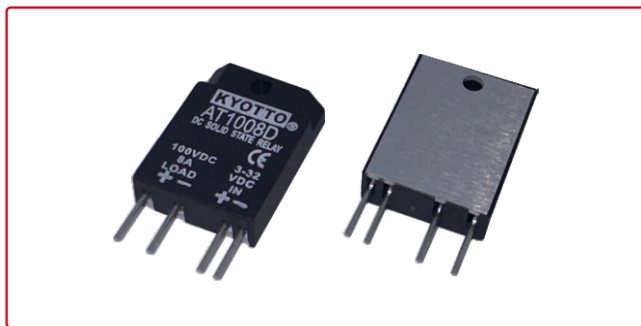


固態繼電器 SOLID STATE RELAY

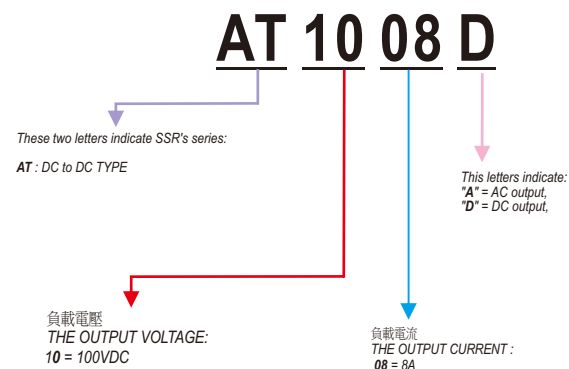
AT1008D

AT10 SERIES

勝特力電材超市-龍山店 886-3-5773766
 勝特力電材超市-光復店 886-3-5729570
 勝特力電子(上海) 86-21-34970699
 勝特力電子(深圳) 86-755-83298787
<http://www.100y.com.tw>



型號索引說明 Model No. Descriptions:



產品摘錄 PRODUCT SELECTON

輸出規格 OUTPUT SPECIFICATIONS

品名	Description	AT1008D
負載電壓範圍	Operating Voltage [VDC]	3-100VDC
最大負載電流 (25°C)	Max Load Current (25°C)	8A
破壞電壓	Maximum Transient Overvoltage [Vpk]	100
洩露電流	Maximum Off-State Leakage Current @Rated Voltage [mA]	Less 0.1mA
最大瞬間承受電流	Maximum Surge Current [Adc] (10ms)	16A
常態導通電阻	Typical On resistance (I _v =10mA, I _v =Max. Within 1s) Ron	0.01Ω
最大導通電阻	Maximum On resistance (I _v =10mA, I _v =Max. Within 1s) Ron	0.03Ω

輸入規格 INPUT SPECIFICATIONS

品名	Description	AT1008D
控制電壓範圍	Control Voltage Range	3-32VDC
最小導通電壓	Minimum Turn-on Voltage	2.0
最小關斷電壓	Minimum Turn-off Voltage	1.0
輸入電流	Typical Input Current	15mA
最大動作時間	Maximum Turn-on Time [mSec]	Less 2.5m Sec
最大關斷時間	Maximum Turn-off Time [mSec]	Less 0.5m Sec

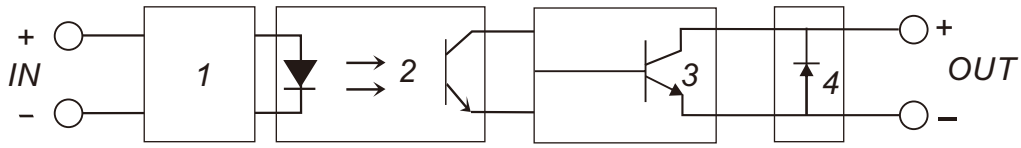
一般規格 GENERAL SPECIFICATIONS

品名	Description	AT1008D
輸入/輸出至外殼絕緣電壓	Dielectric Strength , Input-Output Base (50/60Hz)	-
輸入/輸出絕緣電壓	Dielectric Strength , Input-Output (50/60Hz)	2500
絕緣電阻	Minimum Insulation Resistance	10 ⁹ ohm
工作溫度範圍	Ambient Operating Temperature Range	-20°C~+80°C
儲存溫度範圍	Ambient Storage Temperature Range	-40°C~+100°C
觸發方式	Switching Type	MOSFET
重量	Weight (g)	10g

GENERAL NOTES

- (1) All parameters at 25°C unless otherwise specified
- (2) Dielectric strength and insulation resistance are measured between input and output
- (3) Heat sinking require ,for derating curves see next page.

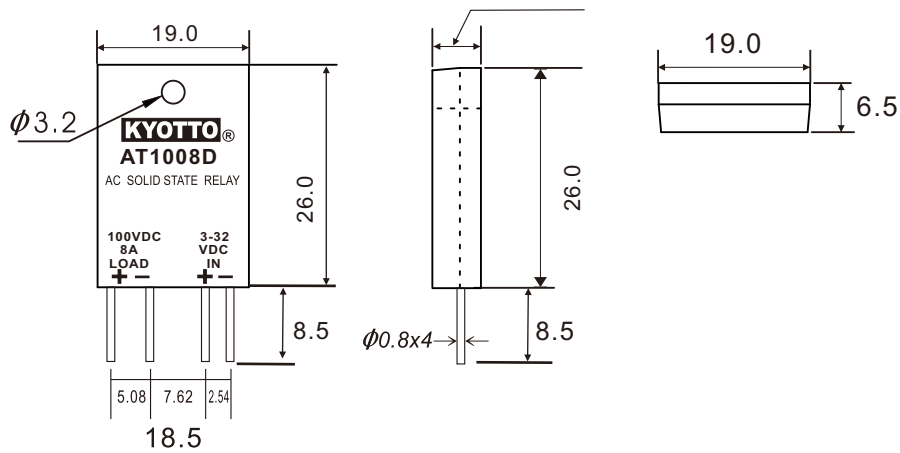
等效電路圖 EQUIVALENT CIRCUIT



勝特力電材超市-龍山店 886-3-5773766
 勝特力電材超市-光復店 886-3-5729570
 勝特力电子(上海) 86-21-34970699
 勝特力电子(深圳) 86-755-83298787
<http://www.100y.com.tw>

- 1.INPUT CIRCUIT
- 2.PHOTO DETECTOR
- 3.AMPLIFIER
- 4.PROTECTED CIRCUIT

外觀尺寸圖 MECHANICAL DIMENSIONS (Unit:mm) ± 0.5mm



特性曲線圖 CHARACTERISTIC CURVES

