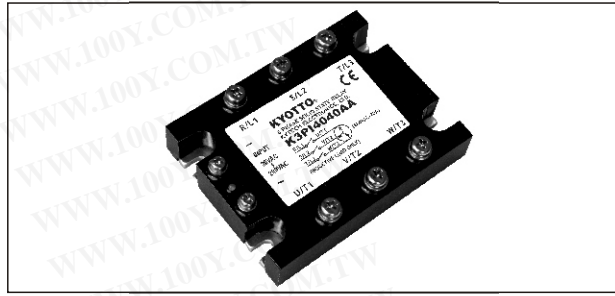


AC SOLID STATE RELAY

K3P40R25AA K3P40R75AA
K3P40R40AA K3P40R90AA
K3P40R50AA K3P40R100AA

(INDUCTIVE LOAD ONLY)
3 PHASE SERIES



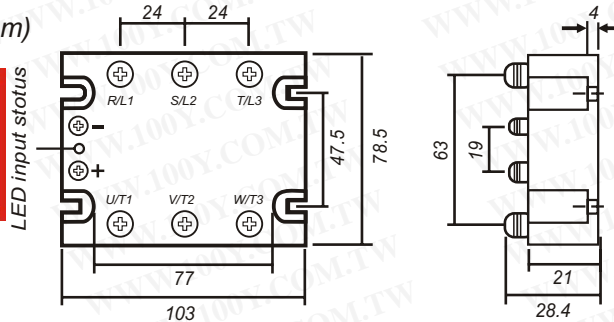
SPECIFICATIONS

MODEL NO.	CONTROL VOLTAGE RANGE	MUST TURN OFF VOLTAGE	INPUT IMPEDANCE	MAX LOAD CURRENT	LOAD VOLTAGE RANGE	MIN BLOCKING VOLTAGE	MAX OFF-STATE LEAKAGE	FREQUENCY RANGE	MAX 1-CYCLE PEAK SURGE
K3P40R25AA	80~280VAC	MAX9.5VDC	1.5Kohm	25A	48~480VAC	1200VAC	LESS 10 mA	47~63HZ	250A
K3P40R40AA	80~280VAC	MAX9.5VDC	1.5Kohm	40A	48~480VAC	1200VAC	LESS 10 mA	47~63HZ	400A
K3P40R50AA	80~280VAC	MAX9.5VDC	1.5Kohm	50A	48~480VAC	1200VAC	LESS 10 mA	47~63HZ	500A
K3P40R75AA	80~280VAC	MAX9.5VDC	1.5Kohm	75A	48~480VAC	1200VAC	LESS 10 mA	47~63HZ	700A
K3P40R90AA	80~280VAC	MAX9.5VDC	1.5Kohm	90A	48~480VAC	1200VAC	LESS 10 mA	47~63HZ	900A
K3P40R100AA	80~280VAC	MAX9.5VDC	1.5Kohm	100A	48~480VAC	1200VAC	LESS 10 mA	47~63HZ	1000A

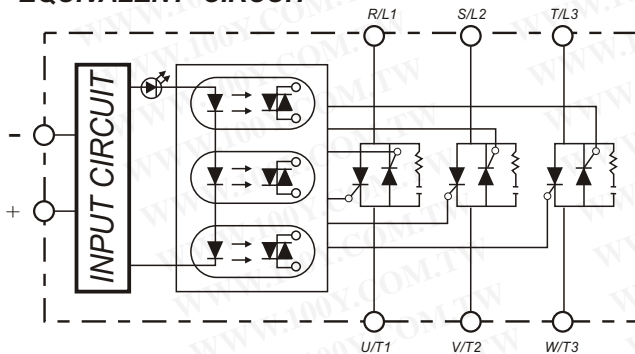
MODEL NO.	MAX OFF STATE dv/dt	MAX ON-STATE VOLTAGE DROP	ISOLATE IMPEDENCE	DIELECTRIC STRENGTH INPUT-OUTPUT	DIELECTRIC STRENGTH INPUT-OUTPUT-CASE	TURN ON TIME	TURN OFF TIME	CAPACITANCE IN-OUT	WEIGHT (g)
K3P40R25AA	500 V/ μ SEC	1.6Vrms	10^9 ohm	2500Vrms	2500Vrms	LESS1/2ACcycle	LESS1/2ACcycle	LESS473pf	600 g
K3P40R40AA	500 V/ μ SEC	1.6Vrms	10^9 ohm	2500Vrms	2500Vrms	LESS1/2ACcycle	LESS1/2ACcycle	LESS473pf	600 g
K3P40R50AA	500 V/ μ SEC	1.6Vrms	10^9 ohm	2500Vrms	2500Vrms	LESS1/2ACcycle	LESS1/2ACcycle	LESS473pf	600 g
K3P40R75AA	500 V/ μ SEC	1.6Vrms	10^9 ohm	2500Vrms	2500Vrms	LESS1/2ACcycle	LESS1/2ACcycle	LESS473pf	600 g
K3P40R90AA	500 V/ μ SEC	1.6Vrms	10^9 ohm	2500Vrms	2500Vrms	LESS1/2ACcycle	LESS1/2ACcycle	LESS473pf	600 g
K3P40R100AA	500 V/ μ SEC	1.6Vrms	10^9 ohm	2500Vrms	2500Vrms	LESS1/2ACcycle	LESS1/2ACcycle	LESS473pf	600 g

OUTLINE DIMENSIONS (unit:mm)

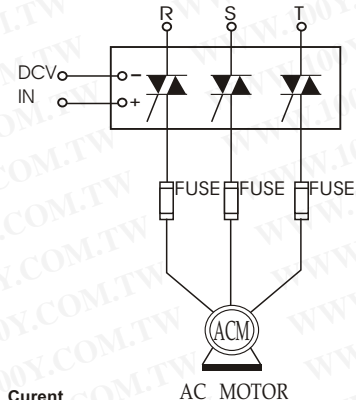
勝特力材料 886-3-5753170
 勝特力电子(上海) 86-21-34970699
 勝特力电子(深圳) 86-755-83298787
[Http://www.100y.com.tw](http://www.100y.com.tw)



EQUIVALENT CIRCUIT



Example of 3 ϕ SSR Application



CHARACTERISTIC CURVES

