

DC SOLID STATE RELAY

KS0602D

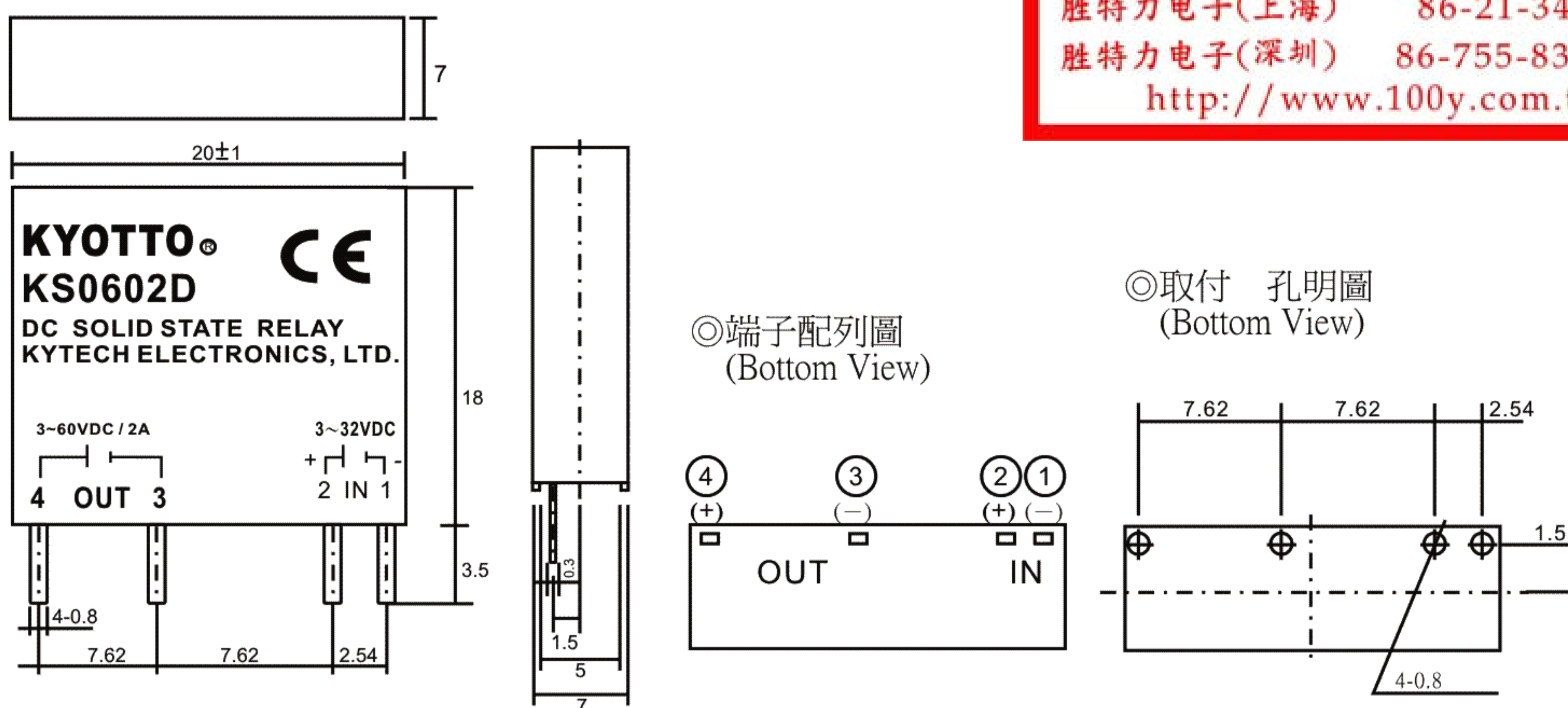
KS SERIES

SPECIFICATIONS

MODEL NO.	CONTROL VOLTAGE RANGE	MUST TURN OFF VOLTAGE	INPUT IMPEDANCE	MAX LOAD CURRENT	LOAD VOLTAGE RANGE	MIN BLOCKING VOLTAGE	MAX OFF-STATE LEAKAGE	FREQUENCY RANGE	MAX 1-CYCLE PEAK SURGE
KS0602D	3 TO 32 VDC	MAX 1.0 VDC	1.5 Kohm	2A	3~60VDC	600VAC	LESS 5 mA	47-70HZ	20A

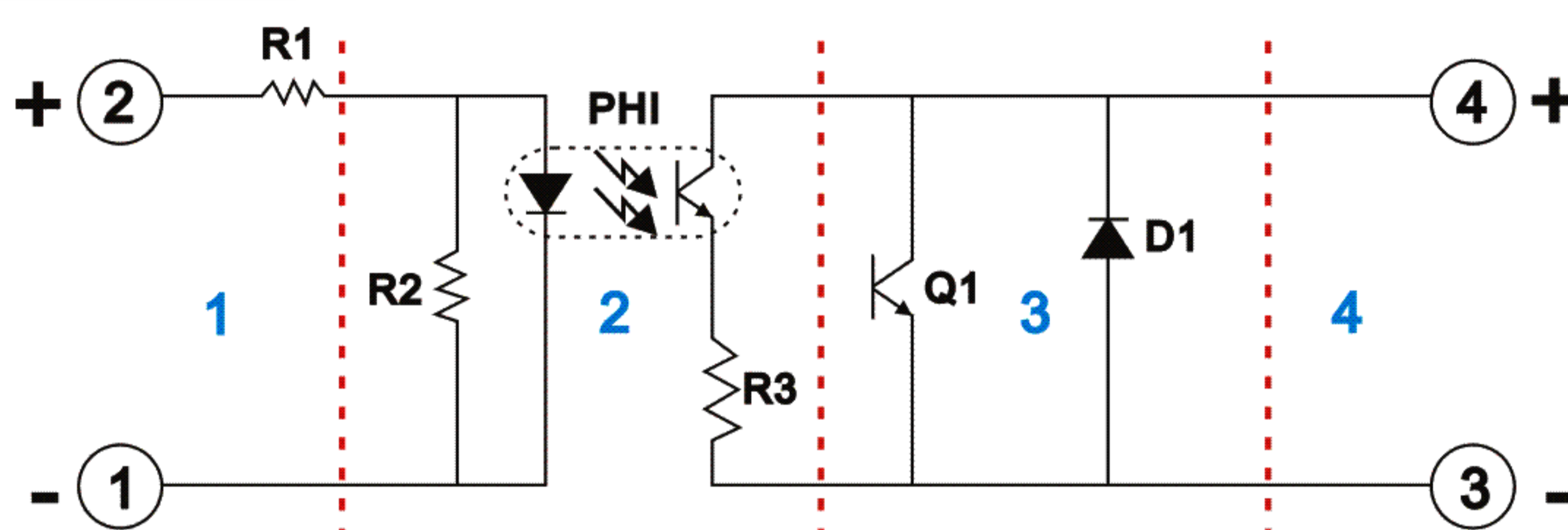
MODEL NO.	MAX OFF STATE dv/dt	MAX ON-STATE VOLTAGE DROP	ISOLATE IMPEDENCE	DIELECTRIC STRENGTH INPUT-OUTPUT	DIELECTRIC STRENGTH INPUT,OUTPUT-CASE	TURN ON TIME	TURN OFF TIME	CAPACITANCE IN-OUT	WEIGHT (g)
KS0602D	100 V/ μ SEC	1.5VAC	10 ⁹ ohm	2500 VACrms		LESS 2 mSec	LESS 1/2 AC CYCLE	LESS 15 PF	6g

OUTLINE DIMENSIONS (unit:mm)



勝特力電材超市-龍山店 886-3-5773766
 勝特力電材超市-光復店 886-3-5729570
 勝特力電子(上海) 86-21-34970699
 勝特力電子(深圳) 86-755-83298787
<http://www.100y.com.tw>

EQUIVALENT CIRCUIT



- 1.INPUT CIRCUIT
- 2.PHOTO DETECTOR
- 3.PROTECTED CIRCUIT
- 4.OUTPUT CIRCUIT

CHARACTERISTIC CURVES

