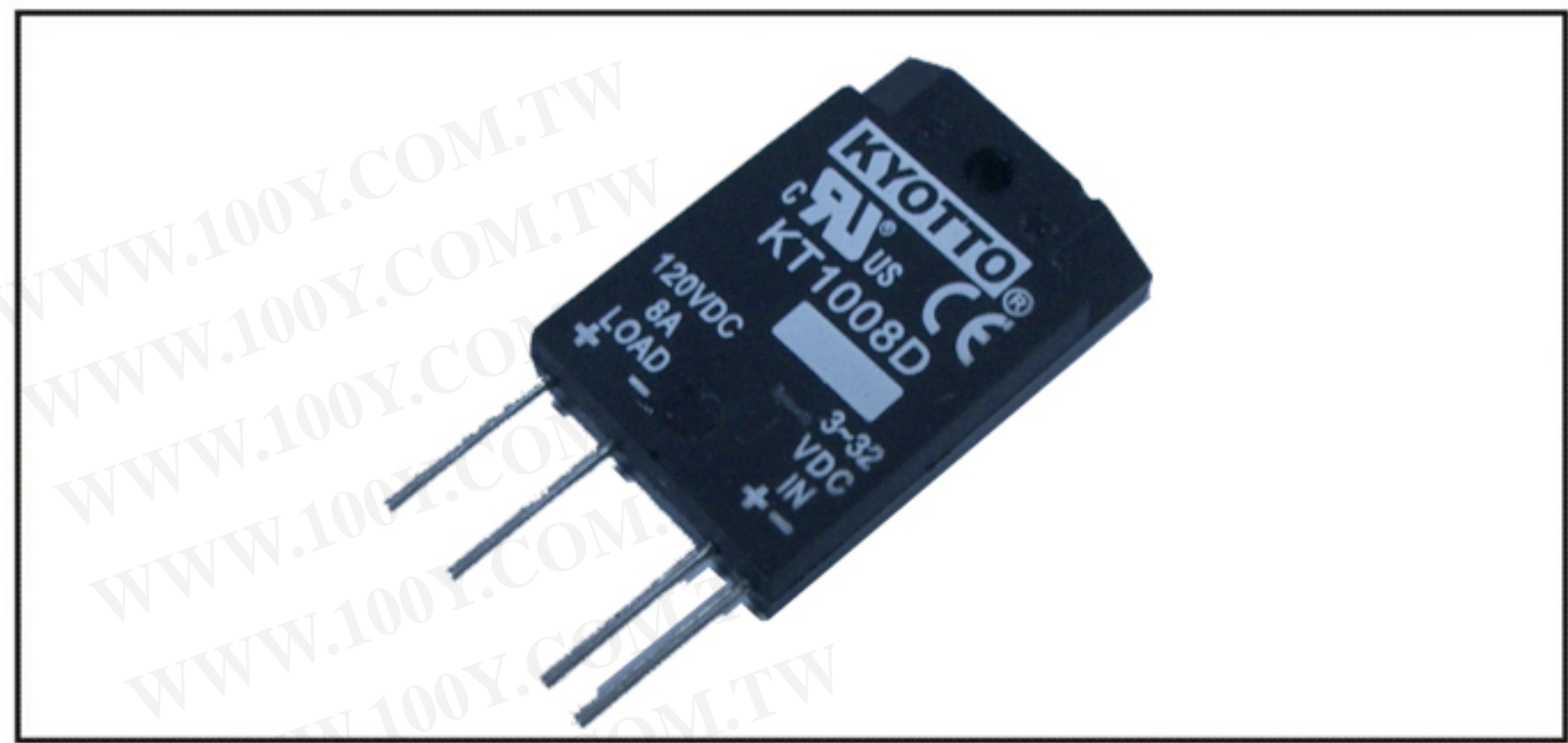


DC SOLID STATE RELAY

KT1008D

KF SERIES

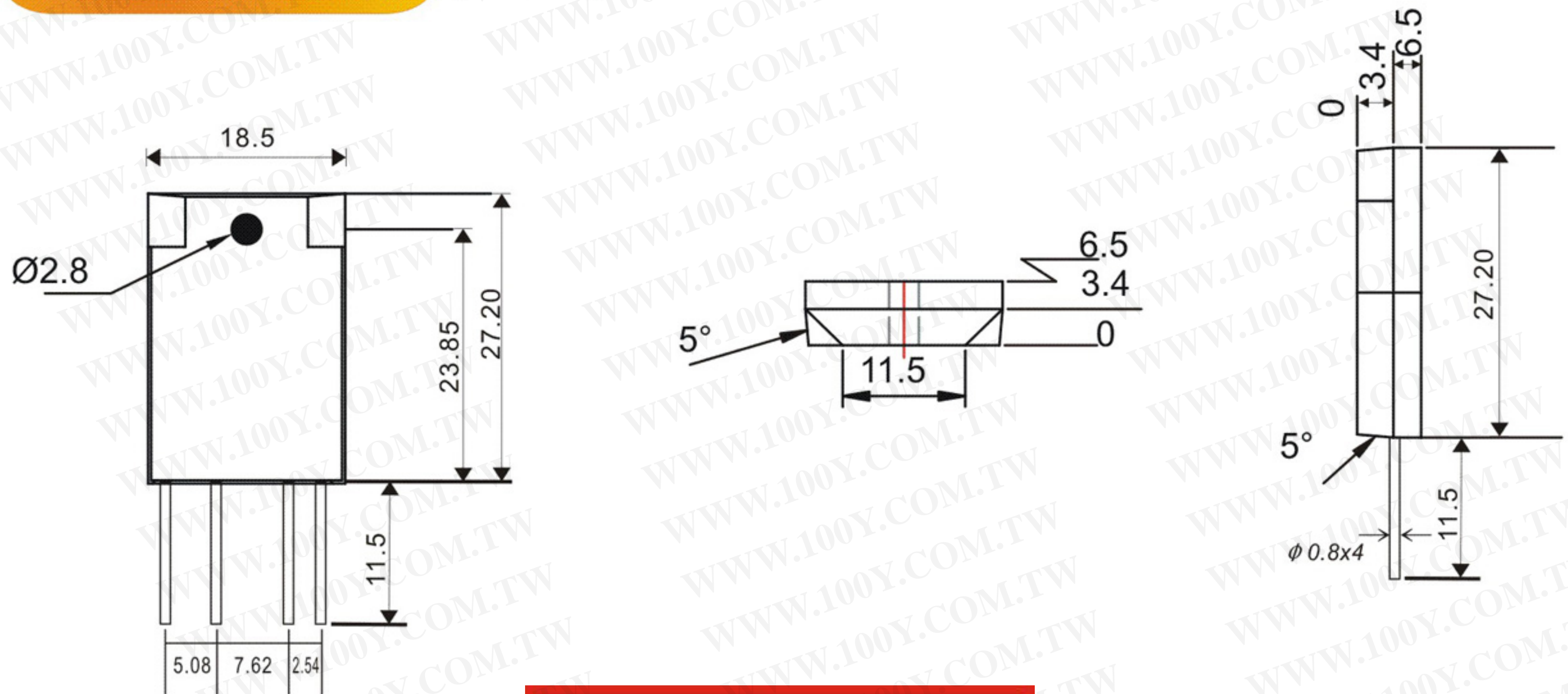


SPECIFICATIONS

MODEL NO.	CONTROL VOLTAGE RANGE	MUST TURN OFF VOLTAGE	INPUT IMPEDANCE	MAX LOAD CURRENT	LOAD VOLTAGE RANGE	MIN BLOCKING VOLTAGE	MAX OFF-STATE LEAKAGE	FREQUENCY RANGE	MAX 1-CYCLE PEAK SURGE
KT1008D	3 TO 32 VDC	MAX1.0 VDC	1.5Kohm	8A	3~100VDC	400VDC	LESS 1 mA	47~70HZ	80A

MODEL NO.	MAX OFF STATE dv/dt	MAX ON-STATE VOLTAGE DROP	ISOLATE IMPEDENCE	DIELECTRIC STRENGTH INPUT-OUTPUT	DIELECTRIC STRENGTH INPUT,OUTPUT-CASE	TURN ON TIME	TURN OFF TIME	CAPACITANCE IN-OUT	WEIGHT (g)
KT1008D	200 V/ μ SEC	1.2Vrms	10 ⁹ ohm	2500Vrms	—	LESS 2mSec	LESS1/2cycle	LESS15pf	10 g

OUTLINE DIMENSIONS (unit:mm)



勝特力材料 886-3-5753170
 勝特力电子(上海) 86-21-54151736
 勝特力电子(深圳) 86-755-83298787
[Http://www.100y.com.tw](http://www.100y.com.tw)

EQUIVALENT CIRCUIT

