

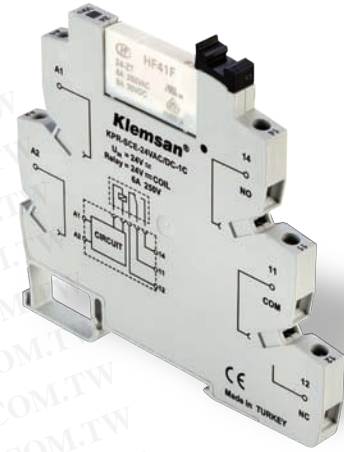
KPR-SCE Interface Relay

- 24/110 and 220VAC/DC models
- Easy installation with cross connection
- Width 6.2 mm
- LED indicator
- Easy dislocation of the relay
- Long switching life

勝特力材料 886-3-5753170
勝特力电子(上海) 86-21-34970699
勝特力电子(深圳) 86-755-83298787
[Http://www.100y.com.tr](http://www.100y.com.tr)

Klemsan[®]
www.klemsan.com.tr

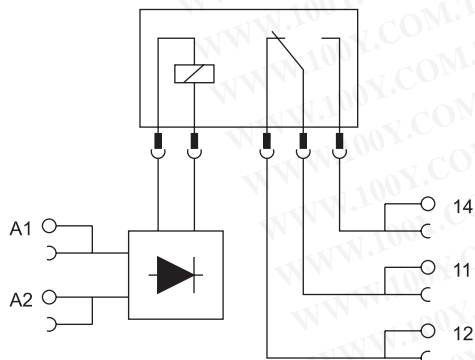
KPR-SCE Interface Relay



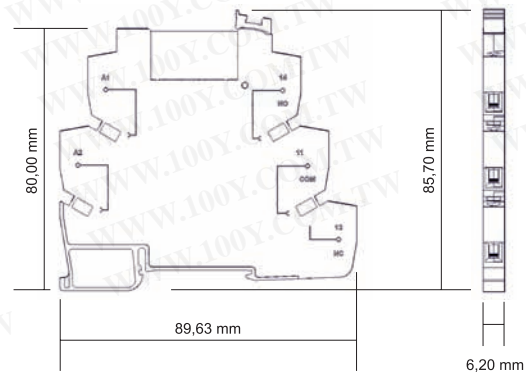
Type	Input Type	Order No
KPR-SCE-24VAC/DC-1C	24V AC/DC	270 810
KPR-SCE-115VAC/DC-1C	115V AC/DC	270 840
KPR-SCE-230VAC/DC-1C	230V AC/DC	270 850

Contact type	1 CO
Contact material	AgSnO ₂
Contact rating (cosφ=1)	6A 250VAC / 30VDC
Max. switching voltage	400VAC / 125VDC
Max. switching current	6A
Max. switching power	1500VA / 180W
Mechanical life	1 x 10 ⁷ operations
Electrical life (UL approval)	(NO) 3 x 10 ⁴ operations (85°C) (NC) 1 x 10 ⁴ operations (85°C)
Isolation resistance	1000MΩ (500VDC)
Dielectric strength	
between relay coil and contacts	4000VAC 1 minute
between relay contacts	1000VAC 1 minute
Operate time (at nominal voltage)	10msn max
Release time (at nominal voltage)	5msn max
Humidity	%5 .. %85 (non-condensing)
Operating temperature	-40°C .. +85°C
Input voltage (U _N)	24V, 115V, 230V (AC/DC)
Operate voltage	%80 x U _N
Release voltage	%20 x U _N
Relay type (coil)	
24V (AC/DC)	24VDC, 170mW
115V, 230V (AC/DC)	60VDC, 210mW
Relay indicator	Green LED
Connection type	Screw terminals
Max. cable cross-section	2.5mm ²
Max. torque	0.4Nm
Mounting type	Rail mounted
Mounting rail	MR 35 x 7.5 / MR 35 x 15
Packaging unit	10 pcs

Block Diagram



Dimensions



勝特力材料 886-3-5753170
 勝特力电子(上海) 86-21-34970699
 勝特力电子(深圳) 86-755-83298787
[Http://www.100y.com.tw](http://www.100y.com.tw)