

MEISHUO_MPA 系列 PCB 繼電器

勝特力材料 886-3-5753170
勝特力电子(上海) 86-21-34970699
勝特力电子(深圳) 86-755-83298787
[Http://www.100y.com.tw](http://www.100y.com.tw)



1.Relay feature:

- 15A switching capability
- 1 form A and 1 form C configurations
- Subminiature, standard PCB layout
- Sealed IP67 and flux proof types available
- Environmental friendly product available(RoHS compliant)
- Outline Dimensions:(18.7*15*15.2)mm

2.Specification:

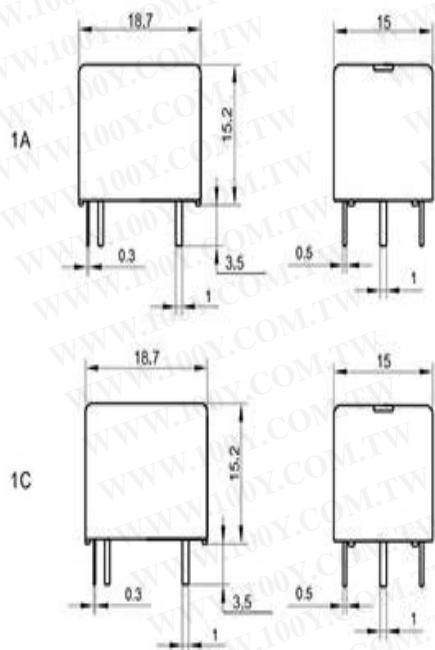
characteristics	
Contact Form	1A 1C
Contact Resistance	100mΩ(1A 6VDC)
Contact material	Silver Alloy
Contact Rating	15A 14VDC/125VAC,10A 30VDC/250VAC
Max.Switching Current	15A,10A
Max.Switching voltage	250VAC/30VDC
Electrical life	100000 ops
Mechanical Life	1000000 ops
Initial insulation resistance	1000MΩ
Dielectric strength	1500VAC/750VAC

Operate Time	≤10ms
Release Time	≤5ms
Ambient temperature	-40°C~+85°C
Termination	PCB
Construction	Sealed
Coil Power	0.36w,0.45w,0.6w,0.8w
Certificates	UL,TUV,CQC,ROHS,REACH,TV-5
Unit Weight	10g

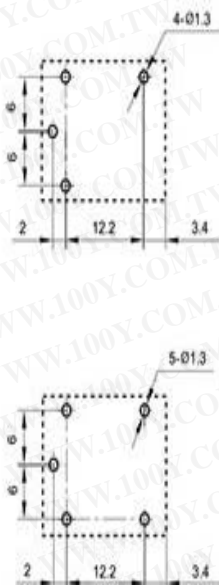
4. Drawing:

勝特力材料 886-3-5753170
 勝特力电子(上海) 86-21-34970699
 勝特力电子(深圳) 86-755-83298787
[Http://www.100y.com.tw](http://www.100y.com.tw)

外形图 Outline Dimensions



安装孔尺寸PCB Layout
(底视图)(Bottom view)



接线图 Wiring Diagram
(底视图)(Bottom view)

