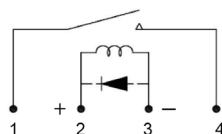


General Purpose SIP Reed Relay

RoHS
Compliant



Schematic View



Features

- SIP 1 Form A 10W molded dry reed relay
- Low cost switching solutions
- Optional internal coil suppression diode

Contact Form: Normally Open / 1 Form A

勝特力材料 886-3-5753170
 勝特力电子(上海) 86-21-34970699
 勝特力电子(深圳) 86-755-83298787
[Http://www.100y.com.tw](http://www.100y.com.tw)

Coil Data

Nominal Coil Voltage	Nominal Coil Resistance	Max. Operating Voltage	Min. Release Voltage	Max. Coil Voltage
(V DC)	± 10% Ω	(V DC)	(V DC)	(V DC)
5	500	3.75	0.4	7
12	1000	9	1	16
24	2000	18	2	32

Contact Rating

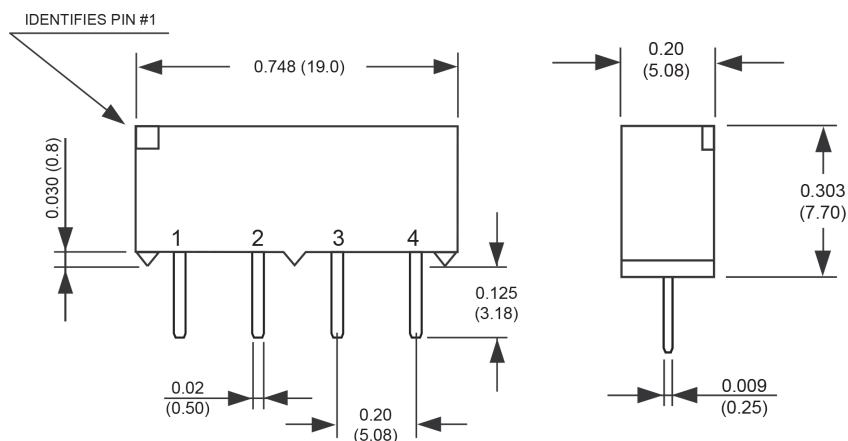
Switching Power (Max.)	: 10W
Switching Voltage (Max.)	: 150V DC
Switching Current (Max.)	: 0.5A
Carrying Current (Max.)	: 1A

Specifications

Contact Resistance (Initial) (Max.)	: 200mΩ
Operate Time - Including Bounce Time (Typ.)	: 0.35ms (@ Nominal Voltage)
Release Time (Typ.)	: 0.2ms
Insulation Resistance @ 100V, 20°C, 40% RH	: 10 ¹⁰ Ω (Min.)
Dielectric Strength (Min.)	: Between Open Contacts 200V DC/peak AC Between Coil to Contacts 1500V DC/peak AC
Capacitance Between Open Contacts (Typ.)	: 0.5pF
Vibration	: 20G
Shock	: 20G
Operating Temperature	: -40°C to +85°C
Storage Temperature	: -40°C to +100°C
Life Expectancy @ Specified Load (Typ.)	: 100 × 10 ⁶ ops (1V DC, 10mA)

General Purpose SIP Reed Relay

Dimensions



Dimensions : Inches (Millimetres)

勝特力材料 886-3-5753170
 勝特力电子(上海) 86-21-34970699
 勝特力电子(深圳) 86-755-83298787
[Http://www.100y.com.tw](http://www.100y.com.tw)

Part Number Table

Description	Part Number
Reed Relay, SPST-NO, 5V DC, 500Ω, 150V DC, 0.5A, THT	MC3570-1331-051
Reed Relay, w/ Diode, SPST-NO, 5V DC, 500Ω, 150V DC, 0.5A, THT	MC3570-1331-053
Reed Relay, w/ Diode, SPST-NO, 12V DC, 1kΩ, 150V DC, 0.5A, THT	MC3570-1331-123
Reed Relay, w/ Diode, SPST-NO, 24V DC, 2kΩ, 150V DC, 0.5A, THT	MC3570-1331-243

Important Notice : This data sheet and its contents (the "Information") belong to the members of the Premier Farnell group of companies (the "Group") or are licensed to it. No licence is granted for the use of it other than for information purposes in connection with the products to which it relates. No licence of any intellectual property rights is granted. The Information is subject to change without notice and replaces all data sheets previously supplied. The Information supplied is believed to be accurate but the Group assumes no responsibility for its accuracy or completeness, any error in or omission from it or for any use made of it. Users of this data sheet should check for themselves the Information and the suitability of the products for their purpose and not make any assumptions based on information included or omitted. Liability for loss or damage resulting from any reliance on the Information or use of it (including liability resulting from negligence or where the Group was aware of the possibility of such loss or damage arising) is excluded. This will not operate to limit or restrict the Group's liability for death or personal injury resulting from its negligence. Multicomp is the registered trademark of the Group. © Premier Farnell Limited 2016.