

Valve Pictures

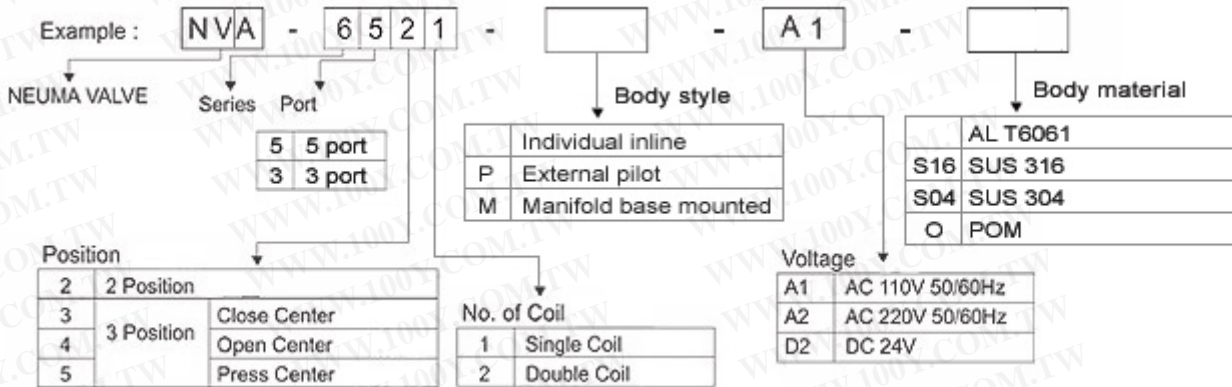
勝特力材料 886-3-5753170
 勝特力电子(上海) 86-21-34970699
 勝特力电子(深圳) 86-755-83298787
[Http://www.100y.com.tw](http://www.100y.com.tw)



Technical Data

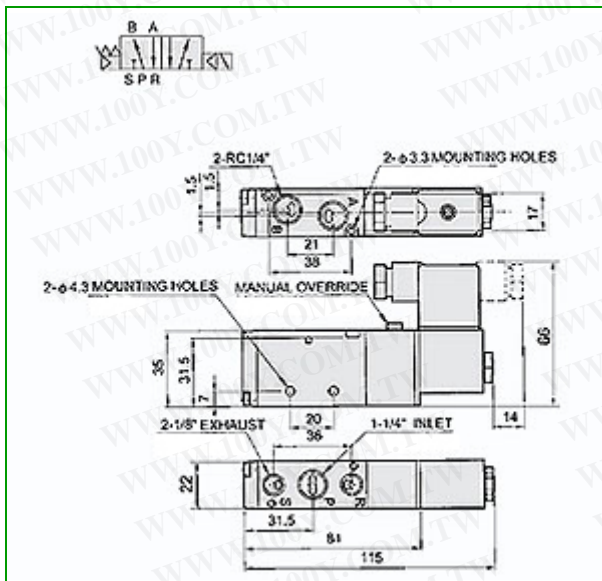
Model	NVA-6521-	NVA-6522-	NVA-6532	NVA-6542-	NVA-6552-
Position	5/2 Way			5/3 Way	
Port size	G1/4" (STD.) or G1/8"				
Effective area	18mm ² (Cv=1.0)			12mm ² (Cv=0.7)	
Nominal flow	1000 NI/min			700 NI/min	
Fluid	Compressed air				
Pressure range	2~10 bar (29~144psi)				
Operating temperature	5~60°C (41~140°F)				
Voltage tolerance	±10%				
Insertion duration	100%				
Class of insulation	Class F				
Portection	IP65				
Weight	0.21 kg	0.31 kg	0.42 kg		

How To Order

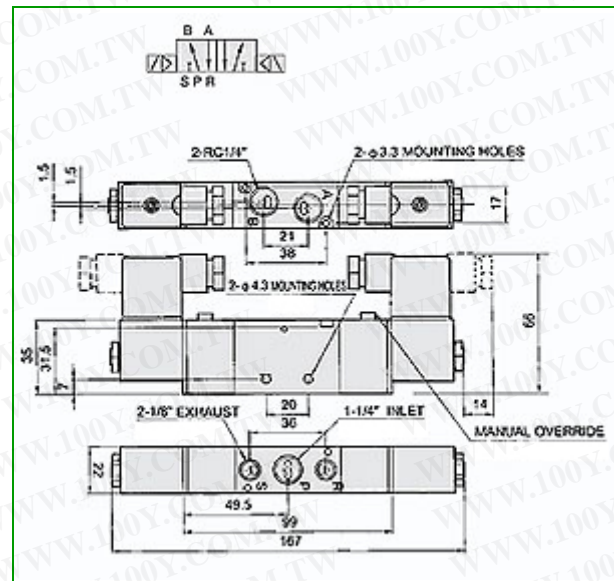


Please advise if you need other voltage or ex-proofcoil.

Dimension



NVA-6521-□



NVA-6522-□

勝特力材料 886-3-5753170
勝特力电子(上海) 86-21-34970699
勝特力电子(深圳) 86-755-83298787
Http://www.100y.com.tw



▶ NVA-6532-□

▶ NVA-6542-□

▶ NVA-6552-□

