

# EMG 10-REL/KSR-G 24/21-LCU

Order No.: 2940359

The illustration shows version EMG 10-REL/KSR-G 24/1-LC, with soldered-in miniature switching relay



勝特力材料 886-3-5753170  
 勝特力电子(上海) 86-21-34970699  
 勝特力电子(深圳) 86-755-83298787  
[Http://www.100y.com.tw](http://www.100y.com.tw)

<http://eshop.phoenixcontact.de/phoenix/treeViewClick.do?UID=2940359>

Relay module, with soldered-in miniature switching relay, contact (AgNi): Medium to large loads, 1 PDT, input voltage 24 V DC, turned by 180°



## Commercial data

GTIN (EAN)	 4 017918 080051
sales group	G031
Pack	10 pcs.
Customs tariff	85364190
Catalog page information	Page 124 (IF-2009)

## Product notes

WEEE/RoHS-compliant since:  
08/10/2006



<http://www.download.phoenixcontact.com>  
 Please note that the data given here has been taken from the online catalog. For comprehensive information and data, please refer to the user documentation. The General Terms and Conditions of Use apply to Internet downloads.

## Technical data

### Coil side

Nominal input voltage $U_N$	24 V DC
Input voltage range in reference to $U_N$	0.8 ... 1.1

Nominal input current at $U_{IN}$	21 mA
Typical response time	7 ms
Typical release time	11 ms
Operating voltage display	Yellow LED
Type of protection	Protection against polarity reversal
Protective circuit/component	Polarity protection diode
<b>Contact side</b>	
Contact type	Single contact, 1-PDT
Contact material	AgNi
Maximum switching voltage	250 V AC/DC
Maximum inrush current	8 A
Limiting continuous current	6 A
Interrupting rating (ohmic load) max.	140 W (at 24 V DC) 53 W (for 48 V DC) 45 W (for 60 V DC) 35 W (for 110 V DC) 55 W (for 220 V DC) 1500 VA (for 250 V AC)
<b>General data</b>	
Width	10.6 mm
Height	75 mm
Depth	62.5 mm
Test voltage relay winding/relay contact	4 kV AC (50 Hz, 1 min.)
Ambient temperature (operation)	-20 °C ... 40 °C
Ambient temperature (storage/transport)	-20 °C ... 70 °C
Operating mode	100% operating factor
Mechanical service life	Approx. $2 \times 10^7$ cycles
Standards/regulations	IEC 60664 EN 50178 IEC 62103
Rated surge voltage / insulation	Basic insulation
Pollution degree	2
Surge voltage category	III
Mounting position	Any
Assembly instructions	In rows with zero spacing

**Connection data**

Type of connection	Screw connection
Conductor cross section solid min.	0.2 mm <sup>2</sup>
Conductor cross section solid max.	4 mm <sup>2</sup>
Conductor cross section stranded min.	0.2 mm <sup>2</sup>
Conductor cross section stranded max.	2.5 mm <sup>2</sup>
Conductor cross section AWG/kcmil min.	24
Conductor cross section AWG/kcmil max	12
Stripping length	8 mm
Screw thread	M3

**Certificates / Approvals**



Certification

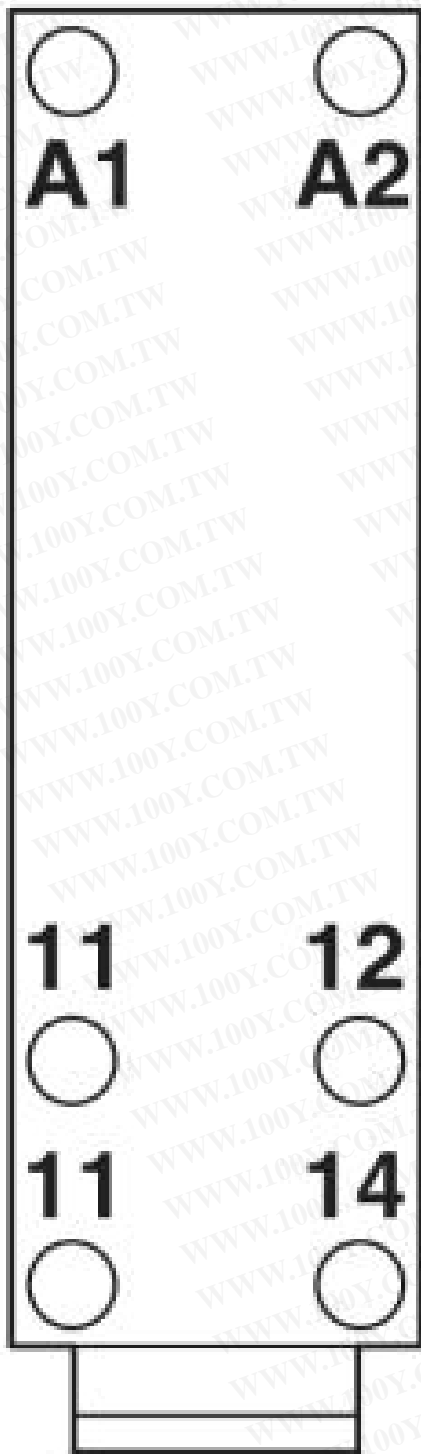
CUL, GOST, UL

**Accessories**

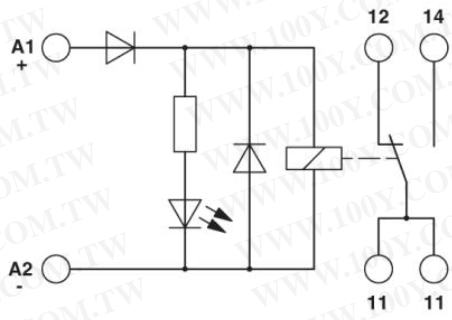
Item	Designation	Description
<b>Marking</b>		
2947585	EMG-SGKS 10	Equipment marker, narrow

Diagrams/Drawings

Connection diagram



Circuit diagram



勝特力材料 886-3-5753170  
勝特力电子(上海) 86-21-34970699  
勝特力电子(深圳) 86-755-83298787  
[Http://www.100y.com.tw](http://www.100y.com.tw)

