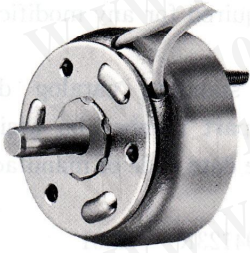


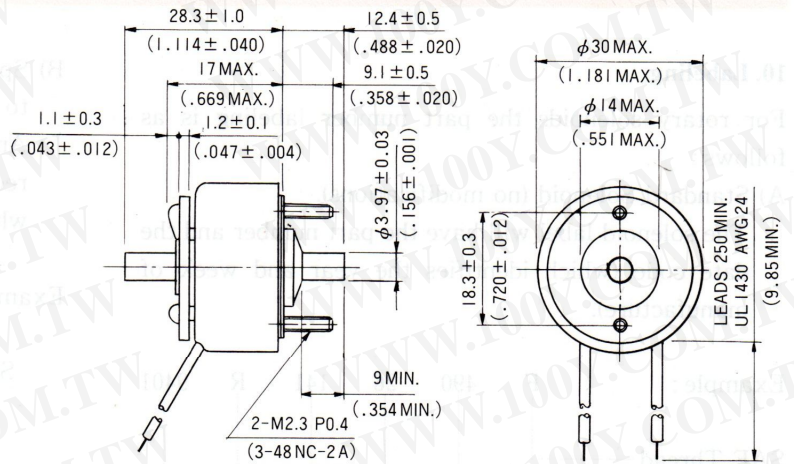
SIZE301 ROTARY SOLENOID

UNIT : $\frac{\text{mm}}{\text{inch}}$

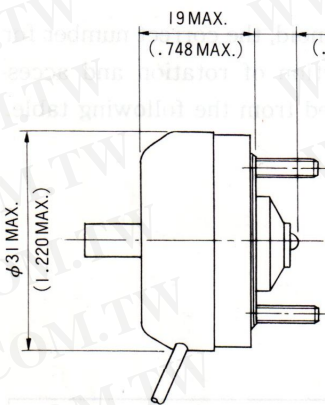
SHOWN DE-ENERGIZED, RIGHT HAND ROTATION



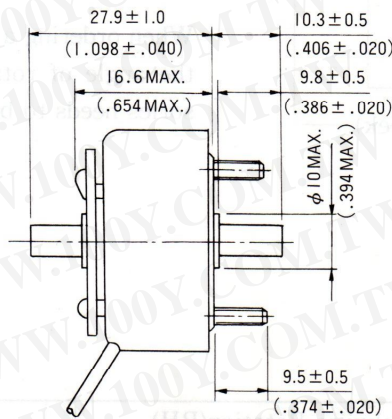
WEIGHT (ABD&R) : 56g



WITH A,B&R

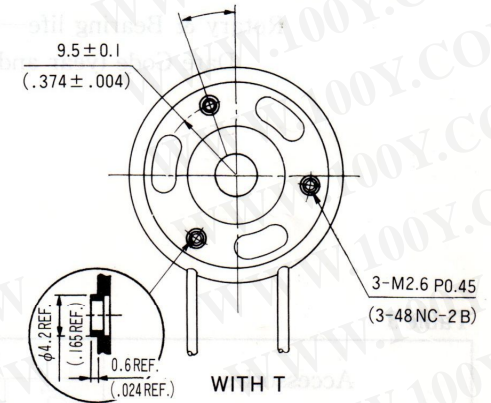


WITH A,D&R



WITH A&B

1/2 ROTATION ANGLE ± 3° TO LEFT OF CENTER FOR R.H. ROTATION, RIGHT OF CENTER FOR L.H. ROTATION.



WITH T

COIL DATA

Heat sink : 90×90×3mm aluminum

Return spring torque : 0.0055~0.009 N·m

duty cycle = $\frac{\text{"on" time}}{\text{"on" time} + \text{"off" time}} \times 100\%$			100% continuous	75% or less	50% or less	25% or less	10% or less
MAX. "on" time in seconds			∞	105	100	36	7
watts at 20°C			7	9.3	14	28	70
ampere-turns at 20°C			425	490	602	849	1350
gross starting torque at 20°C (N·m)			25°	0.022	0.035	0.046	0.069
			35°	0.017	0.022	0.035	0.058
			45°	0.012	0.014	0.021	0.035
AWG no.	resistance $\Omega \pm 10\%$ (at 20°C)	no. turns	volts DC				
26	1.96	231	3.5	4.1	5	7.1	11
27	3.16	296	4.5	5.1	6.3	8.9	14
28	5.1	378	5.6	6.5	8	11	18
29	6.94	423	7.1	8.1	10	14	22
30	11	530	8.9	10	13	18	28
31	16.9	649	11	12	16	22	36
32	28.3	858	14	16	20	28	45
33	42.8	1036	18	20	25	35	56
34	69.6	1312	22	26	32	45	71
35	112	1674	28	32	39	56	89
36	148	1765	35	41	50	71	112
37	221	2090	45	51	63	89	142
38	352	2650	56	65	80	112	178
39	568	3380	71	81	100	141	224
40	882	4200	89	102	126	178	283

勝特力材料 886-3-5753170
 勝特力电子(上海) 86-21-34970699
 勝特力电子(深圳) 86-755-83298787
[Http://www.100y.com.tw](http://www.100y.com.tw)