

SONGLE RELAY

	RELAY ISO9002	SRSB
---	---------------	------



1. MAIN FEATURES

- ó Smallest size (10.2 □ 18.2 □ 14.8 mm) at 10A switching capacity relay for high density P.C. board mounting technique.
- ó 1A and 1C contact form available.
- ó Surge resistiveness of 5000V on series relays.
- ó Design conforms to foreign safety standard (UL/CSA).
- ó Selection of plastic insulation material for high temperature and better chemical solution performance.

2. APPLICATIONS

- ó Domestic appliance, office machine, audio equipment, automobile etc.

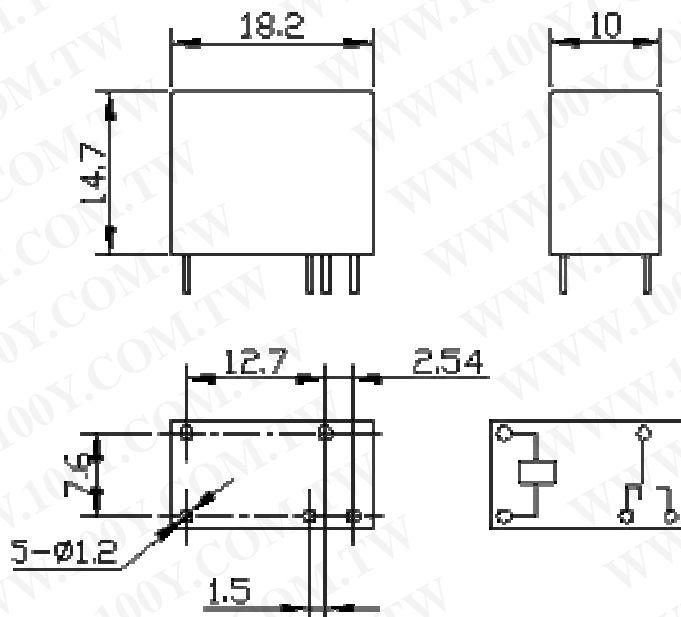
3. ORDERING INFORMATION

SRSB	XX VDC	S	C	L
Model of relay	Nominal coil voltage	Structure	Contact form	Coil sensitivil
SRSB	03,05,06,09,12,18,24VDC	S:Sealed type	A:1 form A	L:0.45W
		F:Flux free type	C:1 form C	H:0.20W

4. RATING

5A/250VAC 30VDC 10A/125VAC 30VDC
 CCC FILE NUMBER; CQC03001003730 10A/250VAC
 UL/CUL FILE NUMBER: E167996 5A/250VAC 30VDC 10A/125VAC 30VDC

5. DIMENSION (unit:mm) DRILLING (unit:mm) WIRING DIAGRAM



6. COIL DATA CHART (AT20 C)

Coil Sensitivity	Coil Voltage Code	Nominal Voltage (VDC)	Nominal Current (mA)	Coil Resistance (Ω)	Power Consumption (W)	Pull-In Voltage (VDC)	Drop-Out Voltage (VDC)	Max-Allowable Voltage (VDC)
SRSB (High Sensitivity)	03	3	67	45	abt. 0.2W Max.	75% Max.	5% Min.	130%
	05	5	42	120				
	06	6	33	180				
	09	9	23	400				
	12	12	18	700				
	18	18	11	1620				
SRSB (Standard)	03	3	150	20				
	05	5	89	56				
	06	6	75	80				
	09	9	50	180				
	12	12	37.5	320				
	18	18	25	720				
	24	24	18.7	1280				

7. CONTACT RATING

Item	Type	SRSB	
		L Type	H Type
Contact Capacity Resistive Load(cosΦ=1)		10A 120VAC	7A 120VAC
Inductive Load (cosΦ=0.4 L/R=7msec)		4A 120VAC 4A 28VDC	2A 120VAC
Referenced Min. Applicable Load		5VDC, 10mA	
Contact Material		AgCdo	

8. PERFORMANCE (at initial value)

Item	Type	SRSB	
		1 Form C	1 Form A
Contact Resistance		100mΩ Max.	
Operation Time		10msec Max.	
Release Time		5msec Max.	
Dielectric Strength	Between coil& contact	2500VAC/1 min	2800VAC/1 min
	Between contacts	1000VAC/1 min	1000VAC/1 min
Surge Resistiveness		5000V	
Insulation Resistance		100 MΩ Min. (500VDC)	
Max. ON/OFF Switching	Mechanically	300 operation/min	
	Electrically	30 operation/min	
Operating Ambient Temperature		-30°C to +60°C	
Operating Humidity		45 to 85% RH	
Coil Temperature Rise		40 deg. Max. (at rated coil voltage)	
Vibration	Endurance	10 to 55HZ Double Amplitude 1.5mm	
	Error Operation	10 to 55HZ Double Amplitude 1.5mm	
Shock	Endurance	100G Min.	
	Error Operation	10G Min.	
Life Expectancy	Mechanically	10 ⁷ ops. Min. (no load)	
	Electrically	10 ⁵ ops. Min. (at rated coil voltage)	
Weight		abt. 9grs.	

9. REFERENCE DATA

