

882



勝特力材料 886-3-5753170
 勝特力电子(上海) 86-21-34970699
 勝特力电子(深圳) 86-755-83298787
[Http://www.100y.com.tw](http://www.100y.com.tw)



»» Features

- 5mm slim type miniature PCB Power Relay.
- High rating 8A 277VAC.
- UL/CUL, VDE approved.
- High dielectric strength up to 4000VAC.
- Special design for interface application and Home Appliances.
- Comply with RoHS-Directive 2002/95/EC.

»» Type List

◆ Standard Type

| Terminal style | Contact form | Designation (provided with) | | |
|----------------|--------------|-----------------------------|-------------|----------------------|
| | | Flux tight | Sealed type | Sealed type washable |
| PCB terminal | 1A (SPNO) | 882-1AH-C | 882-1AH-V | 882-1AH-S |
| | | 882-1AHA-C | 882-1AHA-V | 882-1AHA-S |
| | 1C (SPDT) | 882-1CH-C | 882-1CH-V | 882-1CH-S |
| | | 882-1CHA-C | 882-1CHA-V | 882-1CHA-S |

◆ High Sensitivity Type

| | | | | |
|--------------|--------------|-------------|-------------|-------------|
| PCB terminal | 1A (SPNO) | 882N-1AH-C | 882N-1AH-V | 882N-1AH-S |
| | | 882N-1AHA-C | 882N-1AHA-V | 882N-1AHA-S |
| | 1C (SPDT) | 882N-1CH-C | 882N-1CH-V | 882N-1CH-S |
| | | 882N-1CHA-C | 882N-1CHA-V | 882N-1CHA-S |

»» Ordering Information

882 N - 1C H - F - C
 1 2 3 4 5 6

- | | |
|--|--|
| <p>1. 882 -- Basic series designation</p> <p>2. Blank -- Standard type N -- High sensitivity type</p> <p>3. 1A -- Single pole normally open 1C -- Single pole double throw</p> <p>4. H -- Contact material AgSnO</p> | <p>HA -- Contact material AgSnO+ Au</p> <p>5. Blank -- Standard type F -- Class F</p> <p>6. C -- Flux tight V -- Sealed type S -- Sealed type washable</p> |
|--|--|

»» Contact Rating

| | | | |
|----------------|----------------|----------------|------------------------|
| Resistive load | NC : 6A 240VAC | NO : 8A 240VAC | NC / NO : 6A/6A 240VAC |
|----------------|----------------|----------------|------------------------|



勝特力材料 886-3-5753170
 勝特力电子(上海) 86-21-34970699
 勝特力电子(深圳) 86-755-83298787
[Http://www.100y.com.tw](http://www.100y.com.tw)

»» Coil Rating (DC)

◆ Standard Type

| Rated voltage (V) | Rated current ±10 % at 23°C (mA) | Coil resistance ±10 % at 23°C (Ω) | Max. continuous voltage at 85°C | Pick up voltage(Max) at 23°C | Drop out voltage(Min) at 23°C | Power consumption at rated voltage |
|-------------------|----------------------------------|-----------------------------------|---------------------------------|------------------------------|-------------------------------|------------------------------------|
| 3 | 69.8 | 43 | 160 % of rated voltage | 75 % of rated voltage | 5 % of rated voltage | approx. 0.21W |
| 4.5 | 46.6 | 96 | | | | |
| 5 | 42 | 119 | | | | |
| 9 | 23.3 | 386 | | | | |
| 12 | 17.5 | 686 | | | | |
| 18 | 11.7 | 1,543 | | | | |
| 24 | 8.7 | 2,743 | | | | |
| 48 | 4.4 | 10,971 | | | | |
| 60 | 3.5 | 17,143 | | | | |

◆ High Sensitivity Type

| Rated voltage (V) | Rated current ±10 % at 23°C (mA) | Coil resistance ±10 % at 23°C (Ω) | Max. continuous voltage at 85°C | Pick up voltage(Max) at 23°C | Drop out voltage(Min) at 23°C | Power consumption at rated voltage |
|-------------------|----------------------------------|-----------------------------------|---------------------------------|------------------------------|-------------------------------|------------------------------------|
| 3 | 56.6 | 53 | 160 % of rated voltage | 75 % of rated voltage | 5 % of rated voltage | approx. 0.17W |
| 4.5 | 37.7 | 119 | | | | |
| 5 | 34 | 147 | | | | |
| 9 | 18.8 | 480 | | | | |
| 12 | 14.2 | 847 | | | | |
| 18 | 9.5 | 1,906 | | | | |
| 24 | 7.1 | 3,388 | | | | |

»» Specification

| | | |
|--------------------------------------|--------------------------|------------------------------------|
| Contact material | AgSnO alloy | |
| Contact resistance ⁽¹⁾ | 100mΩ Max. | |
| Operate time ⁽¹⁾ | 10ms Max. | |
| Release time ⁽¹⁾ | 5ms Max. | |
| Insulation resistance ⁽¹⁾ | 100MΩ Min. (DC 500V) | |
| Dielectric strength ⁽¹⁾ | Between open contact | : AC 1000V , 50/60Hz 1 min. (typ.) |
| | Between contact and coil | : AC 4000V , 50/60Hz 1 min. |
| Vibration resistance | Operating extremes | 10~50Hz , amplitude 1.0 mm |
| | Damage limits | 10~50Hz , amplitude 1.0 mm |
| Shock resistance | Operating extremes | 10G |
| | Damage limits | 100G |

| | | |
|-------------------------------|-------------------------|---|
| Life expectancy | Mechanical | 10,000,000 operations (frequency 18,000 operations/hr) |
| | Electrical | 10,000 operations (frequency 360 operations/hr) |
| Operating ambient temperature | -40~+85°C (no freezing) | |
| Weight | Approx. 6 g | |

Note : (1) initial value

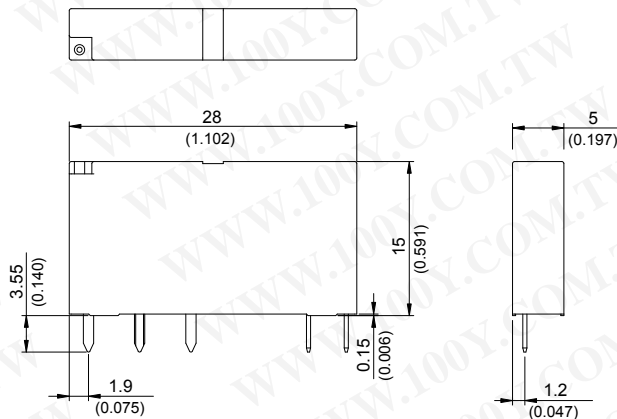
»» Safety Approval

| | | |
|-----------|----------|----------|
| Certified | UL / CUL | VDE |
| File No. | E225821 | 40000971 |

»» Safety Approval Rating

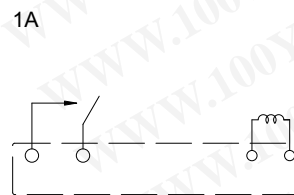
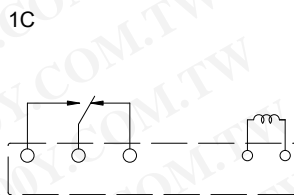
| UL / CUL | | VDE | |
|-------------------------------------|----------------------------------|---------------|---------------|
| NO | NC | NO | NC |
| 8A 277VAC / 6A 24VDC R300 / B300 | 6A 277VAC / 24VDC R300 / B300 | 8A 250VAC T85 | 6A 250VAC T85 |

»» Outline Dimensions



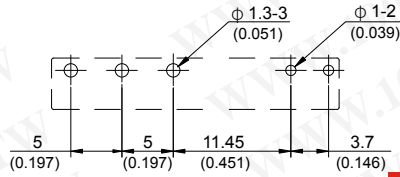
»» Wiring Diagram

BOTTOM VIEW





»» PC Board Layout
BOTTOM VIEW



勝特力材料 886-3-5753170
 勝特力电子(上海) 86-21-34970699
 勝特力电子(深圳) 86-755-83298787
[Http://www.100y.com.tw](http://www.100y.com.tw)

»» Engineering Data

