

繼電器

High Voltage Relay

Features

- Breakdown Voltage is DC.14KV.Since it is a printed circuit board type,itdecreases tiome and effort of mounting sharply.



Order Code

LRL-10 $\overset{a}{X}$ - $\underset{b}{140}$ PCV

a: Coil Voltage 1: 24VDC, 2: 12VDC

b: Breakdown Voltage: DC14KV

Coil Data-Standard Type 1FormA (at 20°C)

Nominal voltage DC \pm 10% [V]	Coil Resistance \pm 10% (ohm)	Nominal Current (mA)	Min. Release Voltage (VDC)	Max. Operate Voltage (VDC)
24	720	33.3	2.4	16.8
12	200	60.0	1.2	8.4

Contact Rating

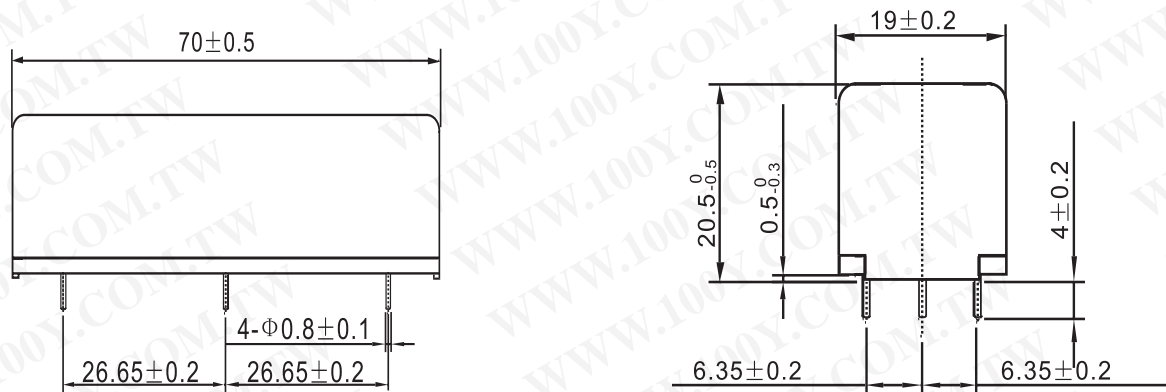
Contact Form	1FormA
Contact Rating	50W
Switching Voltage	DC.10KV
Max.Switching Current	2.0A
Max.Carry Current	3.0A

勝特力材料 886-3-5753170
 勝特力电子(上海) 86-21-34970699
 勝特力电子(深圳) 86-755-83298787
[Http://www.100y.com.tw](http://www.100y.com.tw)

Specification

Contact Resistance	150mΩMAX.(Initial)
Breakdown Voltage	Open contacts DC.14KV MIN Contacts to coil DC.15KV MIN
Insulation Resistance	Open contacts $1 \times 10^9 \Omega$ MIN.(DC.100V) Contacts to coil $1 \times 10^8 \Omega$ MIN.(DC.100V)
Electromotive Capacitance	2.0pF MAX.
Operate Time	(Incl.bounce)4.0 mS MAX.(at Nominal Voltage)
Release Time	2.0mS MAX.(at Nominal Voltage)
Vibration	20G(0~55Hz, 1.5mm)
Shock	30G(11mS, 1/2Sin Wave)
Operating Temperature	-20°C~+70°C
Storage Temperature	-35°C~+90°C
Life Expectancy of Mechanical	1×10^8 MIN. Operations(R.L.)
Life Expectancy of Electrical	DC.10000V-1mA 0.5×10^6 MIN.Operations (R.L.)

Dimensions(Unit:mm)



Wiring Diagrams(Top View)

