

SIL Series

Hi-Voltage Reed Relay

Features

- Insulation coil to contact up to 3KVDC.
- Small size to save space.
- Internal magnetic shield on all relays.



Order Code

SIL- 1A-XX D X
 a b c d

a : Contact Form : 1=1FormA

b : Nominal Coil Voltage : 05=5VDC, 12=12VDC, 24=24VDC

c : Nil=NO Diode D=Diode

d : Nil:standard H:High Voltage

Coil Date-Standard Type1 Form A (at 20°C)

Nominal Voltage DC $\pm 10\%$ [V]	Coil Resistance $\pm 10\%$ [ohm]	Nominal Coil power [mW]	Must Release Voltage MIN. [V] at 20°C	Must Operate Voltage MAX. [V] at 20°C
05	220	114	0.5	3.75
12	500	288	1.2	9.0
24	2000	288	2.4	16.8

Contact Rating

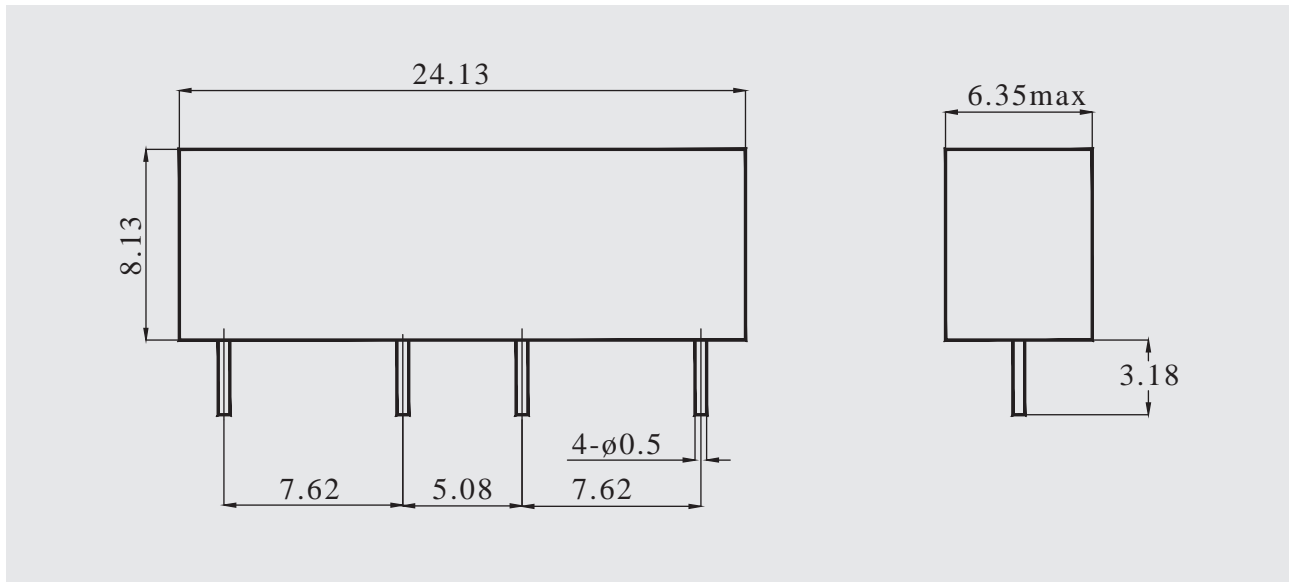
Relay Model	SIL - 1AXXH	SIL - 1AXX
Contact Rating	100W	100W
Switching Voltage	1000V	350VDC / 300VAC
Max. Switching Current	1.0A	1.0A
Max. Carry Current	2.5A	2.5A



Specification

Relay Model	SIL - 1AXXH	SIL - 1AXX
Contact Resistance	150mΩ	150mΩ
Dynamic Contact Resistance	200mΩ	200mΩ
Breakdown Voltage	Contact to Coil	4KVDC
	Open contacts	3KVDC
Insulation Resistance	Open contacts	1x10 ¹³ Ω
	Contacts to Coil	1x10 ¹² Ω
Capacitance (typ.) Open contacts	0.2pF	0.5pF
Operate Time	1.0mS	0.6mS
Release Time	0.25mS	0.25mS
Vibration	20G 10-2000Hz	20G 10-1000Hz
shock	50G	30G
Operating Temperature	-40°C + 85°C	-40°C + 85°C
Storage Temperature	-40°C ~+ 95°C	-40°C ~+ 95°C
Life Expectance	5V, 10mA, 5 X 10 ⁸	1KVDC, 1mA, 1 X 10 ⁶

Dimensions (Unit : mm)



Wiring Diagrams (Top View)

