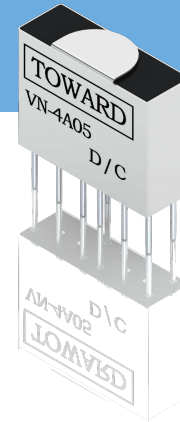


勝特力電材超市-龍山店 886-3-5773766
 勝特力電材超市-光復店 886-3-5729570
 勝特力電子(上海) 86-21-34970699
 勝特力電子(深圳) 86-755-83298787
<http://www.100y.com.tw>

VN-4A Series

Features

- Ultra High density Reed Relays
- High Reliability, hermetically sealed contacts for long life



Order Code

VN-4A XX-X
 a b c d

a: Relay Model
 b: Contact Form: 4A=4FormA
 c: Coil Voltage: 05=05VDC 12=12VDC
 d: Special Code: Nil=Standard, A-Z: Special

Coil Data-Standard Type (at 20°C)

| Part Number | Nominal Voltage Dc±10% [V] | Coil Resistance ±10% [ohm] | Nominal Current [mA] | Must Release Voltage MIN. [V] at 20°C | Must Operate Voltage MAX. [V] at 20°C |
|-------------|-------------------------------|-------------------------------|-------------------------|--|--|
| VN-4A | 05 | 200 | 25.0 | 0.7 | 3.75 |
| | 12 | 700 | 17.1 | 1.2 | 8.8 |

Notes: The VN-4A has two coils, and the Nominal Current is the current of each coil.

Contact Rating

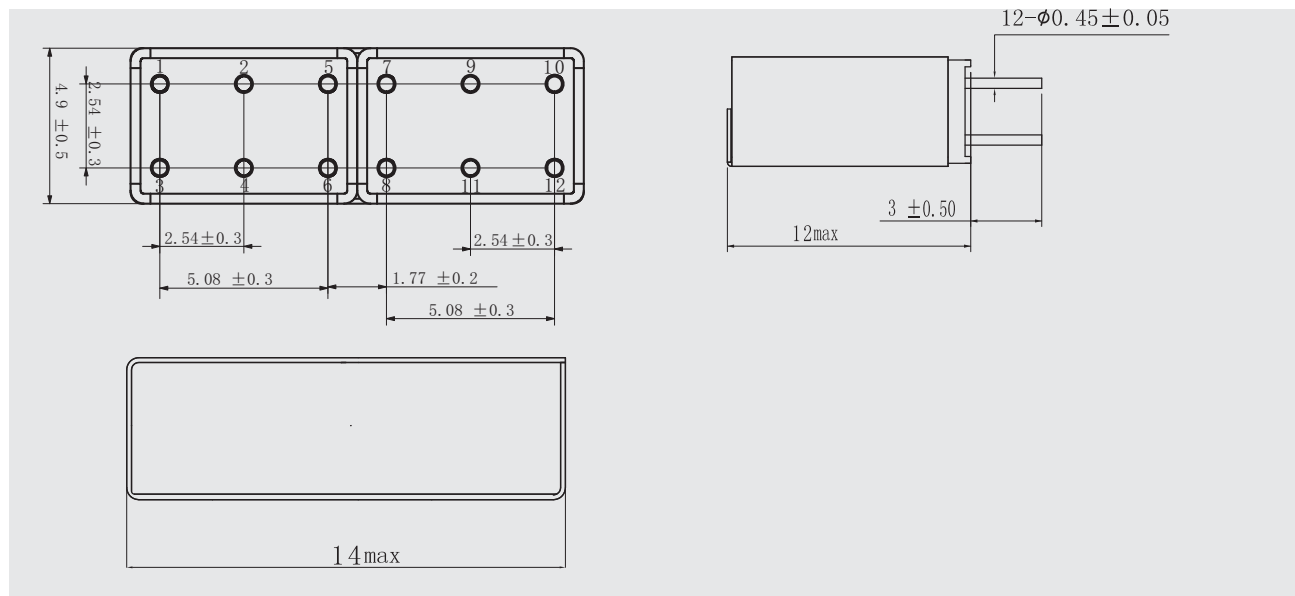
| | | |
|------------------------------|----------------------|--------|
| Relay Model | VN-4A | |
| Contact Rating | 10W | |
| Switching Voltage | 170VDC/120VAC | |
| Max. Switching Current | 0.5A | |
| Max. Carry Current | 1.0A | |
| Contact Resistance | 150mΩ | |
| Contact Resistance Stability | 5mΩ | |
| Breakdown Voltage | Open contacts | 210VDC |
| | Contacts to Contacts | 200VDC |
| | Contacts to Coil | 200VDC |



Specification

| | | |
|--|---------------------------|-------------------------------------|
| Relay Model | VN-4A | |
| Insulation Resistance (at 100VDC 20°C 65%Rh) | $1 \times 10^{12} \Omega$ | |
| Open Contact Capacitance | 0.35pF(Typ) | |
| Operate Time (including Bounce) | 0.5mS(Max) | |
| Release Time | 0.5mS(Max) | |
| Vibration | 20G, 2000Hz | |
| Shock | 50G | |
| Operating Temperature | -40°C~+85°C | |
| Storage Temperature | -40°C~+85°C | |
| Life Expectance | Mechanical | 1×10^9 Operations |
| | Electrical | 1V 10mA, 3×10^8 Operations |

Dimensions (Unit : mm)



Wiring Diagrams(Top View)

