



TR90

MAIN FEATURES

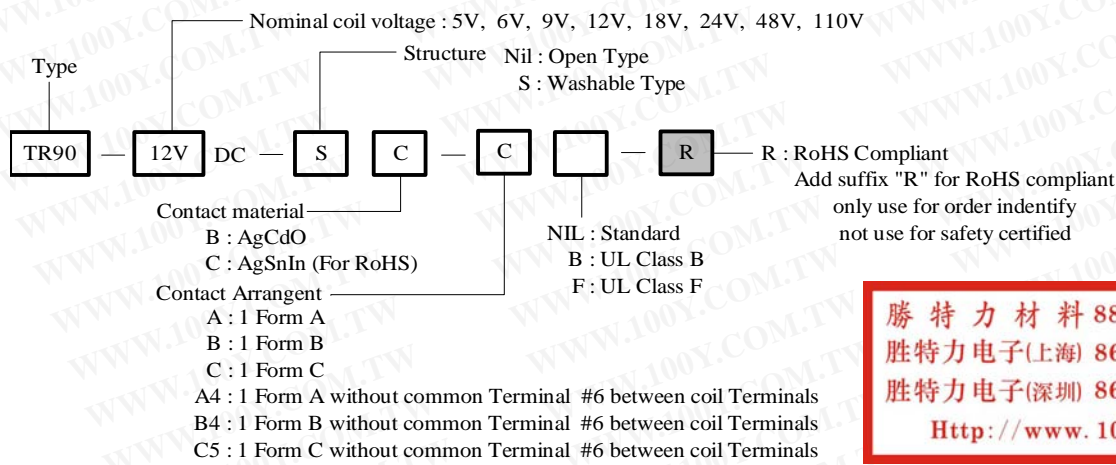
- Up to 30A switching in SPST and 20A switching in SPDT arrangements.
- Available as an open-frame relay, with an immersion cleanable, plastic sealed case.
- Meet UL F Insulation class.
- UL - cUL and TUV recognized.

APPLICATIONS

- Used for power switching, Electrical Heater, ventilator, Air conditioning, Refrigerating, Automobile and House-hold Appliance.

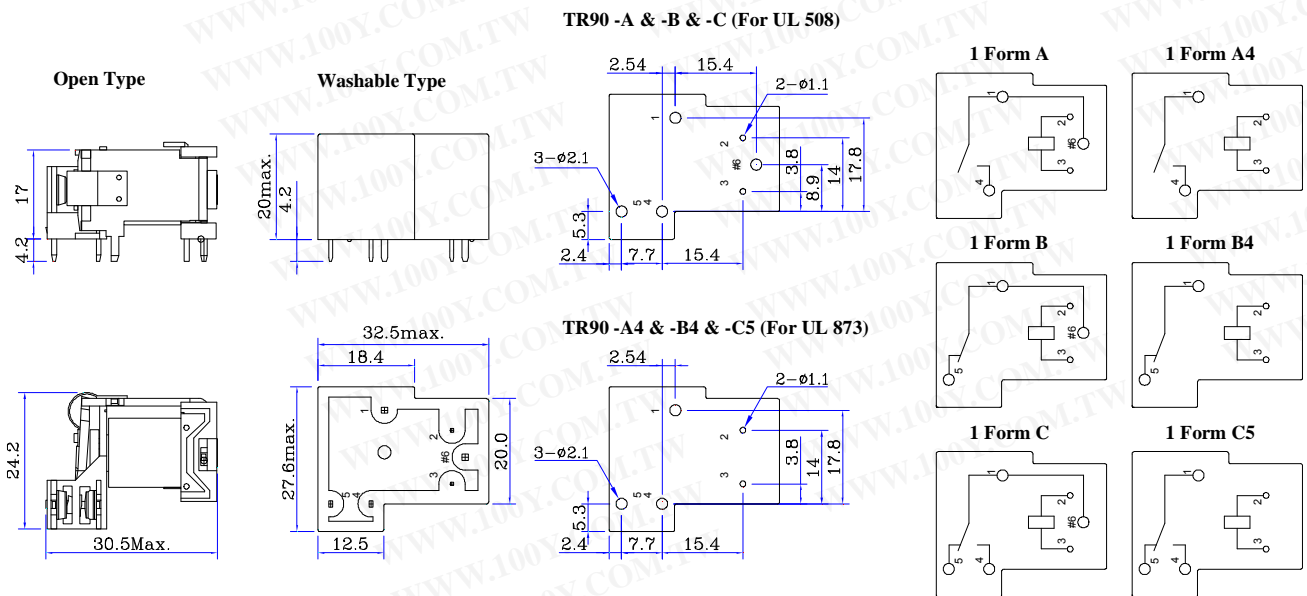


ORDERING INFORMATION



勝特力材料 886-3-5753170
 勝特力电子(上海) 86-21-34970699
 勝特力电子(深圳) 86-755-83298787
[Http://www.100y.com.tw](http://www.100y.com.tw)

DIMENSION (unit:mm) DRILLING (unit:mm) WIRING DIAGRAM



勝特力材料 886-3-5753170
勝特力电子(上海) 86-21-34970699
勝特力电子(深圳) 86-755-83298787
[Http://www.100y.com.tw](http://www.100y.com.tw)

➤ **COIL DATA CHART(at 20°C)**

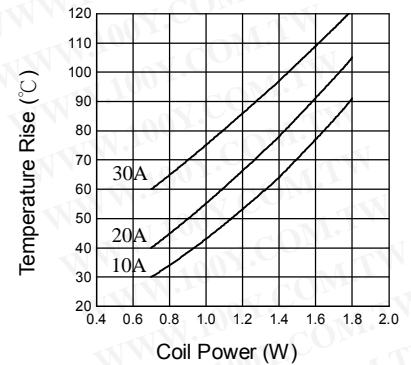
Coil Sensitivity	Nominal Coil Voltage (VDC)	Nominal Current (mA)	Coil Resistance (Ω) $\pm 10\%$	Power Consumption (W)	Pull-In Voltage (VDC)	Drop-Out Voltage (VDC)	Max-Allowable Voltage (VDC)
TR90	5	185	27	abt. 0.93	80% Max.	10% Max.	120%Max.
	6	150	40				
	9	93	97				
	12	77	155				
	18	47	380				
	24	36	660				
	48	19	2560				
	110	8	13450 $\pm 15\%$				

➤ **CONTACT RATING**

Item \ Type	TR90		
	- A / - A4	- C / - C5	
		N/O	N/C
Resistive Load (cos Φ =1) General	UL : 40A 240VAC 30A 277VAC	UL : 40A 240VAC 30A 277VAC	UL : 30A 240VAC 20A 277VAC
	TUV : (*B:AgCdO) 40A/240VAC 14VDC	TUV : (*B:AgCdO) 40A/240VAC 14VDC	TUV : (*B:AgCdO) 30A/240VAC 14VDC
Motor	2HP 250VAC	2HP 250VAC	1.5HP 250VAC
Tungsten	TV-5	TV-5	-

➤ **REFERENCE DATA**

OPEN-STYCLE RELAY,
NO DUST COVER



➤ **PERFORMANCE (at initial value)**

Item \ Type	TR90	
	UL508	UL873
Contact Resistance	100m Ω Max.	
Operation Time	15msec Max.	
Release Time	10msec Max.	
Dielectric Strength Between coil & contact Between contacts	1500VAC 50/60HZ (1 minute) 1500VAC	2500VAC
Insulation Resistance	10 M Ω Min. (500VDC)	
Max. ON/OFF Switching Mechanically Electrically	300 operation/min 30 operation/min	
Operating Ambient Temperature	-55°C to +85°C (operating) -55°C to +155°C (storage)	
Operating Humidity	45% to 85% RH	
Coil Temperature Rise	60 deg. Max.	
Vibration Endurance Error Operation	10 to 55Hz Double Amplitude 1.5mm 10 to 55Hz Double Amplitude 1.5mm	
Shock Endurance Error Operation	100 m/sec ² (abt. 100g's) 10 m/sec ² (abt. 10g's)	
Life Expectancy Mechanically Electrically	1 \times 10 ⁷ 1 \times 10 ⁵	
Weight	abt. 22grs, 28grs(SEALED)	
UL & CUL	E156406	
TUV	R50036670	

SEALED RELAY

