

## JFM Series RJ45 1X1 R/A, T/H Type 1.27mm [.050"] Pitch 10/100Base-T

### Electrical:

- Current Rating: 1.5A max.
- Contact Resistance: 50mΩ max.
- Dielectric Withstanding Voltage: 1500Vrms.

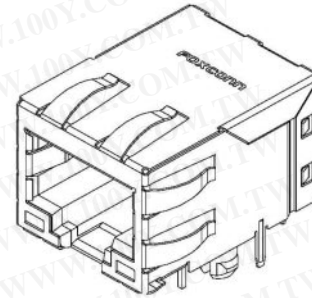
### Mechanical:

- Mating Force: 4Pounds max.
- Unmating Force: 4Pounds max.
- Durability: 1000 Cycles

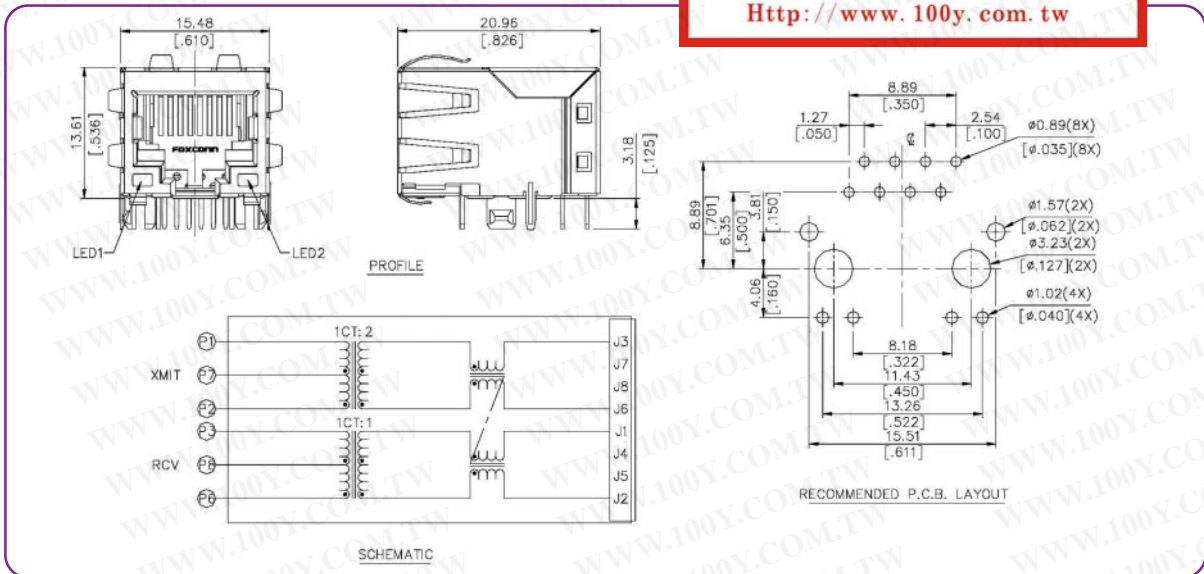
### Physical:

- Housing: Thermoplastic, UL 94V-0 Rated in Black Color
- Contact: Copper Alloy
- Shell: Copper Alloy.
- Operating Temperature: 0°C to + 70°C

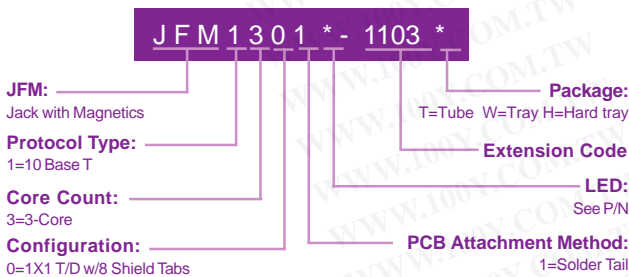
### Drawing:



勝特力材料 886-3-5753170  
 勝特力电子(上海) 86-21-54151736  
 勝特力电子(深圳) 86-755-83298787  
[Http://www.100y.com.tw](http://www.100y.com.tw)



### Order Information:



P/N	LED 1	LED 2
JFM1301B-1103*	Green	Orange-Yellow
JFM1301A-1103*	Green	Green-Yellow
JFM13019-1103*	Green	Red
JFM13018-1103*	Red	Green
JFM13017-1103*	Yellow	Red
JFM13016-1103*	Red	Yellow
JFM13015-1103*	Red	Red
JFM13014-1103*	Yellow	Yellow
JFM13013-1103*	Green	Yellow
JFM13012-1103*	Green	Green
JFM13011-1103*	Yellow	Green
JFM13010-1103*	None	None

# Modular Jack

Board to Board Connector  
Modular Jack  
IC Socket

## JFM Series RJ45 1X1 R/A, T/H Type 1.27mm [.050"] Pitch 10/100 Base-T

### Electrical:

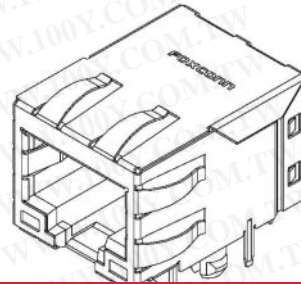
- Current Rating: 1.5A max.
- Contact Resistance: 50mΩ max.
- Dielectric Withstanding Voltage: 1500Vrms
- Insertion Loss: -1.0dB max. @1-100MHz
- Return Loss: -12dB min. @1-80MHz
- Cross Talk: -35dB min. @1-100MHz

### Mechanical:

- Mating Force: 4Pounds max.
- Unmating Force: 4Pounds max.
- Durability: 1000 Cycles

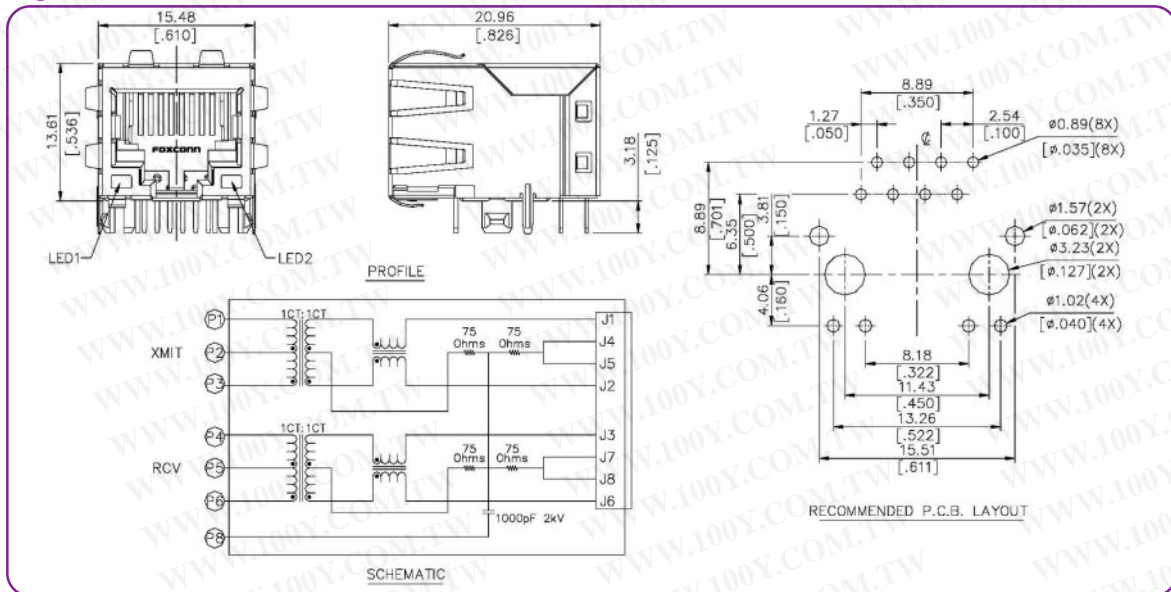
### Physical:

- Housing: Thermoplastic, UL 94V-0 Rated in Black Color
- Contact: Copper Alloy
- Shell: Copper Alloy.
- Operating Temperature: 0°C to + 70°C

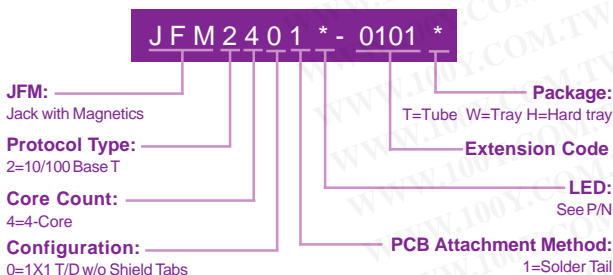


勝特力材料 886-3-5753170  
勝特力电子(上海) 86-21-54151736  
勝特力电子(深圳) 86-755-83298787  
[Http://www.100y.com.tw](http://www.100y.com.tw)

### Drawing:



### Order Information:



P/N	LED 1	LED 2
JFM2401B-0101*	Green	Orange-Yellow
JFM2401A-0101*	Green	Green-Yellow
JFM24019-0101*	Green	Red
JFM24018-0101*	Red	Green
JFM24017-0101*	Yellow	Red
JFM24016-0101*	Red	Yellow
JFM24015-0101*	Red	Red
JFM24014-0101*	Yellow	Yellow
JFM24013-0101*	Green	Yellow
JFM24012-0101*	Green	Green
JFM24011-0101*	Yellow	Green
JFM24010-0101*	None	None

## JFM Series RJ45 1X1 R/A, SMT Type 1.27mm [.050"] Pitch 10/100 Base-T

### Electrical:

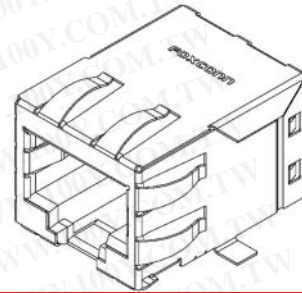
- Current Rating: 1.5A max.
- Contact Resistance: 50mΩ max.
- Dielectric Withstanding Voltage: 1500Vrms
- Insertion Loss: -1.0dB max. @1-100MHz
- Return Loss: -12dB min. @1-80MHz
- Cross Talk: -35dB min. @1-100MHz

### Mechanical:

- Mating Force: 4Pounds max.
- Unmating Force: 4Pounds max.
- Durability: 1000 Cycles

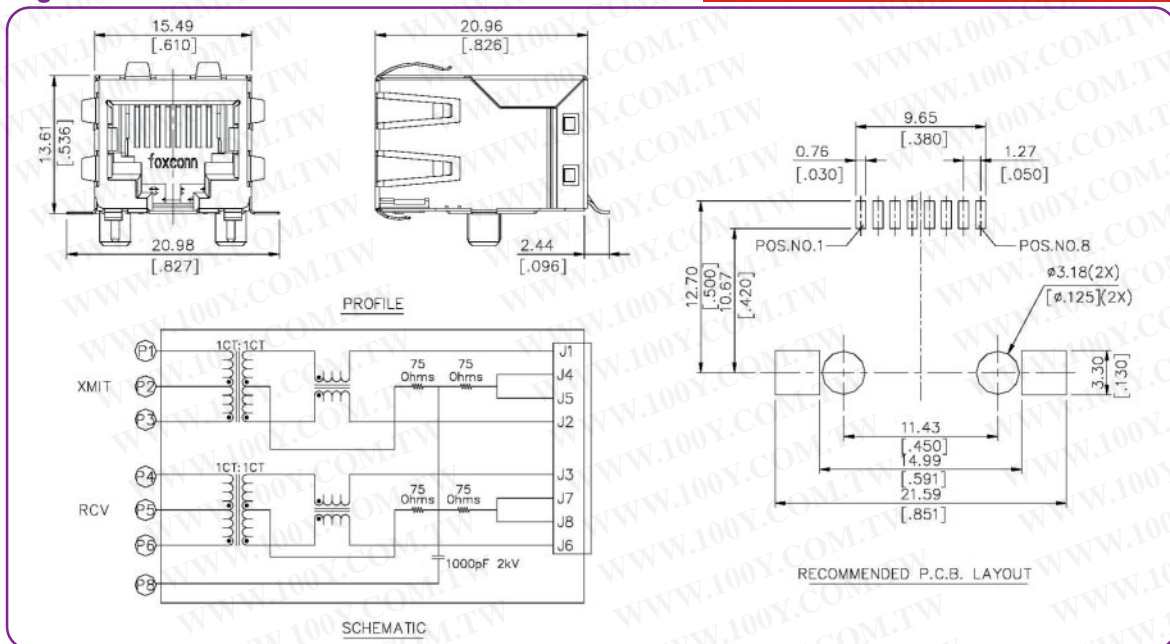
### Physical:

- Housing: Thermoplastic, UL 94V-0 Rated in Black Color
- Contact: Copper Alloy
- Shell: Copper Alloy
- Operating Temperature: 0°C to + 70°C

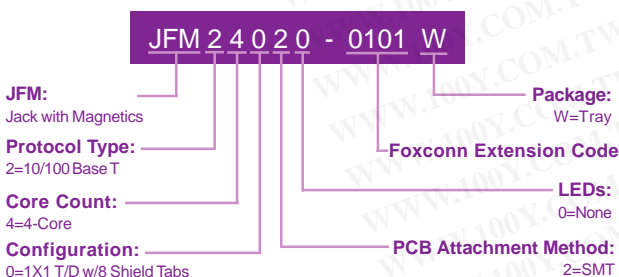


勝特力材料 886-3-5753170  
 勝特力电子(上海) 86-21-54151736  
 勝特力电子(深圳) 86-755-83298787  
[Http://www.100y.com.tw](http://www.100y.com.tw)

### Drawing:



### Order Information:



# Modular Jack

Board to Board Connector  
Modular Jack  
IC Socket

## JFM Series RJ45 1X1 R/A, T/H Type 1.27mm [.050"] Pitch 10/100 Base-T

### Electrical:

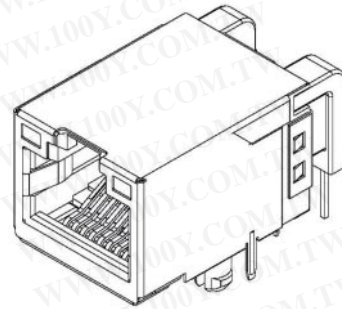
- Voltage Rating: 150VAC max.
- Current Rating: 1.5A max.
- Dielectric Withstanding Voltage: 1000V
- Insertion Loss: -1.0dB max. @1-100MHz.
- Return Loss: -12dB min. @1-80MHz.
- Cross Talk: -35dB min. @1-100MHz.

### Mechanical:

- Mating Force: 4Pounds max.
- Unmating Force: 4Pounds max.
- Durability: 1000 Cycles

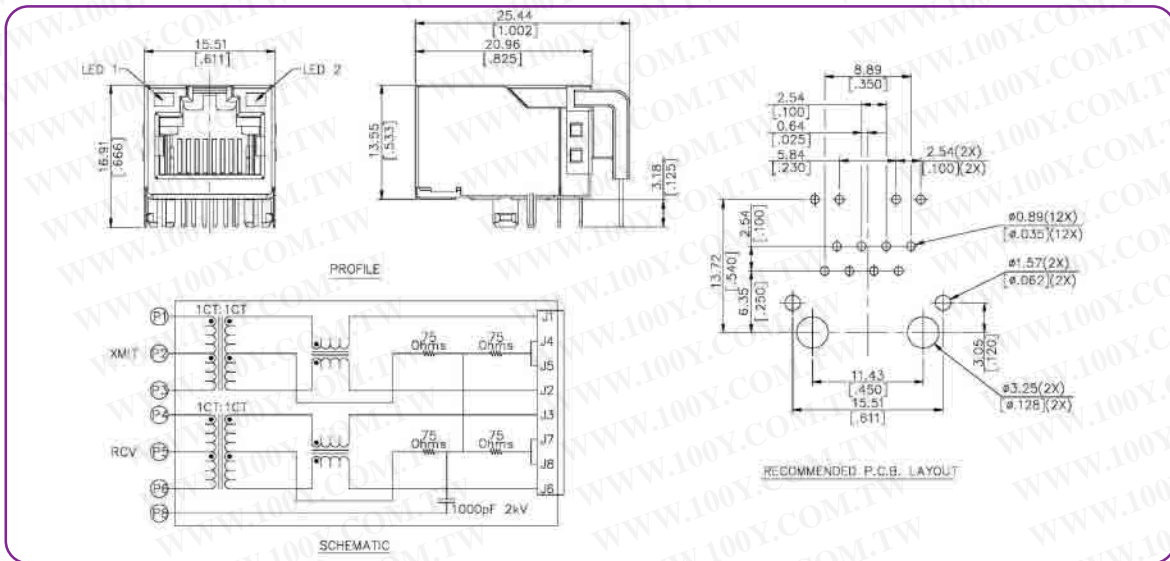
### Physical:

- Housing: Thermoplastic, UL 94V-0 Rated in Black Color
- Contact: Copper Alloy
- Shell: Copper Alloy
- Operating Temperature: 0°C to + 85°C

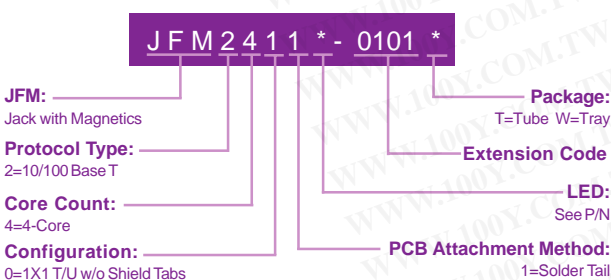


勝特力材料 886-3-5753170  
勝特力电子(上海) 86-21-54151736  
勝特力电子(深圳) 86-755-83298787  
[Http://www.100y.com.tw](http://www.100y.com.tw)

### Drawing:



### Order Information:



P/N	LED 1	LED 2
JFM2411B-0101*	Green	Orange-Yellow
JFM2411A-0101*	Green	Green-Yellow
JFM24119-0101*	Green	Red
JFM24118-0101*	Red	Green
JFM24117-0101*	Yellow	Red
JFM24116-0101*	Red	Yellow
JFM24115-0101*	Red	Red
JFM24114-0101*	Yellow	Yellow
JFM24113-0101*	Green	Yellow
JFM24112-0101*	Green	Green
JFM24111-0101*	Yellow	Green
JFM24110-0101*	None	None

## JFM Series RJ45 1X1 R/A, T/H Type 1.27mm [.050"] Pitch 10/100 Base-T

### Electrical:

- Voltage Rating: 150VAC max.
- Current Rating: 1.5A max.
- Dielectric Withstanding Voltage: 1000V
- Insertion Loss: -1.0dB max. @1-100MHz.
- Return Loss: -12dB min. @1-80MHz.
- Cross Talk: -35dB min. @1-100MHz.

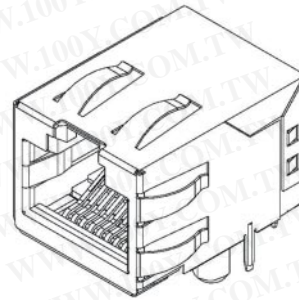
### Mechanical:

- Mating Force: 4Pounds max.
- Unmating Force: 4Pounds max.
- Durability: 1000 Cycles

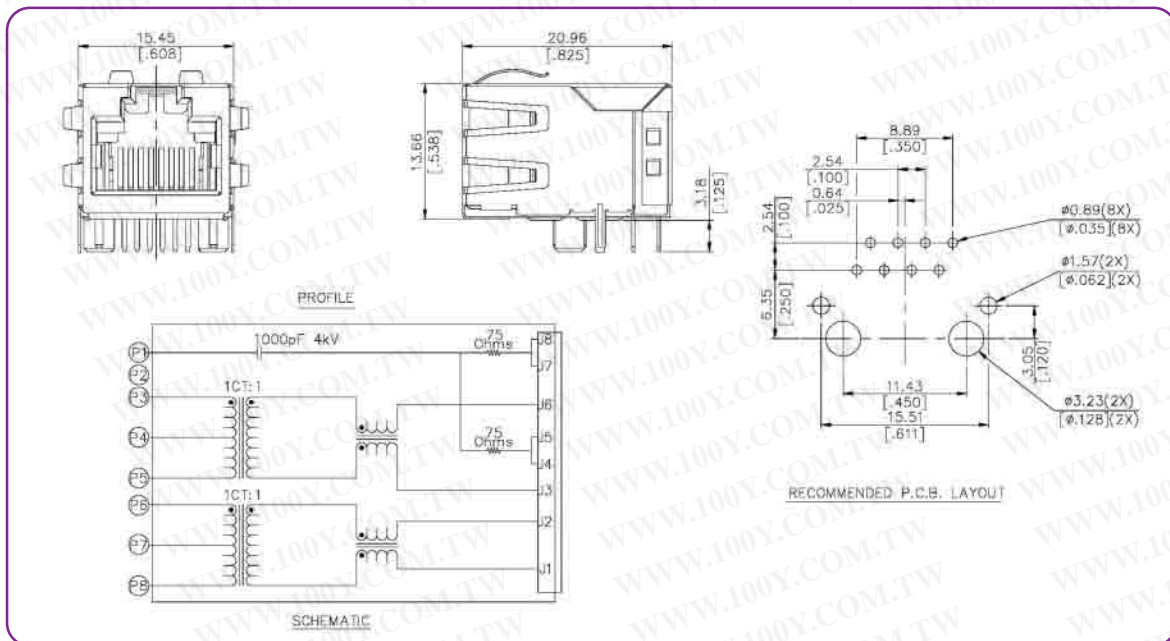
### Physical:

- Housing: Thermoplastic, UL 94V-0 Rated in Black Color
- Contact: Copper Alloy
- Shell: Copper Alloy
- Operating Temperature: 0°C to + 85°C

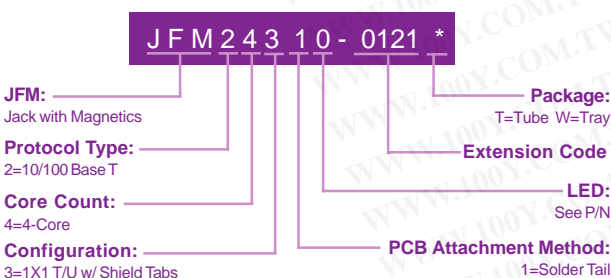
### Drawing:



勝特力材料 886-3-5753170  
 勝特力电子(上海) 86-21-54151736  
 勝特力电子(深圳) 86-755-83298787  
[Http://www.100y.com.tw](http://www.100y.com.tw)



### Order Information:



# Modular Jack

Board to Board Connector

Modular Jack

IC Socket

## JFM Series RJ45 1X1 R/A, SMT Type 1.27mm [.050"] Pitch 10/100 Base-T

### Electrical:

- Voltage Rating: 150VAC max.
- Current Rating: 1.5A max.
- Dielectric Withstanding Voltage: 1000V
- Insertion Loss: -1.0dB max. @1-100MHz.
- Return Loss: -12dB min. @1-80MHz.
- Cross Talk: -35dB min. @1-100MHz.

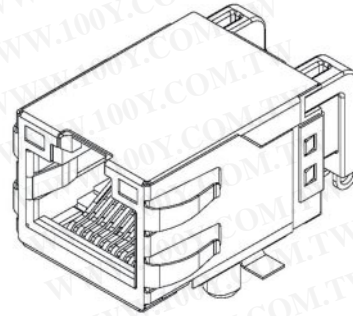
### Mechanical:

- Mating Force: 4Pounds max.
- Unmating Force: 4Pounds max.
- Durability: 1000 Cycles

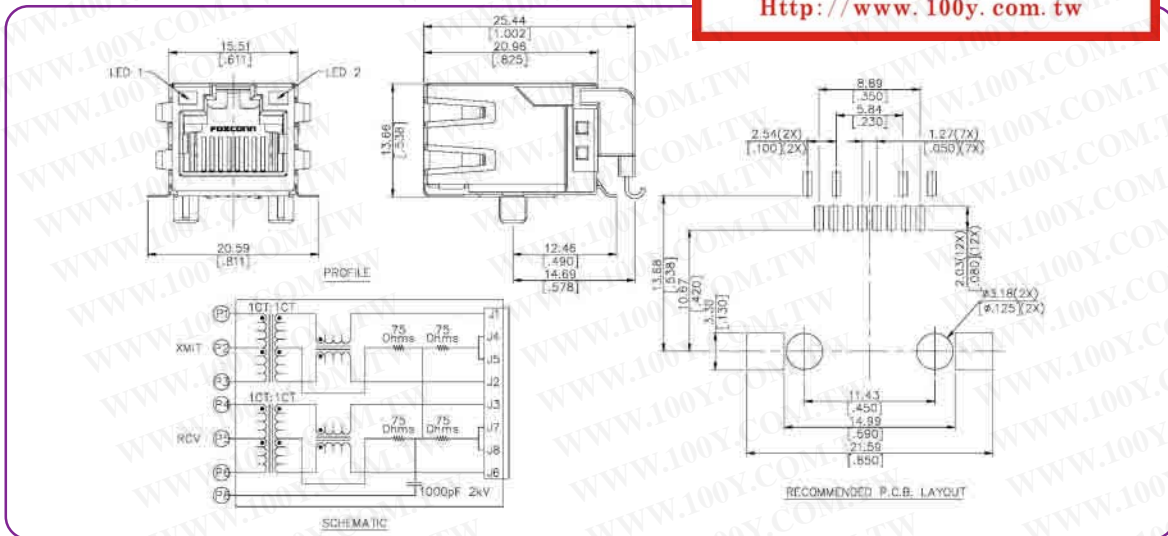
### Physical:

- Housing: Thermoplastic, UL 94V-0 Rated in Black Color
- Contact: Copper Alloy
- Shell: Copper Alloy
- Operating Temperature: 0°C to + 85°C

### Drawing:



勝特力材料 886-3-5753170  
 勝特力电子(上海) 86-21-54151736  
 勝特力电子(深圳) 86-755-83298787  
[Http://www.100y.com.tw](http://www.100y.com.tw)



### Order Information:

JFM 2432\* - 0101 \*

**Series Prefix:**  
JFM=Jack with Magnetics

**Protocol Type:**  
2=10/100 Base T

**Core Count:**  
4=4-Core

**Configuration:**  
3=1X1 T/U W/4 Shield Tabs  
(Side to Side taps)

**Package:**  
W=Tray

**Extension Code**

**LED:**

**PCB Attachment Method:**  
2=SMT

P/N	LED 1	LED 2
JFM2432B-0101*	Green	Orange-Yellow
JFM2432A-0101*	Green	Green-Yellow
JFM24329-0101*	Green	Red
JFM24328-0101*	Red	Green
JFM24327-0101*	Yellow	Red
JFM24326-0101*	Red	Yellow
JFM24325-0101*	Red	Red
JFM24324-0101*	Yellow	Yellow
JFM24323-0101*	Green	Yellow
JFM24322-0101*	Green	Green
JFM24321-0101*	Yellow	Green
JFM24320-0101*	None	None

## JFM Series RJ45 1X4 R/A, T/H Type 1.27mm [.050"] Pitch 10/100 Base-T

### Electrical:

- Current Rating: 1.5A max.
- Contact Resistance: 50mΩ max.
- Dielectric Withstanding Voltage: 1500Vrms
- Insertion Loss: -1.0dB max. @1-100MHz
- Return Loss: -12dB min. @1-80MHz
- Cross Talk: -35dB min. @1-100MHz

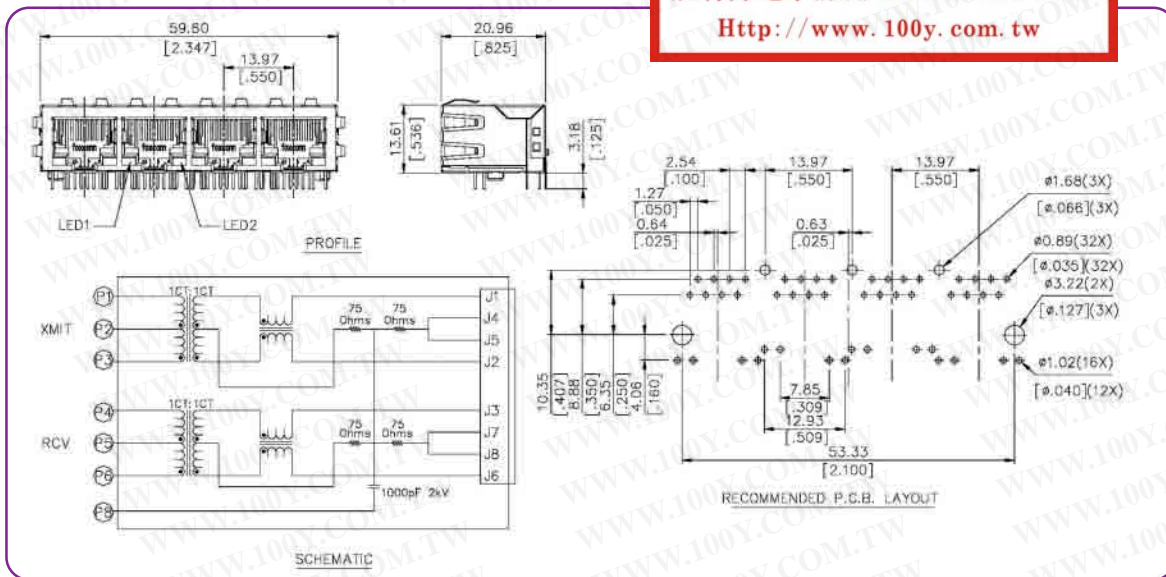
### Mechanical:

- Mating Force: 4Pounds max.
- Unmating Force: 4Pounds max.
- Durability: 1000 Cycles

### Physical:

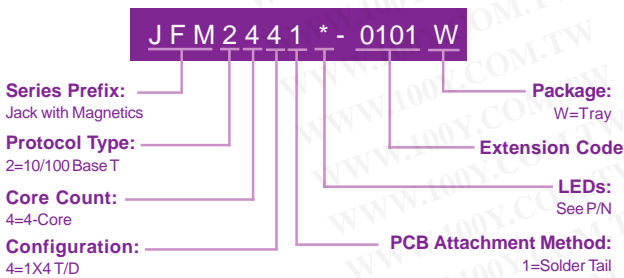
- Housing: Thermoplastic, UL 94V-0 Rated in Black Color
- Contact: Copper Alloy
- Shell: Copper Alloy
- Operating Temperature: 0°C to + 70°C

### Drawing:



勝特力材料 886-3-5753170  
 勝特力电子(上海) 86-21-54151736  
 勝特力电子(深圳) 86-755-83298787  
[Http://www.100y.com.tw](http://www.100y.com.tw)

### Order Information:



P/N	LED 1	LED 2
JFM2441B-0101*	Green	Orange-Yellow
JFM2441A-0101*	Green	Green-Yellow
JFM24419-0101*	Green	Red
JFM24418-0101*	Red	Green
JFM24417-0101*	Yellow	Red
JFM24416-0101*	Red	Yellow
JFM24415-0101*	Red	Red
JFM24414-0101*	Yellow	Yellow
JFM24413-0101*	Green	Yellow
JFM24412-0101*	Green	Green
JFM24411-0101*	Yellow	Green
JFM24410-0101*	None	None

# Modular Jack

Board to Board Connector  
Modular Jack  
IC Socket

## JFM Series RJ45 1X4 R/A, T/H Type 1.27mm [.050"] Pitch 10/100 Base-T

### Electrical:

- Current Rating: 1.5A max.
- Contact Resistance: 50mΩ max.
- Dielectric Withstanding Voltage: 1500Vrms
- Insertion Loss: -1.0dB max. @1-100MHz
- Return Loss: -12dB min. @1-80MHz
- Cross Talk: -35dB min. @1-100MHz

勝特力材料 886-3-5753170  
勝特力电子(上海) 86-21-54151736  
勝特力电子(深圳) 86-755-83298787  
[Http://www.100y.com.tw](http://www.100y.com.tw)

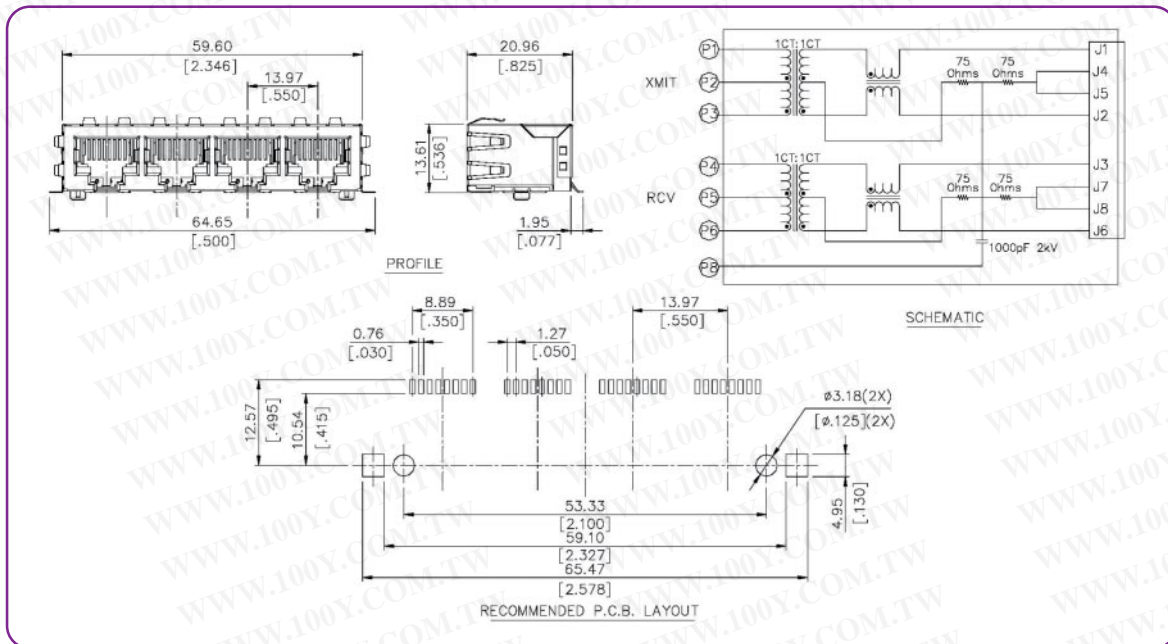
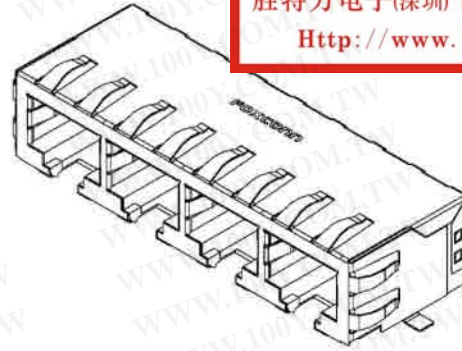
### Mechanical:

- Mating Force: 4Pounds max.
- Unmating Force: 4Pounds max.
- Durability: 1000 Cycles

### Physical:

- Housing: Thermoplastic, UL 94V-0 Rated in Black Color
- Contact: Copper Alloy
- Shell: Copper Alloy
- Operating Temperature: 0°C to + 70°C

### Drawing:



### Order Information:

JFM 2 4 4 2 0 - 0101 W

**Series Prefix:**  
Jack with Magnetics

**Protocol Type:**  
2=10/100Base T

**Core Count:**  
4=4-Core

**Configuration:**  
4=1X4 T/D

**Package:**  
W=Tray

**Extension Code**

**LEDs:**  
0=None

**PCB Attachment Method:**  
2=SMT



## JFM Series RJ45 2X6 R/A, T/H Type 1.27mm [.050"] Pitch 10/100 Base-T

### Electrical:

- Current Rating: 0.5A max.
- Dielectric Withstanding Voltage: 1000V.
- Insertion loss: -1.1dB max @1-100MHz.
- Cross Talk: -40dB min @1-100MHz.

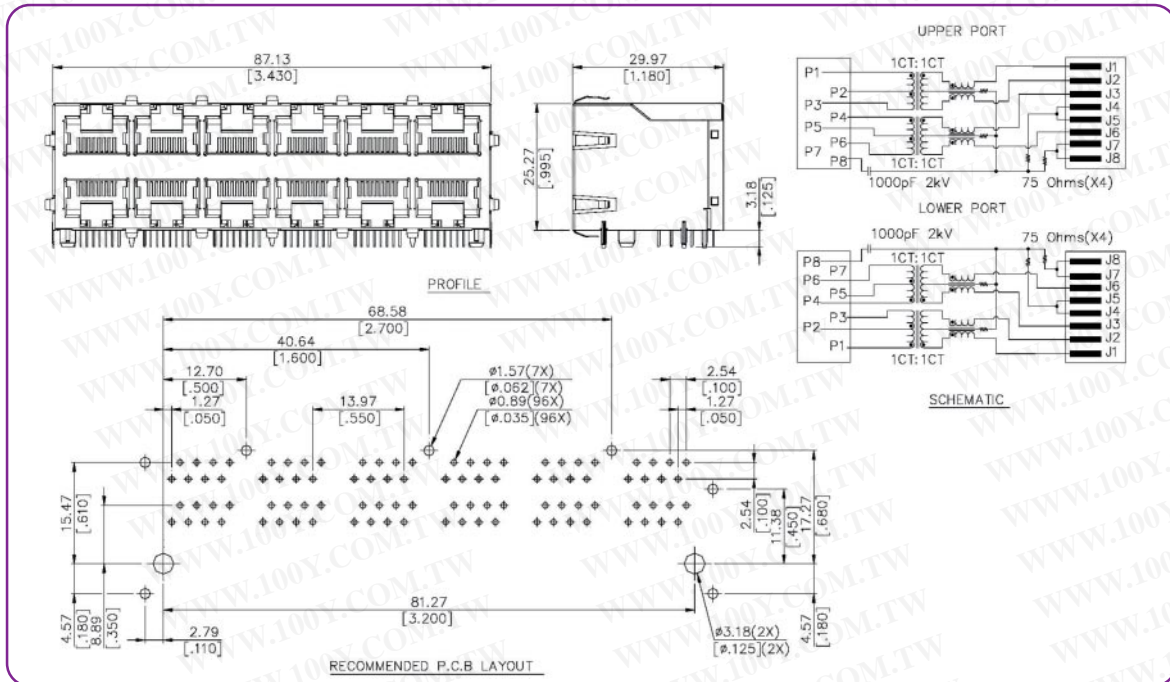
### Mechanical:

- Mating Force: 4Pounds max.
- Unmating Force: 10Pounds max.
- Durability: 1000 Cycles

### Physical:

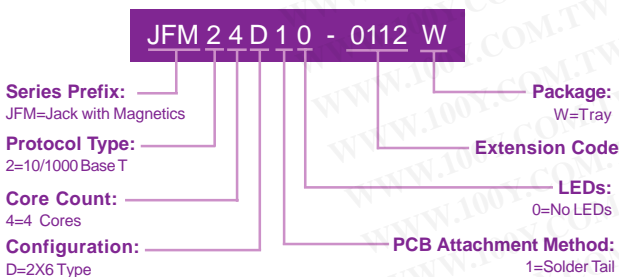
- Housing: Thermoplastic, UL 94V-0 Rated in Black Color
- Contact: Copper Alloy
- Shell: Copper Alloy
- Operating Temperature: 0°C to + 70°C

### Drawing:



勝特力材料 886-3-5753170  
 勝特力电子(上海) 86-21-54151736  
 勝特力电子(深圳) 86-755-83298787  
[Http://www.100y.com.tw](http://www.100y.com.tw)

### Order Information:



# Modular Jack

Board to Board Connector  
Modular Jack  
IC Socket

## JFM Series RJ45 2X8 R/A, T/H Type 1.27mm [.050"] Pitch 10/100 Base-T

### Electrical:

- Current Rating: 0.5A max.
- Dielectric Withstanding Voltage: 1000V.
- Insertion loss: -1.1dB max @1-100MHz.
- Cross Talk: -40dB min @1-100MHz.

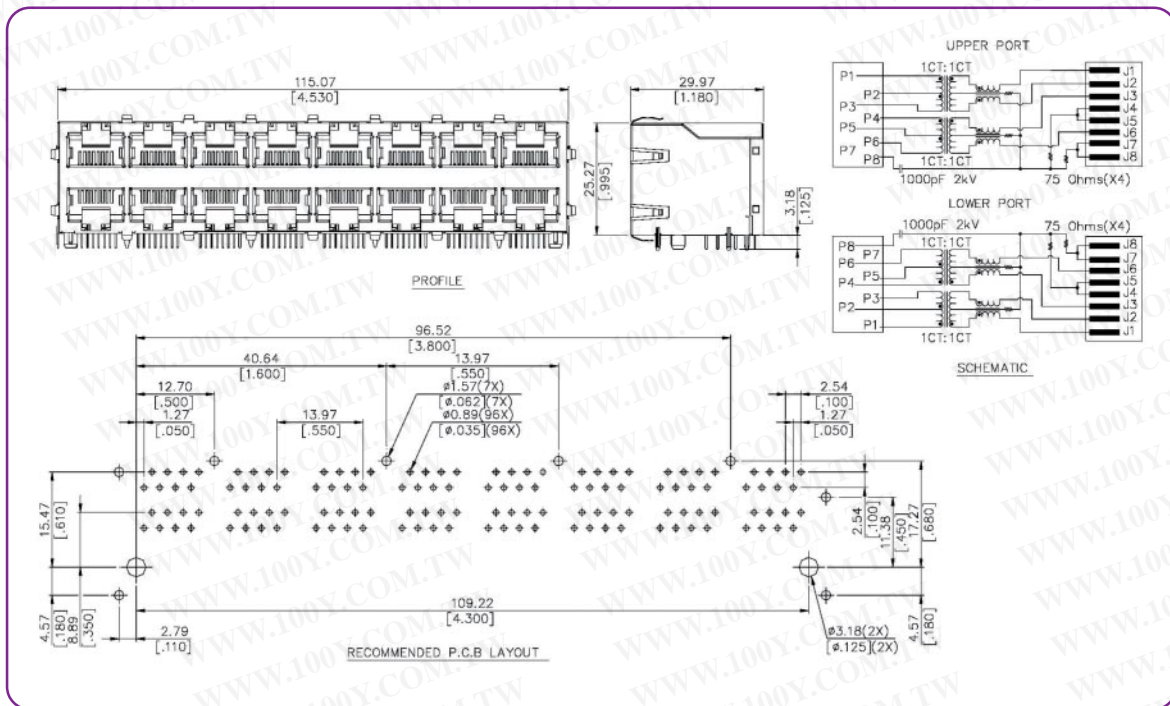
### Mechanical:

- Mating Force: 4Pounds max.
- Unmating Force: 10Pounds max.
- Durability: 1000 Cycles

### Physical:

- Housing: Thermoplastic, UL 94V-0 Rated in Black Color
- Contact: Copper Alloy
- Shell: Copper Alloy
- Operating Temperature: 0°C to + 70°C

### Drawing:



勝特力材料 886-3-5753170  
 勝特力电子(上海) 86-21-54151736  
 勝特力电子(深圳) 86-755-83298787  
[Http://www.100y.com.tw](http://www.100y.com.tw)

### Order Information:

JFM 2 4 E 1 0 - 0112 W

- Series Prefix:** JFM=Jack with Magnetics
- Protocol Type:** 2=10/100 Base T
- Core Count:** 4=4-Core
- Configuration:** E=2X8 Type
- Package:** W=Tray
- Extension Code:** 0112
- LEDs:** 0=No LEDs
- PCB Attachment Method:** 1=Solder Tail

## JFM Series RJ45 1X2 R/A, T/H Type 1.27mm [.050"] Pitch10/100 Base-T

### Electrical:

- Voltage Rating: 150VAC max.
- Current Rating: 1.5A max.
- Dielectric Withstanding Voltage: 1000V
- Insertion Loss: -1.0dB max. @1-100MHz.
- Return Loss: -12dB min. @1-80MHz.
- Cross Talk: -35dB min. @1-100MHz.

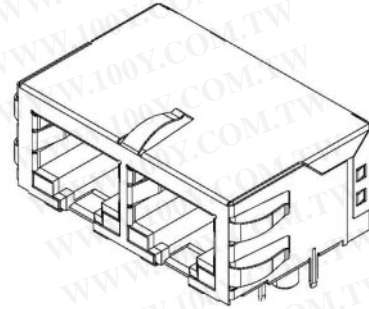
勝特力材料 886-3-5753170  
 勝特力电子(上海) 86-21-54151736  
 勝特力电子(深圳) 86-755-83298787  
[Http://www.100y.com.tw](http://www.100y.com.tw)

### Mechanical:

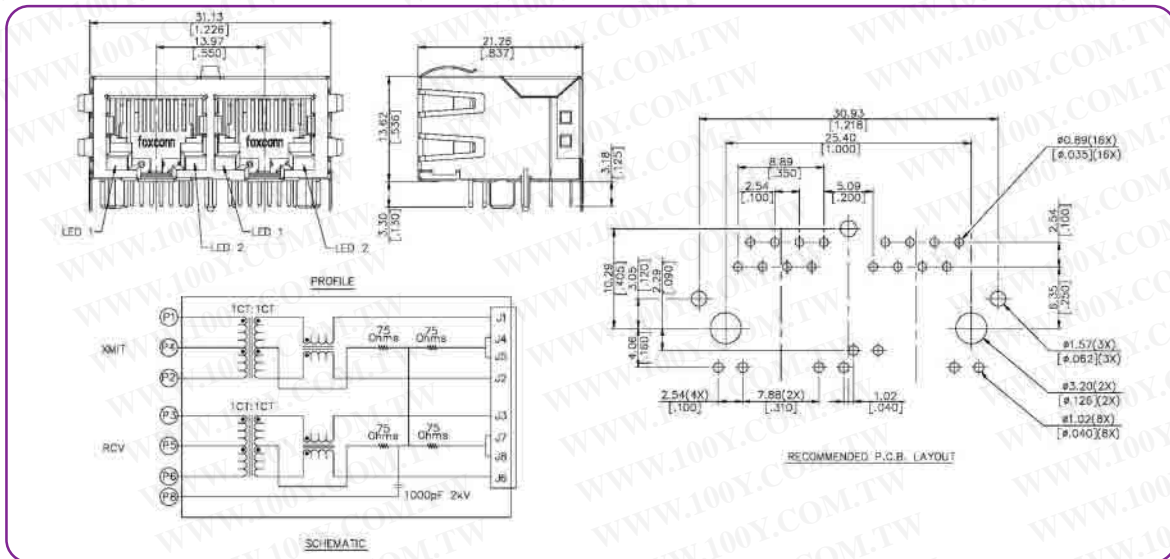
- Mating Force: 4Pounds max.
- Unmating Force: 4Pounds max.
- Durability: 1000 Cycles

### Physical:

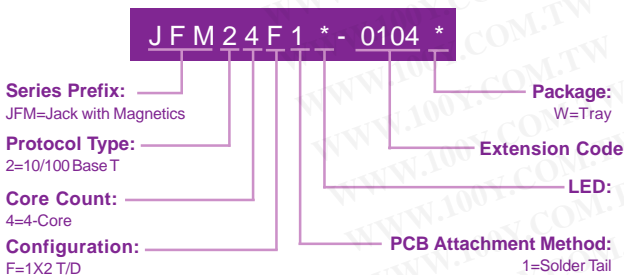
- Housing: Thermoplastic, UL 94V-0 Rated in Black Color
- Contact: Copper Alloy
- Shell: Copper Alloy
- Operating Temperature: 0°C to + 85°C



### Drawing:



### Order Information:



P/N	LED 1	LED 2
JFM24F1B-0104*	Green	Orange-Yellow
JFM24F1A-0104*	Green	Green-Yellow
JFM24F19-0104*	Green	Red
JFM24F18-0104*	Red	Green
JFM24F17-0104*	Yellow	Red
JFM24F16-0104*	Red	Yellow
JFM24F15-0104*	Red	Red
JFM24F14-0104*	Yellow	Yellow
JFM24F13-0104*	Green	Yellow
JFM24F12-0104*	Green	Green
JFM24F11-0104*	Yellow	Green
JFM24F10-0104*	None	None

# Modular Jack

Board to Board Connector  
Modular Jack  
IC Socket

## JFM Series RJ45 1X1 R/A, T/H Type 1.27mm [.050"] Pitch 10/100 Base-T

### Electrical:

- Current Rating: 1.5A max.
- Contact Resistance: 50mΩ max.
- Dielectric Withstanding Voltage: 1500Vrms
- Insertion Loss: -1.0dB max. @1-100MHz
- Return Loss: -12dB min. @1-80MHz
- Cross Talk: -35dB min. @1-100MHz

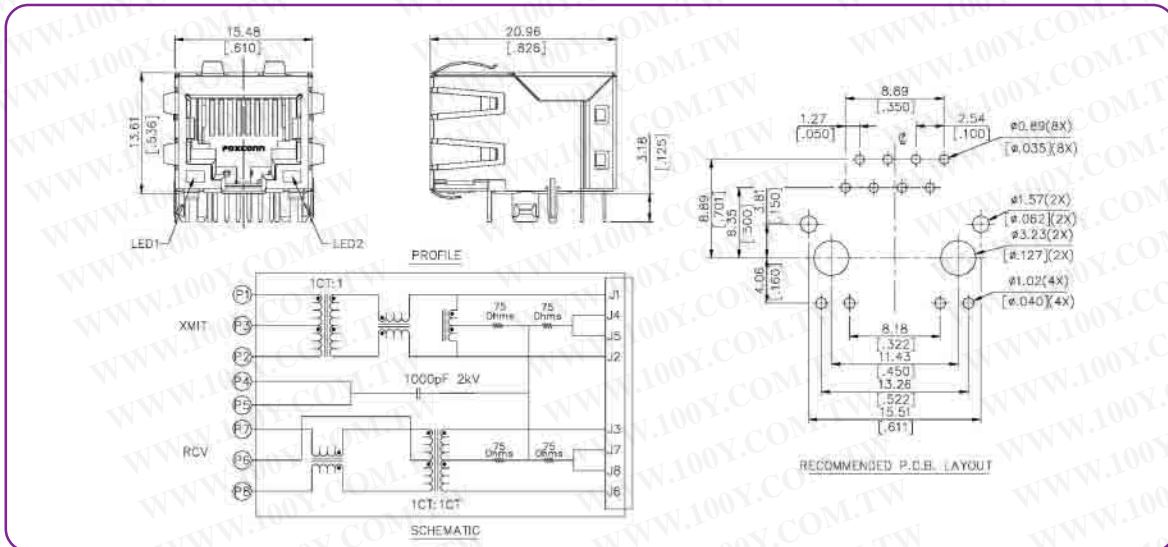
### Mechanical:

- Mating Force: 4Pounds max.
- Unmating Force: 4Pounds max.
- Durability: 1000 Cycles

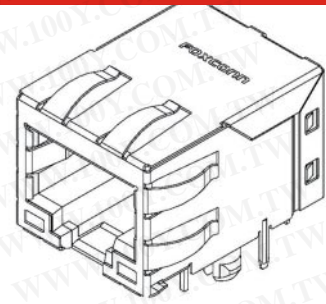
### Physical:

- Housing: Thermoplastic, UL 94V-0 Rated in Black Color
- Contact: Copper Alloy
- Shell: Copper Alloy.
- Operating Temperature: 0°C to + 70°C

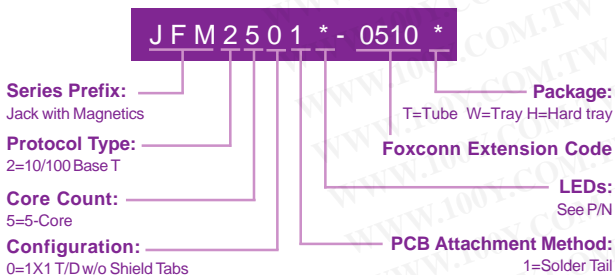
### Drawing:



勝特力材料 886-3-5753170  
 勝特力电子(上海) 86-21-54151736  
 勝特力电子(深圳) 86-755-83298787  
[Http://www.100y.com.tw](http://www.100y.com.tw)



### Order Information:



P/N	LED 1	LED 2
JFM2501B-0510*	Green	Orange-Yellow
JFM2501A-0510*	Green	Green-Yellow
JFM25019-0510*	Green	Red
JFM25018-0510*	Red	Green
JFM25017-0510*	Yellow	Red
JFM25016-0510*	Red	Yellow
JFM25015-0510*	Red	Red
JFM25014-0510*	Yellow	Yellow
JFM25013-0510*	Green	Yellow
JFM25012-0510*	Green	Green
JFM25011-0510*	Yellow	Green
JFM25010-0510*	None	None

## JFM Series RJ45 1X1 R/A, SMT Type 1.27mm [.050"] Pitch 10/100 Base-T

### Electrical:

- Current Rating: 1.5A max.
- Contact Resistance: 50mΩ max.
- Dielectric Withstanding Voltage: 1500Vrms
- Insertion Loss: -1.0dB max. @1-100MHz
- Return Loss: -12dB min. @1-80MHz
- Cross Talk: -35dB min. @1-100MHz

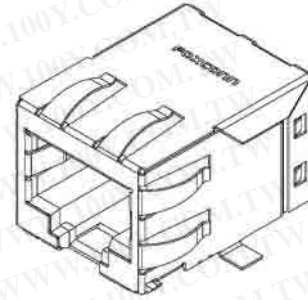
勝特力材料 886-3-5753170  
 勝特力电子(上海) 86-21-54151736  
 勝特力电子(深圳) 86-755-83298787  
[Http://www.100y.com.tw](http://www.100y.com.tw)

### Mechanical:

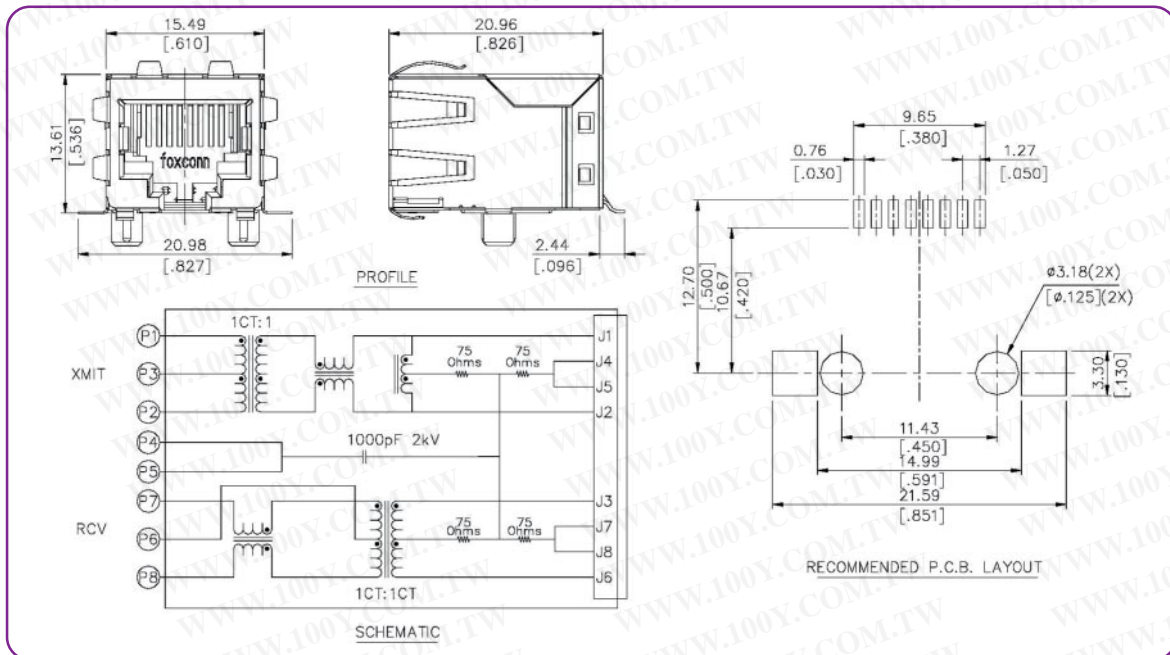
- Mating Force: 4Pounds max.
- Unmating Force: 4Pounds max.
- Durability: 1000 Cycles

### Physical:

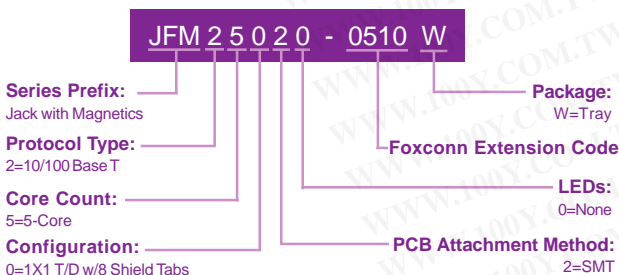
- Housing: Thermoplastic, UL 94V-0 Rated in Black Color
- Contact: Copper Alloy
- Shell: Copper Alloy
- Operating Temperature: 0°C to +70°C



### Drawing:



### Order Information:





## JFM Series RJ45 1X1 R/A, T/H Type 1.27mm [.050"] Pitch 10/100 Base-T

### Electrical:

- Voltage Rating: 150VAC max.
- Current Rating: 1.5A max.
- Dielectric Withstanding Voltage: 1000V
- Insertion Loss: -1.0dB max. @1-100MHz.
- Return Loss: -12dB min. @1-80MHz.
- Cross Talk: -35dB min. @1-100MHz.

勝特力材料 886-3-5753170  
 勝特力电子(上海) 86-21-54151736  
 勝特力电子(深圳) 86-755-83298787  
[Http://www.100y.com.tw](http://www.100y.com.tw)

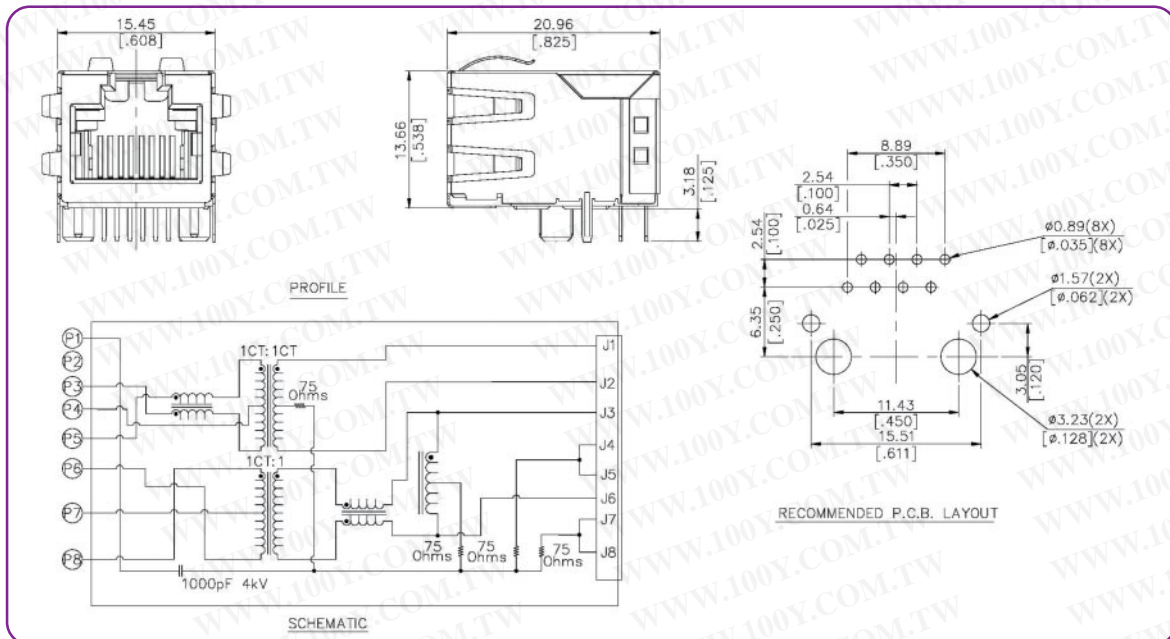
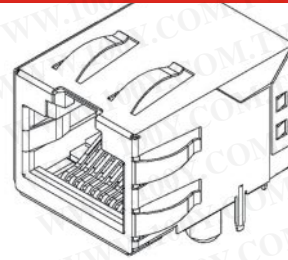
### Mechanical:

- Mating Force: 4Pounds max.
- Unmating Force: 4Pounds max.
- Durability: 1000 Cycles

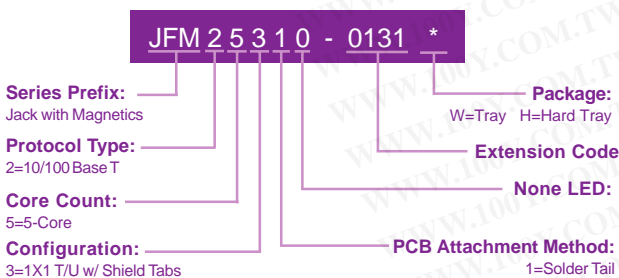
### Physical:

- Housing: Thermoplastic, UL 94V-0 Rated in Black Color
- Contact: Copper Alloy
- Shell: Copper Alloy
- Operating Temperature: 0°C to + 85°C

### Drawing:



### Order Information:



# Modular Jack

Board to Board Connector  
Modular Jack  
IC Socket

## JFM Series RJ45 1X1 R/A, T/H Type 1.27mm [.050"] Pitch 10/100 Base-T

### Electrical:

- Voltage Rating: 150VAC max.
- Current Rating: 1.5A max.
- Dielectric Withstanding Voltage: 1000V
- Insertion Loss: -1.0dB max. @1-100MHz.
- Return Loss: -12dB min. @1-80MHz.
- Cross Talk: -35dB min. @1-100MHz.

勝特力材料 886-3-5753170  
勝特力电子(上海) 86-21-54151736  
勝特力电子(深圳) 86-755-83298787  
[Http://www.100y.com.tw](http://www.100y.com.tw)

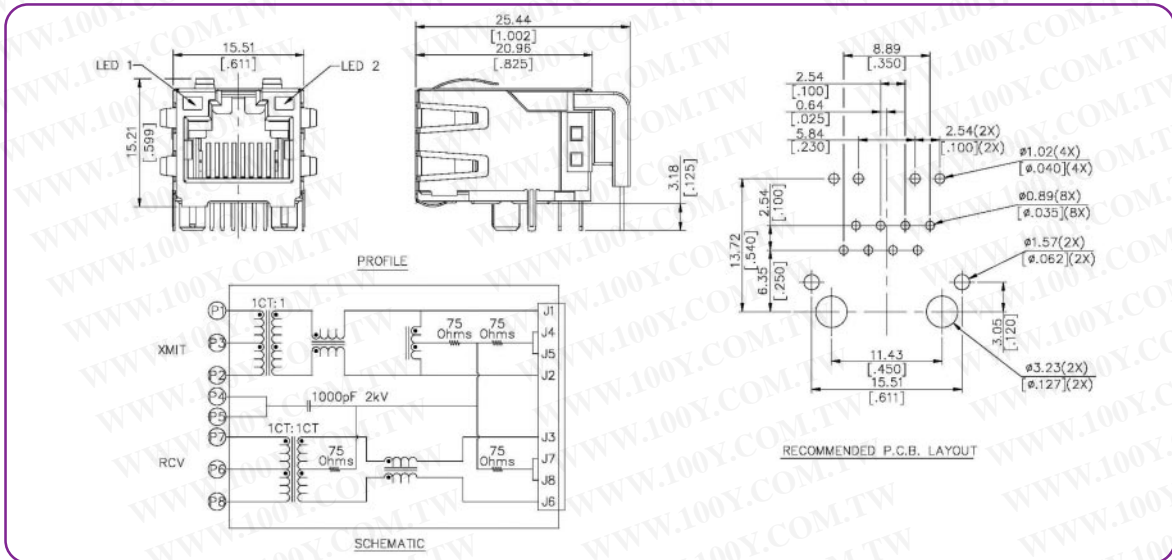
### Mechanical

- Mating Force: 4Pounds max.
- Unmating Force: 4Pounds max.
- Durability: 1000 Cycles

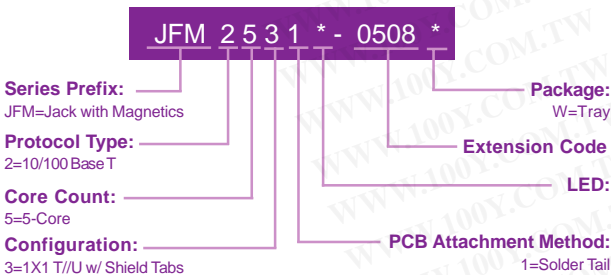
### Physical:

- Housing: Thermoplastic, UL 94V-0 Rated in Black Color
- Contact: Copper Alloy
- Shell: Copper Alloy
- Operating Temperature: 0°C to + 85°C

### Drawing:



### Order Information:



P/N	LED 1	LED 2
JFM2531B-0508*	Green	Orange-Yellow
JFM2531A-0508*	Green	Green-Yellow
JFM25319-0508*	Green	Red
JFM25318-0508*	Red	Green
JFM25317-0508*	Yellow	Red
JFM25316-0508*	Red	Yellow
JFM25315-0508*	Red	Red
JFM25314-0508*	Yellow	Yellow
JFM25313-0508*	Green	Yellow
JFM25312-0508*	Green	Green
JFM25311-0508*	Yellow	Green
JFM25310-0508*	None	None



## JFM Series RJ45 1x1 R/A, T/H Type 1.02mm [.040"] Pitch 10/1000 Base-T

### Electrical(RJ45):

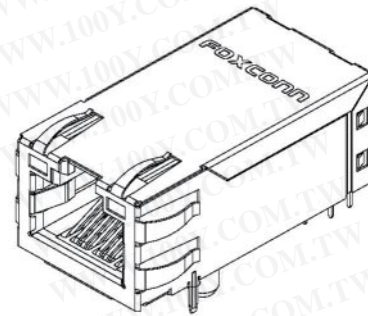
- Voltage Rating: 150VAC max.
- Current Rating: 0.5A max.
- Dielectric Withstanding Voltage: 1000V.
- Insertion loss: -1.2dB max @1-100MHz.
- Return loss: -10dB min @1-100MHz.
- Cross Talk: -30dB min @1-100MHz.

### Mechanical:

- Mating Force: 4Pounds max.
- Unmating Force: 10Pounds max
- Durability: 1000 Cycles

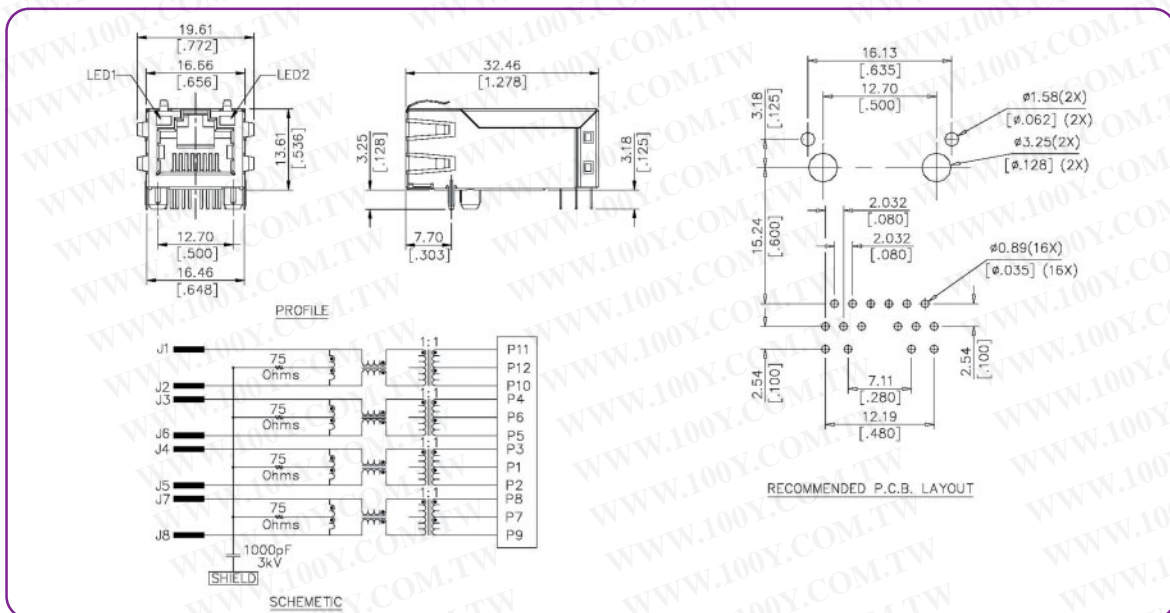
### Physical:

- Housing: Thermoplastic, UL 94V-0 Rated in Black Color
- Contact: Copper Alloy
- Shell: Copper Alloy
- Operating Temperature: 0°C to + 70°C



勝特力材料 886-3-5753170  
 勝特力电子(上海) 86-21-54151736  
 勝特力电子(深圳) 86-755-83298787  
[Http://www.100y.com.tw](http://www.100y.com.tw)

### Drawing:



### Order Information:

J F M 3 1 3 1 \* - 3301 W

- Series Prefix:** JFM=Jack with Magnetics
- Protocol Type:** 3=10/100/1000 Base T(3 Speed)
- Core Count:** 1=12-Core
- Configuration:** 3=1X1 T/U w/4 Shield Tabs (Side to Side taps)
- Package:** W=Tray
- Extension Code**
- LED**
- PCB Attachment Method:** 1=Solder Tail

P/N	LED 1	LED 2
JFM3131D-3301W	Green-Yellow	Green-Yellow
JFM3131B-3301W	Green-Orange	Yellow
JFM3131A-3301W	Green	Green-Yellow

# Modular Jack

Board to Board Connector  
Modular Jack  
IC Socket

## JFM Series RJ45 1X1 R/A, T/H Type 1.27mm [.050"] Pitch 10/1000 Base-T

### Electrical:

- Voltage Rating: 150VAC max.
- Current Rating: 0.5A max.
- Dielectric Withstanding Voltage: 1500V
- Insertion Loss: -1.0dB max. @1-100MHz
- Return Loss: -10dB min. @1-80MHz
- Cross Talk: -33dB min. @1-100MHz

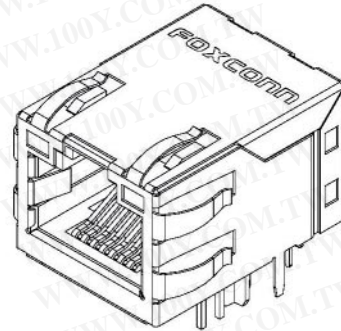
### Mechanical:

- Mating Force: 4Pounds max.
- Unmating Force: 10Pounds max.
- Durability: 1000 Cycles

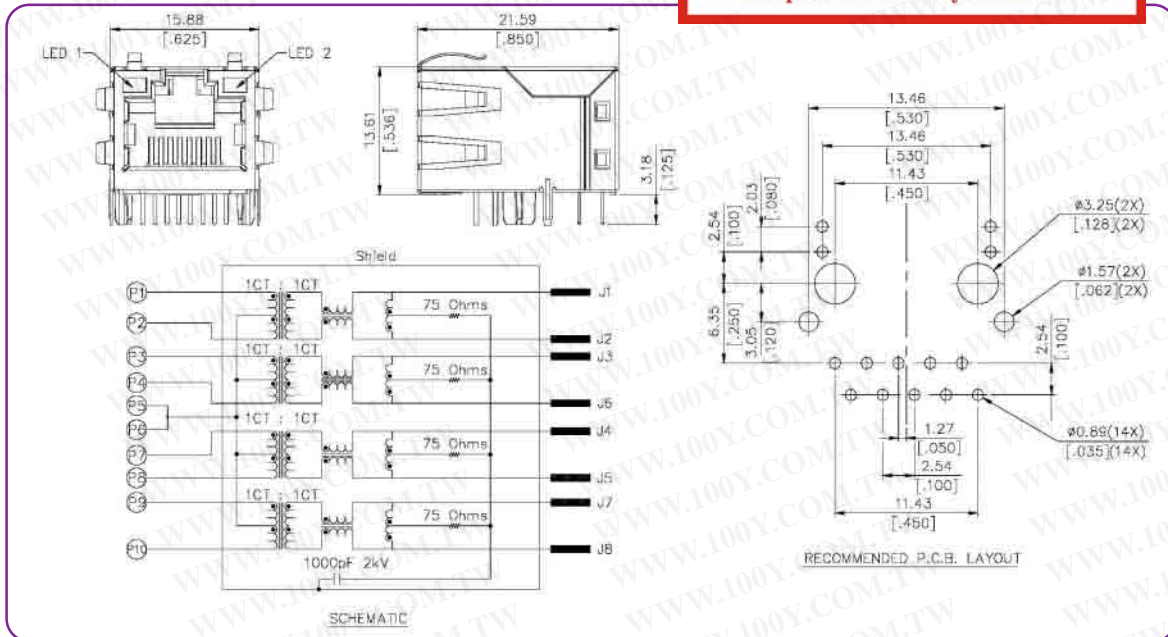
### Physical:

- Housing: Thermoplastic, UL 94V-0 Rated in Black Color
- Contact: Copper Alloy
- Shell: Copper Alloy
- Operating Temperature: 0°C to + 85°C

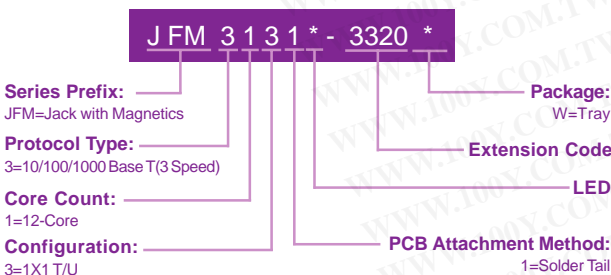
### Drawing:



勝特力材料 886-3-5753170  
 勝特力电子(上海) 86-21-54151736  
 勝特力电子(深圳) 86-755-83298787  
[Http://www.100y.com.tw](http://www.100y.com.tw)



### Order Information:



P/N	LED 1	LED 2
JFM3131B-3320*	Green	Orange-Yellow
JFM3131A-3320*	Green	Green-Yellow
JFM31312-3320*	Green	Green-Green
JFM31311-3320*	Yellow	Green
JFM31310-3320*	None	None

## JFM Series RJ45 2X1 R/A, T/H Type 1.00mm [.039"] Pitch 10/1000 Base-T

### Electrical:

- Current Rating: 0.5A max.
- Dielectric Withstanding Voltage: 1500V
- Insertion Loss: -1.0dB max. @1-100MHz
- Return Loss: -10dB min. @1-100MHz
- Cross Talk: -35dB min. @1-100MHz

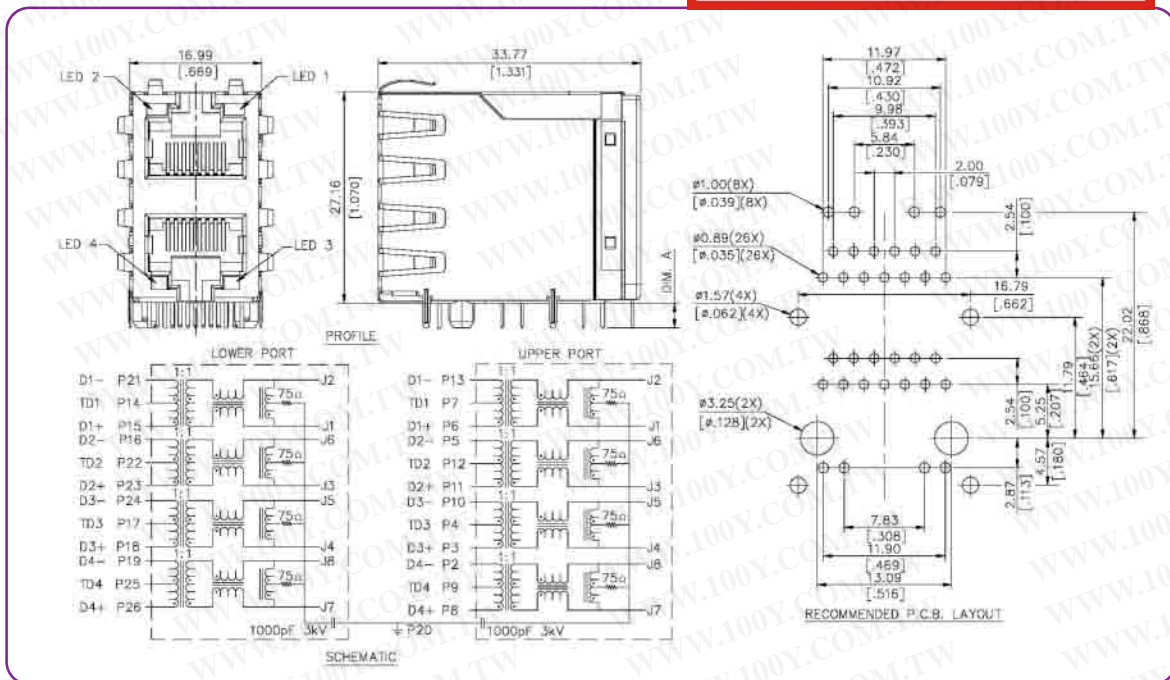
### Mechanical:

- Mating Force: 4Pounds max.
- Unmating Force: 10Pounds max.
- Durability: 1000 Cycles

### Physical:

- Housing: Thermoplastic, UL 94V-0 Rated in Black Color
- Contact: Copper Alloy
- Shell: Copper Alloy
- Operating Temperature: 0°C to + 70°C

### Drawing:



勝特力材料 886-3-5753170  
 勝特力电子(上海) 86-21-54151736  
 勝特力电子(深圳) 86-755-83298787  
[Http://www.100y.com.tw](http://www.100y.com.tw)

### Order Information:

JFM 3 1 A 1 A - 01\*\* W

**Series Prefix:**  
JFM=Jack with Magnetics

**Protocol Type:**  
3=10/100/1000 Base T(3 Speed)

**Core Count:**  
1=12-Core(Gigabit)

**Configuration:**  
A=2X1

**Package:**  
W=Tray

**Extension Code**

**LEDs:**  
A=Green-Green/Yellow

**PCB Attachment Method:**  
1=Solder Tail

P/N	LED 1&3	LED 2&4	DIM. A
JF31A1A-0116W	Green-Yellow	Green	2.16[.085]
JF31A1A-0115W	Green-Yellow	Green	3.18[.125]
JF31A1A-0106W	Green-Yellow	Green	2.16[.085]
JF31A1A-0105W	Green-Yellow	Green	3.18[.125]

# Modular Jack

Board to Board Connector  
Modular Jack  
IC Socket

## JFM Series RJ45 2X6 R/A, T/H Type 1.27mm [.050"] Pitch 10/1000 Base-T

### Electrical:

- Current Rating: 0.5A max.
- Dielectric Withstanding Voltage: 1000V
- Insertion loss: -1.0dB max @1-100MHz.
- Cross Talk: -40dB min @1-100MHz.

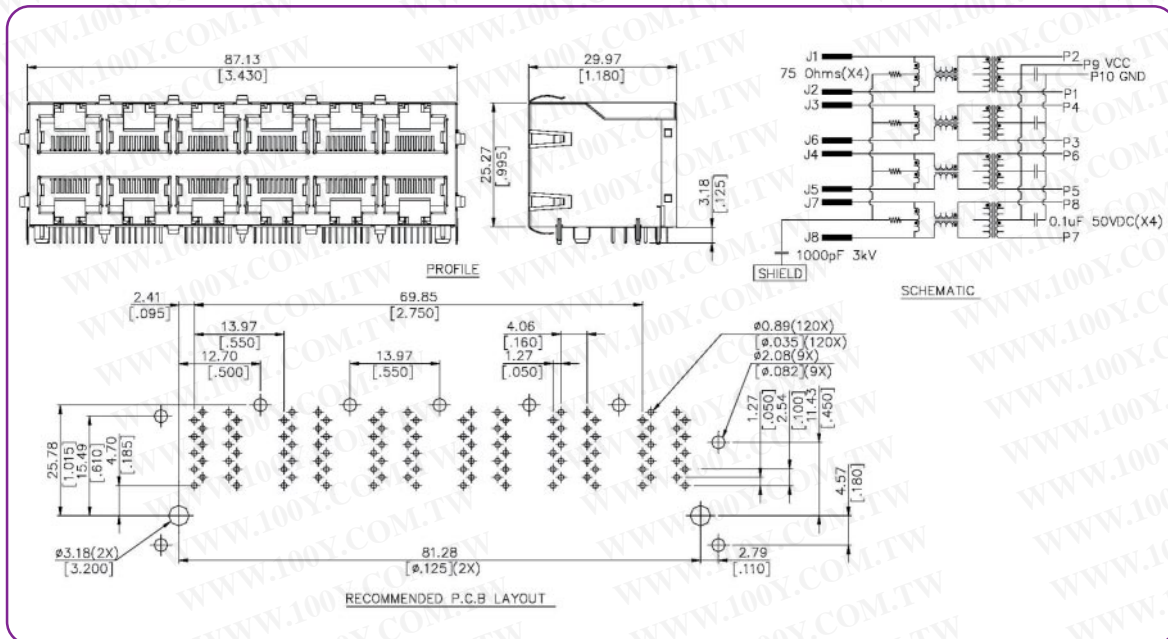
### Mechanical:

- Mating Force: 4Pounds max.
- Unmating Force: 10Pounds max.
- Durability: 1000 Cycles

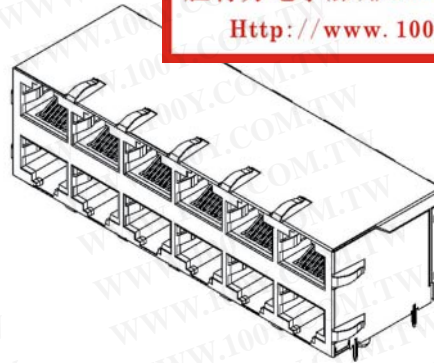
### Physical:

- Housing: Thermoplastic, UL 94V-0 Rated in Black Color
- Contact: Copper Alloy
- Shell: Copper Alloy
- Operating Temperature: 0°C to + 70°C

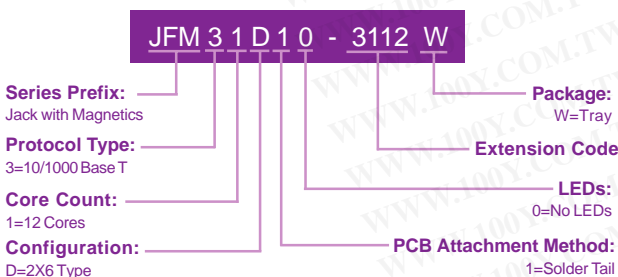
### Drawing:



勝特力材料 886-3-5753170  
 勝特力电子(上海) 86-21-54151736  
 勝特力电子(深圳) 86-755-83298787  
[Http://www.100y.com.tw](http://www.100y.com.tw)



### Order Information:



## JFM Series RJ45 2X6 R/A, T/H Type 1.27mm [.050"] Pitch 10/1000 Base-T

### Electrical:

- Current Rating: 0.5A max.
- Dielectric Withstanding Voltage: 1000V.
- Insertion loss: -1.0dB max @1-100MHz.
- Cross Talk: -40dB min @1-100MHz.

勝特力材料 886-3-5753170  
 勝特力电子(上海) 86-21-54151736  
 勝特力电子(深圳) 86-755-83298787  
[Http://www.100y.com.tw](http://www.100y.com.tw)

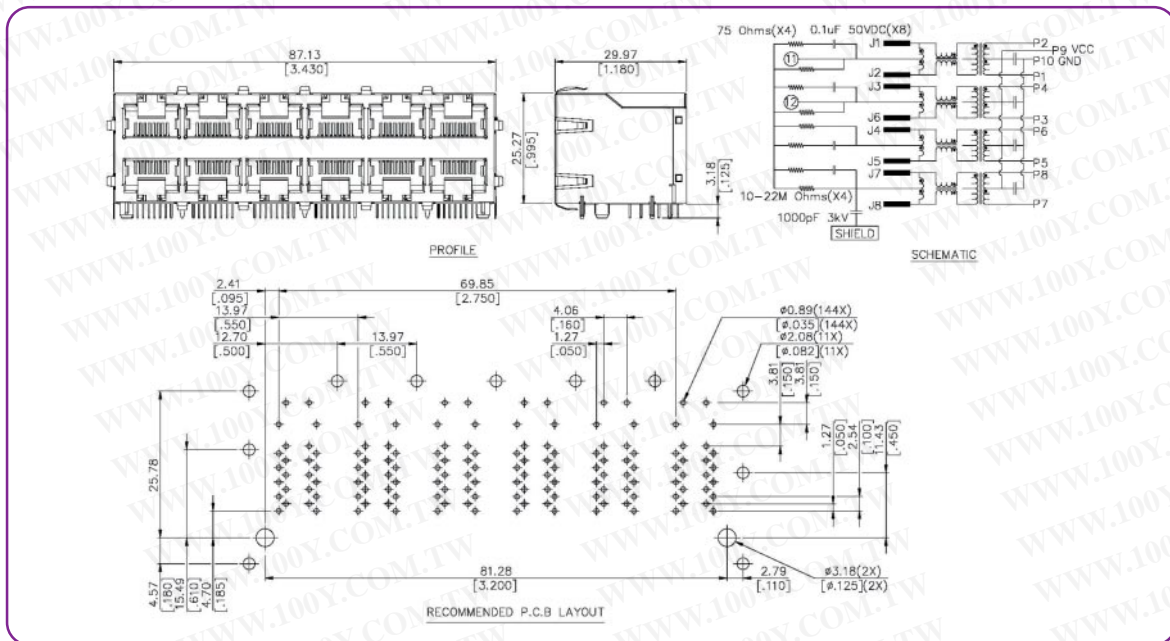
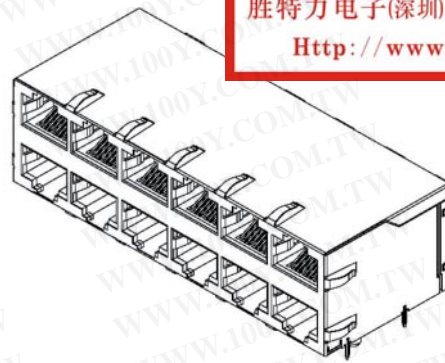
### Mechanical:

- Mating Force: 4Pounds max.
- Unmating Force: 10Pounds max.
- Durability: 1000 Cycles

### Physical:

- Housing: Thermoplastic, UL 94V-0 Rated in Black Color
- Contact: Copper Alloy
- Shell: Copper Alloy
- Operating Temperature: 0°C to + 70°C

### Drawing:



### Order Information:

**JFM 3 1 D 10 - 3122 W**

- Series Prefix:** Jack with Magnetics
- Protocol Type:** 3=10/1000 Base T
- Core Count:** 1=12 Cores
- Configuration:** D=2X6 Type
- Package:** W=Tray
- Extension Code:**
- LEDs:** 0=No LEDs
- PCB Attachment Method:** 1=Solder Tail

# Modular Jack

Board to Board Connector  
Modular Jack  
IC Socket

## JFM Series RJ45 2X8 R/A, T/H Type 1.27mm [.050"] Pitch 10/1000 Base-T

### Electrical:

- Current Rating: 0.5A max.
- Dielectric Withstanding Voltage: 1000V.
- Insertion loss: -1.0dB max @1-100MHz.
- Cross Talk: -40dB min @1-100MHz.

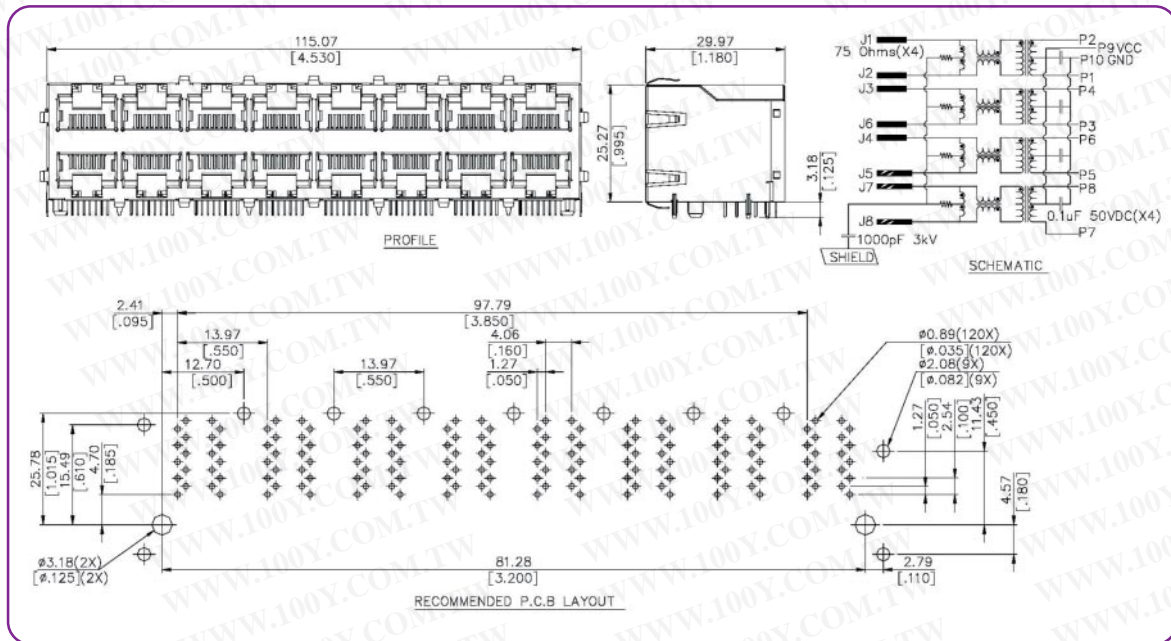
### Mechanical:

- Mating Force: 4Pounds max.
- Unmating Force: 10Pounds max.
- Durability: 1000 Cycles

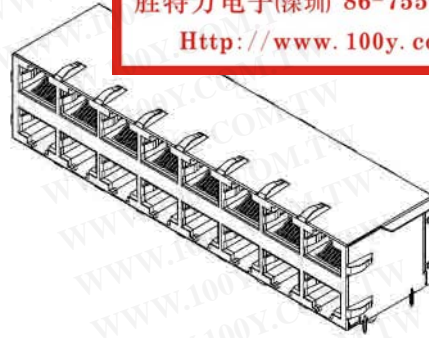
### Physical:

- Housing: Thermoplastic, UL 94V-0 Rated in Black Color
- Contact: Copper Alloy
- Shell: Copper Alloy
- Operating Temperature: 0°C to + 70°C

### Drawing:



勝特力材料 886-3-5753170  
 勝特力电子(上海) 86-21-54151736  
 勝特力电子(深圳) 86-755-83298787  
[Http://www.100y.com.tw](http://www.100y.com.tw)



### Order Information:

JFM 3 1 E 1 0 - 3112 W

- Series Prefix:** JFM=Jack with Magnetics
- Protocol Type:** 3=10/1000 Base T
- Core Count:** 1=12 Cores
- Configuration:** E=2X8 Type
- Package:** W=Tray
- Extension Code:** 3112
- LEDs:** 0=No LEDs
- PCB Attachment Method:** 1=Solder Tail

## J1 Series RJ45 1X1 R/A, T/H Type 1.27mm [.050"] Pitch

### Electrical:

- Current Rating: 1.5A max.
- Contact Resistance: 50mΩ. max.
- Dielectric Withstanding Voltage: 1000V
- Cross Talk: -40dB min @1-100MHz

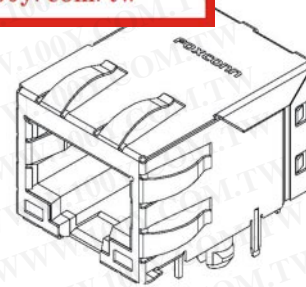
勝特力材料 886-3-5753170  
 勝特力电子(上海) 86-21-54151736  
 勝特力电子(深圳) 86-755-83298787  
[Http://www.100y.com.tw](http://www.100y.com.tw)

### Mechanical:

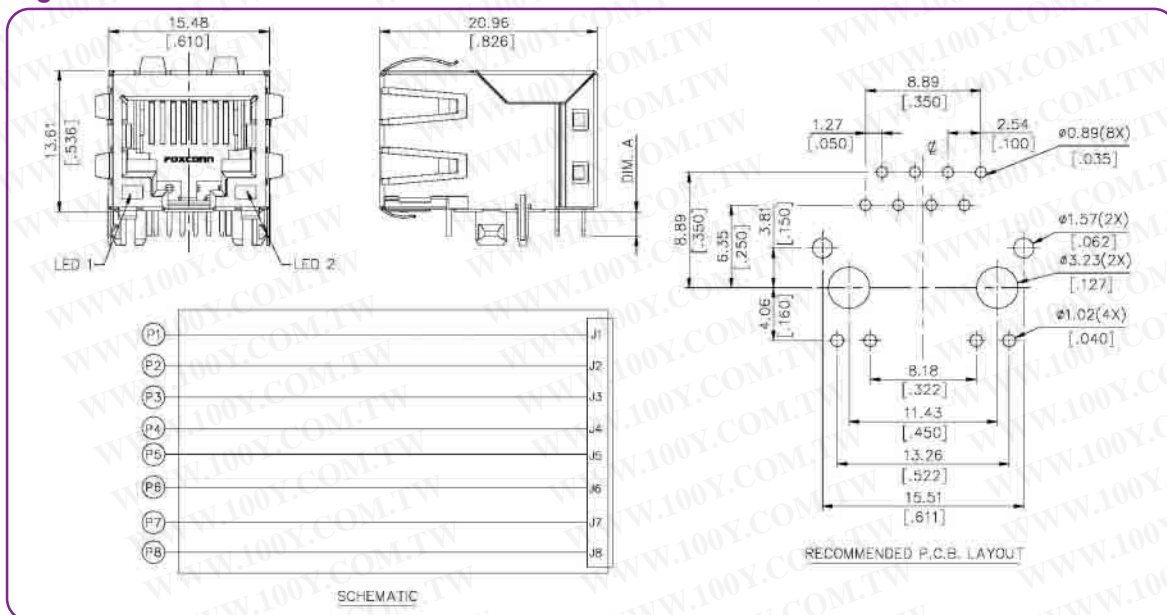
- Mating Force: 4Pounds max.
- Unmating Force: 4Pounds max.
- Durability: 1000 Cycles

### Physical:

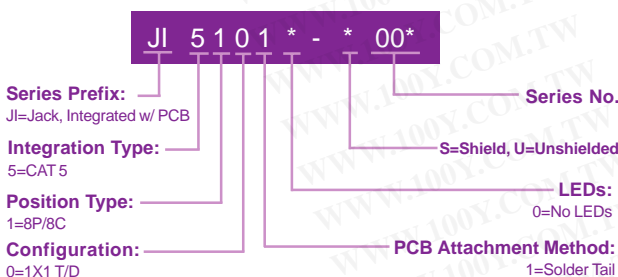
- Housing: Thermoplastic, UL 94V-0 Rated in Black Color
- Contact: Copper Alloy
- Shell: Copper Alloy
- Operating Temperature: 0°C to + 70°C



### Drawing:



### Order Information:



P/N	LED 1	LED 2
J15101B-S00*	Green	Green-Orange
J15101A-S00*	Green	Green-Yellow
J151019-S00*	Green	Red
J151018-S00*	Red	Green
J151017-S00*	Yellow	Red
J151016-S00*	Red	Yellow
J151015-S00*	Red	Red
J151014-S00*	Yellow	Yellow
J151013-S00*	Green	Yellow
J151012-S00*	Green	Green
J151011-S00*	Yellow	Green
J151010-S00*	None	None
P/N	DIM.A	
J15101*-S00X(X=1,2,3)	3.21[.126]	
J15101*-S004	2.29[.090]	

# Modular Jack

Board to Board Connector

Modular Jack

IC Socket

## JM Series RJ11 1X1 VT, T/H Type 1.27mm [.050"] Pitch

### Electrical:

- Current Rating: 1.5A max.
- Contact Resistance: 50mΩ max.
- Dielectric Withstanding Voltage: 1000V

勝特力材料 886-3-5753170  
 勝特力电子(上海) 86-21-54151736  
 勝特力电子(深圳) 86-755-83298787  
[Http://www.100y.com.tw](http://www.100y.com.tw)

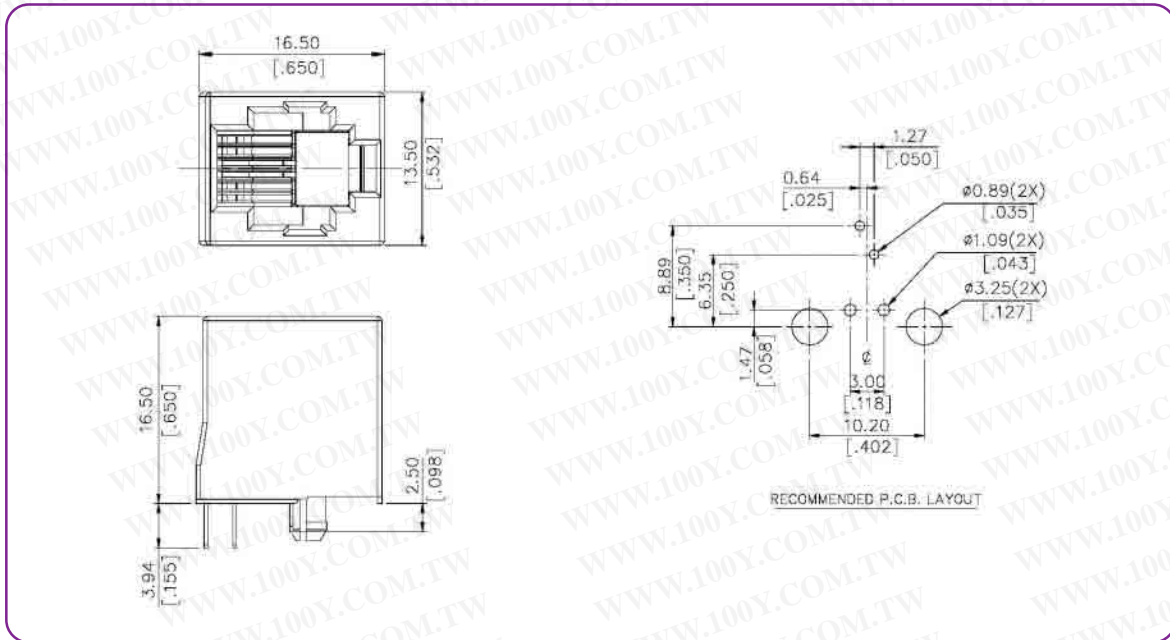
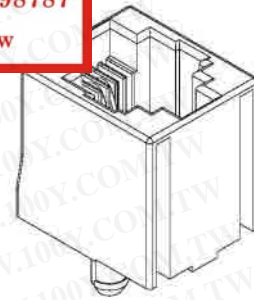
### Mechanical:

- Mating Force: 5Pounds max.
- Unmating Force: 10Pounds max.
- Durability: 1000 Cycles

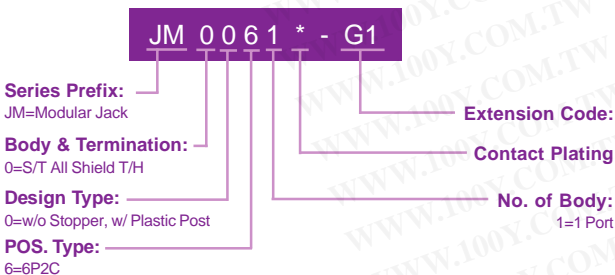
### Physical:

- Housing: Thermoplastic, UL 94V-0 Rated in Black Color
- Contact: Copper Alloy
- Plating: See "ORDERING INFORMATION"
- Shell: Copper Alloy
- Operating Temperature: -30°C to + 85°C

### Drawing:



### Order Information:



P/N	Contact Plating
JM00617-G1	15 u" Gold
JM00615-G1	50 u" Gold
JM00613-G1	30 u" Gold
JM00611-G1	Gold Flash



## JM Series RJ45 1X1 R/A, T/H Type 1.02mm [.040"] Pitch

### Electrical:

- Current Rating: 1.5A max.
- Contact Resistance: 50mΩ max.
- Dielectric Withstanding Voltage: 1000V

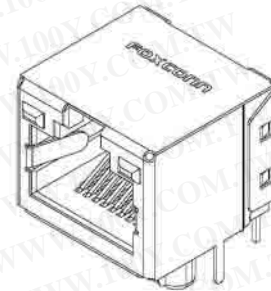
### Mechanical:

- Mating Force: 5Pounds max.
- Unmating Force: 10Pounds max.
- Durability: 1000 Cycles

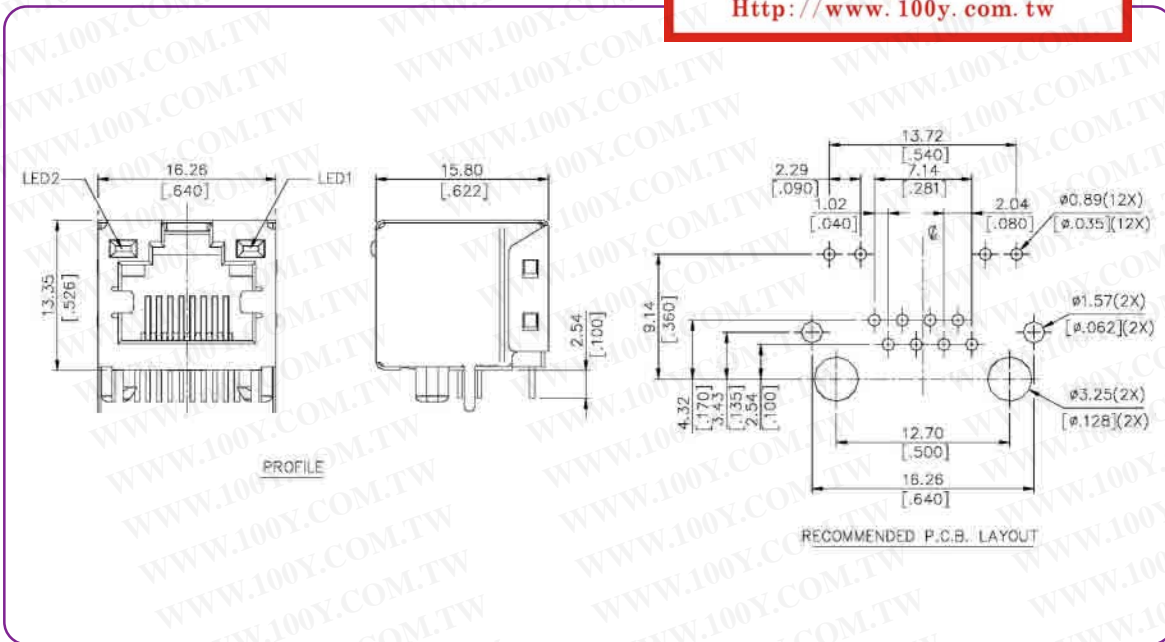
### Physical:

- Housing: Thermoplastic, UL 94V-0 Rated in Black Color
- Contact: Copper Alloy
- Plating: See "ORDERING INFORMATION"
- Shell: Copper Alloy
- Operating Temperature: -30°C to + 85°C

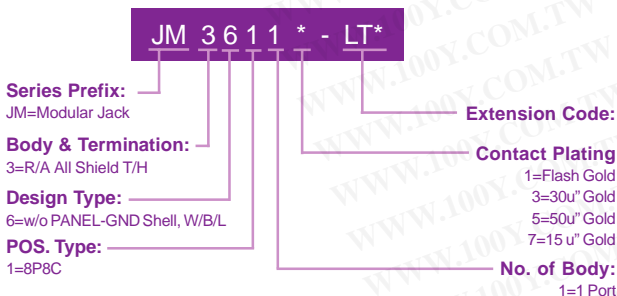
### Drawing:



勝特力材料 886-3-5753170  
勝特力电子(上海) 86-21-54151736  
勝特力电子(深圳) 86-755-83298787  
[Http://www.100y.com.tw](http://www.100y.com.tw)



### Order Information:



P/N	LED 2	LED 1
JM3611*-LT9	Yellow-Green	Yellow-Green
JM3611*-LT8	Yellow-Green	Yellow
JM3611*-LT7	Orange-Green	Yellow
JM3611*-LT6	Green	Red
JM3611*-LT5	TBD	
JM3611*-LT4	Yellow	Yellow
JM3611*-LT3	Green	Yellow
JM3611*-LT2	Green	Green
JM3611*-LT1	Yellow	Green
JM3611*-LT0	None	None

# Modular Jack

Board to Board Connector  
Modular Jack  
IC Socket

## JM Series J45 1X1 R/A, T/H Type 1.02mm [.040"] Pitch

### Electrical:

- Current Rating: 1.5A max.
- Contact Resistance: 50mΩ max.
- Dielectric Withstanding Voltage: 1000V

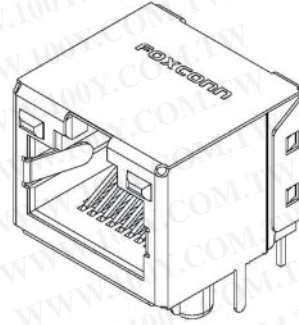
### Mechanical:

- Mating Force: 5Pounds max.
- Unmating Force: 10Pounds max.
- Durability: 1000 Cycles

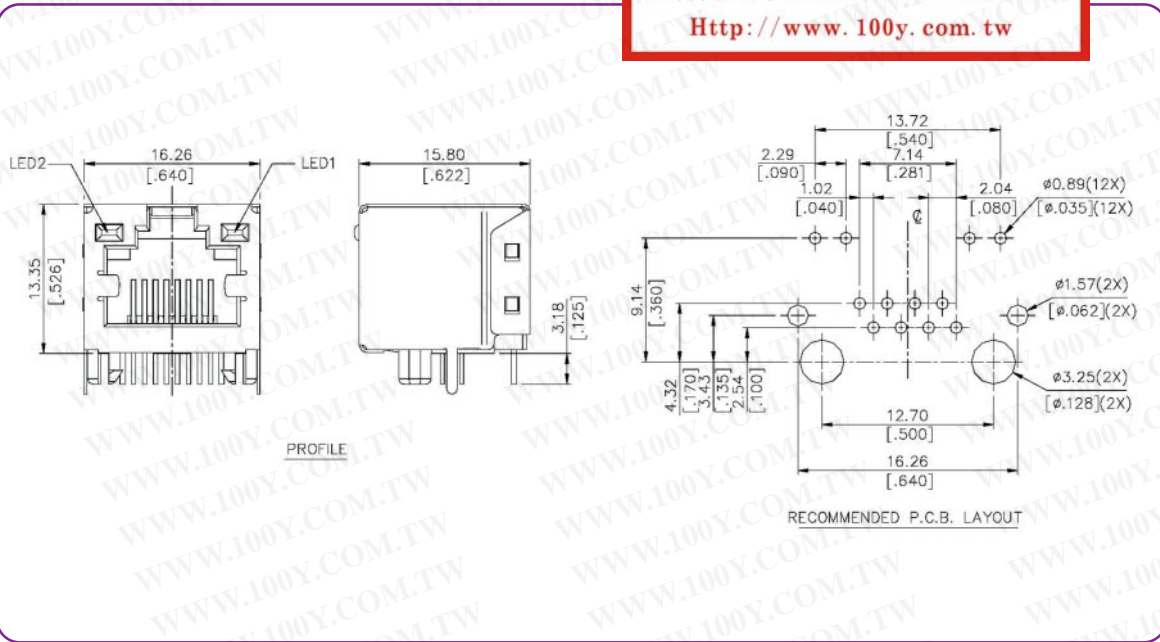
### Physical:

- Housing: Thermoplastic, UL 94V-0 Rated in Black Color
- Contact: Copper Alloy
- Plating: See "ORDERING INFORMATION"
- Shell: Copper Alloy
- Operating Temperature: -30°C to + 85°C

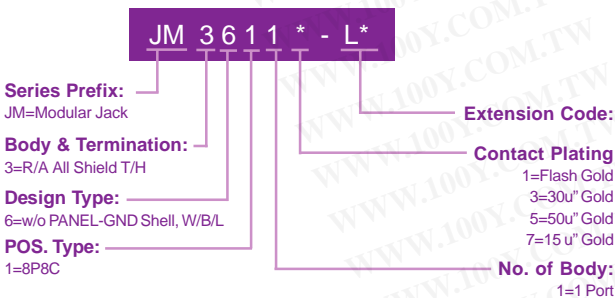
### Drawing:



勝特力材料 886-3-5753170  
勝特力电子(上海) 86-21-54151736  
勝特力电子(深圳) 86-755-83298787  
[Http://www.100y.com.tw](http://www.100y.com.tw)



### Order Information:



P/N	LED 2	LED 1
JM3611*-L4	Yellow	Yellow
JM3611*-L3	Green	Yellow
JM3611*-L2	Green	Green
JM3611*-L1	Yellow	Green
JM3611*-L0	None	None

## JM Series RJ45 1X1 R/A, T/H Type 1.02mm [.040"] Pitch

### Electrical:

- Current Rating: 1.5A max.
- Contact Resistance: 50mΩ max.
- Dielectric Withstanding Voltage: 1000V

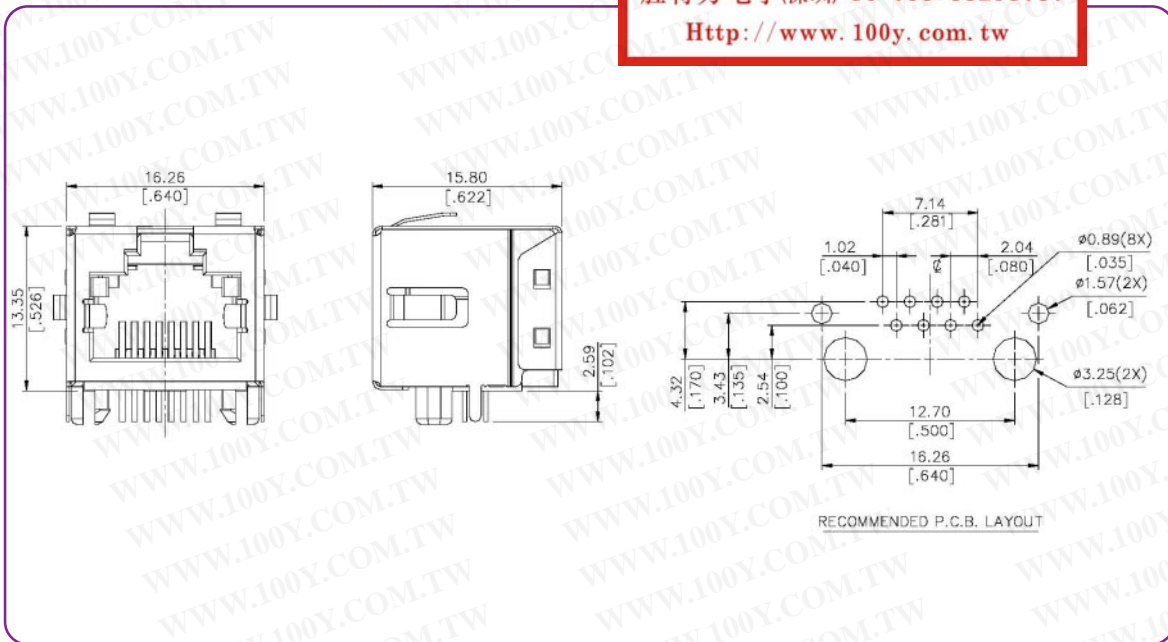
### Mechanical:

- Mating Force: 5Pounds max.
- Unmating Force: 10Pounds max.
- Durability: 1000 Cycles

### Physical:

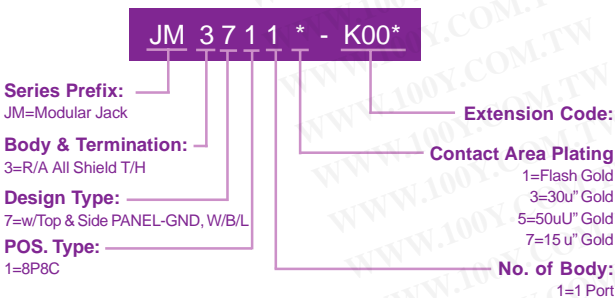
- Housing: Thermoplastic, UL 94V-0 Rated in Black Color
- Contact: Copper Alloy
- Plating: See "ORDERING INFORMATION"
- Shell: Copper Alloy
- Operating Temperature: -30°C to + 85°C

### Drawing:



勝特力材料 886-3-5753170  
 勝特力电子(上海) 86-21-54151736  
 勝特力电子(深圳) 86-755-83298787  
[Http://www.100y.com.tw](http://www.100y.com.tw)

### Order Information:



P/N	Housing Color
JM3711*-K003	Moon Gray 3
JM3711*-K002	Pearl White
JM3711*-K001	Black

# Modular Jack

Board to Board Connector

Modular Jack

IC Socket

## JM Series RJ45 1X1 R/A, T/H Type 1.02mm [.040"] Pitch

### Electrical:

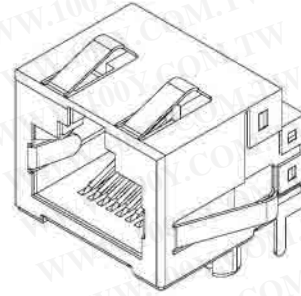
- Current Rating: 1.5A max.
- Contact Resistance: 50mΩ max.
- Dielectric Withstanding Voltage: 1000V

### Mechanical:

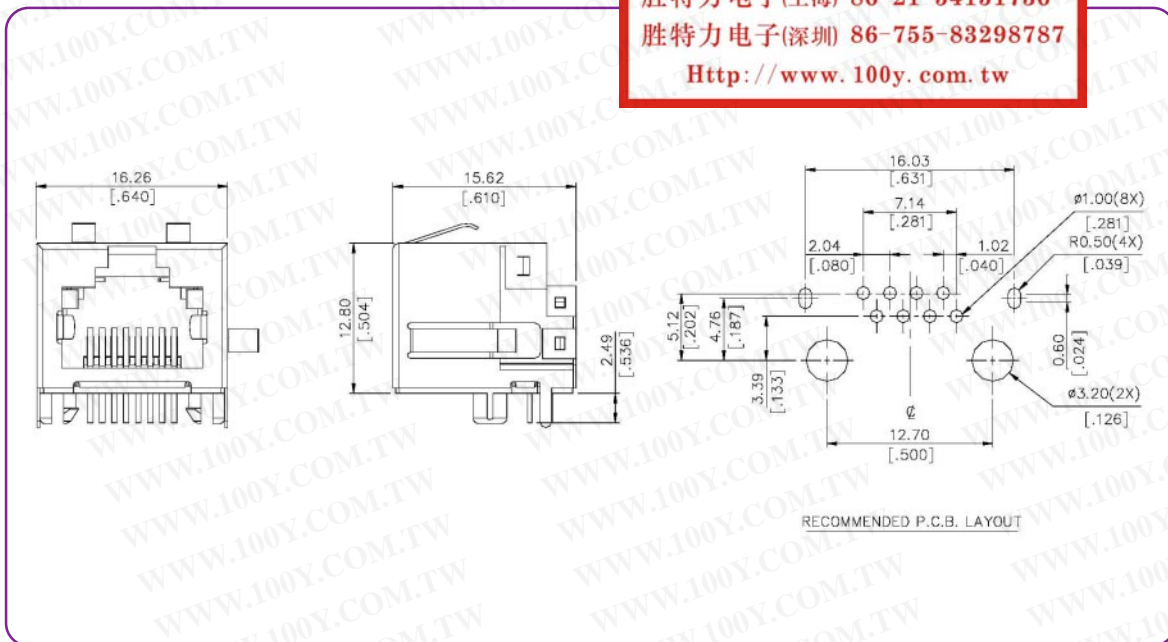
- Mating Force: 5Pounds max.
- Unmating Force: 10Pounds max.
- Durability: 1000 Cycles

### Physical:

- Housing: Thermoplastic, UL 94V-0 Rated in Black Color
- Contact: Copper Alloy
- Plating: See "ORDERING INFORMATION"
- Shell: Copper Alloy
- Operating Temperature: -30°C to + 85°C



### Drawing:



### Order Information:

JM 3 7 1 1 \* - L0 L

**Series Prefix:**  
JM=Modular Jack

**Body & Termination:**  
3=R/A All Shield T/H

**Design Type:**  
7=w/Top & Side PANEL-GND, W/B/L

**POS. Type:**  
1=8P8C

**Low Profile**

**Extension Code:**

**Contact Plating**

1=Flash Gold

3=30u" Gold

5=50u" Gold

7=15 u" Gold

**No. of Body:**

1=1 Port

## JM Series RJ45 1X1 R/A, T/H Type 1.02mm [.040"] Pitch

### Electrical:

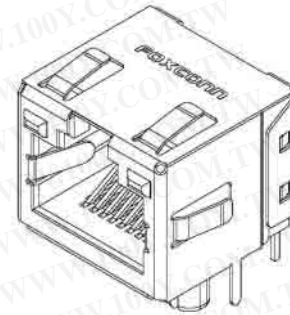
- Current Rating: 1.5A max.
- Contact Resistance: 50mΩ max.
- Dielectric Withstanding Voltage: 1000V

### Mechanical:

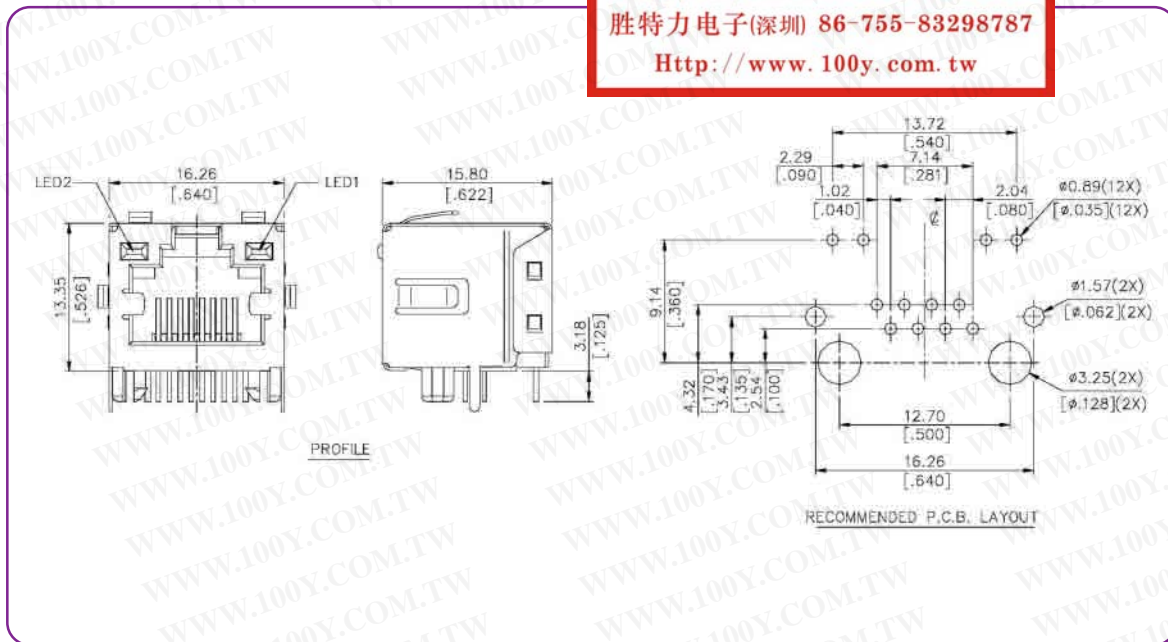
- Mating Force: 5Pounds max.
- Unmating Force: 10Pounds max.
- Durability: 1000 Cycles

### Physical:

- Housing: Thermoplastic, UL 94V-0 Rated in Black Color
- Contact: Copper Alloy
- Plating: See "ORDERING INFORMATION"
- Shell: Copper Alloy
- Operating Temperature: -30°C to + 85°C

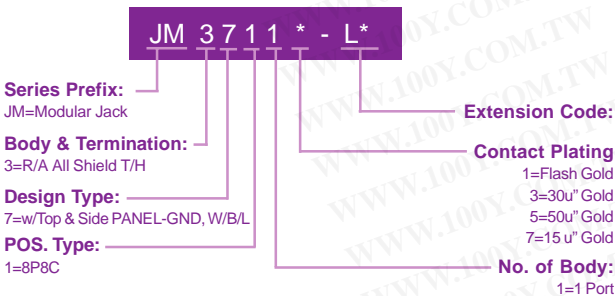


### Drawing:



勝特力材料 886-3-5753170  
 勝特力电子(上海) 86-21-54151736  
 勝特力电子(深圳) 86-755-83298787  
[Http://www.100y.com.tw](http://www.100y.com.tw)

### Order Information:



P/N	LED 2	LED 1
JM3711*-L4	Yellow	Yellow
JM3711*-L3	Green	Yellow
JM3711*-L2	Green	Green
JM3711*-L1	Yellow	Green
JM3711*-L0	None	None

# Modular Jack

Board to Board Connector  
Modular Jack  
IC Socket

## JM Series RJ45 1X4 R/A, T/H Type 1.02mm [.040"] Pitch

### Electrical:

- Current Rating: 1.5A max.
- Contact Resistance: 50mΩ max.
- Dielectric Withstanding Voltage: 1000V

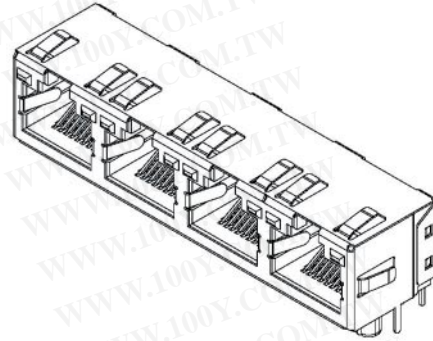
### Mechanical:

- Mating Force: 5Pounds max.
- Unmating Force: 10Pounds max.
- Durability: 1000 Cycles

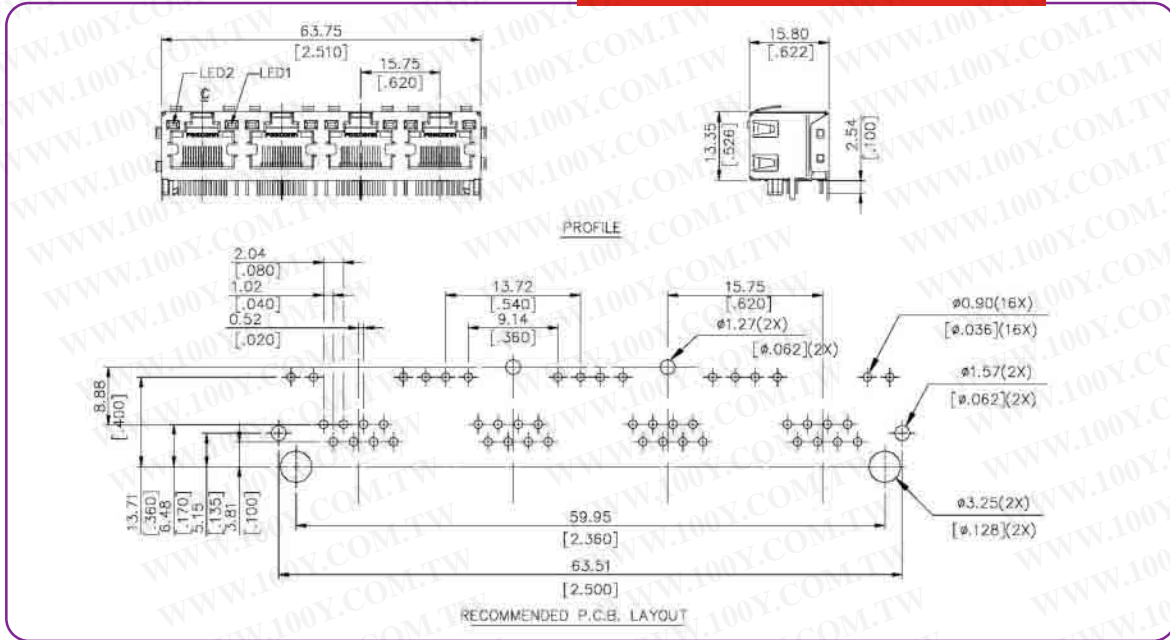
### Physical:

- Housing: Thermoplastic, UL 94V-0 Rated in Black Color
- Contact: Copper Alloy
- Plating: See "ORDERING INFORMATION"
- Shell: Copper Alloy.
- Operating Temperature: -30°C to + 85°C

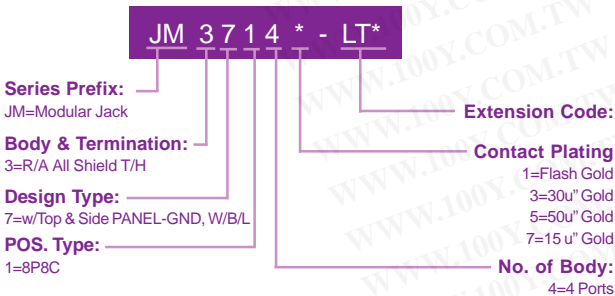
### Drawing:



勝特力材料 886-3-5753170  
勝特力电子(上海) 86-21-54151736  
勝特力电子(深圳) 86-755-83298787  
[Http://www.100y.com.tw](http://www.100y.com.tw)



### Order Information:



P/N	LED 2	LED 1
JM3714*-LT9	Yellow-Green	Yellow-Green
JM3714*-LT8	Yellow-Green	Yellow
JM3714*-LT7	Orange-Green	Yellow
JM3714*-LT6	Green	Red
JM3714*-LT5		TBD
JM3714*-LT4	Yellow	Yellow
JM3714*-LT3	Green	Yellow
JM3714*-LT2	Green	Green
JM3714*-LT1	Yellow	Green
JM3714*-LT0	None	None

## JM Series RJ45 1X1 R/A, T/H Type 1.02mm [.040"] Pitch

### Electrical:

- Current Rating: 1.5A max.
- Contact Resistance: 50mΩ max.
- Dielectric Withstanding Voltage: 1000V

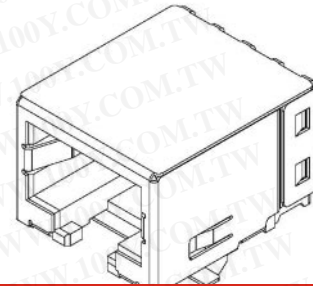
### Mechanical:

- Mating Force: 5Pounds max.
- Unmating Force: 10Pounds max.
- Durability: 1000 Cycles

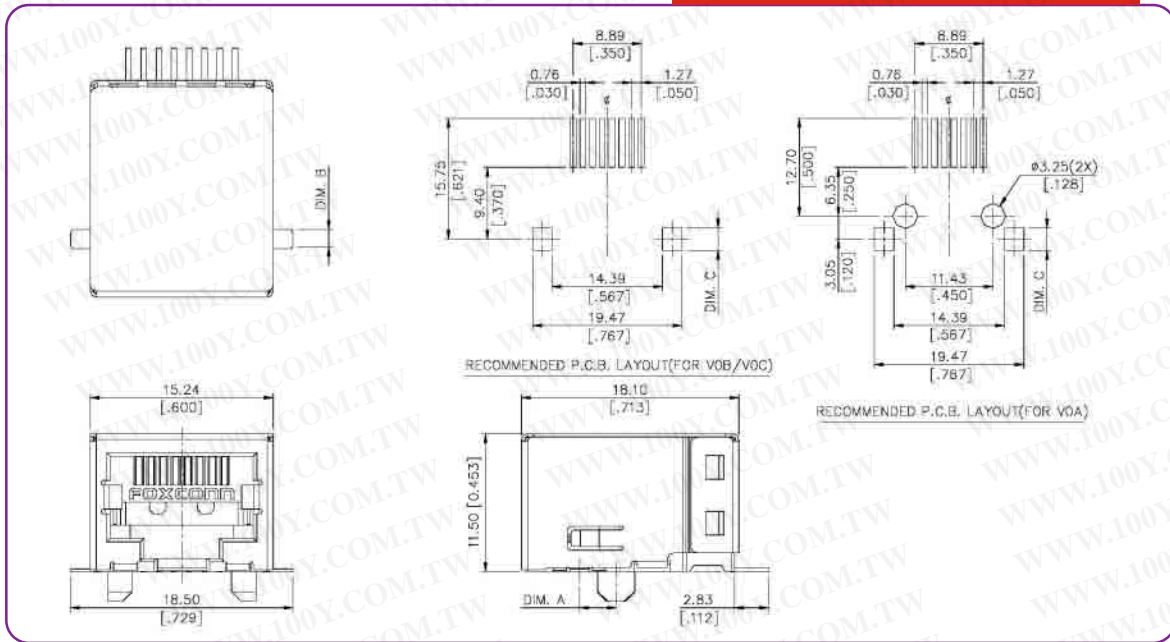
### Physical:

- Housing: Thermoplastic, UL 94V-0 Rated in Black Color
- Contact: Copper Alloy
- Plating: See "ORDERING INFORMATION"
- Shell: Copper Alloy.
- Operating Temperature: -30°C to + 85°C

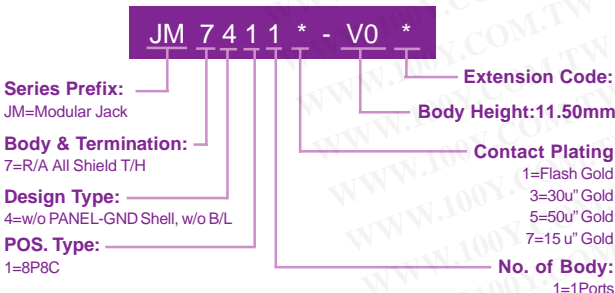
### Drawing:



勝特力材料 886-3-5753170  
勝特力电子(上海) 86-21-54151736  
勝特力电子(深圳) 86-755-83298787  
[Http://www.100y.com.tw](http://www.100y.com.tw)



### Order Information:



P/N	Dim.A	Dim.B	Dim.C	Description
JM7411*-V0A	3.05	1.60	2.54	w/ Plastic Post
JM7411*-V0B	None	3.75	4.69	w/o Plastic Post
JM7411*-V0C	None	1.60	2.54	w/o Plastic Post

# Modular Jack

Board to Board Connector  
Modular Jack  
IC Socket

## JM Series RJ11 1X1 R/A, SMT Type 1.02mm [.040"] Pitch

### Electrical:

- Current Rating: 1.5A max.
- Contact Resistance: 50mΩ max.
- Dielectric Withstanding Voltage: 1000V

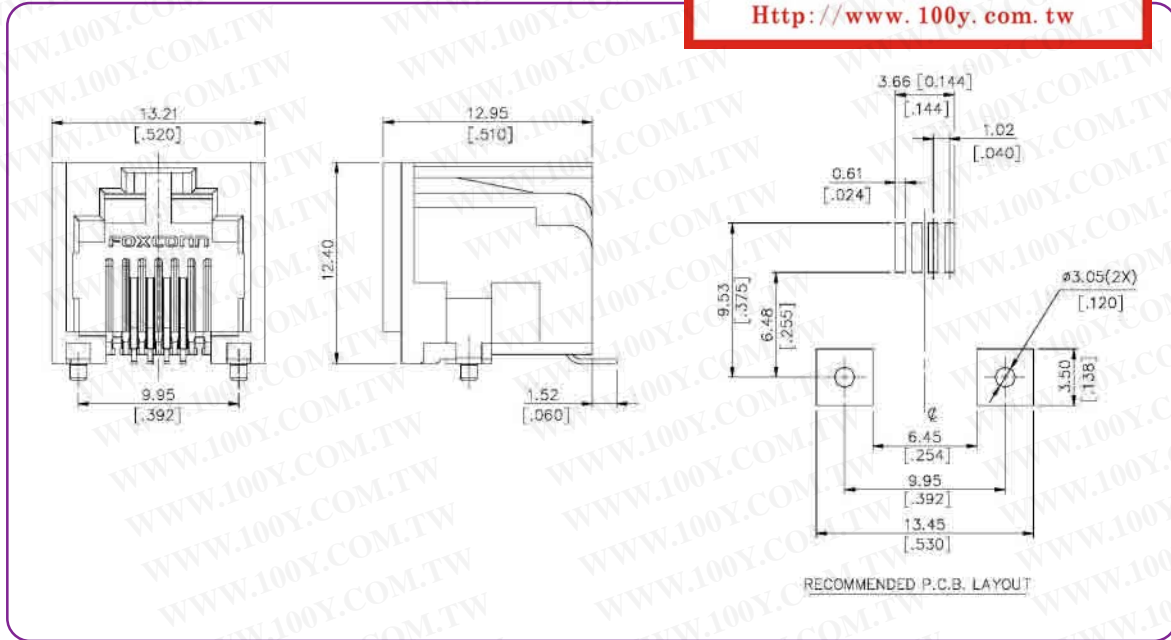
### Mechanical:

- Mating Force: 5Pounds max.
- Unmating Force: 10Pounds max.
- Durability: 1000 Cycles

### Physical:

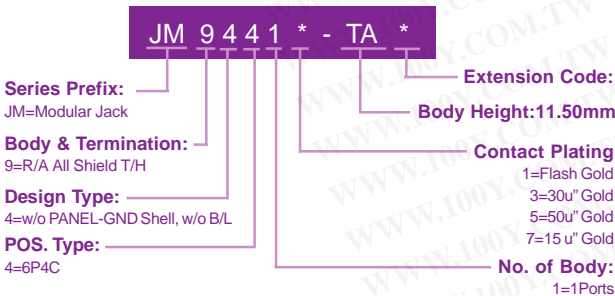
- Housing: Thermoplastic, UL 94V-0 Rated in Black Color
- Contact: Copper Alloy
- Plating: See "ORDERING INFORMATION"
- Shell: Copper Alloy.
- Operating Temperature: -30°C to + 85°C

### Drawing:



勝特力材料 886-3-5753170  
 勝特力电子(上海) 86-21-54151736  
 勝特力电子(深圳) 86-755-83298787  
[Http://www.100y.com.tw](http://www.100y.com.tw)

### Order Information:



P/N	Housing Color
JM9441*-TA1	Cloud White
JM9441*-TA2	Black
JM9441*-TA5	Pearl White



## JM Series RJ11 1X2 R/A, SMT Type 1.02mm [.040"] Pitch

### Electrical:

- Current Rating: 1.5A max.
- Contact Resistance: 50mΩ max.
- Dielectric Withstanding Voltage: 1000V

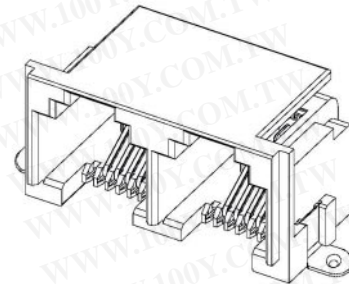
### Mechanical:

- Mating Force: 5Pounds max.
- Unmating Force: 3.5Pounds max.
- Durability: 1000 Cycles

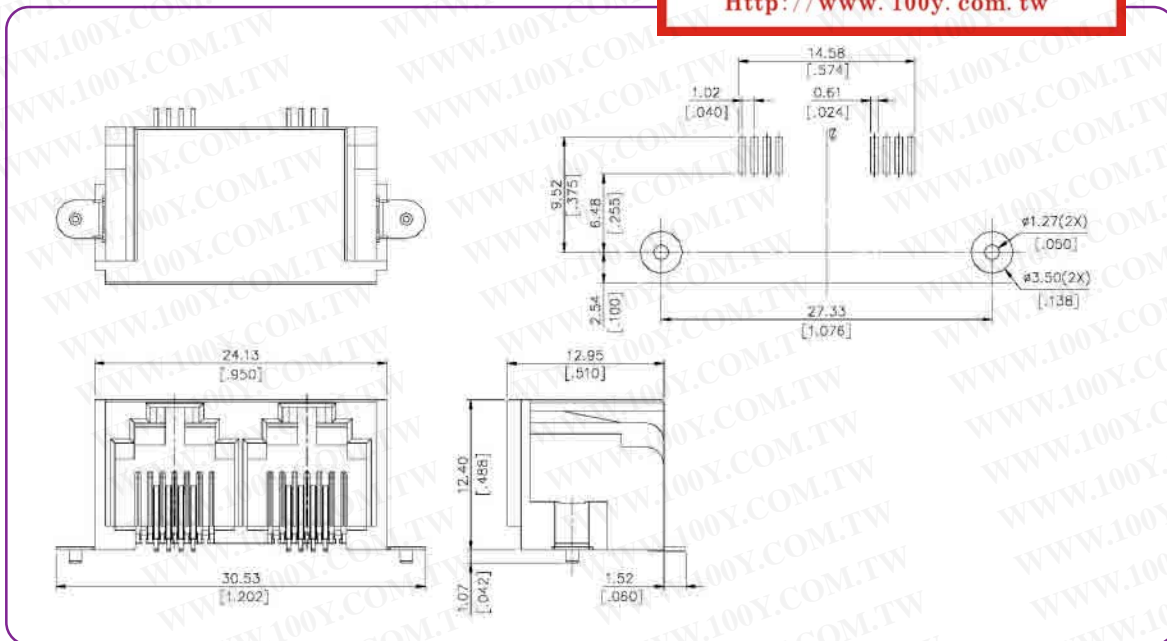
### Physical:

- Housing: Thermoplastic, UL 94V-0 Rated in Black Color
- Contact: Copper Alloy
- Plating: See "ORDERING INFORMATION"
- Shell: Copper Alloy.
- Operating Temperature: -30°C to + 85°C

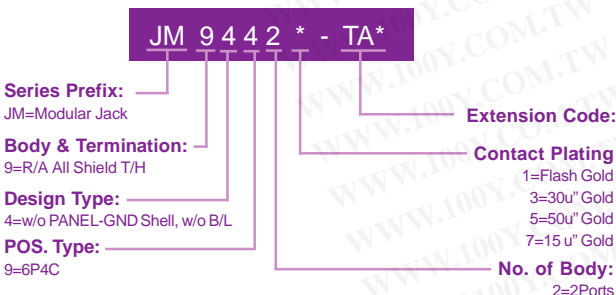
### Drawing:



勝特力材料 886-3-5753170  
 勝特力电子(上海) 86-21-54151736  
 勝特力电子(深圳) 86-755-83298787  
[Http://www.100y.com.tw](http://www.100y.com.tw)



### Order Information:



P/N	Housing Color
JM9442*-TA1	Cloud White
JM9442*-TA2	Black
JM9442*-TA5	Pearl White

# Modular Jack

Board to Board Connector

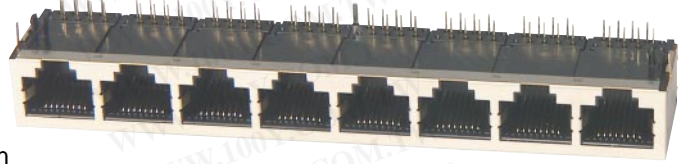
Modular Jack

IC Socket

## Side Entry Shielded Gang Jack(390S Series)

### Electrical:

- Current Rating: 1.5 AMP
- Voltage Rating: 150 VAC
- Contact Resistance: 20m MAX
- Insulation Resistance: 500m MIN
- Dielectric Withstanding Voltage: 1000 VAC, 1 min

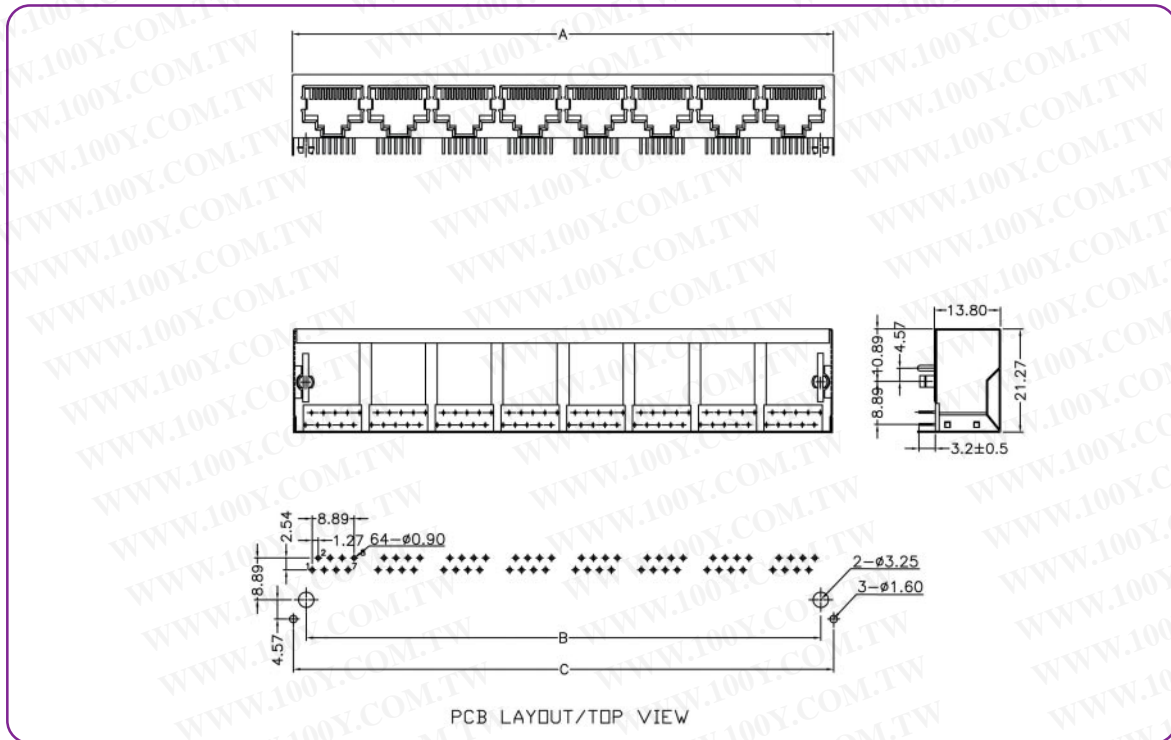


### Mechanical:

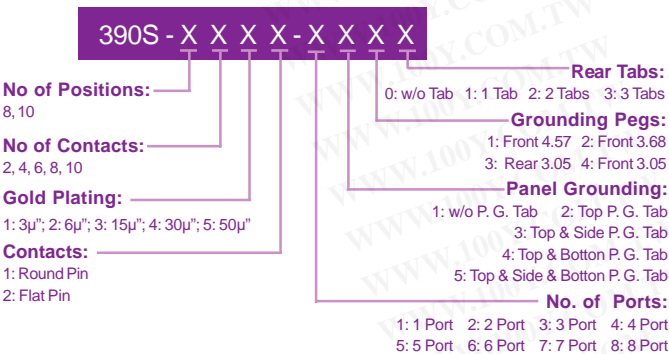
- Housing: PBT Polyester UL 94V-0
- Color: Black
- Contacts: 0.45mm diameter Phos- Bronze plated with hard gold or 0.35mm thickness alloy selective gold plating
- Shield: 0.25mm thickness copper alloy with tin/ nickel plated

勝特力材料 886-3-5753170  
 勝特力电子(上海) 86-21-54151736  
 勝特力电子(深圳) 86-755-83298787  
[Http://www.100y.com.tw](http://www.100y.com.tw)

### Drawing:



### Order Information:



Ports	A	B	C
1	15.88	11.43	15.49
2	31.12	25.40	30.87
4	59.06	53.34	58.81
5	73.03	67.31	72.78
6	87.00	81.28	86.75
8	114.94	109.22	114.69

- Please contact our sales rep. for more shielded options

## Side Entry Shielded Gang Jack(370S)

### Electrical:

- Current Rating: 1.5 AMP
- Voltage Rating: 150 VAC
- Contact Resistance: 20m MAX
- Insulation Resistance: 500m MIN
- Dielectric Withstanding Voltage: 1000 VAC, 1 min

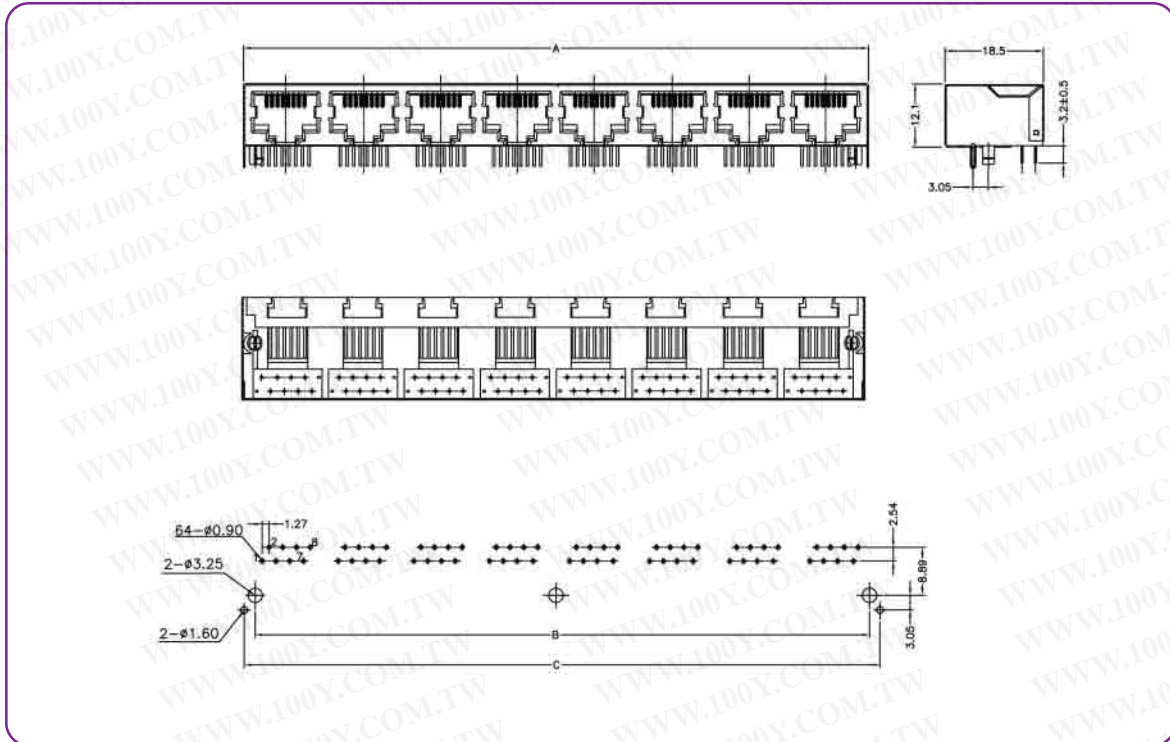


### Mechanical:

- Housing: PBT Polyester UL 94V-0
- Color: Black
- Contacts: 0.45mm diameter Phos- Bronze plated with hard gold or 0.35mm thickness alloy selective gold plating
- Shield: 0.25mm thickness copper alloy with tin/ nickel plated

勝特力材料 886-3-5753170  
 勝特力电子(上海) 86-21-54151736  
 勝特力电子(深圳) 86-755-83298787  
[Http://www.100y.com.tw](http://www.100y.com.tw)

### Drawing:



### Order Information:

370S - 10 X X X - X X X X

- No of Positions:** 10
- No of Contacts:** 2, 4, 6, 8, 10
- Gold Plating:** 1: 3µ"; 2: 6µ"; 3: 15µ"; 4: 30µ"; 5: 50µ"
- Contacts:** 1: Round Pin; 2: Flat Pin
- Rear Tabs:** 0: w/o Tab; 1: 1 Tab; 2: 2 Tabs; 3: 3 Tabs
- Grounding Pegs:** 3: Rear 3.05; 4: Front 3.05
- Panel Grounding:** 1: w/o P. G. Tab; 2: Top P. G. Tab; 3: Top & Side P. G. Tab
- No. of Ports:** 1: 1 Port; 2: 2 Port; 3: 3 Port; 4: 4 Port; 5: 5 Port; 6: 6 Port; 7: 7 Port; 8: 8 Port

Ports	A	B	C
1	15.80	11.43	15.54
2	31.24	25.40	30.87
4	59.18	53.34	58.81
6	87.12	81.28	86.75
8	115.06	109.22	114.69

- Please contact our sales rep. for more shielded options

# Modular Jack

Board to Board Connector

Modular Jack

IC Socket

## RJ45 8P Modular Jack(623KR/ 8P8C-SMT)

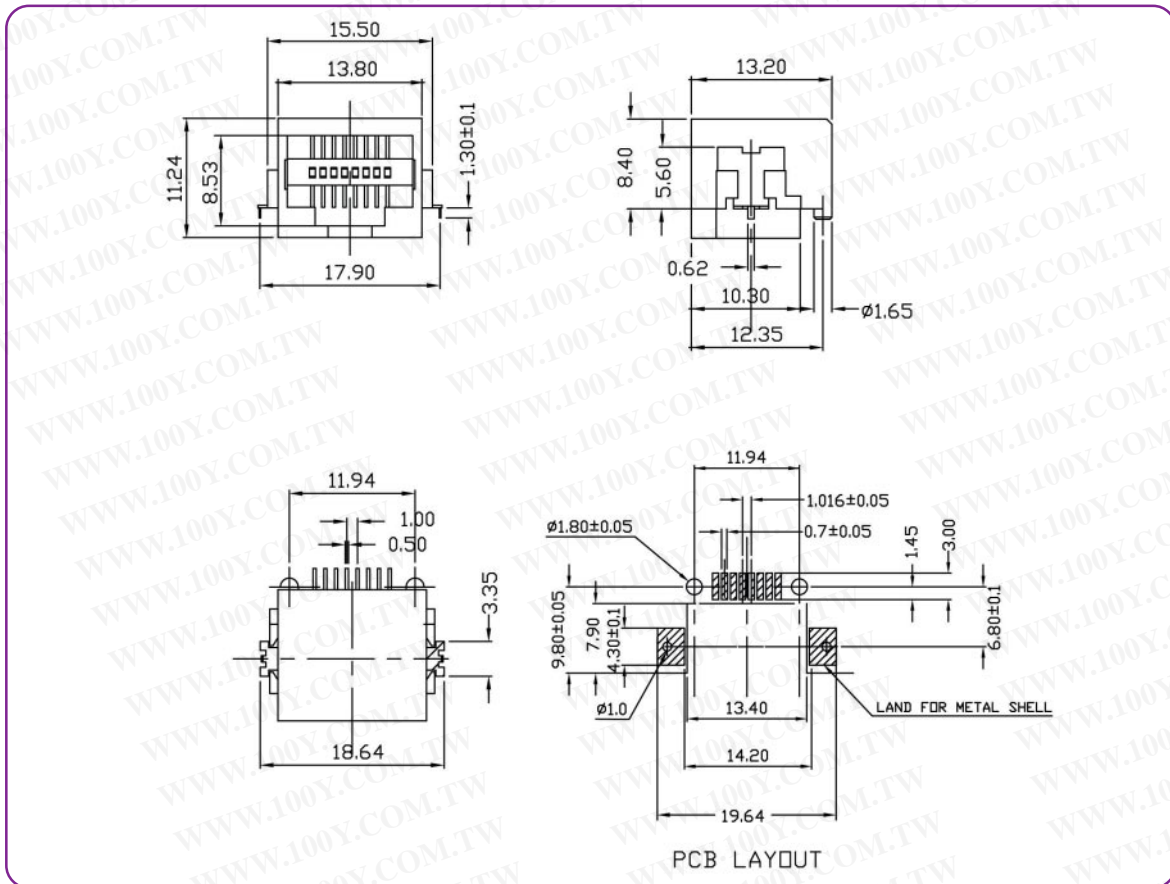
### Electrical:

- Current Rating: 1.5 AMP
- Voltage Rating: 150 VAC
- Contact Resistance: 20m MAX
- Insulation Resistance: 500m MIN
- Dielectric Withstanding Voltage: 1000 VAC, 1 min

### Mechanical:

- Housing: PPS. Polyester UL 94V-0
- Color: Black
- Contacts: Selective gold plating

### Drawing:



勝特力材料 886-3-5753170  
 勝特力电子(上海) 86-21-54151736  
 勝特力电子(深圳) 86-755-83298787  
[Http://www.100y.com.tw](http://www.100y.com.tw)



### Order Information:

623KR - 8 X X 2 - 1000

No of Positions:

No of Contacts:  
2, 4, 6, 8

Gold Plating:

3: 15μ"  
5: 50μ"

## RJ11 6P Modular Jack(623KR/ 6P6C-SMT)

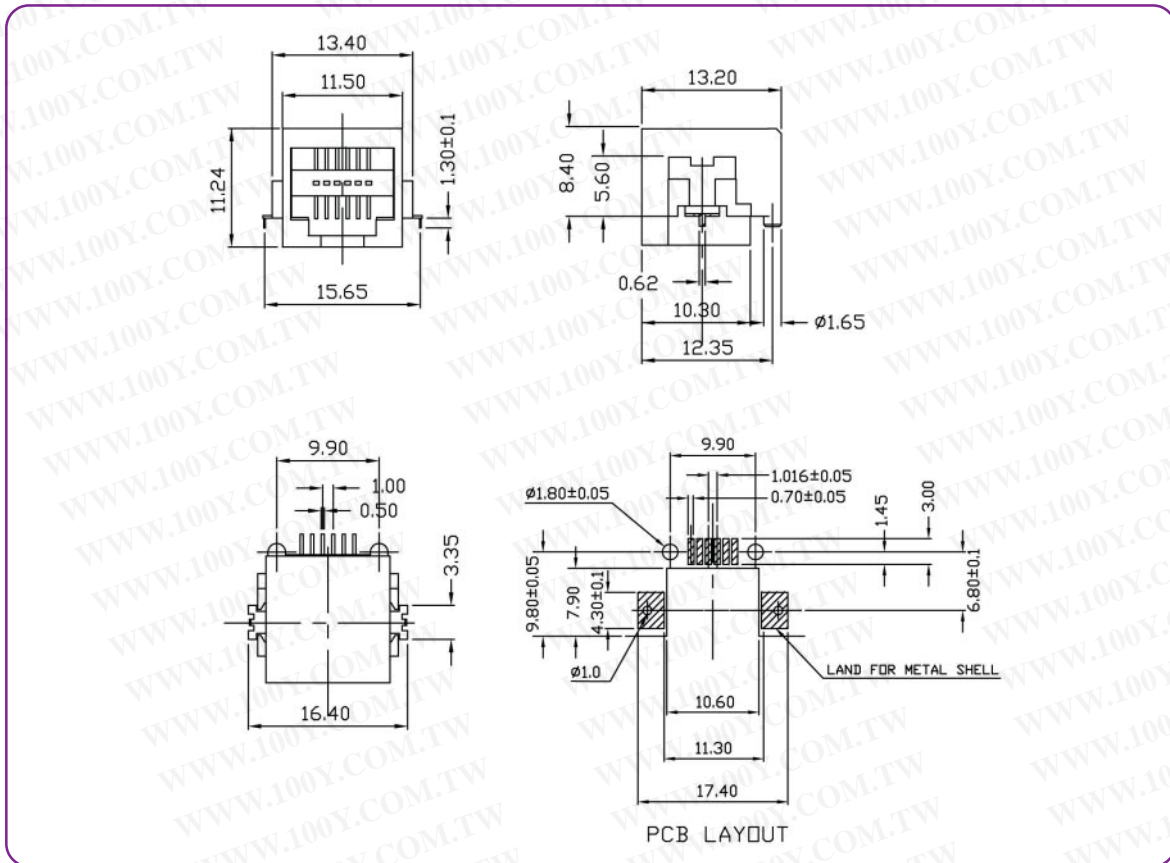
### Electrical:

- Current Rating: 1.5 AMP
- Voltage Rating: 150 VAC
- Contact Resistance: 20m MAX
- Insulation Resistance: 500m MIN
- Dielectric Withstanding Voltage: 1000 VAC, 1 min

### Mechanical:

- Housing: PPS. Polyester UL 94V-0
- Color: Black
- Contacts: Selective gold plating

### Drawing:



勝特力材料 886-3-5753170  
 勝特力电子(上海) 86-21-54151736  
 勝特力电子(深圳) 86-755-83298787  
[Http://www.100y.com.tw](http://www.100y.com.tw)



### Order Information:

623KR - 6 X X 2 - 1000

No of Positions:

No of Contacts:

2,4,6

Gold Plating:

3: 15µ"

5: 50µ"

# Modular Jack

Board to Board Connector

Modular Jack

IC Socket

## RJ11 6P Shielded Modular Jack(623NBS/ 6P6C-SMT)

### Electrical:

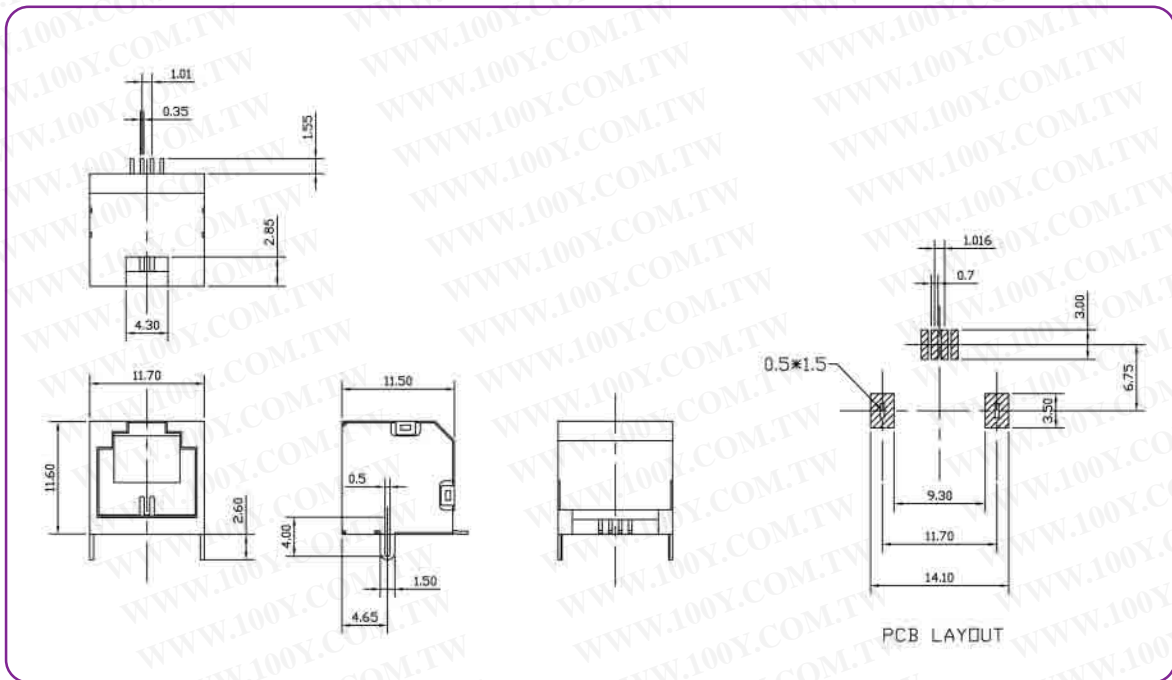
- Current Rating: 1.5 AMP
- Voltage Rating: 150 VAC
- Insulation Resistance: 500m MIN
- Dielectric Withstanding Voltage: 1000 VAC, 1 min

### Mechanical:

- Mating force: 5 pounds MAX. with latch depressed
- Durability (Mating/ unmating cycles): 5000 cycles
- Operating Temperature: -30°C to + 70°C
- Low level contact resistance:  
Before durability test: 50m Ohm MAX.  
After durability test: 70m Ohm MAX.



Dimension and characteristic are based upon FCC 68.5 subpart F.



### Order Information:

623NBS - 6 X X 2 - 11 X S

No of Positions:

No of Contacts:

2, 4

Gold Plating:

3: 15μ"

5: 50μ"

Grounding Pegs:

0: w/o Grounding Pegs

1: w/ Grounding Pegs

勝特力材料 886-3-5753170

勝特力电子(上海) 86-21-54151736

勝特力电子(深圳) 86-755-83298787

[Http://www.100y.com.tw](http://www.100y.com.tw)

## RJ11 6P Shielded Modular Jack(623KRS/ 6P6C-SMT)

### Electrical:

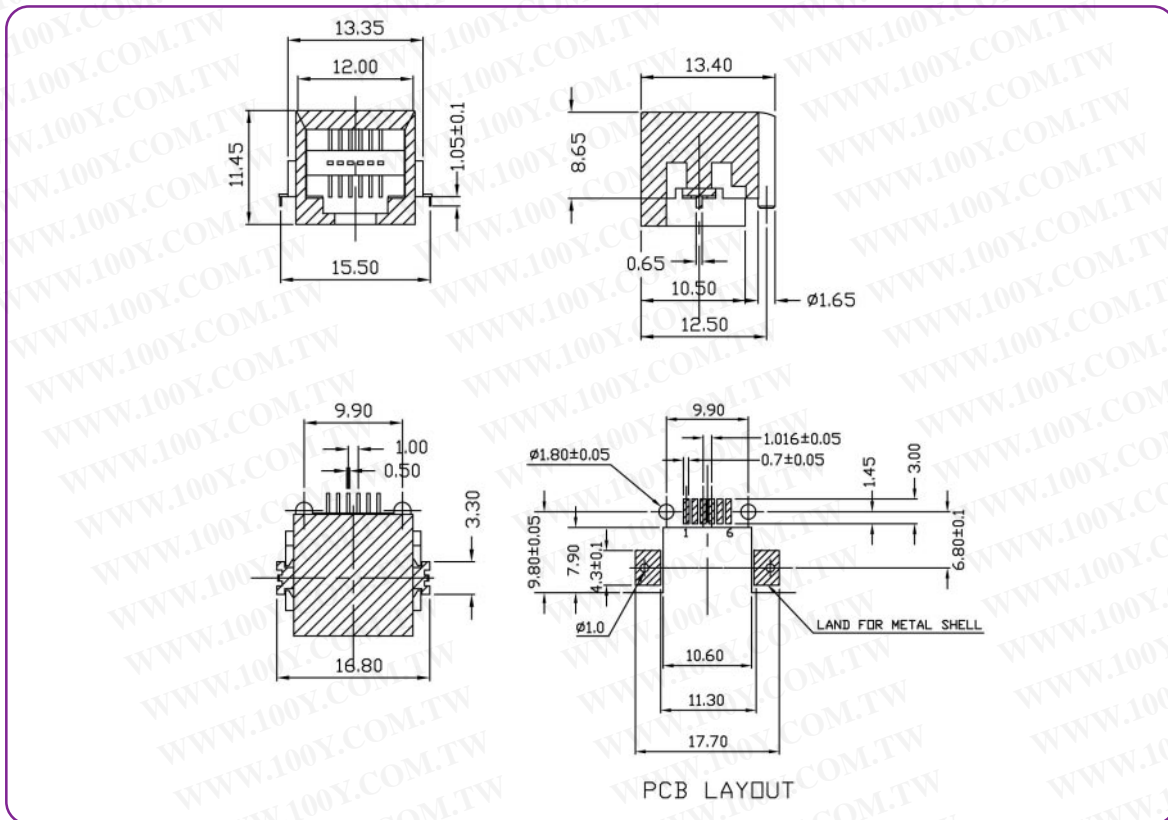
- Current Rating: 1.5 AMP
- Voltage Rating: 150 VAC
- Contact Resistance: 20m MAX
- Insulation Resistance: 500m MIN
- Dielectric Withstanding Voltage: 1000 VAC, 1 min

### Mechanical:

- Housing: PPS. Polyester UL 94V-0
- Color: Black
- Contacts: Selective gold plating
- Shield: 0.20mm thickness C2680 alloy with Au and Nickel plated



### Drawing:



### Order Information:

623KRS - 6 X X 2 - 1100

No of Positions:

No of Contacts:  
2,4,6

Gold Plating:

3: 15µ"  
5: 50µ"

勝特力材料 886-3-5753170  
勝特力电子(上海) 86-21-54151736  
勝特力电子(深圳) 86-755-83298787  
[Http://www.100y.com.tw](http://www.100y.com.tw)

# Modular Jack

Board to Board Connector

Modular Jack

IC Socket

## RJ45 8P Shielded Modular Jack(623KRS/ 8P8C-SMT)

### Electrical:

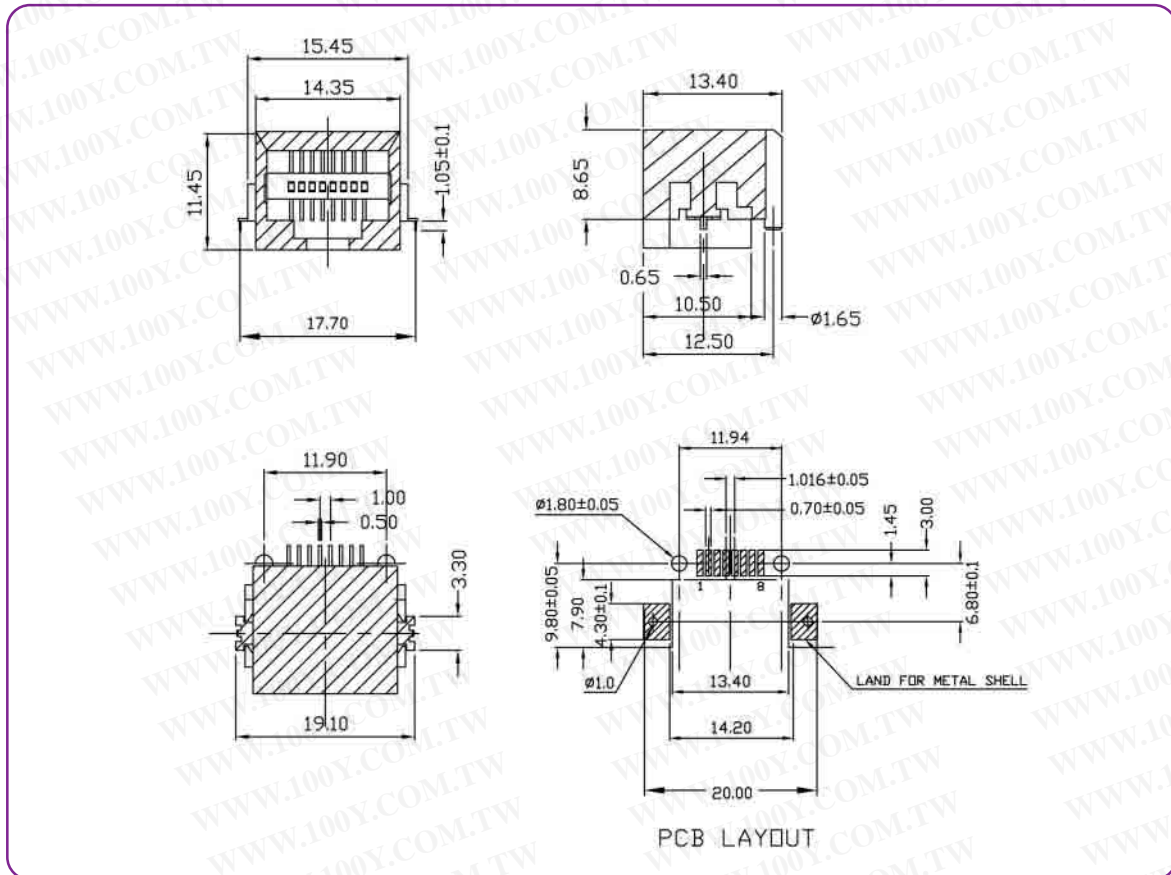
- Current Rating: 1.5 AMP
- Voltage Rating: 150 VAC
- Contact Resistance: 20m MAX
- Insulation Resistance: 500m MIN
- Dielectric Withstanding Voltage: 1000 VAC, 1 min

### Mechanical:

- Housing: PPS. Polyester UL 94V-0
- Color: Black
- Contacts: Selective gold plating
- Shield: 0.20mm thickness C2680 alloy with Au and Nickel plated



### Drawing:



### Order Information:

623KRS - 8 X X 2 - 1100

No of Positions:

No of Contacts:

2, 4, 6, 8

Gold Plating:

3: 15µ"

5: 50µ"

勝特力材料 886-3-5753170  
 勝特力电子(上海) 86-21-54151736  
 勝特力电子(深圳) 86-755-83298787  
[Http://www.100y.com.tw](http://www.100y.com.tw)



## Side Entry Very L/P Shielded Modular Jack(370S-NS-SMT)

### Electrical:

- Current Rating: 1.5 AMP
- Voltage Rating: 150 VAC
- Contact Resistance: 20m MAX
- Insulation Resistance: 500m MIN
- Dielectric Withstanding Voltage: 1000 VAC, 1 min

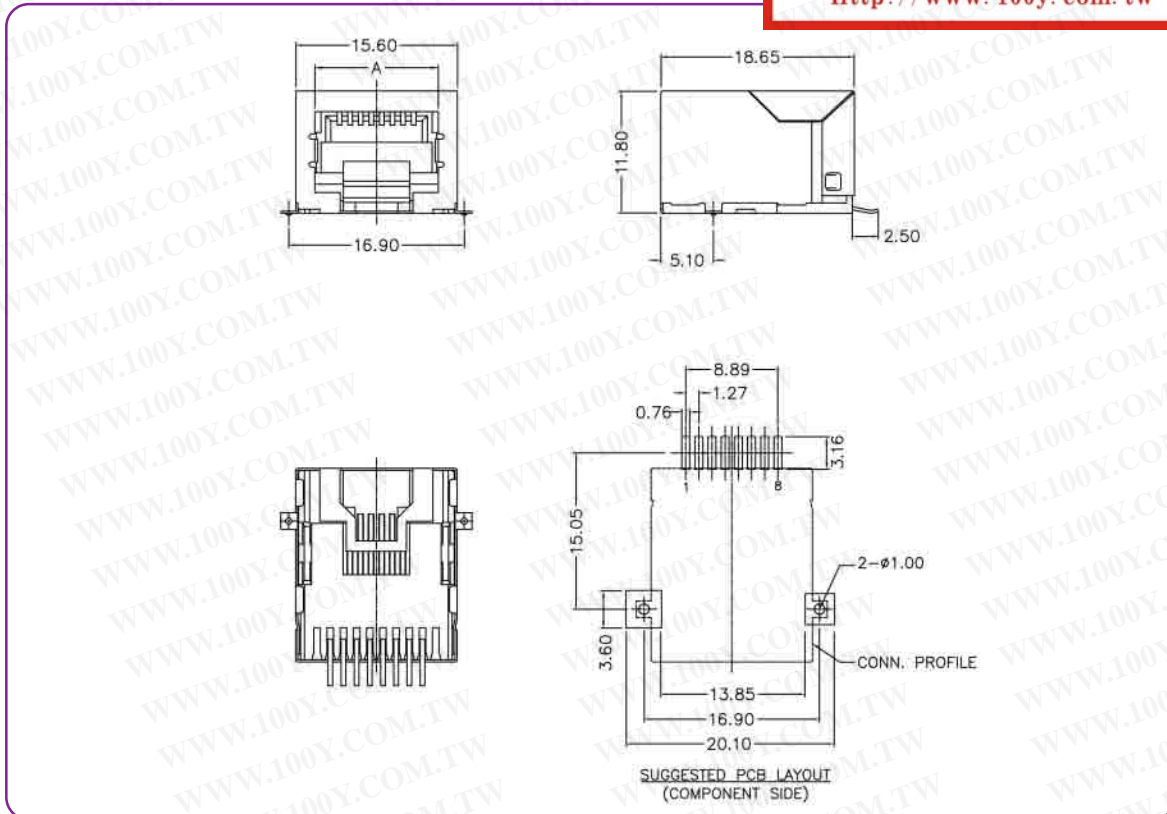
### Mechanical:

- Housing: NYLON 46 UL 94V-0
- Color: Black
- Contacts: 0.35 thickness alloy selective gold plating
- Shield: 0.25mm thickness copper alloy with Tin/ Nickel plated



勝特力材料 886-3-5753170  
 勝特力电子(上海) 86-21-54151736  
 勝特力电子(深圳) 86-755-83298787  
[Http://www.100y.com.tw](http://www.100y.com.tw)

### Drawing:



### Order Information:

370S - X X X 2 - 1 1 1 S

- No of Positions:** 6, 10
- No of Contacts:** 2, 4, 6, 8, 10
- Gold Plating:** 2: 6µ"; 3: 15µ"; 4: 30µ"; 5: 50µ"

- w/o Split Pegs:**
- 1: Grounding Tab
  - 2: Grounding Pin
- w/ Split Pegs:**
- 3: Grounding Tab
  - 4: Grounding Pin

No. of Positions	Dimensions(m/m)	
	A	
6	9.80	
8/10	11.90	
10	11.90	

- Please contact our sales rep. for more shielded options

# Modular Jack

Board to Board Connector

Modular Jack

IC Socket

## Side Entry Very L/P Shielded Modular Jack(370S-SMT)

### Electrical:

- Current Rating: 1.5 AMP
- Voltage Rating: 150 VAC
- Contact Resistance: 20m MAX
- Insulation Resistance: 500m MIN
- Dielectric Withstanding Voltage: 1000 VAC, 1 min

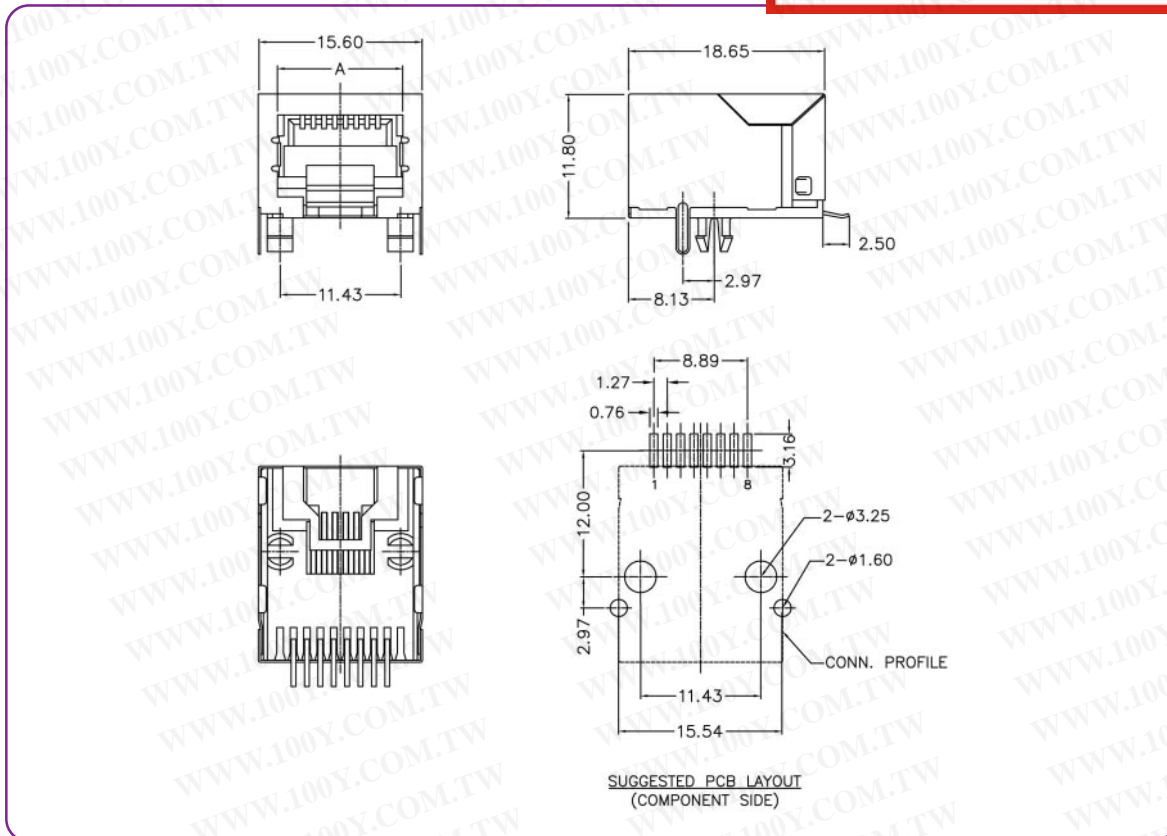
### Mechanical:

- Housing: NYLON 46 UL 94V-0
- Color: Black
- Contacts: 0.35 thickness alloy selective gold plating
- Shield: 0.25mm thickness copper alloy with Tin/ Nickel plated



勝特力材料 886-3-5753170  
 勝特力电子(上海) 86-21-54151736  
 勝特力电子(深圳) 86-755-83298787  
[Http://www.100y.com.tw](http://www.100y.com.tw)

### Drawing:



### Order Information:

370S - X X X 2 - 1 1 4 S

- No of Positions:**  
6, 10
- No of Contacts:**  
2, 4, 6, 8, 10
- Gold Plating:**  
2: 6μ"; 3: 15μ"; 4: 30μ"; 5: 50μ"

#### w/o Split Pegs:

- 1: Grounding Tab
- 2: Grounding Pin

#### w/ Split Pegs:

- 3: Grounding Tab
- 4: Grounding Pin

No. of Positions	Dimensions(m/m)
	A
6	9.80
8/10	11.90
10	11.90

- Please contact our sales rep. for more shielded options.

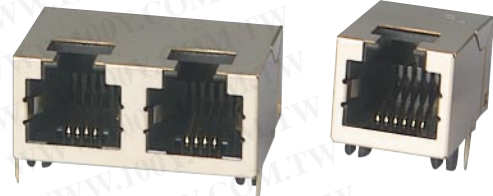
## RJ11 6P Very L/ P Shielded Modular Jack(623KMS-P)

### Electrical:

- Current Rating: 1.5 AMP
- Voltage Rating: 150 VAC
- Contact Resistance: 20m MAX
- Insulation Resistance: 500m MIN
- Dielectric Withstanding Voltage: 1000 VAC, 1 min

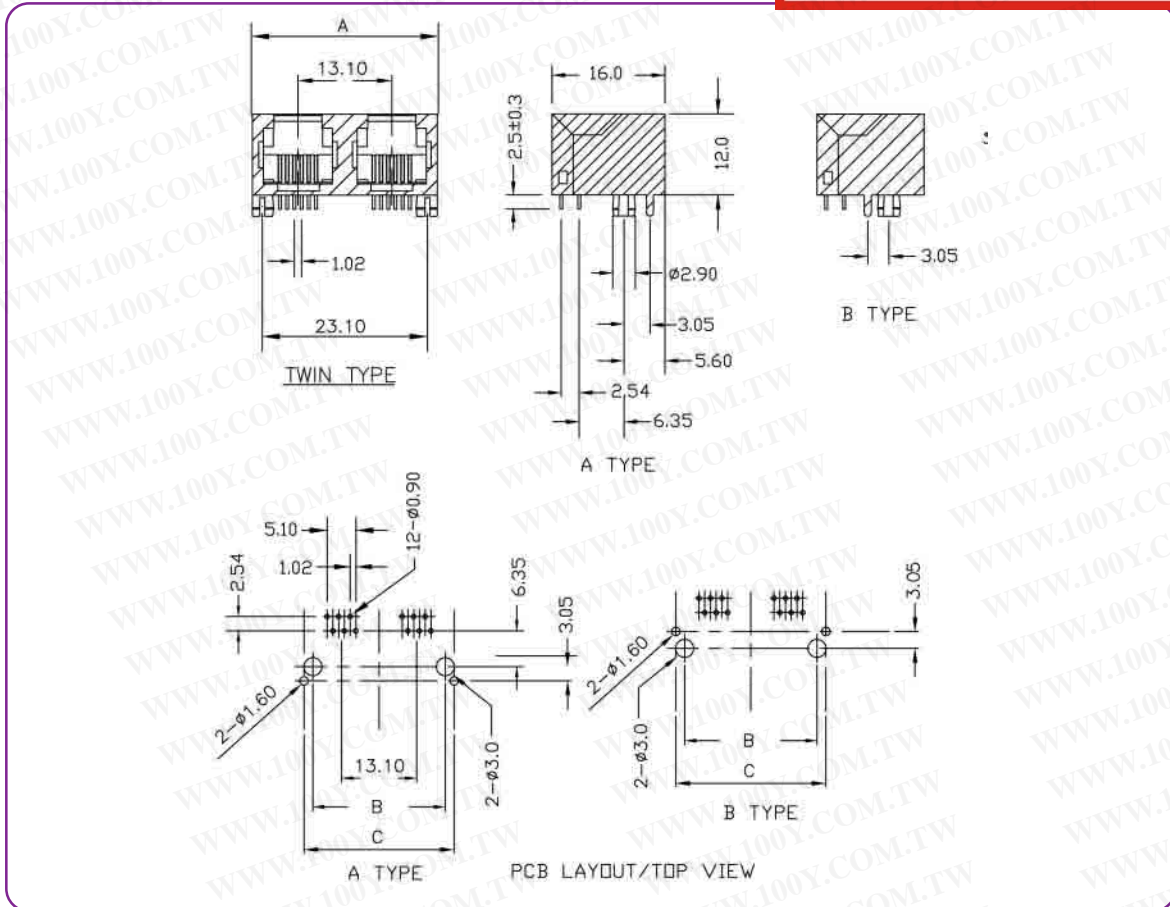
### Mechanical:

- Housing: PBT Polyester UL 94V-0
- Color: Black
- Contacts: 0.45 diameter phos-bronze plated with hard gold
- Shield: 0.20mm thickness copper alloy with Tin/ Nickel plated



勝特力材料 886-3-5753170  
 勝特力电子(上海) 86-21-54151736  
 勝特力电子(深圳) 86-755-83298787  
[Http://www.100y.com.tw](http://www.100y.com.tw)

### Drawing:



### Order Information:

623KMS - 6 X X 1 - X 1 X 0

No of Positions:

No of Contacts:  
2, 4, 6

Gold Plating:

1: 6μ"; 2: 6μ"; 3: 15μ"; 4: 30μ"; 5: 50μ"

Grounding Pegs:

3: Rear 3.05  
4: Front 3.05

No. of Ports:

1: 1 Port  
2: 2 Port

Ports	Dimensions(m/m)		
	A	B	C
1	13.10	9.70	12.90
2	26.70	23.10	26.50

- Please contact our sales rep. for more shielded options.

# Modular Jack

Board to Board Connector

Modular Jack

IC Socket

## RJ11 6P Shielded Modular Jack(623NBS/ 6P4C-DIP Type)

### Electrical:

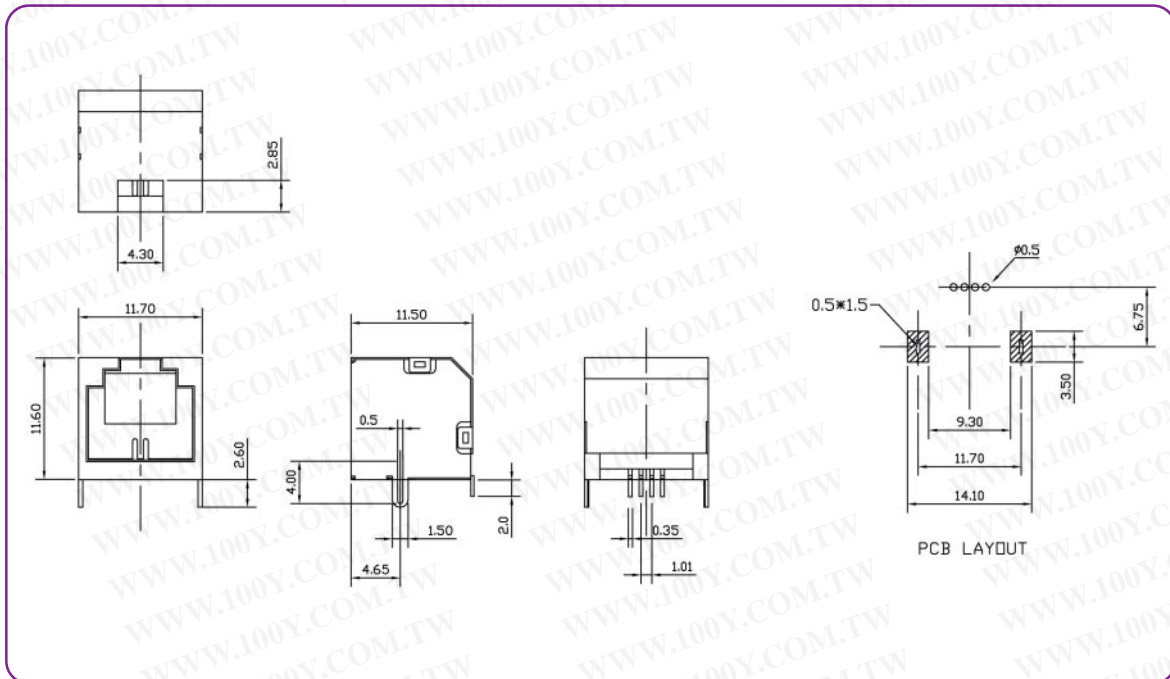
- Current Rating: 1.5 AMP
- Voltage Rating: 150 VAC
- Insulation Resistance: 500m MIN
- Dielectric Withstanding Voltage: 1000 VAC, 1 min

### Mechanical:

- Mating force: 5 pounds MAX. with latch depressed
- Durability (Mating/ unmating cycles): 5000 cycles
- Operating Temperature: -30°C to + 70°C
- Low level contact resistance:  
Before durability test: 50m Ohm MAX.  
After durability test: 70m Ohm MAX.



Dimension and characteristic are based upon FCC 68.5 subpart F.



### Order Information:

623NBS - 6 X X 2 - 1 1 X D

No of Positions:

No of Contacts:  
2, 4

Gold Plating:

3: 15μ"

5: 50μ"

Grounding Pegs:

0: w/o Grounding Pegs

1: w/ Grounding Pegs

勝特力材料 886-3-5753170

勝特力电子(上海) 86-21-54151736

勝特力电子(深圳) 86-755-83298787

[Http://www.100y.com.tw](http://www.100y.com.tw)

## Side Entry Semi-Shielded Modular Jack(623 KV-HS)

### Electrical:

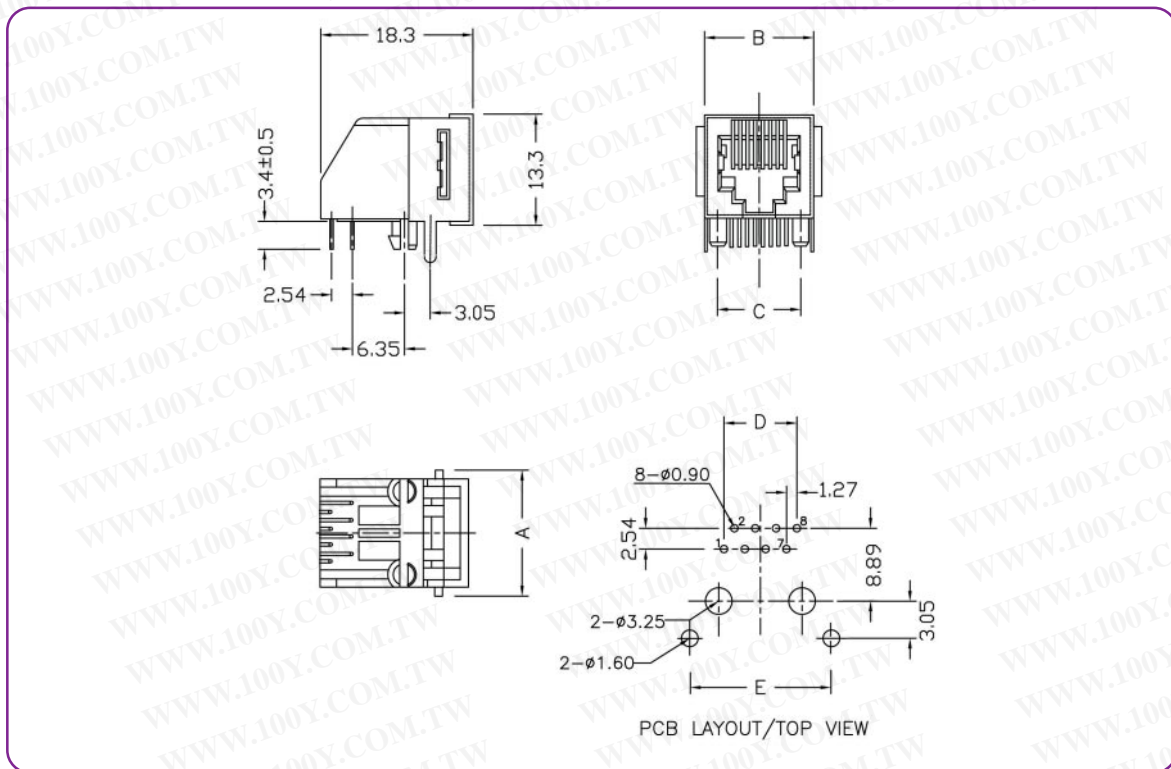
- Current Rating: 1.5 AMP
- Voltage Rating: 150 VAC
- Contact Resistance: 20m MAX
- Insulation Resistance: 500m MIN
- Dielectric Withstanding Voltage: 1000 VAC, 1 min

### Mechanical:

- Housing: PBT Polyester UL 94V-0
- Color: Black
- Contacts: 0.35 thickness alloy selective gold plating
- Shield: 0.25mm thickness copper alloy with Nickel plated



### Drawing:



### Order Information:

623KV(HS) - X X X 2 - 1 1 4 X

No of Positions:  
6, 8

Panel Stop  
0: w/o Panel Stop  
1: w/ Panel Stop

No of Contacts:  
2, 4, 6, 8

Gold Plating:  
1: 3µ"; 2: 6µ"; 3: 15µ"; 4: 30µ"; 5: 50µ"

勝特力材料 886-3-5753170  
勝特力电子(上海) 86-21-54151736  
勝特力电子(深圳) 86-755-83298787  
[Http://www.100y.com.tw](http://www.100y.com.tw)

No. of Positions	Dimensions(m/m)				
	A	B	C	D	E
6	15.7	14.1	10.16	6.35	13.72
8	17.4	15.8	11.43	8.89	15.75

- Please contact our sales rep. for more shielded options.

# Modular Jack

Board to Board Connector

Modular Jack

IC Socket

## 10P Side Entry L/ P Shielded Modular Jack(623KES/ 10P8C)

### Electrical:

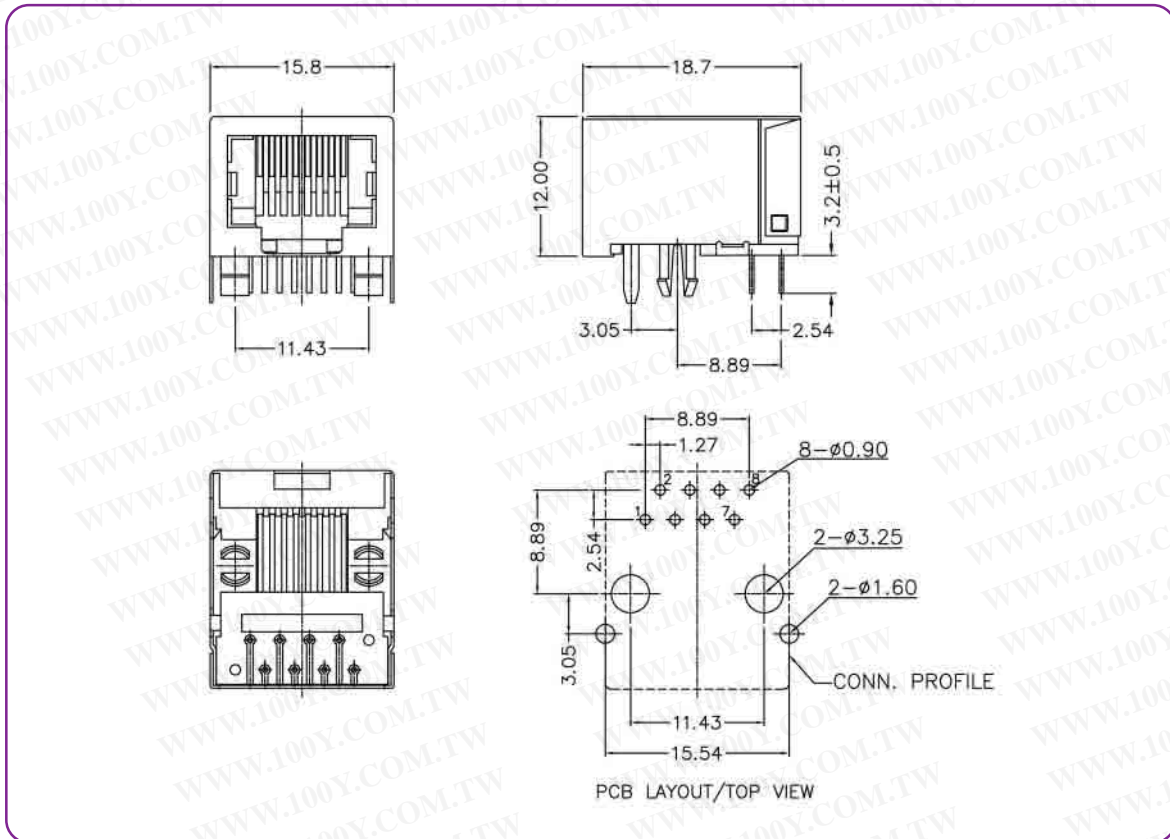
- Current Rating: 1.5 AMP
- Voltage Rating: 150 VAC
- Contact Resistance: 20m MAX
- Insulation Resistance: 500m MIN
- Dielectric Withstanding Voltage: 1000 VAC, 1 min

### Mechanical:

- Housing: PBT Polyester UL 94V-0
- Color: Black
- Contacts: 0.45 diameter phos-bronze plated with hard gold
- Shield: 0.25mm thickness copper alloy with Tin/ Nickel plated



### Drawing:



- Please contact our sales rep. for more shielded options.

### Order Information:

623KES - 08 X X 1 - 1 X X 0

No of Positions:

No of Contacts:  
2, 4, 6, 8

Gold Plating:  
1: 3µ"; 2: 6µ"; 3: 15µ"; 4: 30µ"; 5: 50µ"

Grounding Pegs:  
3: Rear 3.05  
4: Front 3.05

Panel Grounding:  
1: w/o P.G. Tab  
2: Top P.G. Tab  
3: Top & Side P.G. Tab

勝特力材料 886-3-5753170  
勝特力电子(上海) 86-21-54151736  
勝特力电子(深圳) 86-755-83298787  
[Http://www.100y.com.tw](http://www.100y.com.tw)

## Top Entry Shielded Modular Jack 180°(330S/ 10P8C)

### Electrical:

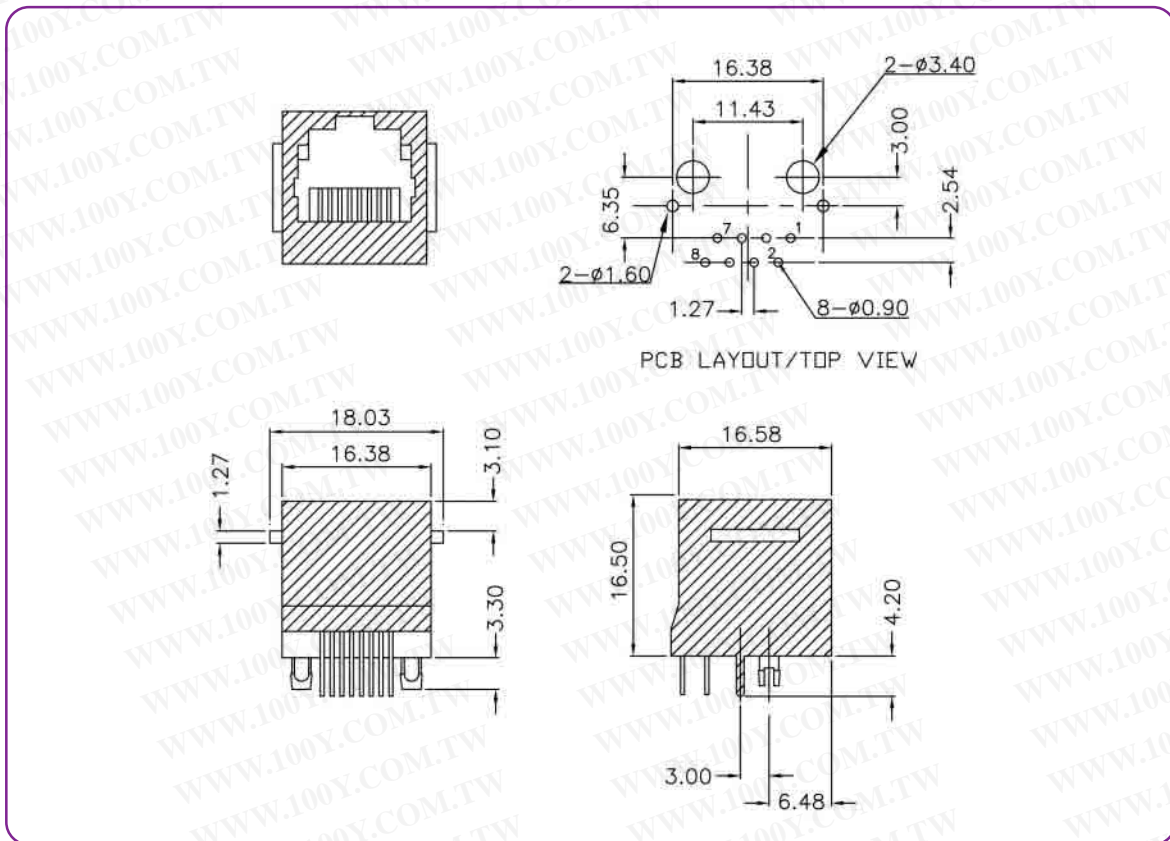
- Current Rating: 1.5 AMP
- Voltage Rating: 150 VAC
- Contact Resistance: 20m MAX
- Insulation Resistance: 500m MIN
- Dielectric Withstanding Voltage: 1000 VAC, 1 min

### Mechanical:

- Housing: PBT Polyester UL 94V-0
- Color: Black
- Contacts: 0.35 thickness alloy selective gold plating
- Shield: 0.25mm thickness copper alloy with Tin/ Nickel plated



### Drawing:



### Order Information:

330S - 10 X X 2 - 1 1 X X

No of Positions:

No of Contacts:  
2, 4, 6, 8, 10

Gold Plating:

2: 6µ"; 3: 15µ"; 4: 30µ"; 5: 50µ"

Panel Stop:

0: w/o Panel Stop  
1: w/ Panel Stop

Grounding Pegs:

3: Rear 3.05  
4: Front 3.05

勝特力材料 886-3-5753170  
勝特力电子(上海) 86-21-54151736  
勝特力电子(深圳) 86-755-83298787  
[Http://www.100y.com.tw](http://www.100y.com.tw)

# Modular Jack

Board to Board Connector

Modular Jack

IC Socket

## Side Entry Shielded Modular Jack w/ Ferrite(340SF)

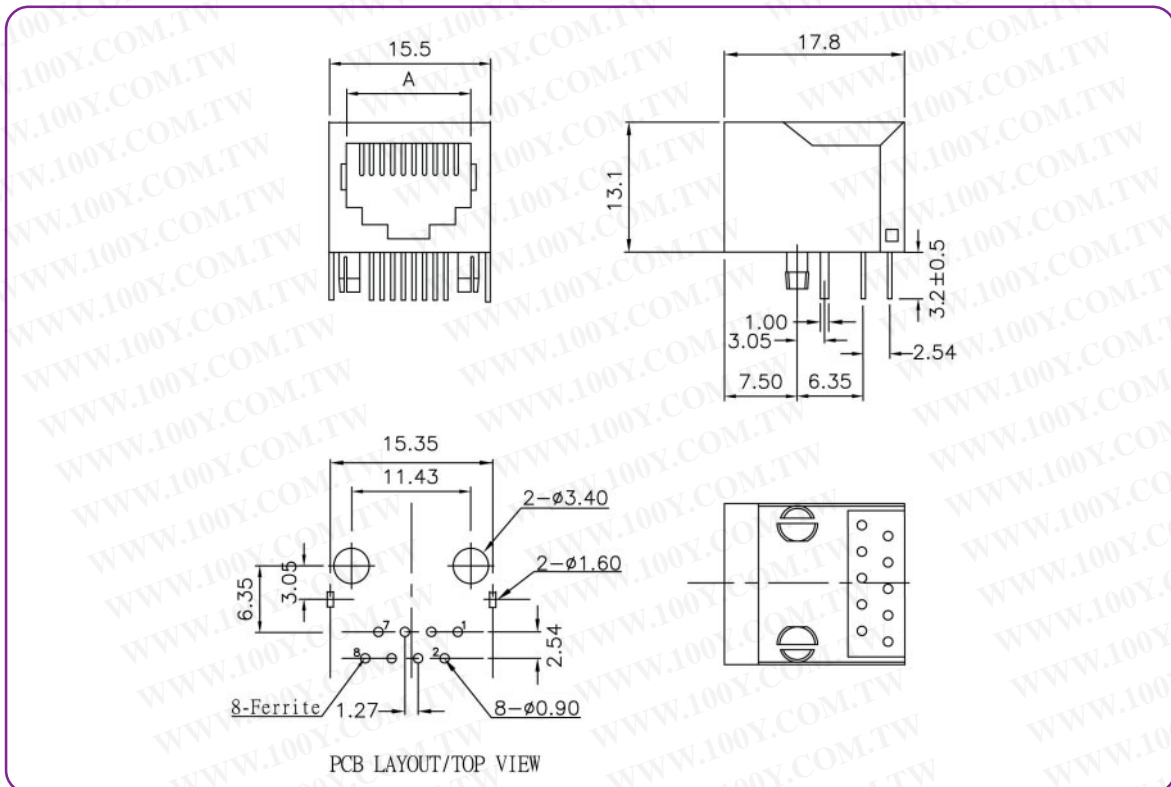
### Electrical:

- Current Rating: 1.5 AMP
- Voltage Rating: 150 VAC
- Contact Resistance: 20m MAX
- Insulation Resistance: 500m MIN
- Dielectric Withstanding Voltage: 1000 VAC, 1 min

### Mechanical:

- Housing: PBT Polyester UL 94V-0
- Color: Black
- Contacts: 0.45 diameter phos-bronze plated with hard gold
- Shield: 0.25mm thickness copper alloy with Tin/ Nickel plated

### Drawing:



勝特力材料 886-3-5753170  
 勝特力电子(上海) 86-21-54151736  
 勝特力电子(深圳) 86-755-83298787  
[Http://www.100y.com.tw](http://www.100y.com.tw)



### Order Information:

340SF - X X X X - 1 X X 0

**No of Positions:**  
6, 10

**No of Contacts:**  
2, 4, 6, 8, 10

**Gold Plating:**  
1: 3μ"; 2: 6μ"; 3: 15μ"; 4: 30μ"; 5: 50μ"

**Grounding Pegs:**  
3: Rear 3.05  
4: Front 3.05

**Panel Grounding:**  
1: w/o P.G. Tab  
2: Top P.G. Tab  
3: Top & Side P.G. Tab

**Contacts:**  
1: Round Pin  
2: Flat Pin

Ports	Dimensions(m/m)		
	A	B	C
6		10.00	
8/10		12.00	
10		12.00	

- Please contact our sales rep. for more shielded options



## Side Entry Shielded Modular Jack(340S)

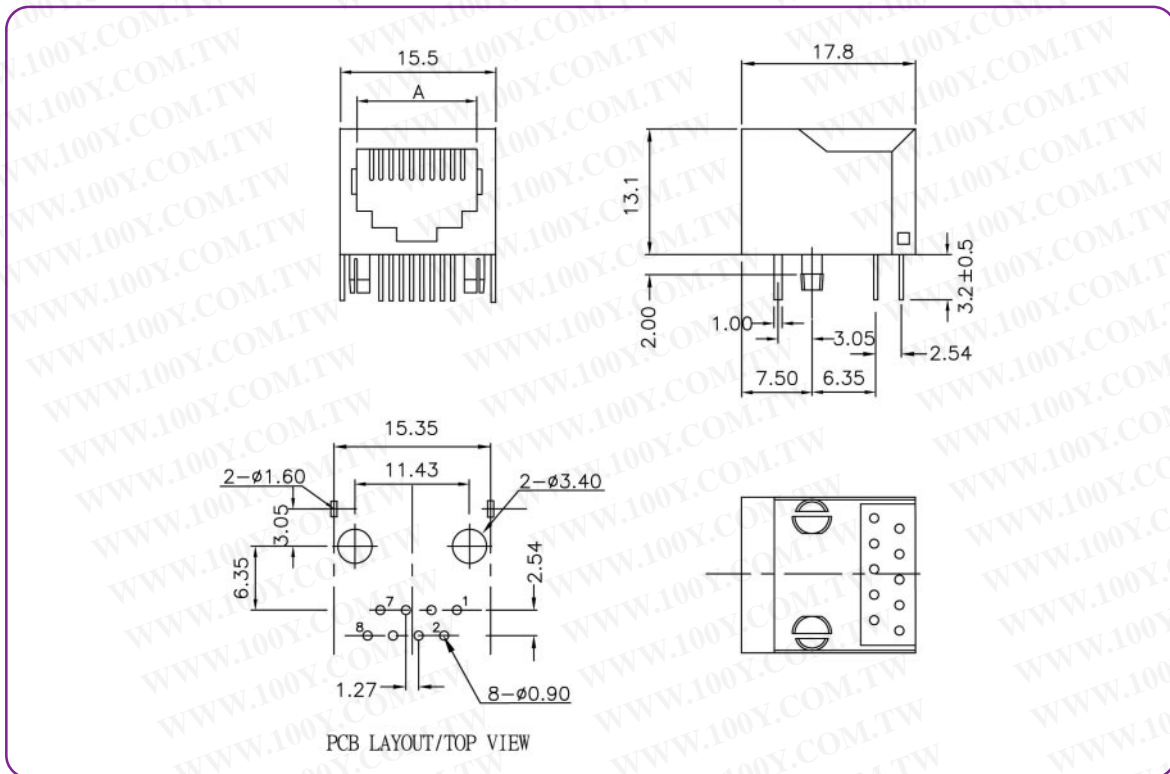
### Electrical:

- Current Rating: 1.5 AMP
- Voltage Rating: 150 VAC
- Contact Resistance: 20m MAX
- Insulation Resistance: 500m MIN
- Dielectric Withstanding Voltage: 1000 VAC, 1 min

### Mechanical:

- Housing: PBT Polyester UL 94V-0
- Color: Black
- Contacts: 0.45 diameter phos-bronze plated with hard gold or 0.35 thickness alloy selective gold plating
- Shield: 0.25mm thickness copper alloy with Tin/ Nickel plated

### Drawing:



### Order Information:

340S - X X X X - 1 X X 0

**No of Positions:**  
6, 10

**No of Contacts:**  
2, 4, 6, 8, 10

**Gold Plating:**  
1: 3µ"; 2: 6µ"; 3: 15µ"; 4: 30µ"; 5: 50µ"

**Grounding Pegs:**  
3: Rear 3.05  
4: Front 3.05

**Panel Grounding:**  
1: w/o P.G. Tab  
2: Top P.G. Tab  
3: Top & Side P.G. Tab

**Contacts:**  
1: Round Pin  
2: Flat Pin

Ports	Dimensions(m/m)		
	A	B	C
6		10.00	
8/10		12.00	
10		12.00	

- Please contact our sales rep. for more shielded options.

# Modular Jack

Board to Board Connector

Modular Jack

IC Socket

## Side Entry Shielded Modular Jack(360SL/ 10P8C)

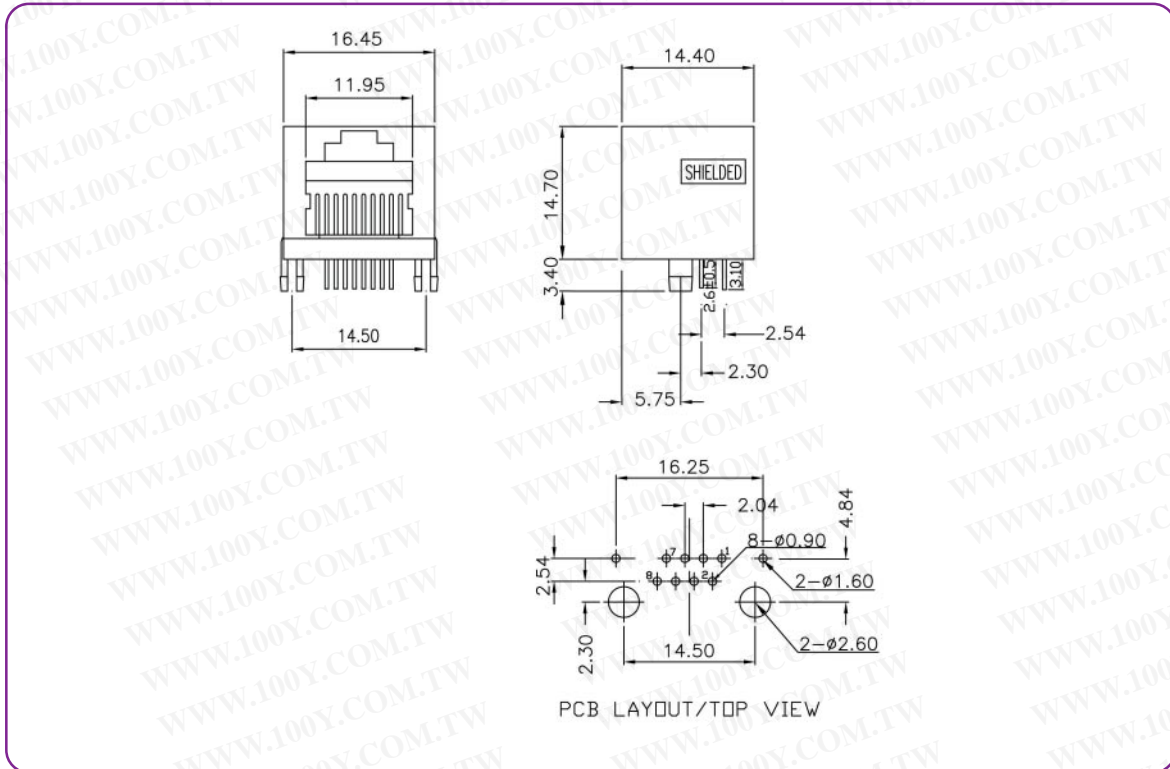
### Electrical:

- Current Rating: 1.5 AMP
- Voltage Rating: 150 VAC
- Contact Resistance: 20m MAX
- Insulation Resistance: 500m MIN
- Dielectric Withstanding Voltage: 1000 VAC, 1 min

### Mechanical:

- Housing: PBT Polyester UL 94V-0
- Color: Black
- Contacts: 0.45 diameter phos-bronze plated with hard gold
- Shield: 0.20mm thickness copper alloy with Tin/ Nickel plated

### Drawing:



### Order Information:

340SL - 10 X X 1 - 1 X 0 0

No of Positions:

No of Contacts:  
2, 4, 6, 8, 10

Gold Plating:

1: 3µ"; 2: 6µ"; 3: 15µ"; 4: 30µ"; 5: 50µ"

Panel Grounding:

1: w/o P.G. Tab  
2: Top P.G. Tab  
3: Top & Side P.G. Tab

勝特力材料 886-3-5753170  
 勝特力电子(上海) 86-21-54151736  
 勝特力电子(深圳) 86-755-83298787  
[Http://www.100y.com.tw](http://www.100y.com.tw)



## 6P Modular Jack(623KL/ 6P6C)

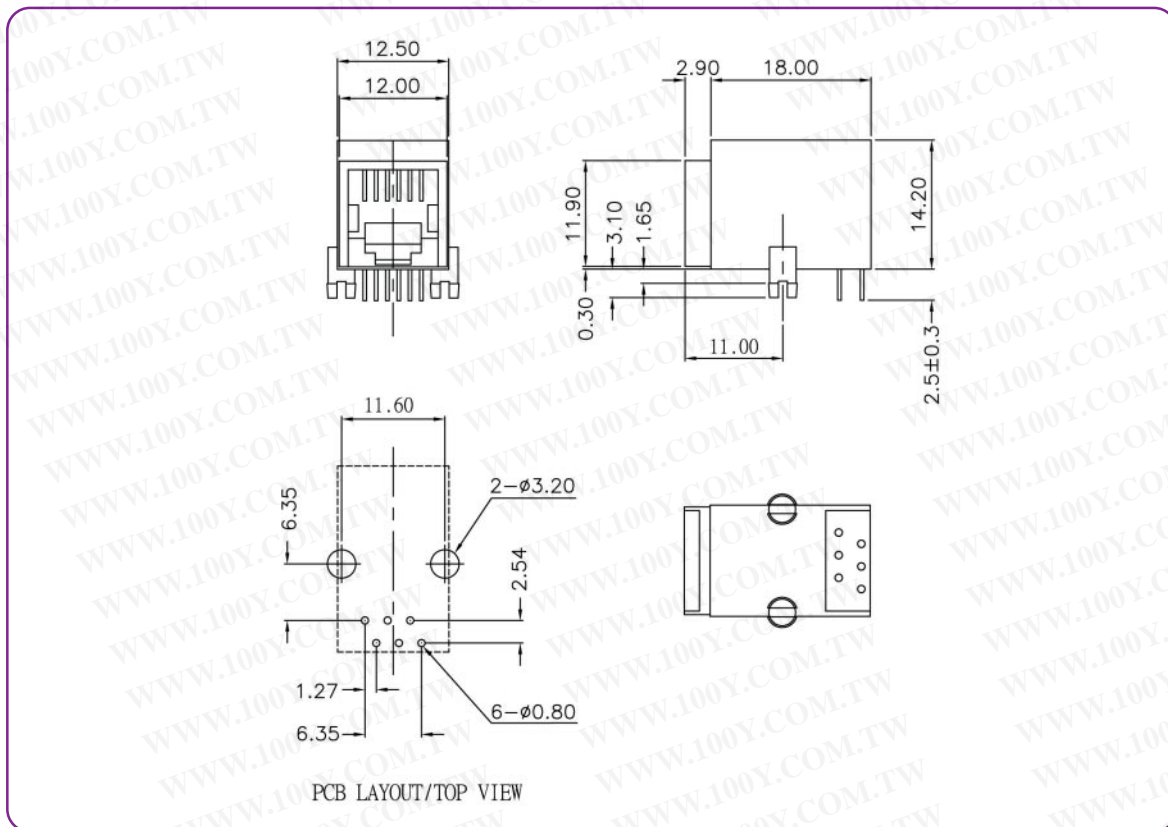
### Electrical:

- Current Rating: 1.5 AMP
- Voltage Rating: 150 VAC
- Contact Resistance: 20m MAX
- Insulation Resistance: 500m MIN
- Dielectric Withstanding Voltage: 1000 VAC, 1 min

### Mechanical:

- Housing: PBT Polyester UL 94V-0
- Color: Black
- Contacts: 0.45 diameter phos-bronze plated with hard gold

### Drawing:



### Order Information:

623KL - 6 X X 1 - 1000

No of Positions:

No of Contacts:

2, 4, 6

Gold Plating:

1: 3μ"; 2: 6μ"; 3: 15μ"; 4: 30μ"; 5: 50μ"

勝特力材料 886-3-5753170  
 勝特力电子(上海) 86-21-54151736  
 勝特力电子(深圳) 86-755-83298787  
[Http://www.100y.com.tw](http://www.100y.com.tw)

# Modular Jack

Board to Board Connector

Modular Jack

IC Socket

## 6P Low Profile Modular Jack(623LP/ 6P6C)

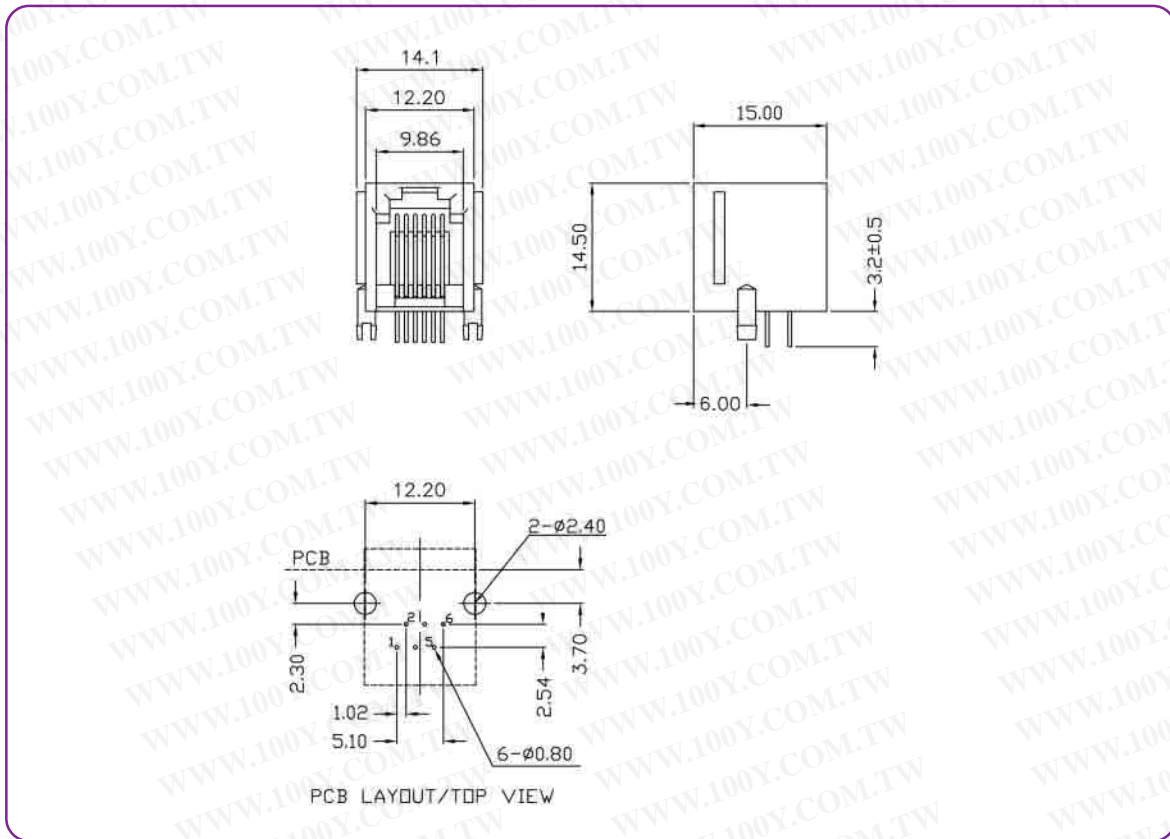
### Electrical:

- Current Rating: 1.5 AMP
- Voltage Rating: 150 VAC
- Contact Resistance: 20m MAX
- Insulation Resistance: 500m MIN
- Dielectric Withstanding Voltage: 1000 VAC, 1 min

### Mechanical:

- Housing: PBT Polyester UL 94V-0
- Color: Black
- Contacts: 0.45 diameter phos-bronze plated with hard gold

### Drawing:



### Order Information:

623LP - 6 X X 1 - 1000

No of Positions:

No of Contacts:

2, 4, 6

Gold Plating:

1: 3μ"; 2: 6μ"; 3: 15μ"; 4: 30μ"; 5: 50μ"

勝特力材料 886-3-5753170  
勝特力电子(上海) 86-21-54151736  
勝特力电子(深圳) 86-755-83298787  
[Http://www.100y.com.tw](http://www.100y.com.tw)

## Mini Low Profile Modular Jack(623MLP)

### Electrical:

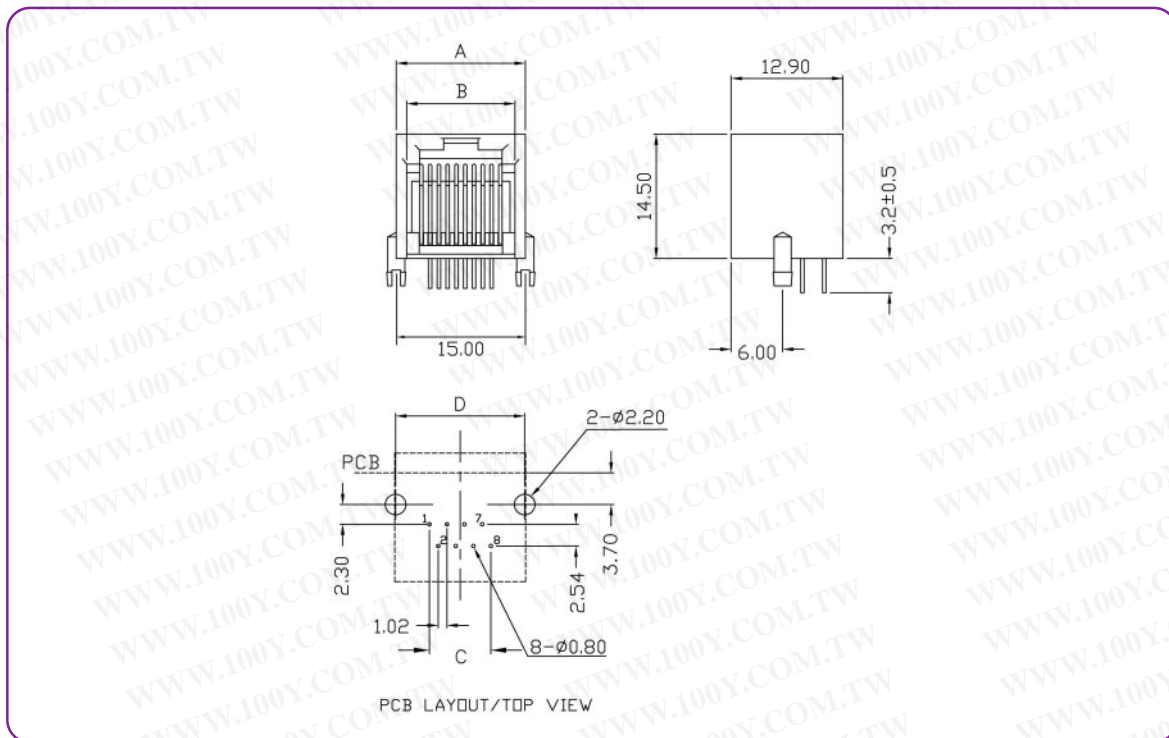
- Current Rating: 1.5 AMP
- Voltage Rating: 150 VAC
- Contact Resistance: 20m MAX
- Insulation Resistance: 500m MIN
- Dielectric Withstanding Voltage: 1000 VAC, 1 min

### Mechanical:

- Housing: PBT Polyester UL 94V-0
- Color: Black
- Contacts: 0.45 diameter phos-bronze plated with hard gold



### Drawing:



### Order Information:

623MLP - X X X 1 - 1000

No of Positions:  
4, 6, 8, 10

No of Contacts:  
2, 4, 6, 8, 10

Gold Plating:

1: 3μ"; 2: 6μ"; 3: 15μ"; 4: 30μ"; 5: 50μ"

No. of Positions	Dimensions(m/m)			
	A	B	C	D
4	10.00	7.60	3.06	10.00
6	12.20	10.00	5.10	12.20
8	15.00	11.80	7.14	15.00
10	15.00	11.80	9.18	15.00

- Please contact our sales rep. for more shielded options

勝特力材料 886-3-5753170  
勝特力电子(上海) 86-21-54151736  
勝特力电子(深圳) 86-755-83298787  
[Http://www.100y.com.tw](http://www.100y.com.tw)

# Modular Jack

Board to Board Connector  
Modular Jack

IC Socket

## RJ31X Mini Low Profile Modular Jack(623MLP/ 10P8C w/ Shorting Bar)

### Electrical:

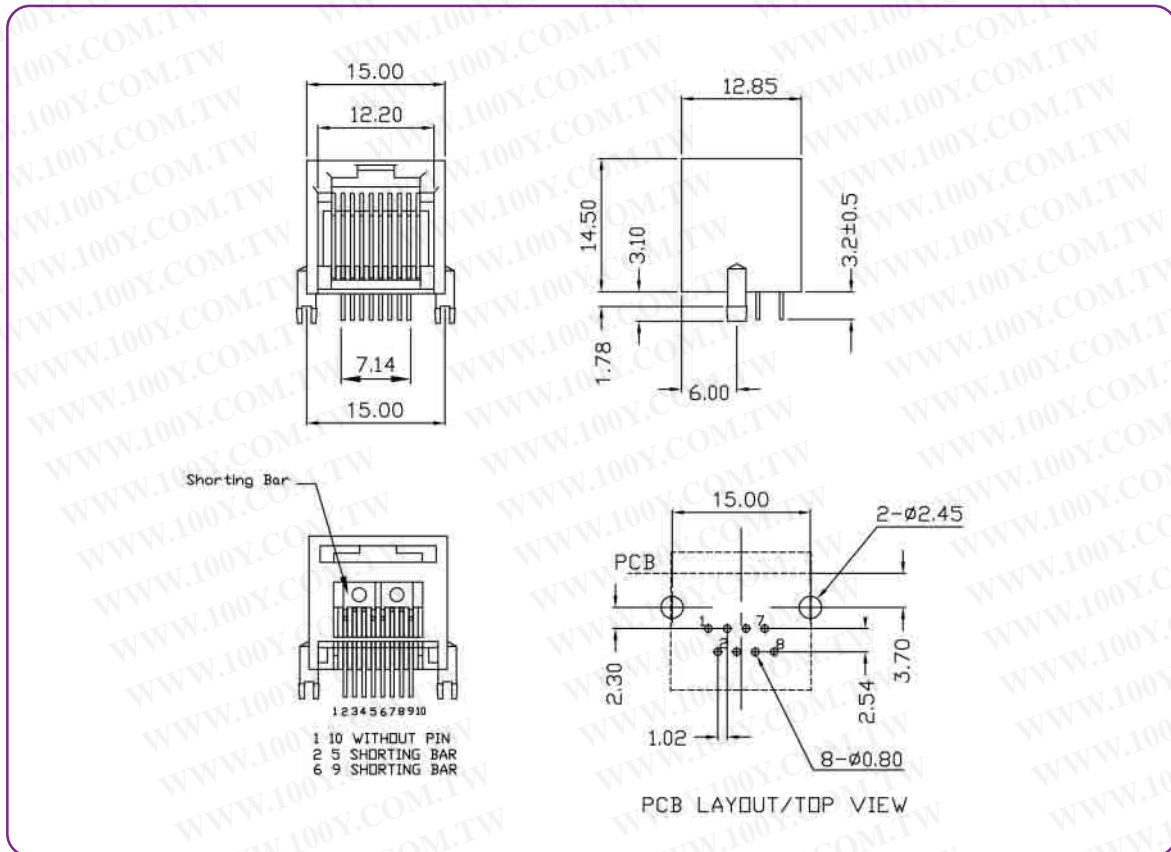
- Current Rating: 1.5 AMP
- Voltage Rating: 150 VAC
- Contact Resistance: 20m MAX
- Insulation Resistance: 500m MIN
- Dielectric Withstanding Voltage: 1000 VAC, 1 min

### Mechanical:

- Housing: PBT Polyester UL 94V-0
- Color: Black
- Contacts: 0.45 diameter phos-bronze plated with hard gold



### Drawing:



### Order Information:

623MLP - 10 8 X 1 - 100X

No of Positions:  
10

No of Contacts:

Gold Plating:

1: 3 $\mu$ "; 2: 6 $\mu$ "; 3: 15 $\mu$ "; 4: 30 $\mu$ "; 5: 50 $\mu$ "

## Side Entry Modular Jack(310)

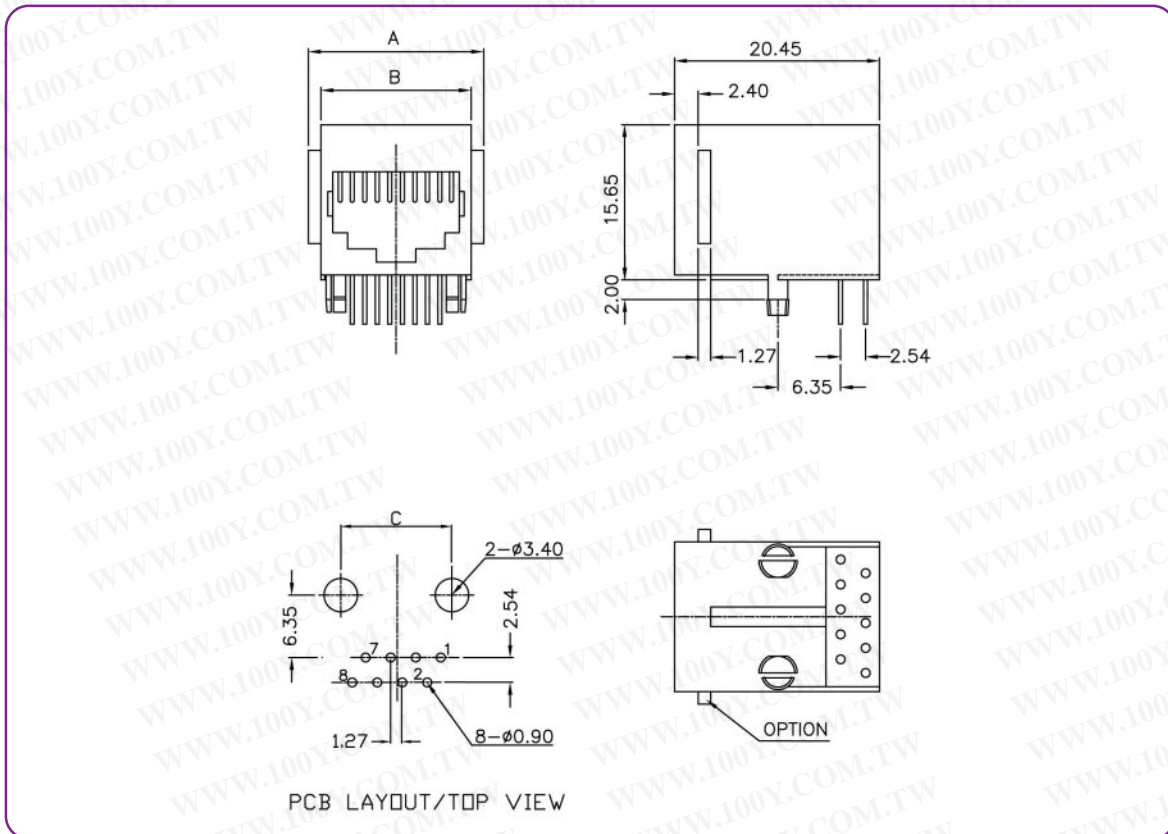
### Electrical:

- Current Rating: 1.5 AMP
- Voltage Rating: 150 VAC
- Contact Resistance: 20m MAX
- Insulation Resistance: 500m MIN
- Dielectric Withstanding Voltage: 1000 VAC, 1 min

### Mechanical:

- Housing: PBT Polyester UL 94V-0
- Color: Black
- Contacts: 0.35 thickness alloy selective gold plating

### Drawing:



### Order Information:

310 - X X X 2 - 100 X

No of Positions:  
4, 6, 10

No of Contacts:  
2, 4, 6, 8, 10

Gold Plating:  
2: 6 $\mu$ ”; 3: 15 $\mu$ ”; 4: 30 $\mu$ ”; 5: 50 $\mu$ ”

0: w/o Panel Stop  
1: w/ Panel Stop  
**DEC Type(6p only)**  
2: w/o Panel Stop  
3: w/ Panel Stop

No. of Positions	Dimensions(m/m)		
	A	B	C
4	13.48	11.02	7.62
6	15.60	13.10	10.16
8	17.64	15.10	11.43
10	17.64	15.10	11.43

- Please contact our sales rep. for more shielded options

勝特力材料 886-3-5753170  
勝特力电子(上海) 86-21-54151736  
勝特力电子(深圳) 86-755-83298787  
[Http://www.100y.com.tw](http://www.100y.com.tw)

# Modular Jack

Board to Board Connector

Modular Jack

IC Socket

## Top Entry Modular Jack 180°(330)

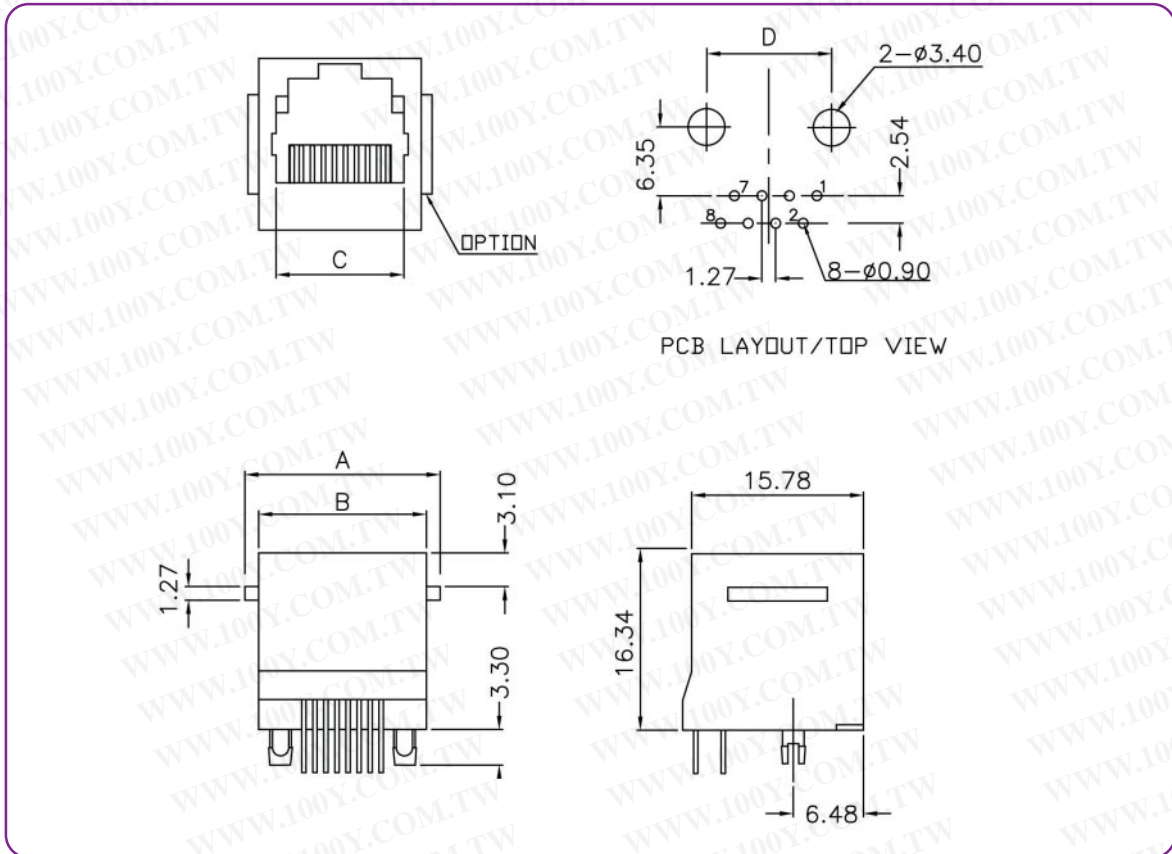
### Electrical:

- Current Rating: 1.5 AMP
- Voltage Rating: 150 VAC
- Contact Resistance: 20m MAX
- Insulation Resistance: 500m MIN
- Dielectric Withstanding Voltage: 1000 VAC, 1 min

### Mechanical:

- Housing: PBT Polyester UL 94V-0
- Color: Black
- Contacts: 0.35 thickness alloy selective gold plating

### Drawing:



勝特力材料 886-3-5753170

勝特力电子(上海) 86-21-54151736

勝特力电子(深圳) 86-755-83298787

Http://www.100y.com.tw



### Order Information:

330 - X X X 2 - 100 X

No of Positions:  
4, 6, 10

No of Contacts:  
2, 4, 6, 8, 10

Gold Plating:  
2: 6μ"; 3: 15μ"; 4: 30μ"; 5: 50μ"

0: w/o Panel Stop  
1: w/ Panel Stop

DEC Type(6p only)

2: w/o Panel Stop  
3: w/ Panel Stop

No. of Positions	Dimensions(m/m)			
	A	B	C	D
4	13.80	11.36	7.80	7.62
6	15.86	13.40	9.90	10.16
8	17.85	15.40	11.88	11.43
10	17.85	15.40	11.88	11.43

- DEC type(6p only)



## Side Entry Modular Jack(360/ 10P8C)

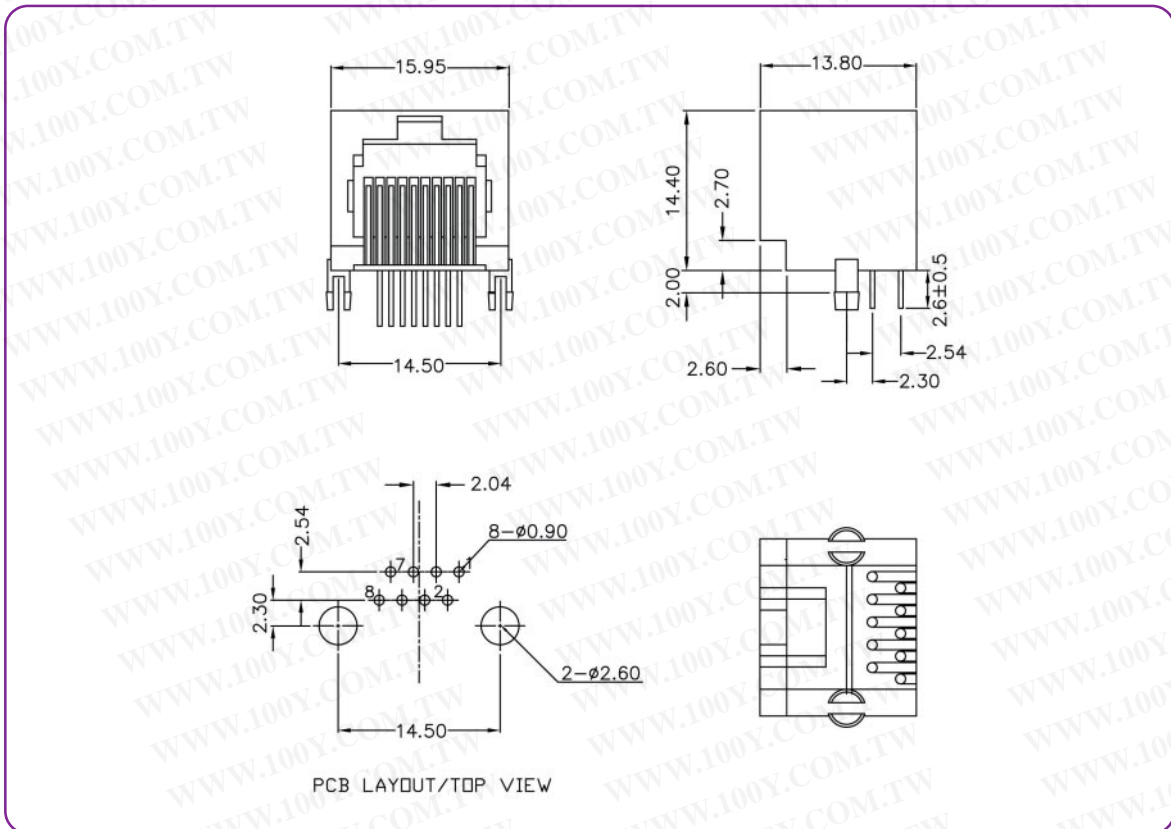
### Electrical:

- Current Rating: 1.5 AMP
- Voltage Rating: 150 VAC
- Contact Resistance: 20m MAX
- Insulation Resistance: 500m MIN
- Dielectric Withstanding Voltage: 1000 VAC, 1 min

### Mechanical:

- Housing: PBT Polyester UL 94V-0
- Color: Black
- Contacts: 0.45 diameter phos-bronze plated with hard gold

### Drawing:



### Order Information:

360 - 10 X X 1 - 1000

No of Positions:

No of Contacts:  
2, 4, 6, 8, 10

Gold Plating:

1: 3µ"; 2: 6µ"; 3: 15µ"; 4: 30µ"; 5: 50µ"

勝特力材料 886-3-5753170  
勝特力电子(上海) 86-21-54151736  
勝特力电子(深圳) 86-755-83298787  
[Http://www.100y.com.tw](http://www.100y.com.tw)

# Modular Jack

Board to Board Connector

Modular Jack

IC Socket

## Side Entry Modular Jack(360L/ 10P8C)

### Electrical:

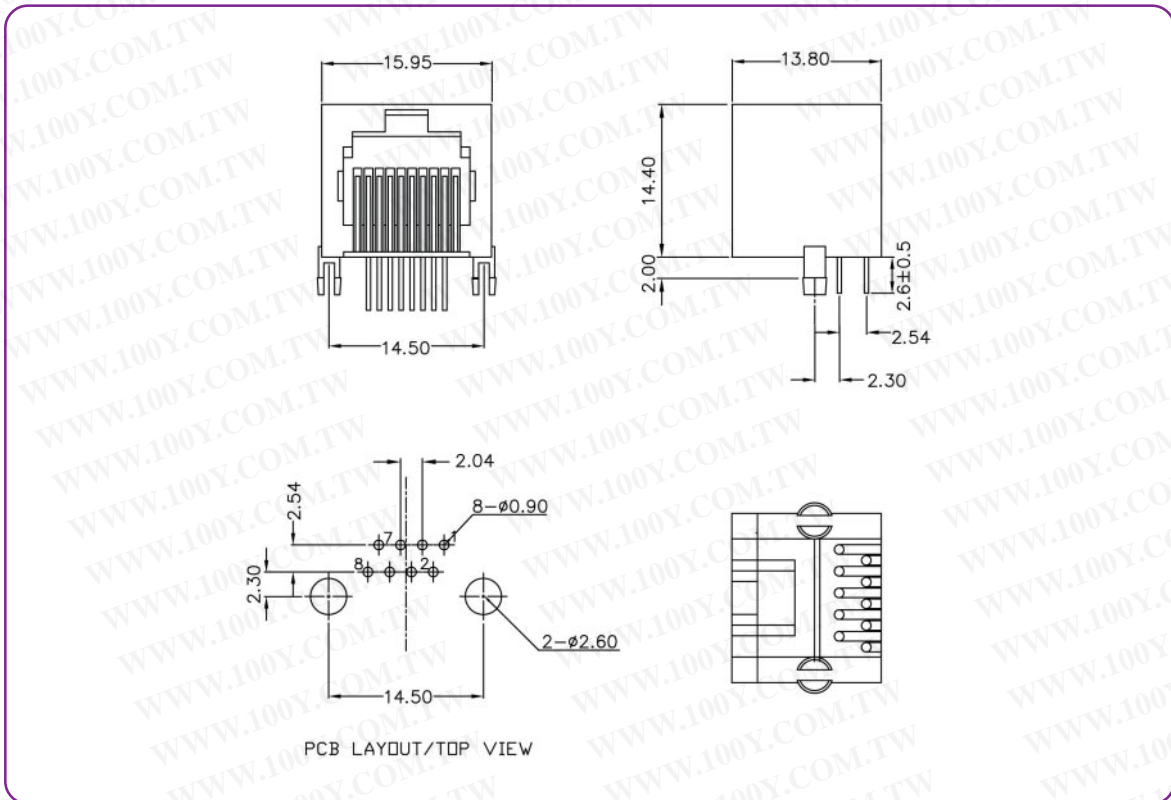
- Current Rating: 1.5 AMP
- Voltage Rating: 150 VAC
- Contact Resistance: 20m MAX
- Insulation Resistance: 500m MIN
- Dielectric Withstanding Voltage: 1000 VAC, 1 min

### Mechanical:

- Housing: PBT Polyester UL 94V-0
- Color: Black
- Contacts: 0.45 diameter phos-bronze plated with hard gold



### Drawing:



### Order Information:

360L - 10 X X 1 - 1000

No of Positions:

No of Contacts:  
2, 4, 6, 8, 10

Gold Plating:

1: 3μ"; 2: 6μ"; 3: 15μ"; 4: 30μ"; 5: 50μ"

勝特力材料 886-3-5753170  
勝特力电子(上海) 86-21-54151736  
勝特力电子(深圳) 86-755-83298787  
[Http://www.100y.com.tw](http://www.100y.com.tw)

## Side Entry Very L/P Modular Jack(370 11.5mm)

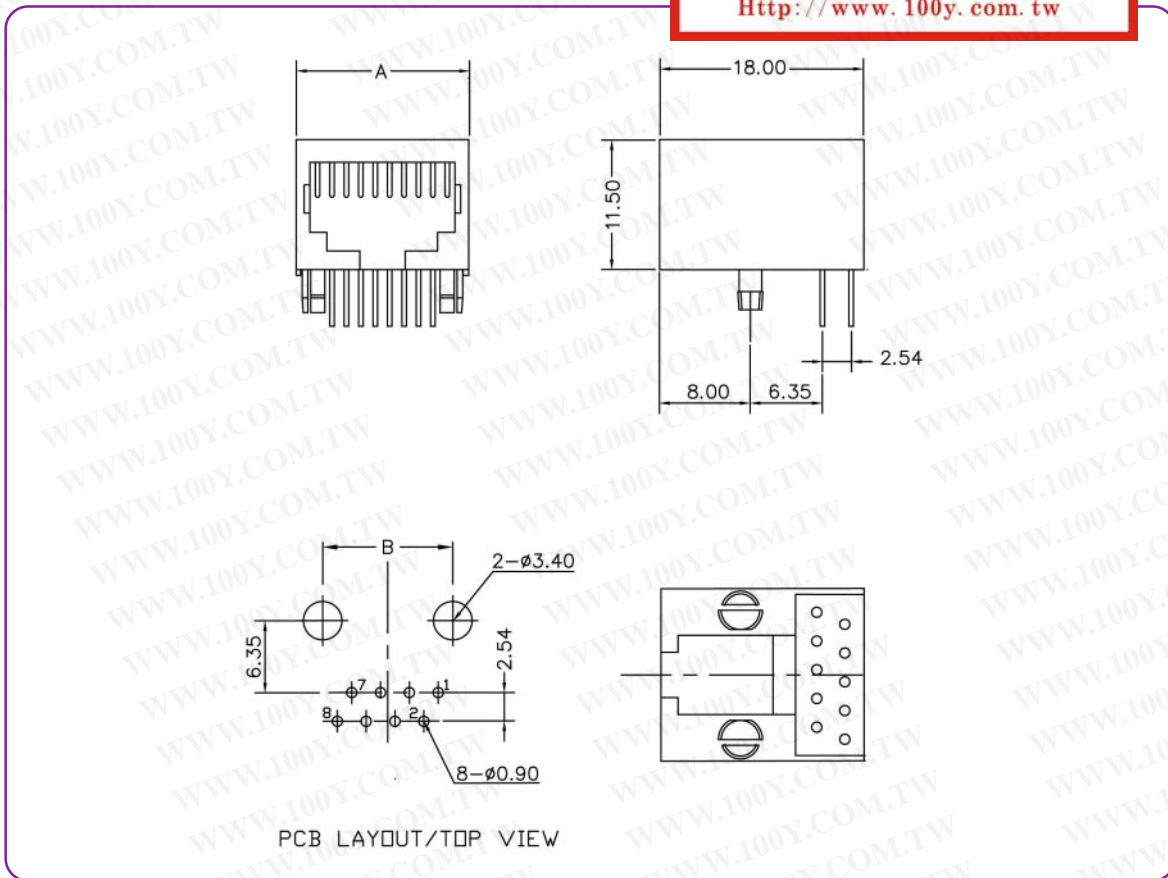
### Electrical:

- Current Rating: 1.5 AMP
- Voltage Rating: 150 VAC
- Contact Resistance: 20m MAX
- Insulation Resistance: 500m MIN
- Dielectric Withstanding Voltage: 1000 VAC, 1 min

### Mechanical:

- Housing: PBT Polyester UL 94V-0
- Color: Black
- Contacts: 0.35 thickness alloy selective gold plating

### Drawing:



### Order Information:

370 - X X X X - 1000

No of Positions:  
4, 6, 10

No of Contacts:  
2, 4, 6, 8, 10

Gold Plating:  
1: 3µ"; 2: 6µ"; 3: 15µ"; 4: 30µ"; 5: 50µ"

Contacts:  
1: Round Pin  
2: Flat Pin

No. of Positions	Dimensions(m/m)	
	A	B
4	11.10	7.62
6	13.14	10.16
8	15.16	11.43
10	15.16	11.43

# Modular Jack

Board to Board Connector

Modular Jack

IC Socket

## Side Entry Modular Jack(340 Series)

### Electrical:

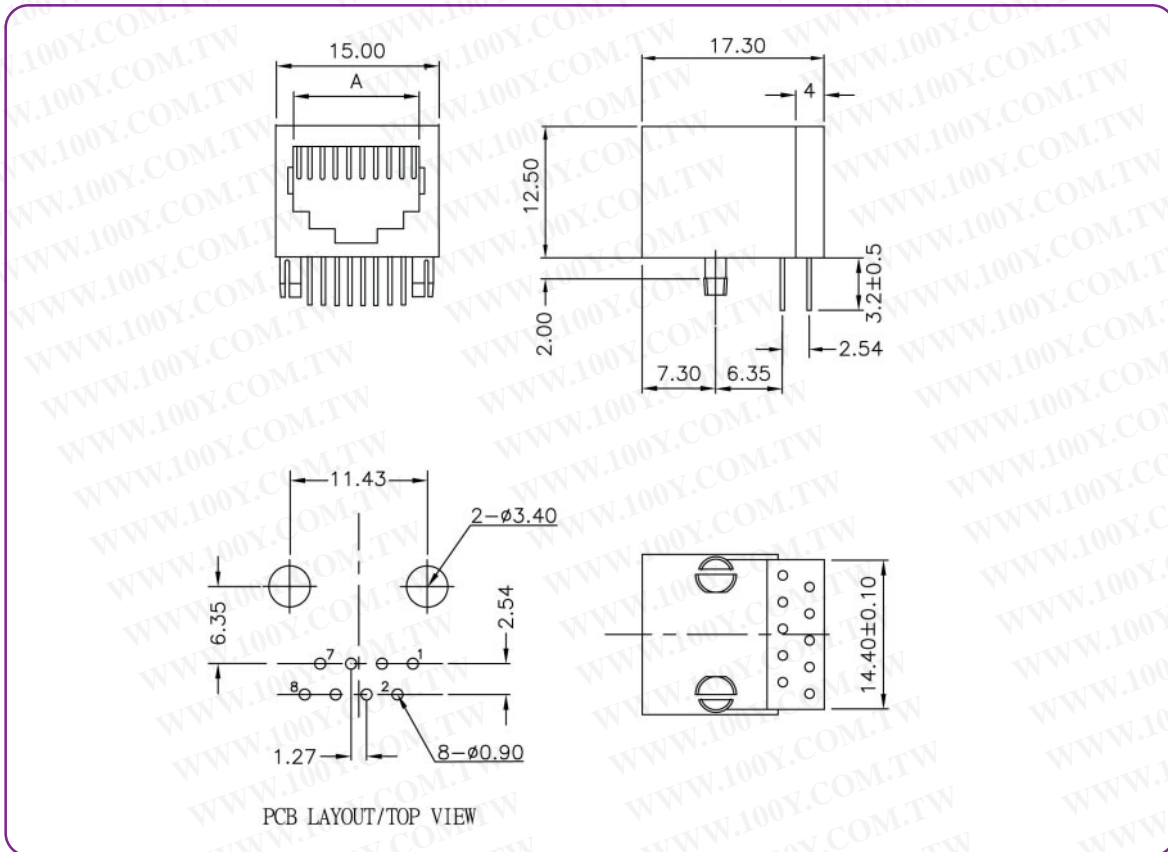
- Current Rating: 1.5 AMP
- Voltage Rating: 150 VAC
- Contact Resistance: 20m MAX
- Insulation Resistance: 500m MIN
- Dielectric Withstanding Voltage: 1000 VAC, 1 min

### Mechanical:

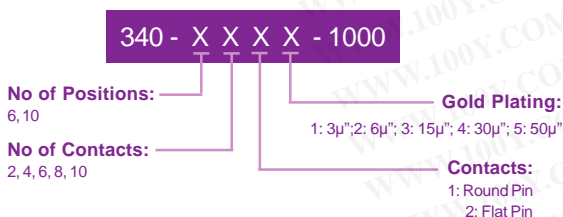
- Housing: PBT Polyester UL 94V-0
- Color: Black
- Contacts: 0.45 diameter phos-bronze plated with hard gold or 0.35 thickness alloy selective gold plating



### Drawing:



### Order Information:



No. of Positions	Dimensions(m/m) A
6	10.00
8	12.00
10	12.00

勝特力材料 886-3-5753170  
 勝特力电子(上海) 86-21-54151736  
 勝特力电子(深圳) 86-755-83298787  
[Http://www.100y.com.tw](http://www.100y.com.tw)

## Side Entry Modular Jack w/ Ferrite(340F)

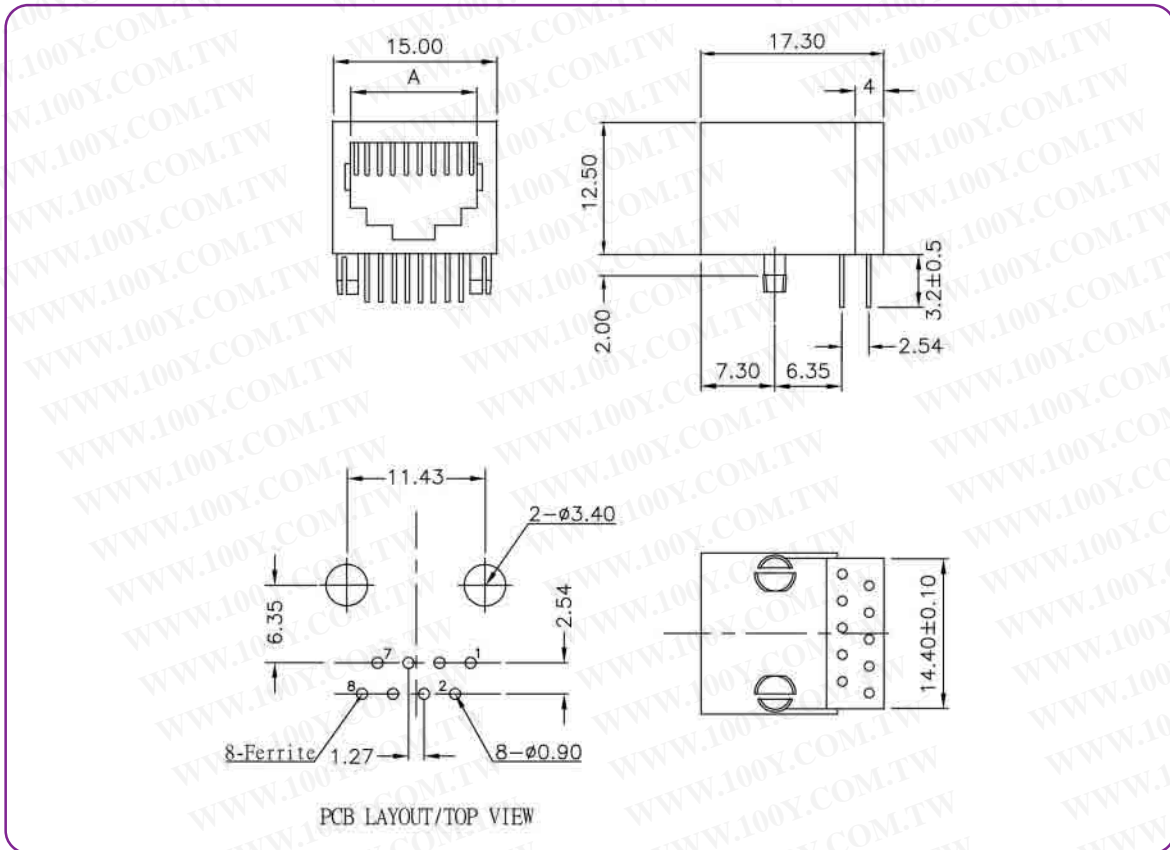
### Electrical:

- Current Rating: 1.5 AMP
- Voltage Rating: 150 VAC
- Contact Resistance: 20m MAX
- Insulation Resistance: 500m MIN
- Dielectric Withstanding Voltage: 1000 VAC, 1 min

### Mechanical:

- Housing: PBT Polyester UL 94V-0
- Color: Black
- Contacts: 0.45 diameter phos-bronze plated with hard gold or 0.35 thickness alloy selective gold plating

### Drawing:



### Order Information:

340F - X X X X - 1000

No of Positions:  
6, 10

No of Contacts:  
2, 4, 6, 8, 10

Gold Plating:

1: 3μ"; 2: 6μ"; 3: 15μ"; 4: 30μ"; 5: 50μ"

Contacts:

1: Round Pin  
2: Flat Pin

No. of Positions	Dimensions(m/m) A
6	10.00
8	12.00
10	12.00

# Modular Jack

Board to Board Connector  
Modular Jack  
IC Socket

勝特力材料 886-3-5753170  
勝特力电子(上海) 86-21-54151736  
勝特力电子(深圳) 86-755-83298787  
[Http://www.100y.com.tw](http://www.100y.com.tw)

## Twin Type 1.27m/m Modular Jack(623DSL/ 6P6C)

### Electrical:

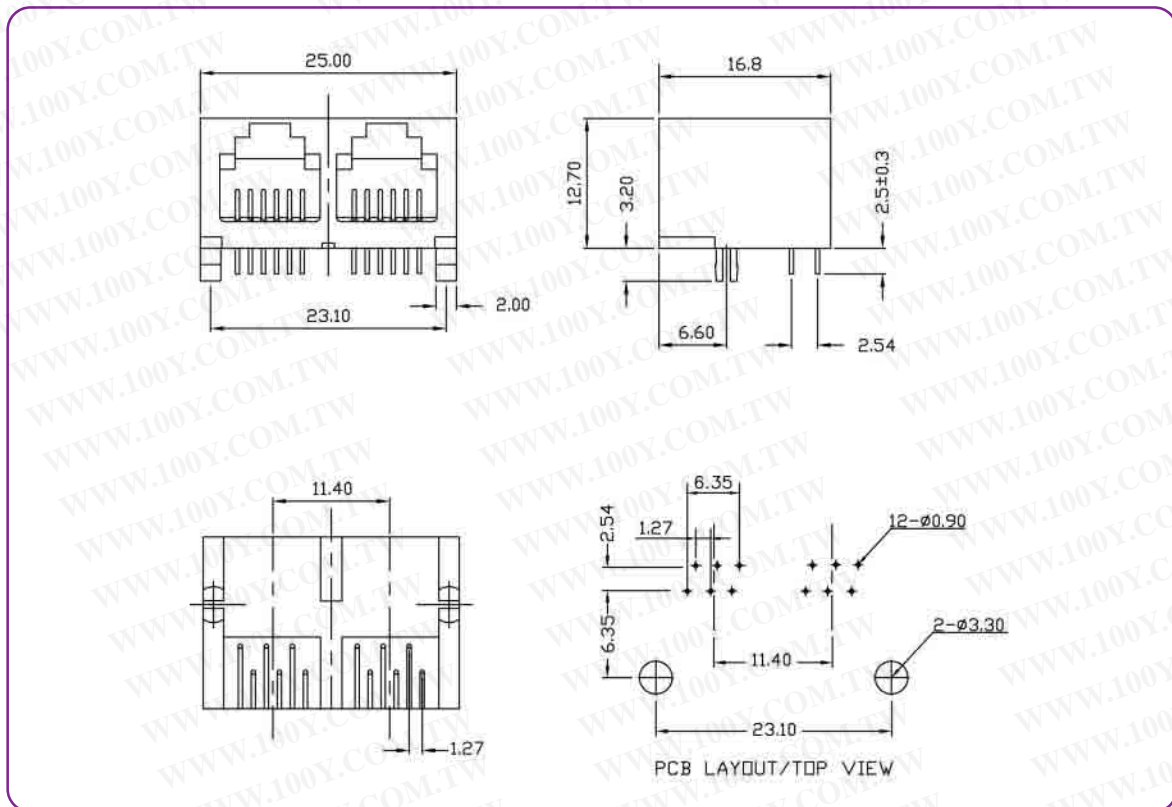
- Current Rating: 1.5 AMP
- Voltage Rating: 150 VAC
- Contact Resistance: 20m MAX
- Insulation Resistance: 500m MIN
- Dielectric Withstanding Voltage: 1000 VAC, 1 min

### Mechanical:

- Housing: PBT Polyester UL 94V-0
- Color: Black
- Contacts: 0.45 diameter phos-bronze plated with hard gold



### Drawing:



### Order Information:

623DSL - 6 X X 1 - 2000

No of Positions:

Gold Plating:

No of Contacts:  
2, 4, 6

1: 3μ"; 2: 6μ"; 3: 15μ"; 4: 30μ"; 5: 50μ"

## Twin Type Low Profile Modular Jack(623KBS2)

### Electrical:

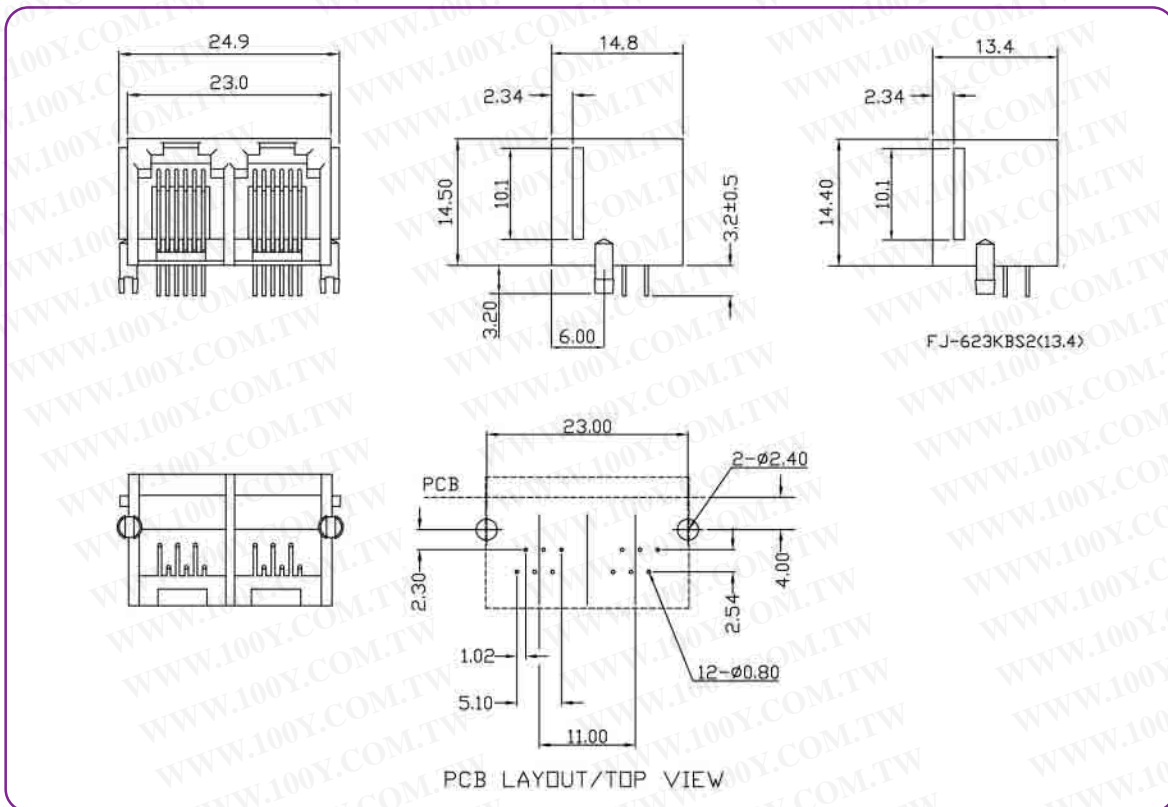
- Current Rating: 1.5 AMP
- Voltage Rating: 150 VAC
- Contact Resistance: 20m MAX
- Insulation Resistance: 500m MIN
- Dielectric Withstanding Voltage: 1000 VAC, 1 min

### Mechanical:

- Housing: PBT Polyester UL 94V-0
- Color: Black
- Contacts: 0.45 diameter phos-bronze plated with hard gold



### Drawing:



### Order Information:

623KBS - 6 X X 1 - 200 X

No of Positions:

No of Contacts:

2, 4, 6

Length:

1: 14.8  
2: 13.4

Gold Plating:

1: 3µ"; 2: 6µ"; 3: 15µ"; 4: 30µ"; 5: 50µ"

勝特力材料 886-3-5753170  
 勝特力电子(上海) 86-21-54151736  
 勝特力电子(深圳) 86-755-83298787  
[Http://www.100y.com.tw](http://www.100y.com.tw)

# Modular Jack

Board to Board Connector

Modular Jack

IC Socket

勝特力材料 886-3-5753170  
 勝特力电子(上海) 86-21-54151736  
 勝特力电子(深圳) 86-755-83298787  
[Http://www.100y.com.tw](http://www.100y.com.tw)

## Very L/ P Modular Jack-Plastic Pegs(623KM-P)

### Electrical:

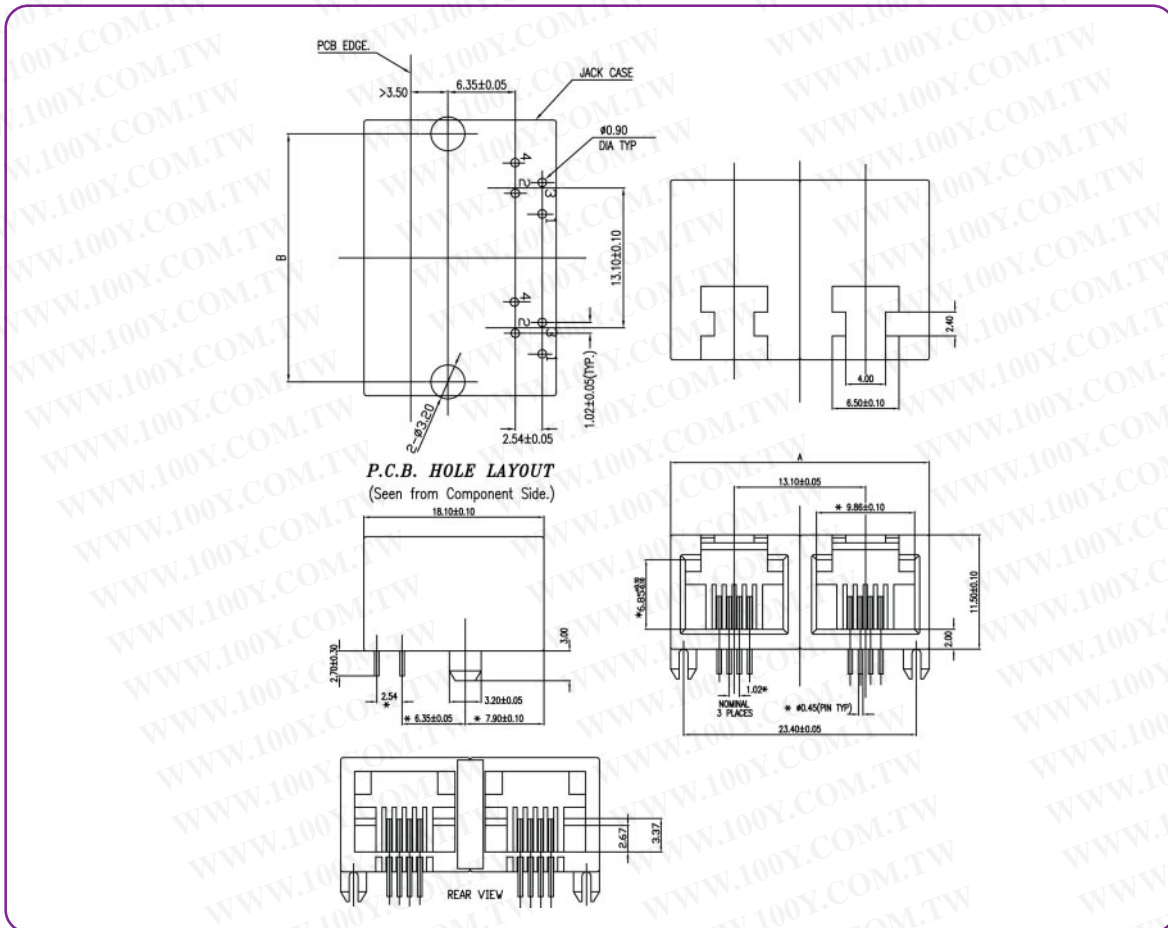
- Current Rating: 1.5 AMP
- Voltage Rating: 150 VAC
- Contact Resistance: 20m MAX
- Insulation Resistance: 500m MIN
- Dielectric Withstanding Voltage: 1000 VAC, 1 min

### Mechanical:

- Housing: PBT Polyester UL 94V-0
- Color: Black
- Contacts: 0.45 diameter phos-bronze plated with hard gold



### Drawing:



### Order Information:

623KM - 6 X X 1 - X 00 X

No of Positions:

No of Contacts:

2, 4, 6

Gold Plating:

1: 3μ"; 2: 6μ"; 3: 15μ"; 4: 30μ"; 5: 50μ"

Pegs:

1: Metal  
2: Plastic

No. of Ports:

1: 1 Port  
2: 2 Port

Ports	Dimensions(m/m)	
	A	B
1	13.1	10.16
2	26.2	23.40



## Side Entry Modular Jack(510)

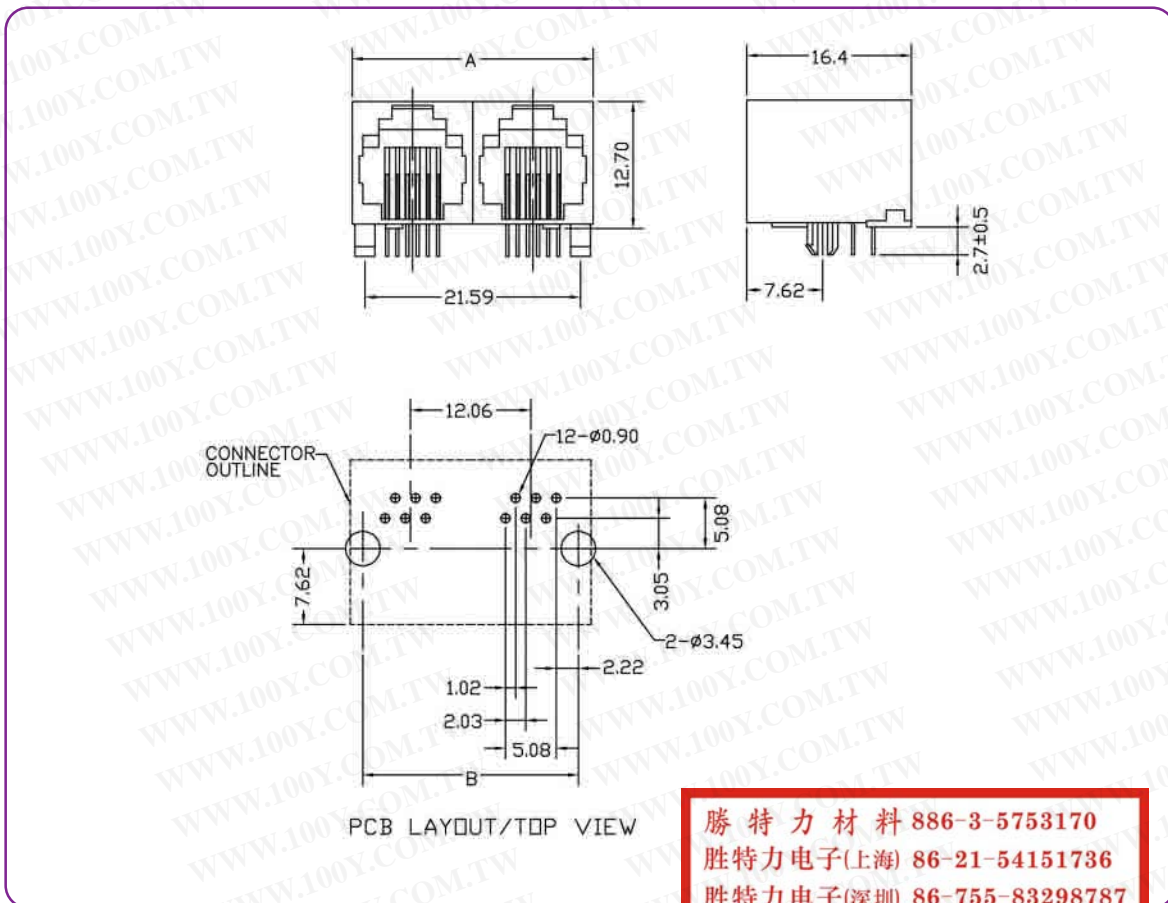
### Electrical:

- Current Rating: 1.5 AMP
- Voltage Rating: 150 VAC
- Contact Resistance: 20m MAX
- Insulation Resistance: 500m MIN
- Dielectric Withstanding Voltage: 1000 VAC, 1 min

### Mechanical:

- Housing: PBT Polyester UL 94V-0
- Color: Black
- Contacts: 0.35 thickness alloy selective gold plating

### Drawing:



勝特力材料 886-3-5753170  
 勝特力电子(上海) 86-21-54151736  
 勝特力电子(深圳) 86-755-83298787  
[Http://www.100y.com.tw](http://www.100y.com.tw)

### Order Information:

510 - 6 X X 2 - X 000

**No of Positions:** 2, 4, 6

**No of Contacts:** 2, 4, 6

**Gold Plating:** 2: 6µ"; 3: 15µ"; 4: 30µ"; 5: 50µ"

**No. of Ports:**  
 1: 1 Port  
 2: 2 Port

Ports	Dimensions(m/m)	
	A	B
1	12.1	9.53
2	24.1	21.59