



勝特力材料 886-3-5753170
 勝特力电子(上海) 86-21-54151736
 勝特力电子(深圳) 86-755-83298787
[Http://www.100y.com.tw](http://www.100y.com.tw)

2CL1

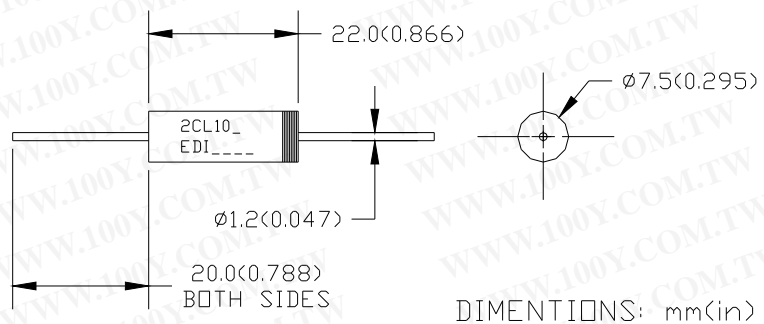
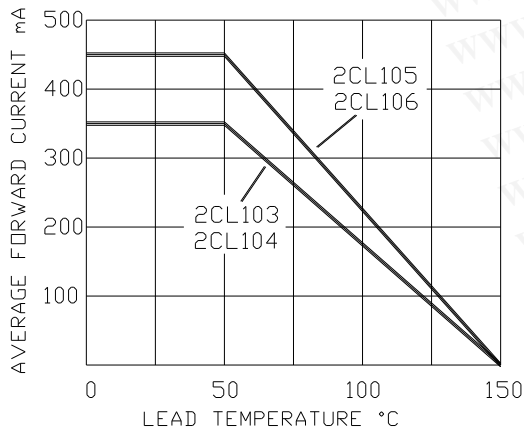
**HIGH VOLTAGE, HIGH CURRENT
 SILICON RECTIFIER DIODES**



| EDI TYPE # | PRV VOLTS | AVERAGE FORWARD CURRENT, I _O | MAX FORWARD VOLTAGE DROP (@PRV), |
|------------|-----------|---|----------------------------------|
| 2CL103 | 9,000 | 350 mA | 10V |
| 2CL104 | 12,000 | 350 mA | 12V |
| 2CL105 | 9,000 | 450 mA | 10V |
| 2CL106 | 12,000 | 450 mA | 12V |

Electrical Characteristics (at T_A = 25°C Unless Otherwise Specified)

| ELECTRICAL CHARACTERISTIC | 2CL10 Series |
|--------------------------------|--------------|
| MAX DC REVERSE CURRENT (25°C) | 5 μA |
| MAX DC REVERSE CURRENT (100°C) | 20 μA |
| OPERATING TEMPERATURE RANGE | -55 To 150°C |
| STORAGE TEMPERATURE RANGE | -55 To 150°C |



NOTES: It is recommended that a proper heat sink be used on the terminals of this device between the body and the soldering point to prevent damage from excess heat.

EDI reserves the right to change these specifications at any time without notice.