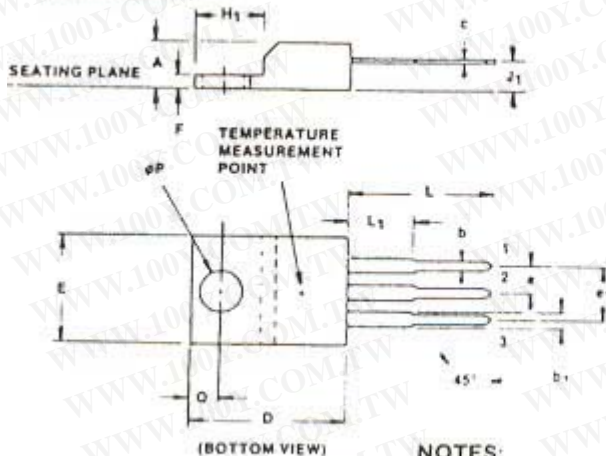


Silicon Transistors - Medium And High Power
 Contact Factory for complete specification.

STI Type	Industry Type	Polarity	$P_D @ 25^\circ C$ (watts)	T_j ($^\circ C$)
2SB536	2SB536	PNP	20	150
BV_{CEV} (volts)	BV_{CEO} (volts)	$h_{FE} @ I_C$		
		(Min.)	(Max.)	(A)
130*	120	40	250	.30
$V_{CE(sat)} @ I_C$		f_T (MHz)	Case Style	
(volts)	(A)			
-	-	40	TO-220	

勝特力材料 886-3-5753170
 勝特力电子(上海) 86-21-54151736
 勝特力电子(深圳) 86-755-83298787
[Http://www.100y.com.tw](http://www.100y.com.tw)

TO-220



SYMBOL	INCHES	
	MIN.	MAX.
A	0.140	0.190
b	0.020	0.045
b ₁	0.045	0.070
c	0.015	0.025
D	0.560	0.625
E	0.380	0.420
e	0.090	0.110
e ₁	0.190	0.210
F	0.045	0.055
H ₁	0.230	0.270
J ₁	0.080	0.115
L	0.500	0.562
L ₁	-	0.250
φP	0.139	0.161
Q	0.100	0.120

NOTES:

1. Tab contour optional within H₁ and E.
2. Position of lead to be measured 0.250 — 0.255 in (6.350 — 6.477 mm) from case.