

.050" Round, Shielded/Jacketed, Flat Cable

28 AWG Stranded, Mass-Term, PVC/PVC

3659 Series




- Round construction permits easier routing
- 28 AWG wire on .050 inch pitch permits mass termination to broad line of IDC connectors
- Continuous split/bond repeat allows for mass termination on 2.4 inch centers (approximate)
- Primary cable is zippable for branching or discrete terminations
- Meets external wiring requirements of National Electrical Code, Article 725 (CL2)
- UL listed for USA and Canadian markets
- Dual shielding provides 35 db average shielding effectiveness

Date Modified: July 29, 1999

TS-0083-14
Sheet 1 of 2

34

Physical

Jacket	Material: Polyvinyl Chloride (PVC)
	Color: Black
Primary Material:	PVC
	Color: Gray
Marking	
	Standard: (UL) CL2 75C 28 AWG or AWM 20267 3M NU  AWM IIA/B 80C 300V FT1 EU <50V
Conductors:	28 AWG 7 x 36 [7 x 0.127] Tinned Stranded Copper
Shielding:	.001 [0.03] Thick Aluminum/Polyester Film Foil and 90% Coverage Tinned Copper Braid

勝特力材料 886-3-5753170
勝特力电子(上海) 86-21-34970699
勝特力电子(深圳) 86-755-83298787
[Http://www.100y.com.tw](http://www.100y.com.tw)

Electrical

Voltage Rating:	USA: N.E.C. 725, CL2 or AWM; 300V	Canada: 300V	EU: <50V
Insulation Resistance:	> 1 x 10 ¹⁰ Ω/10 ft. [3m]		
	Unbalanced	Balanced	
Characteristic Impedance	62Ω	106 Ω	
Capacitance	27.7 pF/ft. [90.88 pF/m]	15.2 pF/ft. [49.9 pF/m]	
Inductance	.13 μH/ft. [0.43 μH/m]	.20 μH/ft. [0.66 μH/m]	
Propagation Delay	1.72 ns/ft. [5.64 ns/m]	1.62 ns/ft. [5.32 ns/m]	
Velocity of Propagation	59%	62%	

Note: Unbalanced is measured between ground-signal-ground conductors with shield grounded. Balanced is measured between signal conductors within a pair, with the shield floating.

Environmental

Temperature Rating: USA: CL2; 75°C Max or AWM; -20°C to +80°C Canada: 80°C
Flammability Rating: USA: N.E.C. 725, CL2 Canada: FTI

UL File No.: E118773, Power Limited Circuit Cable: CL2 (or AWM Style 20267)

3M Interconnect Solutions Division

6801 River Place Blvd.
Austin, TX 78726-9000

For technical, sales or ordering information call
800-225-5373

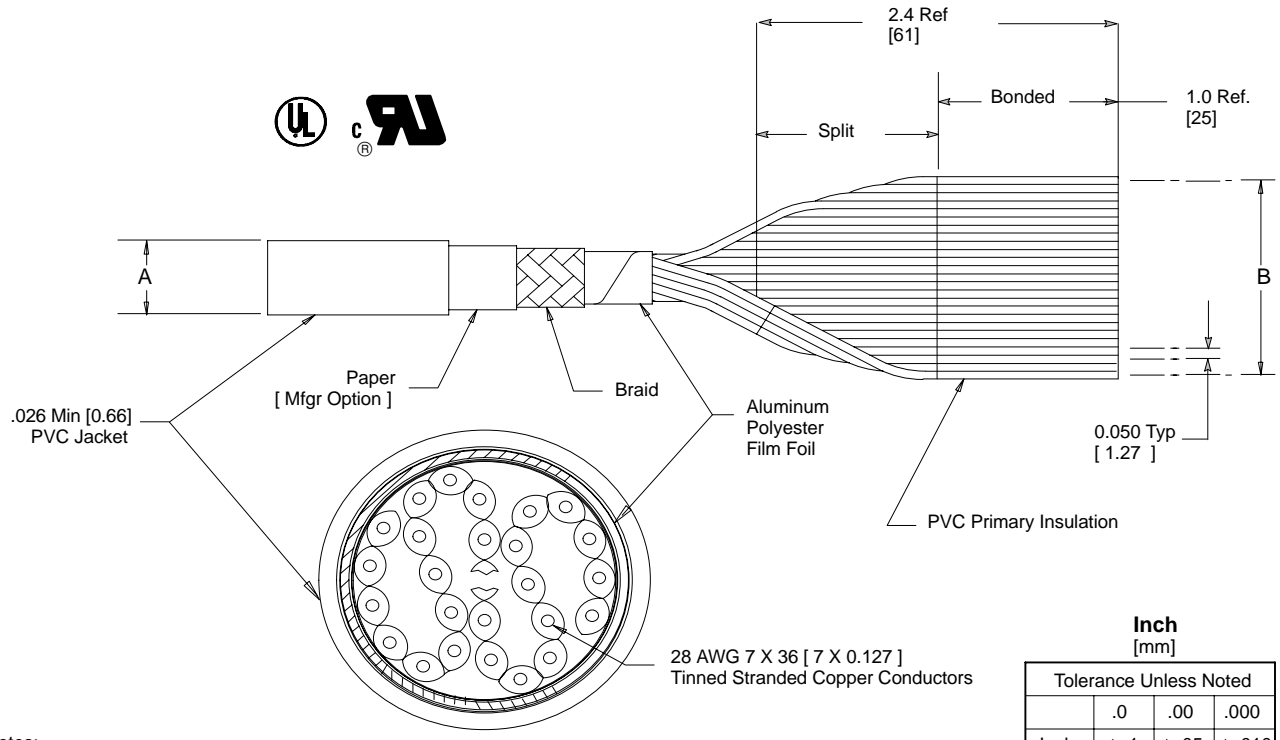
.050" Round, Shielded/Jacket, Flat Cable

28 AWG Stranded, Mass-Term, PVC/PVC

3659 Series

Number of Conductors	3M Part Number	Dimension A ± .03	Dimension B Ref (See Note 2)
09	3659/09	0.27 [6.9]	0.40 [10.2]
10	3659/10	0.27 [6.9]	0.45 [11.4]
14	3659/14	0.31 [7.9]	0.65 [16.5]
15	3659/15	0.31 [7.9]	0.70 [17.8]
16	3659/16	0.31 [7.9]	0.75 [19.1]
20	3659/20	0.34 [8.6]	0.95 [24.1]
24	3659/24	0.37 [9.4]	1.15 [29.2]
25	3659/25	0.37 [9.4]	1.20 [30.5]
26	3659/26	0.37 [9.4]	1.25 [31.8]
34	3659/34	0.41 [10.4]	1.65 [41.9]
36	3659/36	0.43 [10.9]	1.75 [44.5]
37	3659/37	0.43 [10.9]	1.80 [45.7]
40	3659/40	0.43 [10.9]	1.95 [49.5]
50	3659/50	0.48 [12.2]	2.45 [62.2]
60	3659/60	0.51 [13.0]	2.95 [74.9]
64	3659/64	0.54 [13.7]	3.15 [80.0]

勝特力材料 886-3-5753170
 胜特力电子(上海) 86-21-34970699
 胜特力电子(深圳) 86-755-83298787
[Http://www.100y.com.tw](http://www.100y.com.tw)



Inch [mm]			
Tolerance Unless Noted			
	.0	.00	.000
Inch	± .1	± .05	± .010

[] Dimensions for Reference only

- Notes:
- Red marking on one edge of primary cable designates wire #1.
 - Dimension B pertains to bonded area only.

Ordering Information

3659X/XX

Jacket Color Options
 Blank = "Standard" Black Jacket
 C = "Special" Cream Jacket
 G = "Special" Gray Jacket
 L = "Special" Light Olive Jacket

Number of Conductors (See Table)

Note: Available in standard length of 100 or 300 ft/roll, please specify when ordering.

TS-0083-14
 Sheet 2 of 2

3M Interconnect Solutions Division

6801 River Place Blvd.
 Austin, TX 78726-9000

For technical, sales or ordering information call
800-225-5373