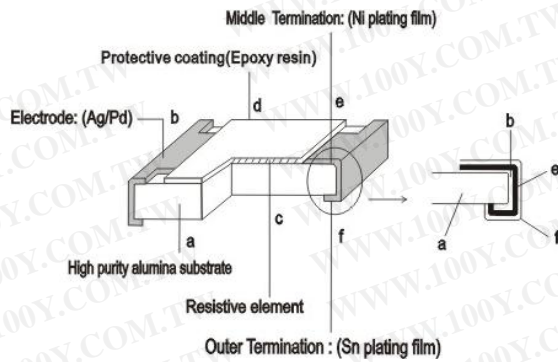


# Thick Film High Ohm Chip Resistor - CR (High Ohm) Series 厚膜高阻值貼片電阻

## CONSTRUCTION



## APPLICATION

- Entertainment: stereo, TV tuners, tape recorder
- Appliance: Air conditioner, refrigerator
- Computer & relative products: Mainboard, PDA
- Communication equipment: cell phone, Fax machine
- Power equipment: power supply, illumination equipment
- Measuring instrument: Electric meter, Navigation equipment

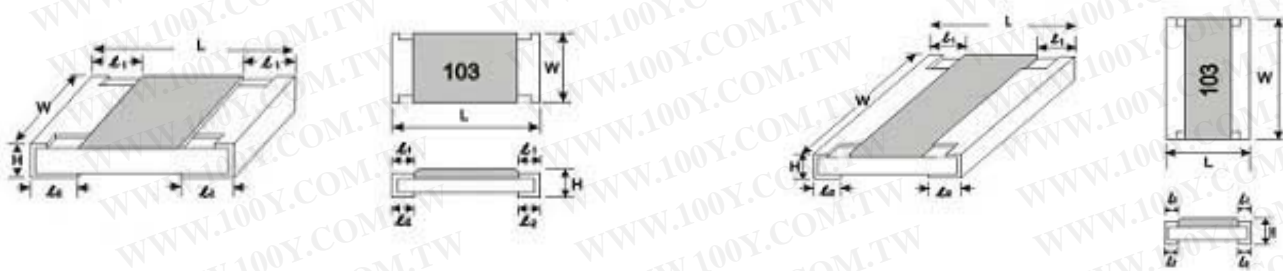
## FEATURES

- Small size and light weight
- Reduction of assembly costs and matching with placement machines
- Reliability, High quality and Fast Delivery

勝特力材料 886-3-5753170  
 勝特力电子(上海) 86-21-34970699  
 勝特力电子(深圳) 86-755-83298787  
[Http://www.100y.com.tw](http://www.100y.com.tw)

CR0402 / CR0603 / CR0805 / CR1206 / CR1210  
CR1812 / CR2010 / CR2512

CR1218 / CR2030



## DIMENSION

Unit: mm

TYPE	L	W	H	l <sub>1</sub>	l <sub>2</sub>
CR0402	1.00 ± 0.10	0.50 ± 0.05	0.30 ± 0.05	0.20 ± 0.10	0.20 ± 0.10
CR0603	1.60 ± 0.20	0.80 ± 0.15	0.40 ± 0.10	0.30 ± 0.20	0.30 ± 0.15
CR0805	2.00 ± 0.20	1.25 ± 0.15	0.50 ± 0.15	0.35 ± 0.15	0.35 ± 0.15
CR1206	3.20 ± 0.20	1.60 ± 0.20	0.55 ± 0.15	0.45 ± 0.20	0.45 ± 0.20
CR1210	3.20 ± 0.20	2.50 ± 0.20	0.55 ± 0.15	0.50 ± 0.20	0.50 ± 0.20
CR1812	4.50 ± 0.10	3.00 ± 0.10	0.55 ± 0.05	0.55 ± 0.10	0.80 ± 0.10
CR2010	5.00 ± 0.20	2.50 ± 0.20	0.55 ± 0.10	0.60 ± 0.20	0.60 ± 0.20
CR1218	3.10 ± 0.10	4.60 ± 0.10	0.55 ± 0.05	0.45 ± 0.10	0.40 ± 0.10
CR2512	6.30 ± 0.20	3.20 ± 0.20	0.55 ± 0.10	0.60 ± 0.20	0.60 ± 0.20
CR2030	5.10 ± 0.10	7.60 ± 0.10	0.60 ± 0.05	0.80 ± 0.10	0.70 ± 0.10



# Thick Film High Ohm Chip Resistor (厚膜高阻值貼片電阻)

## General Electrical Specifications

TYPE	Rated Power at 70°C	Max Working Voltage	Max Overload Voltage	T.C.R. (PPM/°C)	Resistance Range (MΩ)		Operating Temperature Range
					F(±1%)	J(±5%)	
CR0402	0.063 W	50V	100V	±200	10.1 MΩ ~ 54 MΩ	10.1 MΩ ~ 100 MΩ	-55°C ~ +155°C
CR0603	0.1 W	50V	100V				
CR0805	0.125 W	150V	300V				
CR1206	0.25 W	200V	400V				
CR1210	0.33 W	200V	400V				
CR1812	0.5 W	200V	400V				
CR2010	0.5 W	200V	400V				
CR1218	1 W	200V	400V				
CR2512	1 W	200V	400V				
CR2030	2 W	200V	400V				

