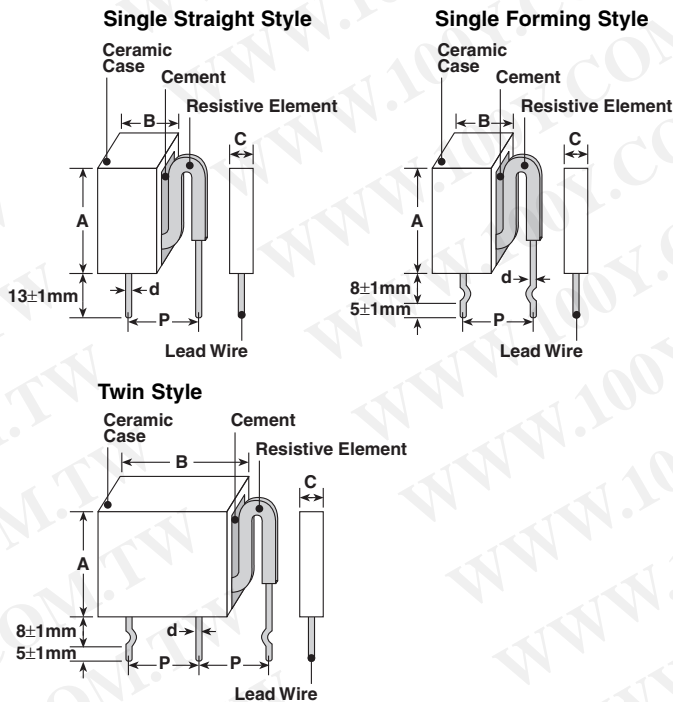


features

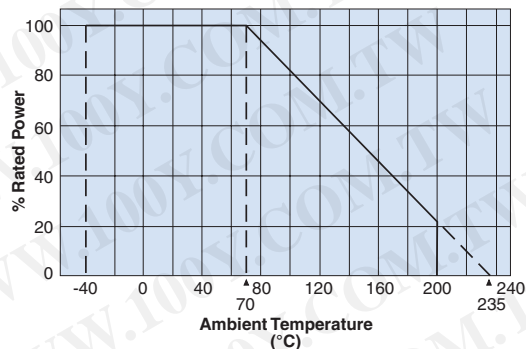
- Power type current detecting resistors
- Flame retardant resistors in ceramic case
- Automatic insertion for a 5mm pitch between terminals is applicable (26 type, 58 type)
- Low inductance
- Space saving
- Marking: Alpha/numeric marking
- Products with lead-free terminations meet EU RoHS requirements

dimensions and construction



Size Code	Dimensions inches (mm)				
	A	B	C	d	P
BPR26	.335±.04 (8.5±1.0)	.512±.04 (13.0±1.0)	.157±.04 (4.0±1.0)	.024±.04 (0.6±1.0)	.354±.04 (9.0±1.0)
BPR28	.335±.04 (8.5±1.0)	.512±.04 (13.0±1.0)	.157±.04 (4.0±1.0)	.031±.04 (0.8±1.0)	.354±.04 (9.0±1.0)
BPR38	.512±.04 (13.0±1.0)	.551±.04 (14.0±1.0)	.197±.04 (5.0±1.0)	.031±.04 (0.8±1.0)	.354±.04 (9.0±1.0)
BPR58	.709±.04 (18.0±1.0)	.551±.04 (14.0±1.0)		.031±.04 (0.8±1.0)	.354±.04 (9.0±1.0)
BPR108	.669±.06 (17.0±1.5)	1.02±.06 (26.0±1.5)	.197±.04 (5.0±1.0)	.031±.04 (0.8±1.0)	.787±.04 (20.0±1.0)
BPR55	.669±.06 (17.0±1.5)	1.02±.06 (26.0±1.5)		.031±.04 (0.8±1.0)	.394±.04 (10.0±1.0)
BPR77	.787±.07 (20.0±1.8)	1.02±.06 (26.0±1.5)		.031±.04 (0.8±1.0)	.394±.04 (10.0±1.0)

Derating Curve



For resistors operated at an ambient temperature of 70°C or above, a power rating shall be derated in accordance with the above derating curve.

ordering information

New Part #	BPR	5	8	C	F	R10	J
Type		Power Rating	Lead Wire Diameter	Termination Material	Packaging	Nominal Resistance	Tolerance
		2: 2W 3: 3W 5: 5W	6: ø0.6mm	C: SnCu	Nil: Straight lead F: Forming FT: Radial taping (BPR26FT, BPR58FT only)	2 significant figures +1 multiplier. "R" indicates decimal on value <10Ω. All values less than 0.1Ω are expressed in mΩ with "L" as decimal. Ex: 20mΩ - 20L	J: ±5% K: ±10%
		10: 10W 55: 5W+5W 77: 7W+7W	8: ø0.8mm Blank				

For further information on packaging, please refer to Appendix C.

applications and ratings

Part Designation	Power Rating	T.C.R. (ppm/°C) Max.	Resistance Range		Rated Ambient Temperature	Operating Temperature Range
			J: ±5% (E12)	K: ±10% (E12)		
BPR26	2W	±350*	0.01Ω 0.1Ω - 0.68Ω	0.01Ω - 0.68Ω	+70°C	-40°C to +200°C
BPR28	2W					
BPR38	3W					
BPR58	5W		0.01Ω, 0.1Ω - 1.0Ω	0.01Ω - 1.0Ω		
BPR108	10W		—	0.05Ω, 0.1Ω - 1.0Ω		
BPR55	5W+5W		0.05Ω, 0.1Ω 0.22Ω - 0.47Ω	0.03Ω - 0.47Ω		
BPR77	7W+7W					

* Application range: The straight style of 0.018Ω or over

standard resistance

Resistance	26, 28		38		58		108		55		77	
	J: ±5%	K: ±10%	J: ±5%	K: ±10%	J: ±5%	K: ±10%	J: ±5%	K: ±10%	J: ±5%	K: ±10%	J: ±5%	K: ±10%
0.01	○	○	○	○	○	○	—	—	—	—	—	—
0.012		○		○		○	—	—	—	—	—	—
0.015		○		○		○	—	—	—	—	—	—
0.02*		○		○		○	—	—	—	—	—	—
0.022		○		○		○	—	—	—	—	—	—
0.027		○		○		○	—	—	—	—	—	—
0.03*		○		○		○	—	—		○		
0.033		○		○		○	—	—				
0.039		○		○		○	—	—				
0.04*		○		○		○	—	—				
0.047		○		○		○	—	—				
0.05*		○		○		○	—	—				
0.068		○		○		○		○		○		○
0.082		○		○		○						
0.1	○	○	○	○	○	○		○		○		○
0.12	○	○	○	○	○	○				○		
0.15	○	○	○	○	○	○				○		
0.18	○	○	○	○	○	○				○		
0.22	○	○	○	○	○	○				○		○
0.27	○	○	○	○	○	○				○		
0.33	○	○	○	○	○	○				○		○
0.39	○	○	○	○	○	○				○		○
0.47	○	○	○	○	○	○				○		
0.56	○	○	○	○	○	○						
0.68	○	○	○	○	○	○				—	—	—
0.82										—	—	—
1.00										—	—	—

○ : Available

Blank : Please consult

— : Not available

* Non standard E-12 Decade Value

environmental applications Performance Characteristics

Parameter	Requirement Δ R%		Test Method
	Limit	Typical	
Resistance	Within regulated tolerance	—	25°C (Measurement position: 10mm under from the case)
T.C.R.	Within specified T.C.R.	—	+25°C/-55°C and +25°C/+125°C (Application range: the straight style of 0.018Ω over)
Overload (Short time)	±2.0%	±1.0%	Rated power x 2.5 for 5 seconds (Application range: 0.05Ω & over)
Resistance to Solder Heat	±2.0%	±1.0%	260°C ± 5°C, 10 seconds ± 1 second
Moisture Resistance	±5.0%	±3.0%	40°C ± 2°C, 90 - 95% RH, 1000 hours, 1.5 hr ON, 0.5 hr OFF cycle
Endurance at 70°C	±5.0%	±3.0%	70°C ± 2°C, 1000 hours, 1.5 hr ON, 0.5 hr OFF cycle
High Temperature Exposure	±3.0%	±2.0%	+125°C, 100 hours
Resistance to Solvent	No evidence of damage to protective coating and marking	—	After immersing the sample in I.P.A for 60 seconds ± 10 seconds, the resistor surface should be rubbed with absorbent cotton 10 times

Specifications given herein may be changed at any time without prior notice. Please confirm technical specifications before you order and/or use.

12/18/12