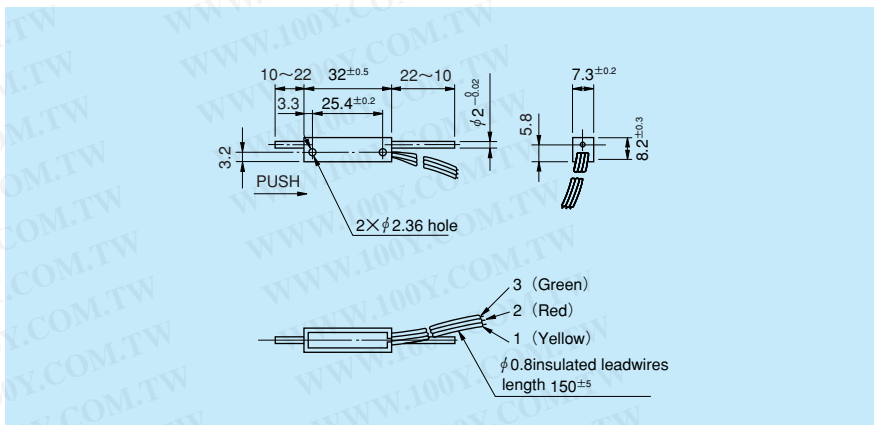


● Standard Dimensions



● General Specifications

Standard Resistance

Values: 1k, 2k, 5k, 10k, 20k (Ω)

Max. Practical

Resistance Value: 50kΩ

Total Resistance

Tolerance: Standard Class ±15% (L)
Precision Class ±10% (K)

Independent

Linearity Tolerance: Standard Class ±2.0%
Precision Class ±1.0%

Resolution: Essentially infinite

Output Smoothness: Within 0.1% against input voltage

Contact Resistance

Variation: Within 2% C.R.V.

Power Rating:

0.2W

Electrical Stroke:

11±0.5mm

Mechanical Stroke:

About 12mm

Insulation Resistance:

Over 1,000MΩ at 500V.D.C.

Dielectric Strength:

1 minute at 500V.A.C.

Friction

Within 0.3N (30gf)

Stopper Strength

Approx. 10N (1kgf)

Resistance

Temperature

Coefficient:

±400p.p.m./°C

Mass:

Approx. 5g

● Special Specifications Available

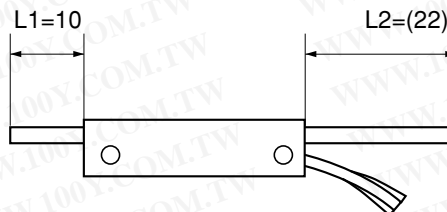
Spring return device incorporated (Friction is approx. 3N [300gf].), Special electrical stroke (8mm, 12mm), Special machining on the shaft.

● SPECIAL NOTE

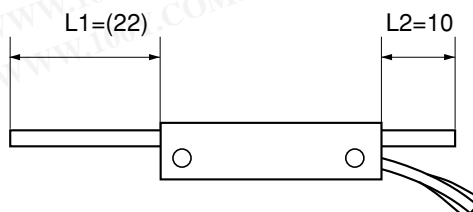
When ordering special shaft length of our linear-motion potentiometers, especially models 30LP, 8FLP and 15FLP series as standard version with front and rear shaft extension, please be sure to specify the shaft length exactly when the shaft is completely pressed into the housing.

Example: In case of model 8FLP10A standard version

As you see from the above right drawing, please specify the exact length of L1 and L2 when the shaft is completely pressed into the housing.



The condition of spring returned



In case of models with spring return device, the condition of spring returned is as right drawing and please specify the exact length of L1 and L2 when the shaft is completely pressed into the housing.

勝特力材料 886-3-5753170
 勝特力电子(上海) 86-21-34970699
 勝特力电子(深圳) 86-755-83298787
 Http://www.100y.com.tw