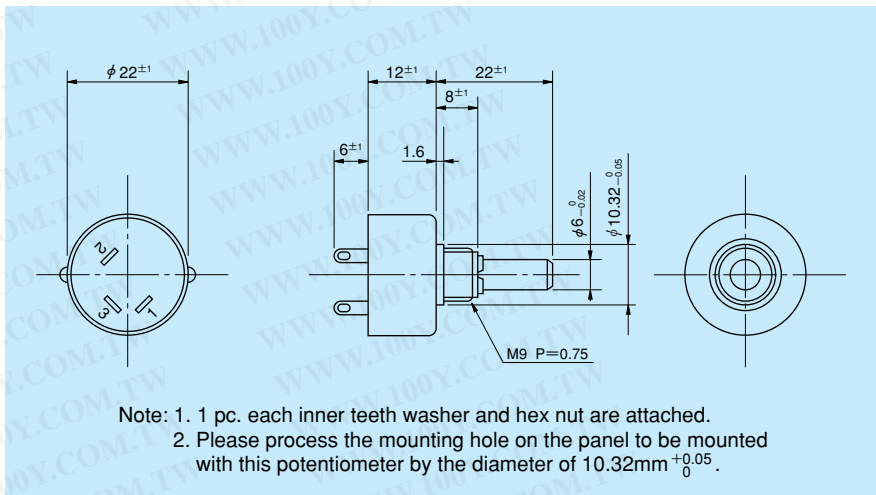


● Standard Dimensions



● General Specifications

<b>Standard Resistance Range:</b>	50 Ω to 10k Ω	<b>Noise:</b>	Within 100 Ω E.N.R.
<b>Max. Practical Resistance Value:</b>	20k Ω	<b>Electrical Travel:</b>	355° ±5°
<b>Total Resistance Tolerance:</b>	Standard Class ±3% (H) Precision Class ±1% (F)	<b>Mechanical Travel:</b>	360° (Endless)
<b>Independent Linearity Tolerance:</b>	Standard Class ±0.5% Precision Class ±0.25% (±0.35% in case of within 1k Ω)	<b>Insulation Resistance:</b>	Over 1,000M Ω at 1,000V.D.C.
<b>Power Rating:</b>	0.5W	<b>Dielectric Strength:</b>	1 minute at 1,000V.A.C.
		<b>Starting Torque:</b>	Within 5mN·m (50gf·cm)
		<b>Resist. Temperature Coefficient of Wire:</b>	±20p.p.m./°C
		<b>Mass:</b>	Approx. 23g

● Standard Resistance Values ■ No. of Wire Turns ■ Resistance Wire Used

Resist. Value (Ω)	50	100	200	500	1k	2k	5k	10k	※20k
No. of Wire Turns	300	370	470	450	570	740	1,000	1,270	1,670
Resist. Wire Used	Cu-Ni System				Ni-Cr System				

Note: Mark ※ shows value at special higher practical resistance.

● Special Specifications Available

Lower resistance values (10 Ω, 20 Ω), Extra taps (Available up to 1 tap), Rear shaft (3mm dia. and 20mm length), Stopper (Rotating angle becomes 320° and stopper strength is 0.9N·m [9kgf·cm]), Special electrical travel, Inch dimensional shaft dia. (φ 6.35mm) • Bushing with inch dimensions, Special machining on the shaft.

勝特力材料 886-3-5753170  
 勝特力电子(上海) 86-21-34970699  
 勝特力电子(深圳) 86-755-83298787  
[Http://www.100y.com.tw](http://www.100y.com.tw)