

LVK Series

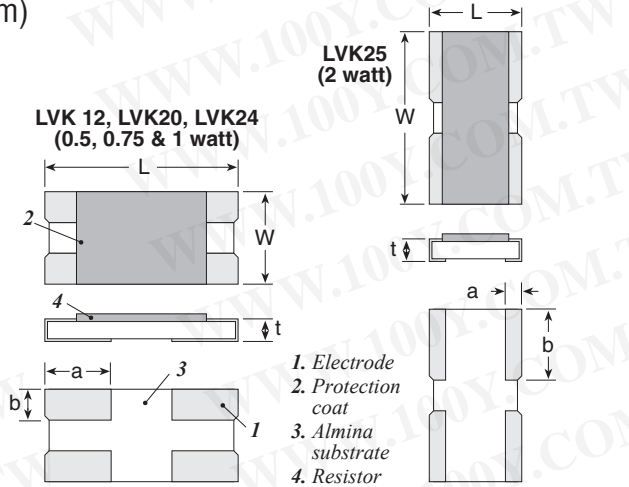
Four Terminal High Precision Current Sense

勝特力材料 886-3-5753170
 勝特力电子(上海) 86-21-34970699
 勝特力电子(深圳) 86-755-83298787
[Http://www.100y.com.tw](http://www.100y.com.tw)

CURRENT
SENSE

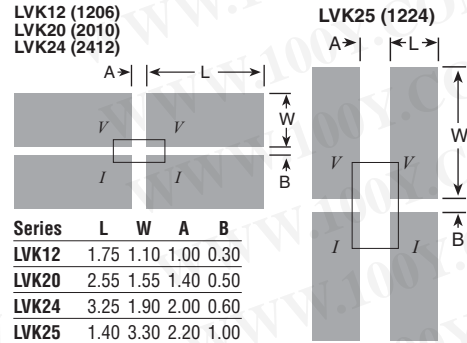
DIMENSIONS

(mm)

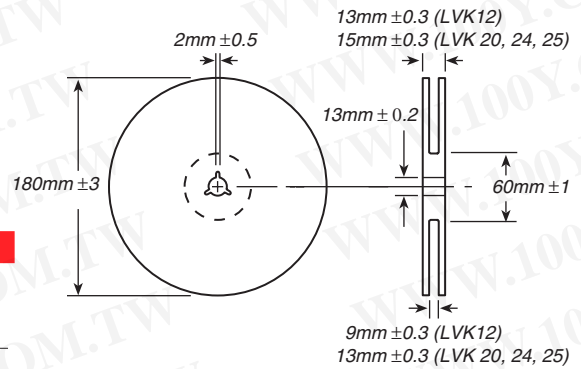


Size	L	W	t	a	b
LVK12 (1206)	3.2 ±0.2	1.6 ±0.2	0.5 ±0.15	1.0 ±0.2	0.55 ±0.2
LVK20 (2010)	5.0 ±0.2	2.5 ±0.2	0.5 ±0.15	1.7 ±0.2	0.9 ±0.2
LVK24 (2412)	6.4 ±0.2	3.2 ±0.2	0.5 ±0.15	2.1 ±0.2	1.2 ±0.2
LVK25 (1224)	3.2 ±0.2	6.4 ±0.2	0.5 ±0.2	0.4 ±0.2	2.7 ±0.2

Land Pattern



Reel



PERFORMANCE CHARACTERISTICS

Test Items	Performance Requirements	Test Methods
Overload	±(0.5%+0.0005Ω)	Rated voltage x 1.5 for 5s
Endurance at 70°C	±(0.5%+0.0005Ω)	70°C±3°C, Rated voltage 1.5h ON, 0.5h OFF, 1000h
Moisture resistance	±(0.5%+0.0005Ω)	60°C±2°C, 90%~95% RH, Rated voltage 1.5h ON, 0.5h OFF, 1000h
Rapid change of temperature	±(0.5%+0.0005Ω)	-40°C (30min.)/+125°C (30min.), 5 cycles
Resistance to soldering heat	±(0.5%+0.0005Ω)	260°C±5°C for 10s±1s
Substrate bending	±(0.5%+0.0005Ω)	Bending width: 2mm for 10s±1s, Glass epoxy substrate with thickness of 1.6mm
Solderability	95% or more of the electrode surface shall be covered with new solder	245°C±5°C for 3s±0.5s

ORDERING INFORMATION

RoHS Compliant

LVK25R005FER

Series	Case Size	Ohms	Tolerance	Taping Code
12 = 1206	R005 = 0.005	D = 0.5%	R = 1,000 pc/reel	F = 1%
20 = 2010				
24 = 2412				
25 = 1224				

Check product availability at www.ohmite.com

Standard values

LVK12	LVK20	LVK24	LVK25	LVK12	LVK20	LVK24
1% Tolerance				0.5% Tolerance		
0.01	0.01	0.01	0.001	0.01	0.01	0.01
0.012		0.012	0.002	0.02	0.02	0.02
	0.015	0.015	0.003	0.03	0.03	0.03
			0.005	0.05	0.05	0.05
0.02	0.02	0.02				
0.024	0.027					
0.03	0.03	0.03	0.01			
			0.039			
			0.039			
0.047		0.047				
0.05	0.05	0.05				