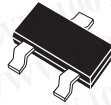


CMPD2836
CMPD2838

SURFACE MOUNT
DUAL, SILICON
SWITCHING DIODES



SOT-23 CASE

CentralTM
Semiconductor Corp.

DESCRIPTION:

The Central Semiconductor CMPD2836 and CMPD2838 types are ultra-high speed switching diodes manufactured by the epitaxial planar process, in an epoxy molded surface mount package, designed for high speed switching applications.

The following configurations are available:

CMPD2836
CMPD2838

DUAL, COMMON ANODE
DUAL, COMMON CATHODE

MARKING CODE: CA2
MARKING CODE: CA6

MAXIMUM RATINGS: ($T_A=25^\circ\text{C}$)

	SYMBOL		UNITS
Peak Repetitive Reverse Voltage	V_{RRM}	75	V
Average Forward Current	I_O	200	mA
Peak Forward Current	I_{FM}	300	mA
Power Dissipation	P_D	350	mW
Operating and Storage			
Junction Temperature	T_J, T_{stg}	-65 to +150	$^\circ\text{C}$
Thermal Resistance	Θ_{JA}	357	$^\circ\text{C/W}$

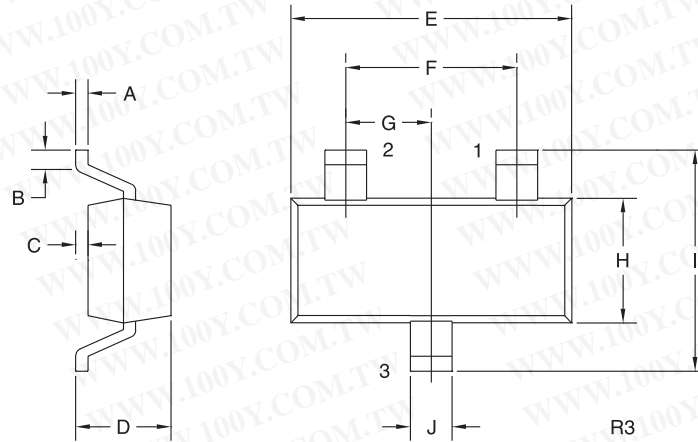
ELECTRICAL CHARACTERISTICS PER DIODE: ($T_A=25^\circ\text{C}$ unless otherwise noted)

SYMBOL	TEST CONDITIONS	MIN	TYP	MAX	UNITS
BV_R	$I_R=100\mu\text{A}$	75			V
I_R	$V_R=50\text{V}$			100	nA
V_F	$I_F=10\text{mA}$			1.0	V
V_F	$I_F=50\text{mA}$			1.0	V
V_F	$I_F=100\text{mA}$			1.2	V
C_T	$V_R=0, f=1.0\text{MHz}$		1.5	4.0	pF
t_{rr}	$I_R=I_F=10\text{mA}, R_L=100\Omega, \text{Rec. to } 1.0\text{mA}$			4.0	ns

勝特力材料 886-3-5753170
勝特力电子(上海) 86-21-54151736
勝特力电子(深圳) 86-755-83298787
[Http://www.100y.com.tw](http://www.100y.com.tw)

R5 (6-August 2003)

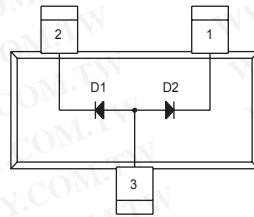
SOT-23 CASE - MECHANICAL OUTLINE



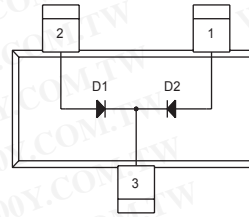
SYMBOL	INCHES		MILLIMETERS	
	MIN	MAX	MIN	MAX
A	0.003	0.007	0.08	0.18
B	0.006	-	0.15	-
C	-	0.005	-	0.13
D	0.035	0.043	0.89	1.09
E	0.110	0.120	2.80	3.05
F	0.075		1.90	
G	0.037		0.95	
H	0.047	0.055	1.19	1.40
I	0.083	0.098	2.10	2.49
J	0.014	0.020	0.35	0.50

SOT-23 (REV: R3)

MARKING CODE:
CMPD2836: CA2
CMPD2838: CA6



LEAD CODE:
CMPD2836
1) Cathode D2
2) Cathode D1
3) Anode D1, Anode D2



LEAD CODE:
CMPD2838
1) Anode D2
2) Anode D1
3) Cathode D1, Cathode D2

R5 (6-August 2003)

勝特力材料 886-3-5753170
勝特力电子(上海) 86-21-54151736
勝特力电子(深圳) 86-755-83298787
[Http://www.100y.com.tw](http://www.100y.com.tw)