

#### DESCRIPTION

Dual center tap schottky rectifier designed for high frequency miniature Switched Mode Power Supplies.

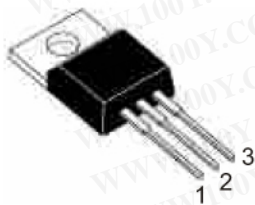
#### Major Ratings and Characteristics

Characteristics	Values	Unit
$I_{F(AV)}$ Rectangular waveform	2 X 20	A
$V_{RRM}$	100	V
$V_F$ @20 Apk, $T_C = 125^\circ\text{C}$ (per leg)	0.73	V
$T_J$ range	-45 ~ +150	$^\circ\text{C}$

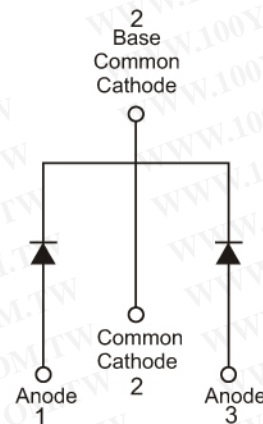
#### FEATURES

- ◆ High junction temperature capability
- ◆ Good trade off between leakage current and forward voltage drop
- ◆ Low leakage current

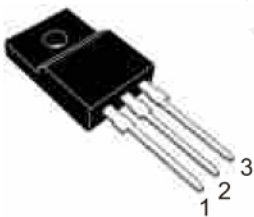
TO-220AB



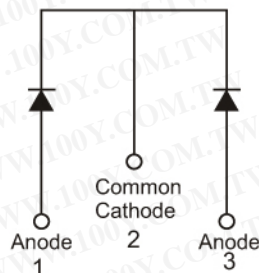
TO-3P



TO-220FPAB



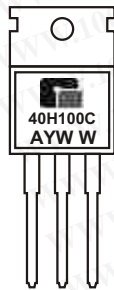
TO-3PF



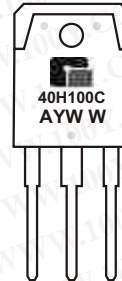
勝特力材料 886-3-5753170  
 勝特力电子(上海) 86-21-34970699  
 勝特力电子(深圳) 86-755-83298787  
[Http://www.100y.com.tw](http://www.100y.com.tw)

#### ◆ MARKING INFORMATION

TO - 220AB



TO - 3P



勝特力材料 886-3-5753170  
 勝特力电子(上海) 86-21-34970699  
 勝特力电子(深圳) 86-755-83298787  
[Http://www.100y.com.tw](http://www.100y.com.tw)

A : Assembly Location  
 Y : Year  
 WW : Weekly

#### ◆ ORDERING INFORMATION

Ordering Number	Package	Shipping
GMR40H100CTP3T	TO - 3P	30 Unit/ Tube
GMR40H100CTPF3T	TO - 3PF	30 Unit/ Tube
GMR40H100CTB3T	TO - 220AB	50 Unit/ Tube
GMR40H100CTBF3T	TO - 220FPAB	50 Unit/ Tube

\* For detail Ordering Number identification, please see last page.

#### ◆ ABSOLUTE RATINGS ( $T_C = 25^\circ\text{C}$ )

Symbol	Parameter	Value	Unit
$V_{RRM}$	Repetitive peak reverse voltage	100	V
$I_{F(AV)}$	Maximum average forward rectified current	per diode 20 per device 40	A
$I_{FSM}$	Peak forward surge current 8.3ms single half sine-wave superimposed on rated load per leg. (Non-Repetitive)	350	A
$T_j, T_{stg}$	Operating junction temperature and storage temperature	-45 to + 150	$^\circ\text{C}$

### HIGH VOLTAGE POWER SCHOTTKY RECTIFIER

◆ **Thermal Characteristics** ( $T_C = 25^\circ\text{C}$  unless otherwise noted)

Parameter	Symbol	TO-220AB	TO-220FPAB	TO-3P	TO-3PF	Unit
Typical thermal resistance per leg	$R_{\theta JC}$	0.75	3.2	0.85	1.10	$^\circ\text{C/W}$

◆ **Electrical Characteristics** ( $T_C = 25^\circ\text{C}$  unless otherwise noted)

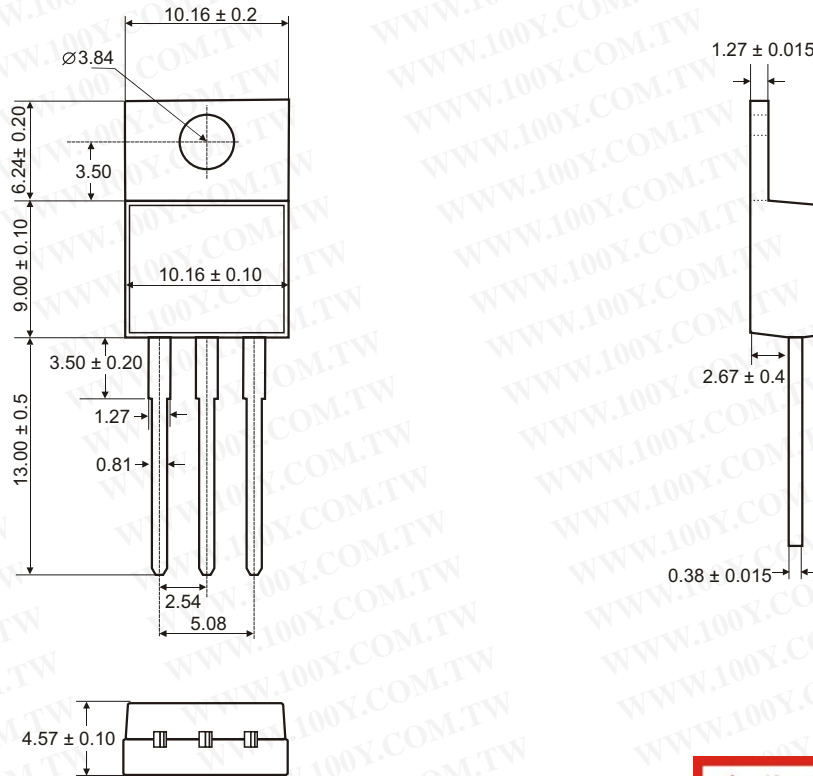
Parameter	Symbol	Value	Unit
Maximum instantaneous forward voltage per leg (Note 1)	$I_F = 20\text{A}, T_C = 25^\circ\text{C}$ $I_F = 20\text{A}, T_C = 125^\circ\text{C}$	$V_F$ 0.80 0.73	V
Maximum reverse current per leg at working peak reverse voltage (Note 1)	$T_J = 25^\circ\text{C}$ $T_J = 125^\circ\text{C}$	$I_R$ 10 10	$\mu\text{A}$ mA

Note 1: Pulse Test: Pulse Width= 300 $\mu\text{s}$ , Duty Cycle  $\leq 2.0\%$

勝特力材料 886-3-5753170  
 勝特力电子(上海) 86-21-34970699  
 勝特力电子(深圳) 86-755-83298787  
[Http://www.100y.com.tw](http://www.100y.com.tw)

## HIGH VOLTAGE POWER SCHOTTKY RECTIFIER

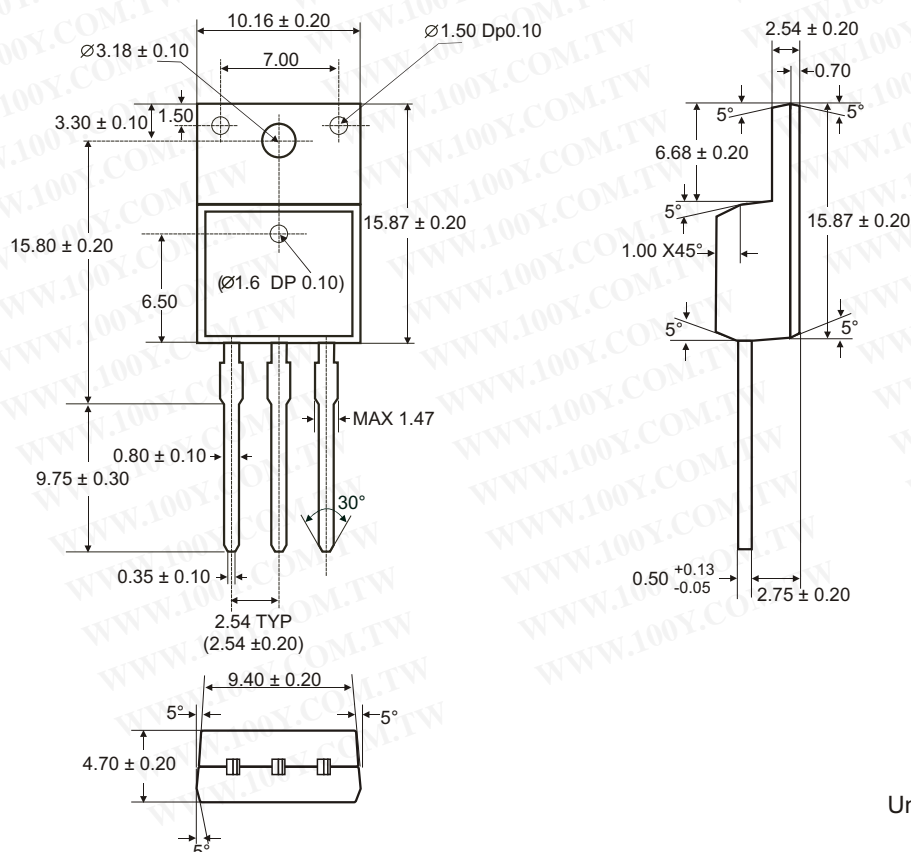
### ◆ TO-220AB PACKAGE OUTLINE DIMENSIONS



Unit: mm

勝特力材料 886-3-5753170  
 勝特力电子(上海) 86-21-34970699  
 勝特力电子(深圳) 86-755-83298787  
[Http://www.100y.com.tw](http://www.100y.com.tw)

### ◆ TO-220FPAB PACKAGE OUTLINE DIMENSIONS

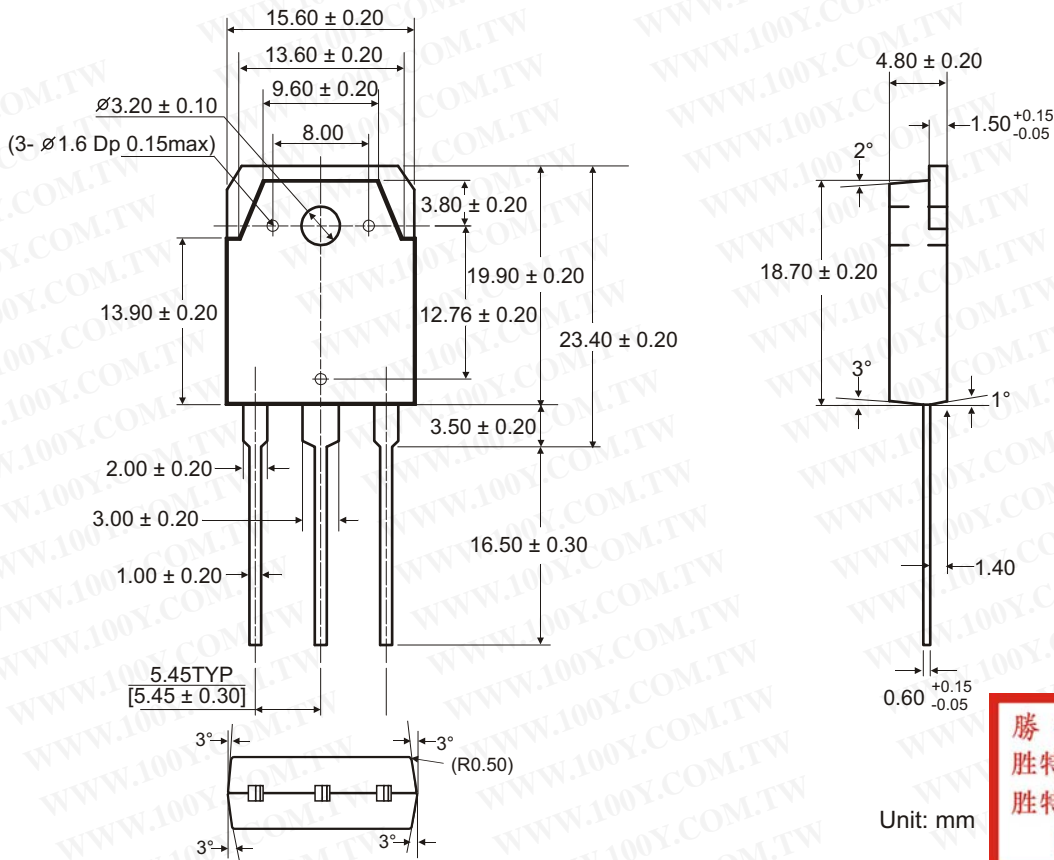


Unit: mm



## HIGH VOLTAGE POWER SCHOTTKY RECTIFIER

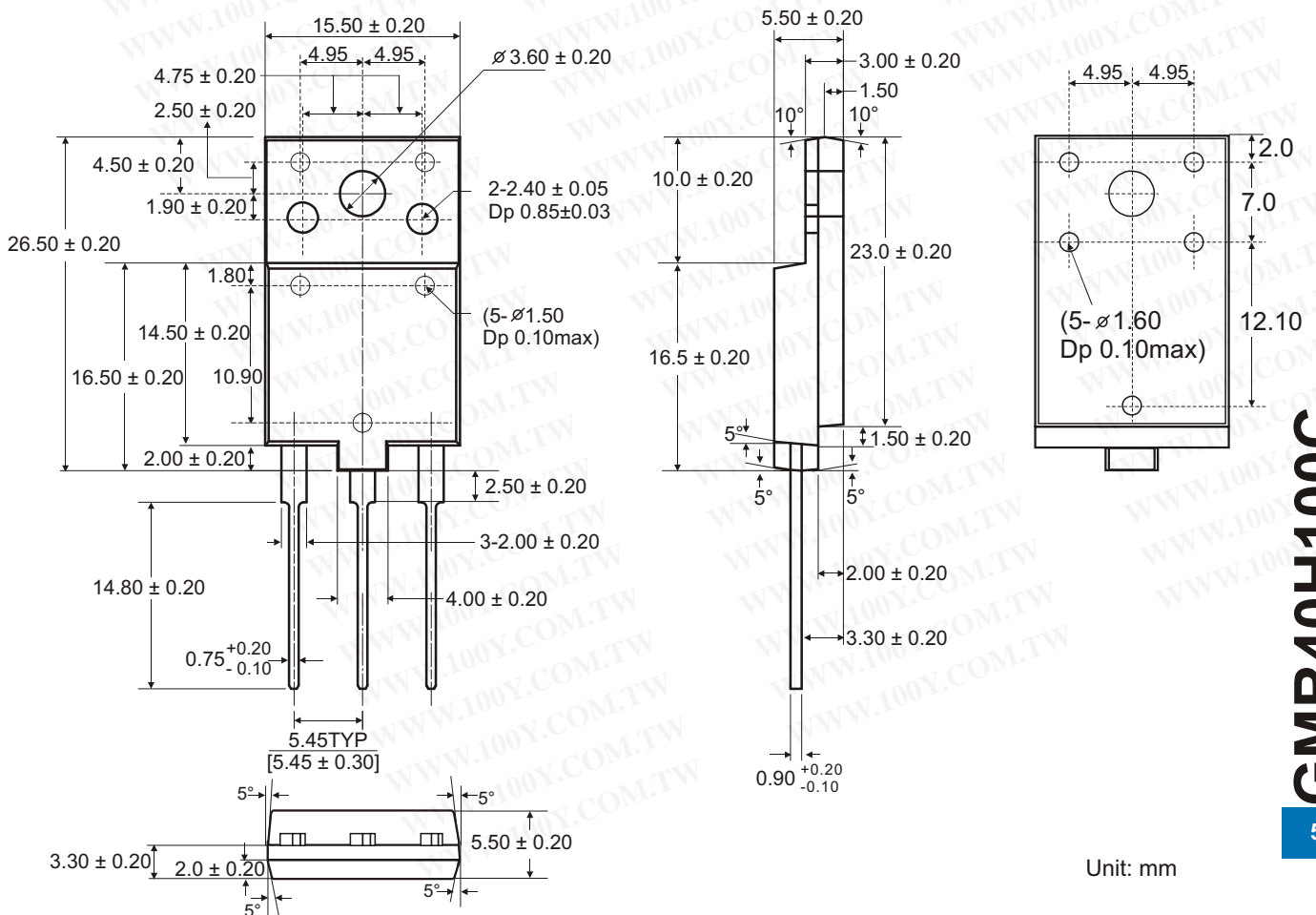
### ◆ TO-3P PACKAGE OUTLINE DIMENSIONS



Unit: mm

勝特力材料 886-3-5753170  
 勝特力电子(上海) 86-21-34970699  
 勝特力电子(深圳) 86-755-83298787  
[Http://www.100y.com.tw](http://www.100y.com.tw)

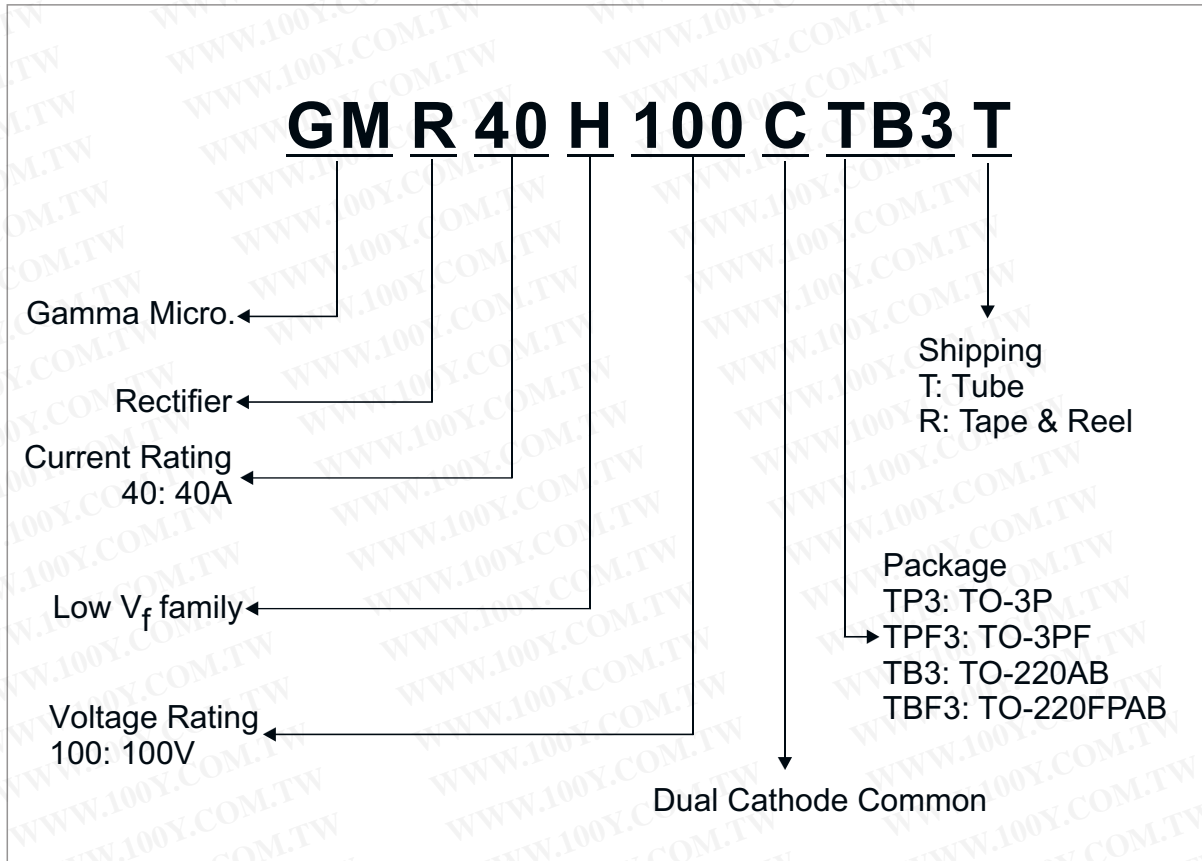
### ◆ TO-3PF PACKAGE OUTLINE DIMENSIONS



Unit: mm

# GMR40H100C

◆ ORDERING NUMBER



勝特力材料 886-3-5753170  
 勝特力电子(上海) 86-21-34970699  
 勝特力电子(深圳) 86-755-83298787  
[Http://www.100y.com.tw](http://www.100y.com.tw)