



# KBPC6005 thru KBPC610

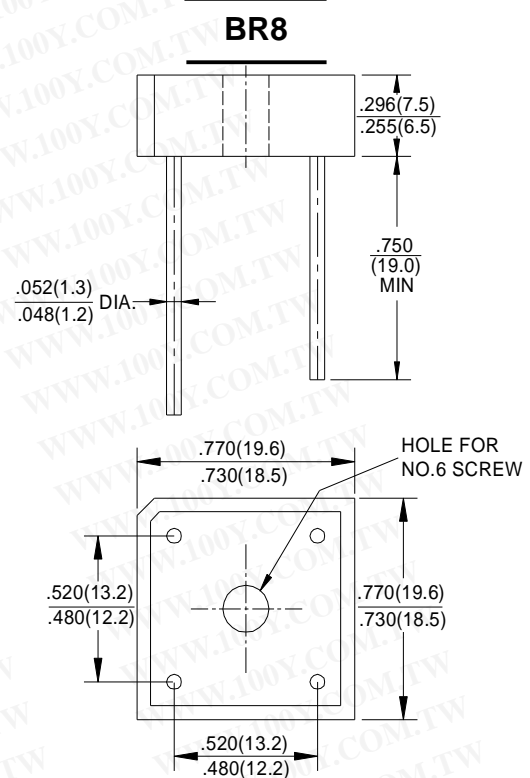
## GLASS PASSIVATED BRIDGE RECTIFIERS

REVERSE VOLTAGE - 50 to 1000Volts  
FORWARD CURRENT - 10.0 Amperes

### FEATURES

- Surge overload rating -200 amperes peak
- Low forward voltage drop
- Small size; simple installation
- Silver plated copper leads
- Mounting position: Any

勝特力材料 886-3-5753170  
 勝特力电子(上海) 86-21-34970699  
 勝特力电子(深圳) 86-755-83298787  
[Http://www.100y.com.tw](http://www.100y.com.tw)



Polarity shown on side of case, Positive lead by beveled corner.  
Dimensions in inches and (millimeters)

## MAXIMUM RATINGS AND ELECTRICAL CHARACTERISTICS

Rating at 25°C ambient temperature unless otherwise specified.

Single phase, half wave ,60Hz, resistive or inductive load.

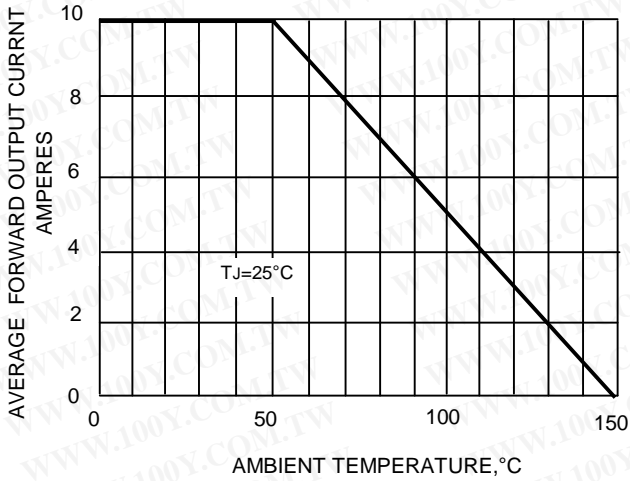
For capacitive load, derate current by 20%

| CHARACTERISTICS   | SYMBOL            | KBPC 6005   | KBPC 601 | KBPC 602 | KBPC 604 | KBPC 606 | KBPC 608 | KBPC 610 | UNIT |
|---|-------------------|-------------|----------|----------|----------|----------|----------|----------|------|
| Maximum Recurrent Peak Reverse Voltage  | V <sub>RRM</sub>  | 50          | 100      | 200      | 400      | 600      | 800      | 1000     | v    |
| Maximum RMS Bridge Input Voltage  | V <sub>RMS</sub>  | 35          | 70       | 140      | 280      | 420      | 560      | 700      | v    |
| Maximum Average Forward Rectified Output Current at T <sub>A</sub> =50°C              | I <sub>(AV)</sub> | 10.0        |          |          |          |          |          |          | A    |
| Peak Forward Surge Current 8.3ms Single Half Sine-Wave Super Imposed on Rated Load    | I <sub>FSM</sub>  | 175         |          |          |          |          |          |          | A    |
| Maximum Forward Voltage Drop Per Bridge Element at 5.0A Peak                          | V <sub>F</sub>    | 1.1         |          |          |          |          |          |          | V    |
| Maximum Reverse Current at Rated DC Blocking Voltage Per Element T <sub>J</sub> =25°C | I <sub>R</sub>    | 10.0        |          |          |          |          |          |          | μA   |
|   |                   | 1.0         |          |          |          |          |          |          | mA   |
| Operating Temperature Range   | T <sub>J</sub>    | -55 to +150 |          |          |          |          |          |          | °C   |
| Storage Temperature Range   | T <sub>STG</sub>  | -55 to +150 |          |          |          |          |          |          | °C   |

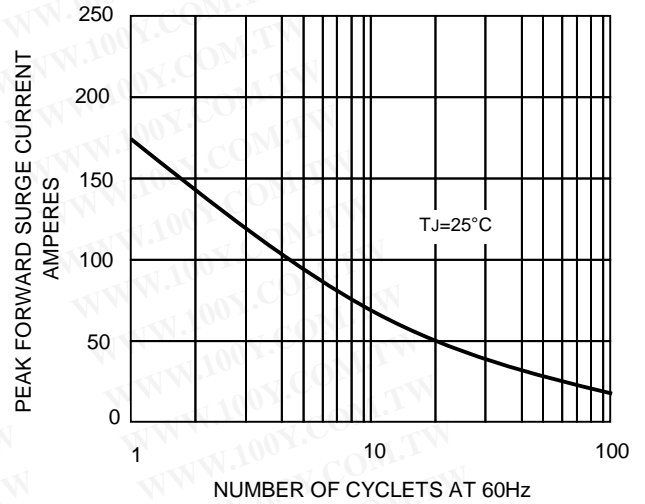
Notes:1.Unit mounted on metal chassis

2. Unit mounted on P.C. board

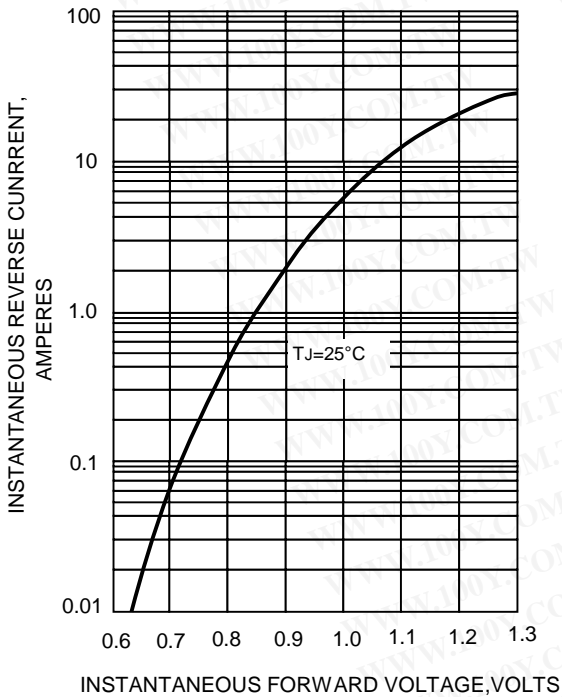
**FIG.1-DERATING CURVE**  
**OUTPUT RECTIFIED CURRENT**



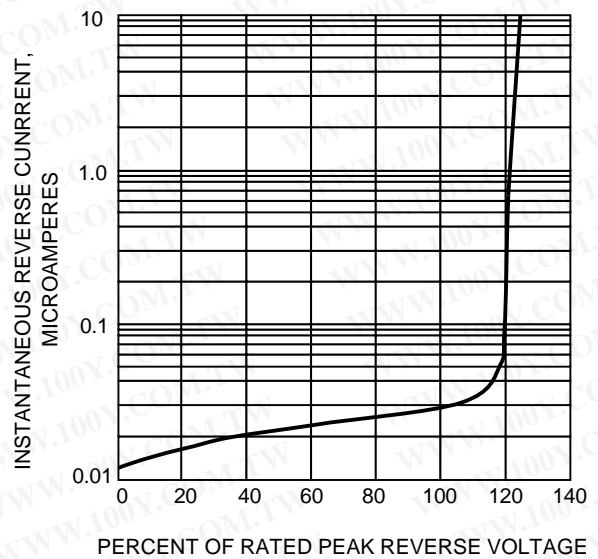
**FIG.2-MAXIMUM FORWARD SURGE CURRENT**



**FIG.3-TYPICAL FORWARD**  
**CHARACTERISTICS**



**FIG.4-TYPICAL REVERSE**  
**CHARACTERISTICS**



**勝特力材料 886-3-5753170**  
**勝特力电子(上海) 86-21-34970699**  
**勝特力电子(深圳) 86-755-83298787**  
[Http://www.100y.com.tw](http://www.100y.com.tw)