



Micro Commercial Components

Micro Commercial Components
 20736 Marilla Street Chatsworth
 CA 91311
 Phone: (818) 701-4933
 Fax: (818) 701-4939

1N4148W

Features

- Fast switching speed
- Surface Mount Package Ideally Suited for Automatic Insertion
- For general purpose switching applications
- High conductance
- Lead Free Finish/RoHS Compliant("P" Suffix designates RoHS Compliant. See ordering information)

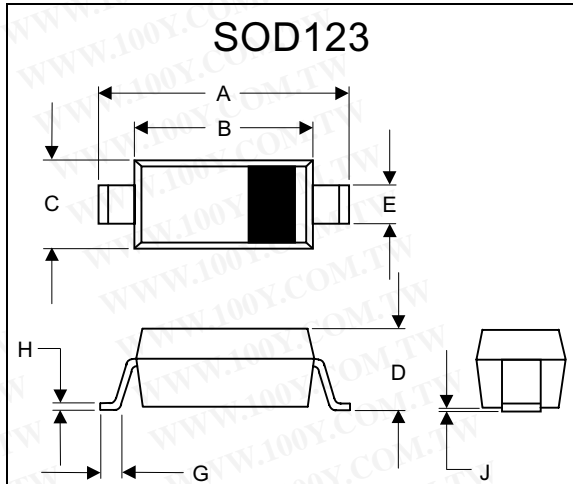
High Speed Switching Diode 400mW

Mechanical Data

- Case Material: Molded Plastic. UL Flammability Classification Rating 94V-0 and MSL Rating 1
- Terminals: Solderable per MIL-STD-202, Method 208
- Polarity: Indicated by Cathode Band
- Weight: 0.01 grams (approx.)
- Marking Code: T4,A2

Absolute maximum Ratings

Symbol	Parameter	Rating	Unit
V_{RM}	Peak Repetitive Reverse Voltage	100	V
V_R	DC Reverse Blocking Voltage	100	V
$V_{R(RMS)}$	RMS Reverse Voltage	71	V
I_{FM}	Peak Forward Current	300	mA
I_O	Average Rectified Output Current	150	mA
I_{FSM}	Forward Surge Current @1us	2	A
	@1s	1	
P_D	Power Dissipation	400	mW
$R_{\theta ja}$	Thermal Resistance Junction to Ambient	312.5	$^{\circ}C/W$
T_J	Operating Junction Temperature	-65 to +150	$^{\circ}C$
T_{STG}	Storage Temperature	-65 to +150	$^{\circ}C$

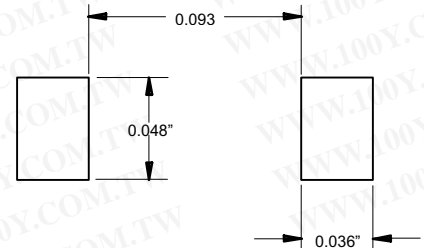


DIM	INCHES		MM		NOTE
	MIN	MAX	MIN	MAX	
A	.140	.152	3.55	3.85	
B	.100	.112	2.55	2.85	
C	.055	.071	1.40	1.80	
D	----	.053	----	1.35	
E	.012	.031	0.30	.78	
G	.006	----	0.15	----	
H	----	.01	----	.25	
J	----	.006	----	.15	

Electrical Characteristics @ 25°C Unless Otherwise Specified

Symbol	Parameter	Min	Max	Units
V_F	Forward Voltage Drop ($I_F=1mA_{dc}$)	---	0.715	Vdc
	($I_F=10mA_{dc}$)	---	0.855	
	($I_F=50mA_{dc}$)	---	1.00	
	($I_F=150mA_{dc}$)	---	1.25	
I_R	Reverse Current ($V_R=75V_{dc}, T=25^{\circ}C$)	---	1.0	μA_{dc}
	($V_R=20V_{dc}, T=25^{\circ}C$)	---	0.025	
	($V_R=75V_{dc}, T=150^{\circ}C$)	---	50	
C_T	Total Capacitance ($V_R=0V_{dc}, f=1.0MHz$)	---	2.0	pF
T_{rr}	Reverse Recovery Time ($I_{rr}=0.1I_R, I_F=I_R, R_L=100\Omega$)	---	4.0	ns

SUGGESTED SOLDER PAD LAYOUT

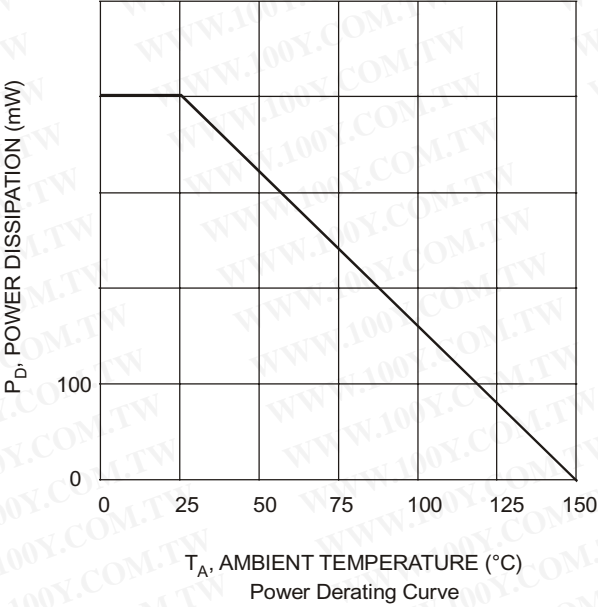


1N4148W

勝特力材料 886-3-5753170
勝特力电子(上海) 86-21-54151736
勝特力电子(深圳) 86-755-83298787
[Http://www.100y.com.tw](http://www.100y.com.tw)



Micro Commercial Components



T_A , AMBIENT TEMPERATURE ($^{\circ}C$)
Power Derating Curve

勝特力材料 886-3-5753170
勝特力电子(上海) 86-21-54151736
勝特力电子(深圳) 86-755-83298787
Http://www.100y.com.tw



Micro Commercial Components

Ordering Information

Device	Packing
(Part Number)-TP	Tape&Reel;3Kpcs/Reel

IMPORTANT NOTICE

Micro Commercial Components Corp. reserves the right to make changes without further notice to any product herein to make corrections, modifications, enhancements, improvements, or other changes. *Micro Commercial Components Corp.* does not assume any liability arising out of the application or use of any product described herein; neither does it convey any license under its patent rights, nor the rights of others. The user of products in such applications shall assume all risks of such use and will agree to hold *Micro Commercial Components Corp.* and all the companies whose products are represented on our website, harmless against all damages.

APPLICATIONS DISCLAIMER

Products offer by *Micro Commercial Components Corp.* are not intended for use in Medical, Aerospace or Military Applications.