



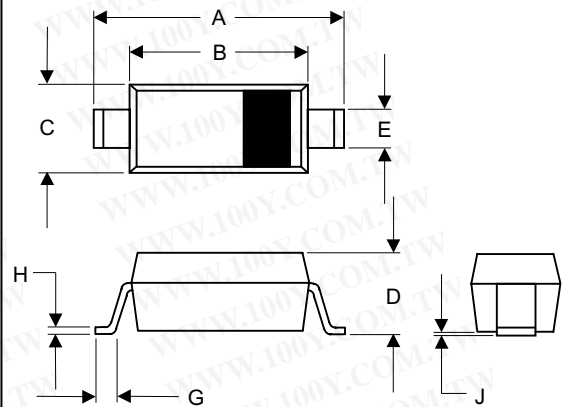
Micro Commercial Components

Micro Commercial Components
 20736 Marilla Street Chatsworth
 CA 91311
 Phone: (818) 701-4933
 Fax: (818) 701-4939

1N4148WX

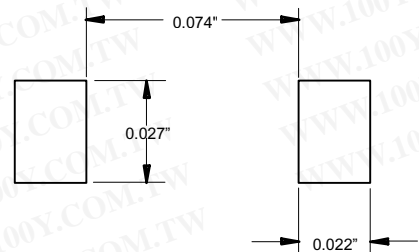
High Speed Switching Diode 500mW

SOD323



| DIM | DIMENSIONS | | | | NOTE |
|-----|------------|------|-------|------|------|
| | INCHES | | MM | | |
| | MIN | MAX | MIN | MAX | |
| A | .090 | .107 | 2.30 | 2.70 | |
| B | .063 | .071 | 1.60 | 1.80 | |
| C | .045 | .053 | 1.15 | 1.35 | |
| D | .031 | .045 | 0.80 | 1.15 | |
| E | .010 | .016 | 0.25 | 0.40 | |
| G | .004 | .018 | 0.10 | 0.45 | |
| H | .004 | .010 | 0.10 | 0.25 | |
| J | ----- | .006 | ----- | 0.15 | |

SUGGESTED SOLDER PAD LAYOUT



Features

- Lead Free Finish/RoHS Compliant ("P" Suffix designates RoHS Compliant. See ordering information)
- Surface Mount Package Ideally Suited for Automatic Insertion
- For General Purpose Switching Applications
- Fast Switching Speed

Mechanical Data

- Marking : T4
- Terminals: Solderable per MIL-STD-202, Method 208
- Polarity: Indicated by Cathode Band
- Weight: 0.008 grams (approx.)
- Moisture Sensitivity: Level 1 per J-STD-020C
- Case Material: Molded Plastic. UL Flammability Classification Rating 94V-0 and MSL Rating 1

Maximum Ratings @ 25°C Unless Otherwise Specified

| | | | |
|-------------------------------------|----------------|--------------------|-----|
| Reverse Voltage | V_R | 100 | V |
| Peak Reverse Voltage | V_{RM} | 75 | V |
| Average Rectified Current | $I_{F(AV)}$ | 300 ⁽¹⁾ | mA |
| Peak Forward Surge Current $t < 1S$ | I_{FSM} | 2.0 | A |
| Power Dissipation | P_D | 500 | mW |
| Thermal Resistance | R_{JA} | 315 | K/W |
| Operation/Storage Temp. Range | T_J, T_{STG} | -55 to +150 | °C |

Electrical Characteristics @ 25°C Unless Otherwise Specified

| | | | |
|---|----------|-----------------------|---|
| Maximum Instantaneous Forward Voltage | V_F | 1.0V | $I_{FM} = 50mA;$ $T_J = 25°C$ (Note 1) |
| Maximum DC Reverse Current At Rated DC Blocking Voltage | I_R | 25nA 50µA 5.0uA | $V_R = 20Volts$ $T_J = 25°C$ $T_J = 150°C$ $V_R = 75V, T_J = 25°C$ |
| Typical Junction Capacitance | C_J | 4pF | $V_F = V_R = 0V$ |
| Maximum Reverse Recovery Time | T_{rr} | 4nS | $I_F = 50mA$ $I_{rr} = 0.1I_R$ $R_L = 100Ω$ |

Notes:

1. Valid provided that terminals are kept at ambient temperature

1N4148WX

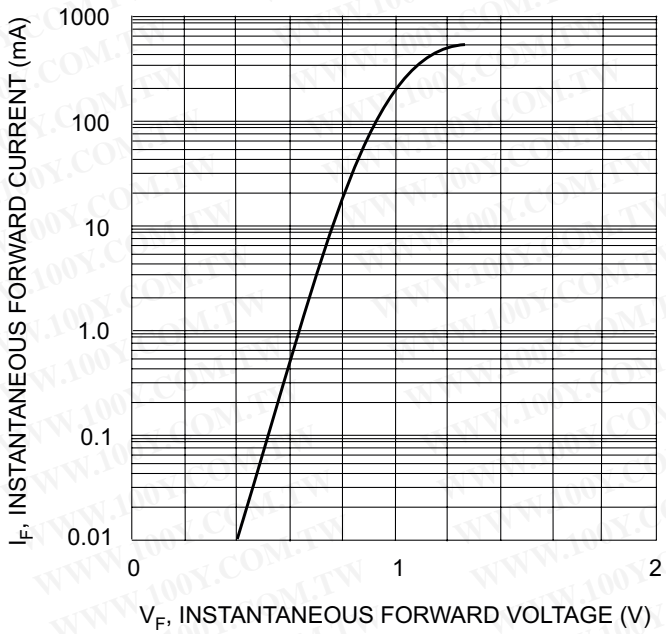


Fig. 1 Forward Characteristics

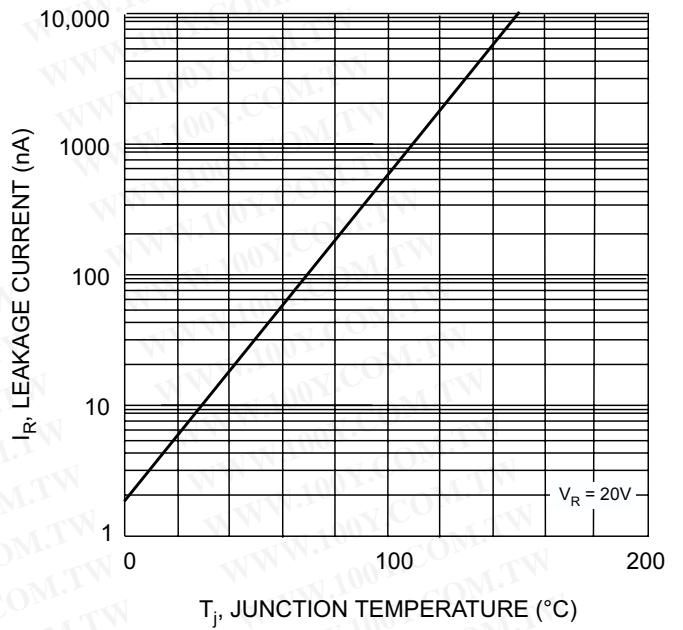


Fig. 2 Leakage Current vs Junction Temperature



Micro Commercial Components

勝特力材料 886-3-5753170
勝特力电子(上海) 86-21-54151736
勝特力电子(深圳) 86-755-83298787
[Http://www.100y.com.tw](http://www.100y.com.tw)

Ordering Information

| Device | Packing |
|------------------|----------------------|
| (Part Number)-TP | Tape&Reel;3Kpcs/Reel |

IMPORTANT NOTICE

Micro Commercial Components Corp. reserves the right to make changes without further notice to any product herein to make corrections, modifications, enhancements, improvements, or other changes. *Micro Commercial Components Corp.* does not assume any liability arising out of the application or use of any product described herein; neither does it convey any license under its patent rights, nor the rights of others. The user of products in such applications shall assume all risks of such use and will agree to hold *Micro Commercial Components Corp.* and all the companies whose products are represented on our website, harmless against all damages.

APPLICATIONS DISCLAIMER

Products offer by *Micro Commercial Components Corp.* are not intended for use in Medical, Aerospace or Military Applications.