



Micro Commercial Components

Micro Commercial Components
 20736 Marilla Street Chatsworth
 CA 91311
 Phone: (818) 701-4933
 Fax: (818) 701-4939

MMST2222A

NPN Plastic-Encapsulate Transistors

Features

- Power Dissipation: 0.2W
- Ultra-small surface mount package
- Marking: K3P
- Case Material: Molded Plastic. UL Flammability Classification Rating 94-0 and MSL Rating 1

Maximum Ratings

Symbol	Rating	Rating	Unit
V_{CEO}	Collector-Emitter Voltage	40	V
V_{CBO}	Collector-Base Voltage	75	V
V_{EBO}	Emitter-Base Voltage	6.0	V
I_{CBO}	Collector Cut-off Current ($V_{CB}=70V, I_E=0$)	100	mA
I_{CEO}	Collector Cut-off Current ($V_{CE}=35V, I_B=0$)	100	mA
I_{EBO}	Emitter Cut-off Current ($V_{EB}=3V, I_C=0$)	100	mA
P_C	Power dissipation ⁽¹⁾	200	mW
T_J	Junction Temperature	-55 to +150	°C
T_{STG}	Storage Temperature	-55 to +150	°C

Electrical Characteristics @ 25°C Unless Otherwise Specified

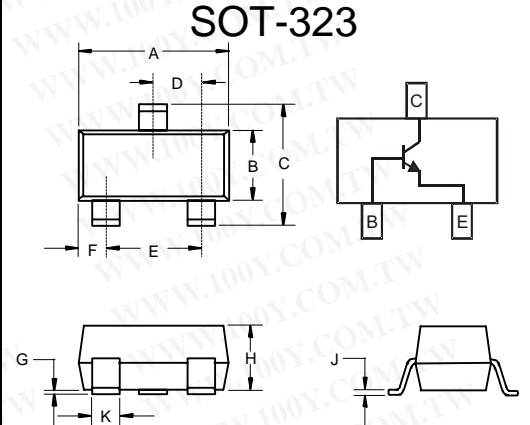
Symbol	Parameter	Min	Max	Units
--------	-----------	-----	-----	-------

OFF CHARACTERISTICS ⁽²⁾

$V_{(BR)CEO}$	Collector-Emitter Breakdown Voltage ($I_C=1.0mA, I_B=0$)	40	---	Vdc
$V_{(BR)CBO}$	Collector-Base Breakdown Voltage ($I_C=10mA, I_E=0$)	75	---	Vdc
$V_{(BR)EBO}$	Collector-Emitter Breakdown Voltage ($I_E=10uA, I_C=0$)	6.0	---	Vdc

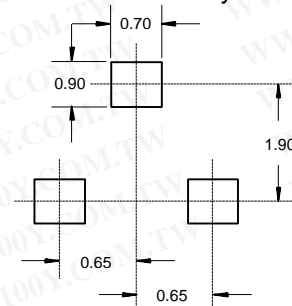
ON CHARACTERISTICS ⁽²⁾

h_{FE}	DC Current Gain ($I_C=150mA, V_{CE}=10Vdc$) ($I_C=1.0mA, V_{CE}=10Vdc$)	100 50	300 ---	---
$V_{CE(sat)}$	Collector-Emitter Saturation Voltage ($I_C=500mA, I_B=50mA$)	---	0.6	Vdc
$V_{BE(sat)}$	Base-Emitter Saturation Voltage ($I_C=500mA, I_B=50mA$)	---	1.2	Vdc
f_T	Transition Frequency ($V_{CE}=20V, I_C=20mA, f=100MHz$)	300	---	Hz
C_{ob}	Output Capacitance ($V_{CB}=10V, I_E=0mA, f=1MHz$)	---	8	pF
t_d	Delay Time ($V_{CC}=30V, I_{CC}=150mA, V_{BE(off)}=0.5V, I_{B1}=15mA$)	---	10	ns
t_r	Rise Time ($V_{CC}=30V, I_{CC}=150mA, V_{BE(off)}=0.5V, I_{B1}=15mA$)	---	25	ns
t_s	Storage Time ($V_{CC}=30V, I_{CC}=150mA, I_{B1}=I_{B2}=15mA$)	---	225	ns
t_f	Fall Time ($V_{CC}=30V, I_{CC}=150mA, I_{B1}=I_{B2}=15mA$)	---	60	ns



DIM	DIMENSIONS				NOTE
	INCHES		MM		
A	.071	.087	1.80	2.20	
B	.045	.053	1.15	1.35	
C	.079	.087	2.00	2.20	
D	.026 Nominal		0.65Nominal		
E	.047	.055	1.20	1.40	
F	.012	.016	.30	.40	
G	.000	.004	.000	.100	
H	.035	.039	.90	1.00	
J	.004	.010	.100	.250	
K	.012	.016	.30	.40	

Suggested Solder Pad Layout





Micro Commercial Components

勝特力材料 886-3-5753170
勝特力电子(上海) 86-21-54151736
勝特力电子(深圳) 86-755-83298787
[Http://www.100y.com.tw](http://www.100y.com.tw)

Ordering Information

Device	Packing
(Part Number)-TP	Tape&Reel;3Kpcs/Reel

IMPORTANT NOTICE

Micro Commercial Components Corp. reserves the right to make changes without further notice to any product herein to make corrections, modifications, enhancements, improvements, or other changes. *Micro Commercial Components Corp.* does not assume any liability arising out of the application or use of any product described herein; neither does it convey any license under its patent rights, nor the rights of others. The user of products in such applications shall assume all risks of such use and will agree to hold *Micro Commercial Components Corp.* and all the companies whose products are represented on our website, harmless against all damages.

APPLICATIONS DISCLAIMER

Products offer by *Micro Commercial Components Corp.* are not intended for use in Medical, Aerospace or Military Applications.