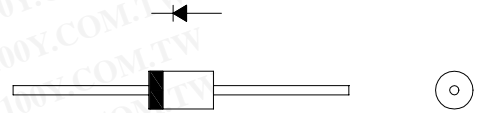


FRD Type: 31DF4

FEATURES

- * Ultra – Fast Recovery
- * Low Forward Voltage Drop
- * Low Power Loss, High Efficiency
- * High Surge Capability
- * 200 Volts thru 600 Volts Types Available

OUTLINE DRAWING



Maximum Ratings

Apporox Net Weight:1.19g

Rating	Symbol	31DF4			Unit
Repetitive Peak Reverse Voltage	V_{RRM}	400			V
Non-repetitive Peak Reverse Voltage	V_{RSM}	440			V
Average Rectified Output Current	I_o	1.5	$T_a=29^{\circ}C$ *1	50Hz Half Sine Wave Resistive Load	A
		3.0	$T_a=25^{\circ}C$ *2		
RMS Forward Current	$I_{F(RMS)}$	4.71			A
Surge Forward Current	I_{FSM}	60	50Hz Half Sine Wave, 1cycle, Non-repetitive		A
Operating JunctionTemperature Range	T_{jw}	- 40 to + 150			$^{\circ}C$
Storage Temperature Range	T_{stg}	- 40 to + 150			$^{\circ}C$

Electrical/Thermal • Characteristics

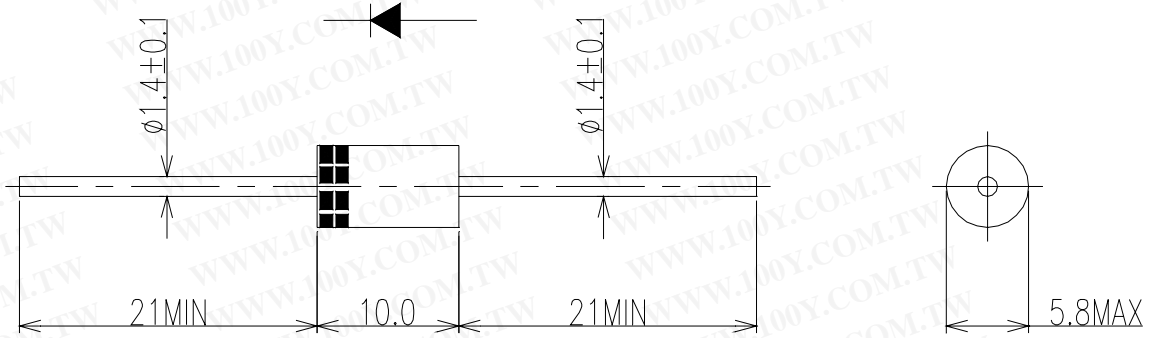
Characteristics	Symbol	Conditions	Min.	Typ.	Max.	Unit
Peak Reverse Current	I_{RM}	$T_j = 25^{\circ}C, V_{RM} = V_{RRM}$	-	-	20	μA
Peak Forward Voltage	V_{FM}	$T_j = 25^{\circ}C, I_{FM} = 3 A$	-	-	1.25	V
Reverse Recovery Time	t_{rr}	$T_a = 25^{\circ}C, I_{FM} = 3 A -di/dt = 50A/\mu s$			30	ns
Thermal Resistance (Junction to Ambient)	$R_{th(j-a)}$	*1:Without Fin.	-	-	80	$^{\circ}C/W$
		*2:With Fin			34	

*1: Without Fin or P.C. Board

*2: With Fin:20x20x1t(mm):Copper plates, L=5mm, Both Sides

勝特力材料 886-3-5753170
 勝特力电子(上海) 86-21-34970699
 勝特力电子(深圳) 86-755-83298787
[Http://www.100y.com.tw](http://www.100y.com.tw)

31DF4 OUTLINE DRAWING (Dimensions in mm)



勝特力材料 886-3-5753170
勝特力电子(上海) 86-21-34970699
勝特力电子(深圳) 86-755-83298787
[Http://www.100y.com.tw](http://www.100y.com.tw)