

DIODE MODULE 100A/800V

PT100S8

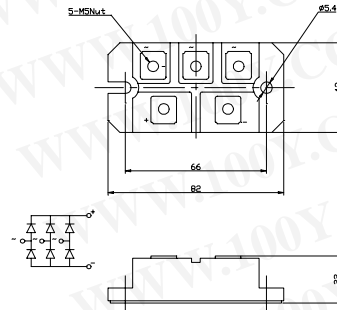
FEATURES

- * Isolated Base
- * 3 Phase Bridge Circuit
- * Designed Power Circuit Board
- * High Surge Capability
- * UL Recognized, File No. E187184

TYPICAL APPLICATIONS

- * Rectified For General Use

OUTLINE DRAWING



Maximum Ratings

Approx Net Weight:180g

Parameter	Symbol	Type / Grade	Unit
		PT100S8	
Repetitive Peak Reverse Voltage *1	V _{RRM}	800	V
Non Repetitive Peak Reverse Voltage *1	V _{RSM}	1000	

Parameter		Conditions	Max Rated Value	Unit		
Average Rectified Output Current	I _{O(AV)}	3-Phase Full Wave Rectified T _c =T _t (Terminal)=94°C	100	A		
Surge Forward Current *1	I _{FSM}	50 Hz Half Sine Wave, 1Pulse Non-repetitive	1000	A		
I Squared t *1	I ² t	2msec to 10msec	5000	A ² s		
Operating Junction Temperature Range	T _{jw}		-40 to +150	°C		
Storage Temperature Range	T _{stg}		-40 to +125	°C		
Isolation Voltage	Viso	Base Plate to Terminals, AC1min	2500	V		
Mounting torque	Case mounting	F _{tor}	Greased	M5 Screw	2.4 to 2.8	N.m
	Terminals		M5			

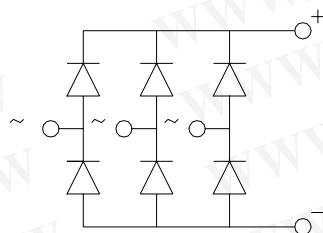
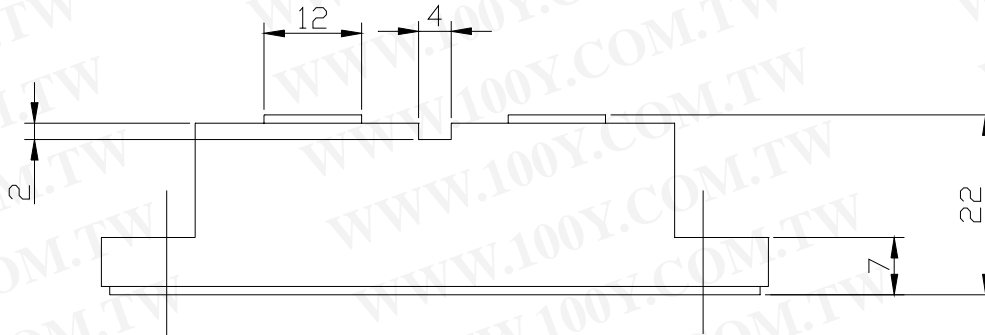
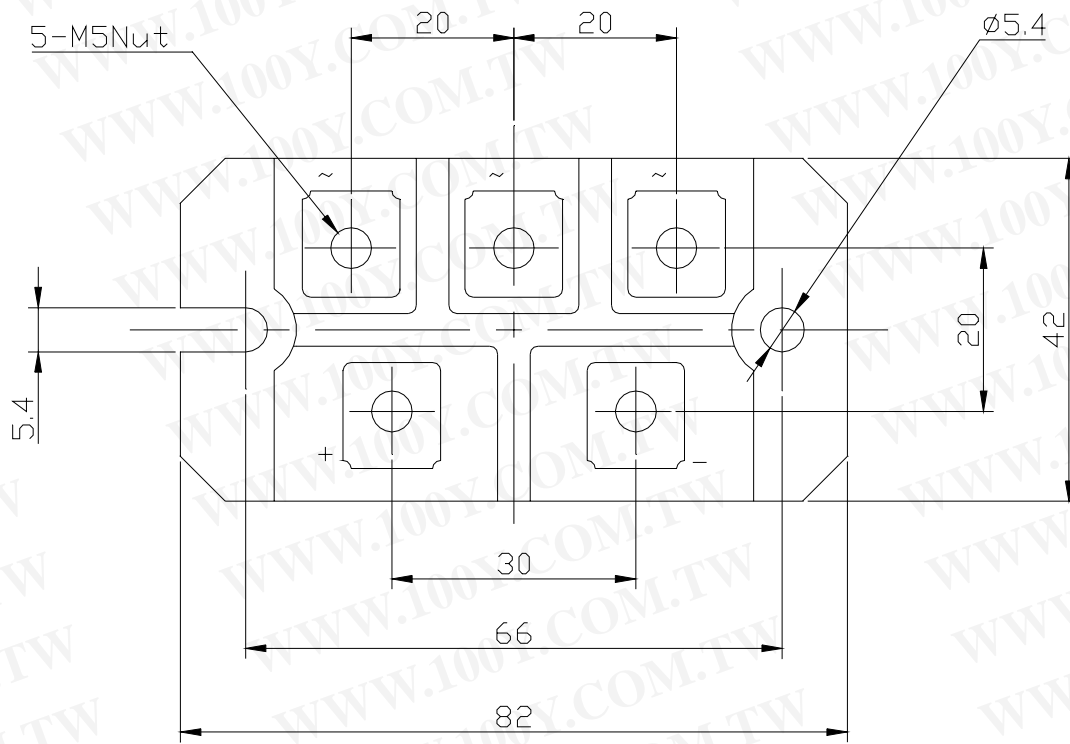
Electrical • Thermal Characteristics

Characteristics	Symbol	Test Conditions	Max.	Unit
Peak Reverse Current *1	I _{RM}	V _{RM} = V _{RRM} , T _j = 150°C	10	mA
Peak Forward Voltage *1	V _{FM}	I _{FM} = 100A, T _j =25°C	1.28	V
Thermal Resistance	R _{th(j-c)}	Junction to Case (Total)	0.24	°C/W
	R _{th(c-f)}	Base Plate to Heat Sink with Thermal Compound (Total)	0.06	

*1: Value Per 1Arm

勝特力材料 886-3-5753170
 勝特力电子(上海) 86-21-34970699
 勝特力电子(深圳) 86-755-83298787
[Http://www.100y.com.tw](http://www.100y.com.tw)

PT100S8 OUTLINE DRAWING (Dimensions in mm)



勝特力材料 886-3-5753170
勝特力电子(上海) 86-21-34970699
勝特力电子(深圳) 86-755-83298787
[Http://www.100y.com.tw](http://www.100y.com.tw)

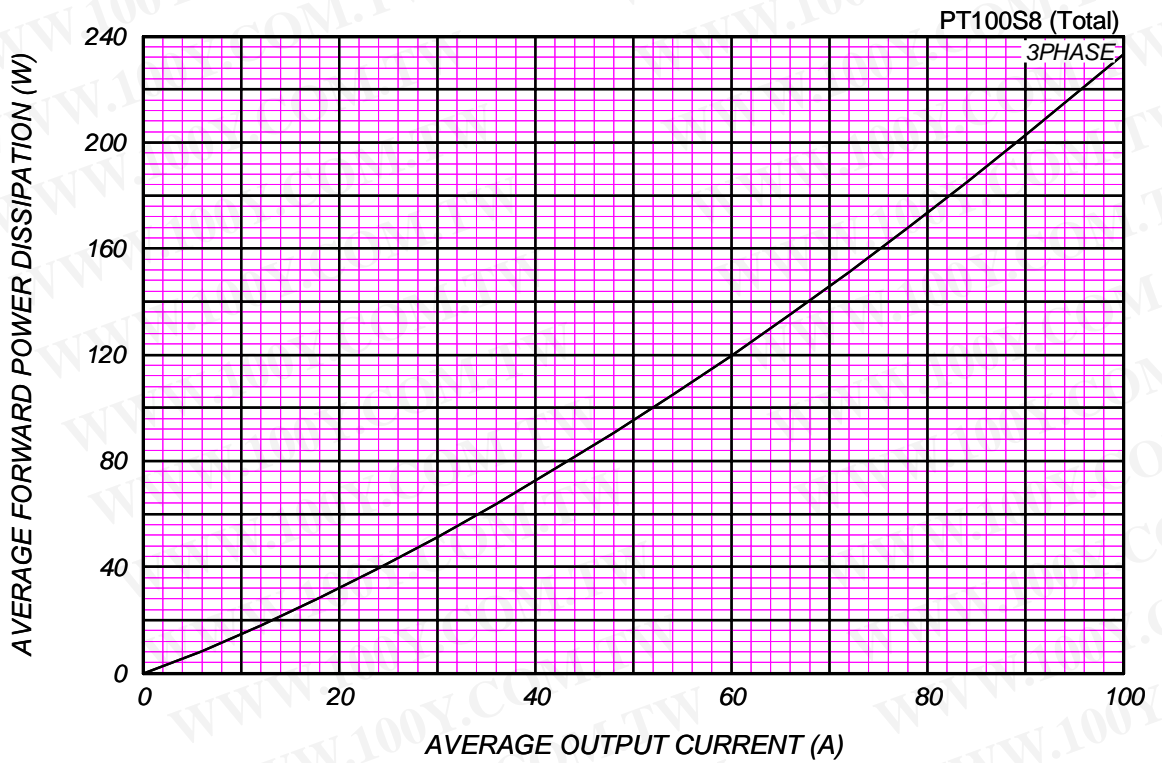
勝特力材料 886-3-5753170
勝特力电子(上海) 86-21-34970699
勝特力电子(深圳) 86-755-83298787
[Http://www.100y.com.tw](http://www.100y.com.tw)

FORWARD CURRENT VS. VOLTAGE



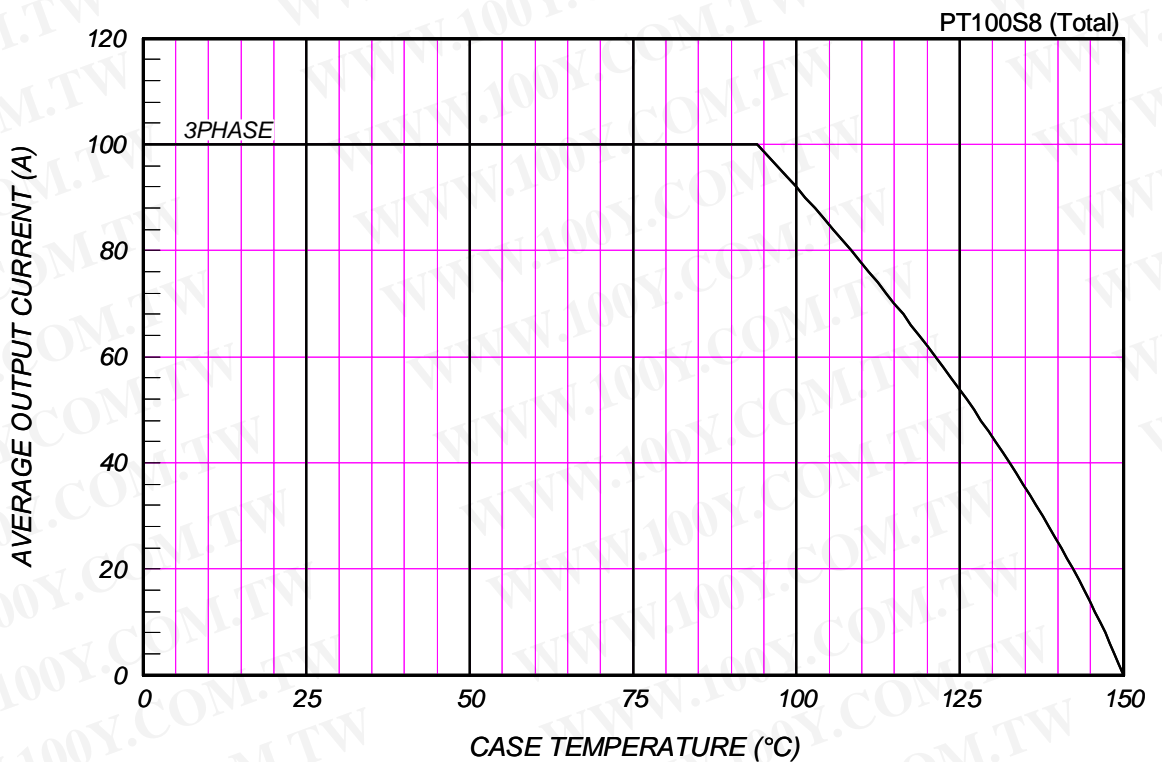
勝特力材料 886-3-5753170
勝特力电子(上海) 86-21-34970699
勝特力电子(深圳) 86-755-83298787
[Http://www.100y.com.tw](http://www.100y.com.tw)

AVERAGE FORWARD POWER DISSIPATION



AVERAGE OUTPUT CURRENT VS. CASE TEMPERATURE

3-Phase Full Wave, Resistive or Inductive Load



勝特力材料 886-3-5753170
勝特力电子(上海) 86-21-34970699
勝特力电子(深圳) 86-755-83298787
[Http://www.100y.com.tw](http://www.100y.com.tw)

SURGE CURRENT RATINGS

f=50Hz,Harf Sine Wave,Non-Repetitive,Tj=150°C

PT100S8

