

# DIODE MODULE 75A/800V

# PT76S8

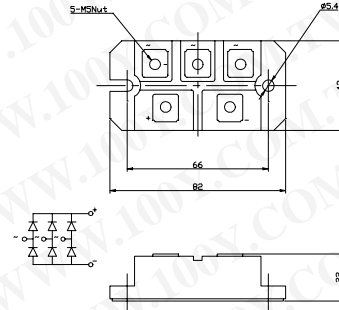
## FEATURES

- \* Isolated Base
- \* 3 Phase Bridge Circuit
- \* Designed Power Circuit Board
- \* High Surge Capability
- \* UL Recognized, File No. E187184

## TYPICAL APPLICATIONS

- \* Rectified For General Use

## OUTLINE DRAWING



## Maximum Ratings

Approx Net Weight:180g

| Parameter                              | Symbol    | Type / Grade | Unit |
|--|-----------|--------------|------|
|  |           | PT76S8       |      |
| Repetitive Peak Reverse Voltage *1     | $V_{RRM}$ | 800          | V    |
| Non Repetitive Peak Reverse Voltage *1 | $V_{RSM}$ | 1000         |      |

| Parameter                            |               | Conditions  | Max Rated Value | Unit                 |            |     |
|--------------------------------------|---------------|---|-----------------|----------------------|------------|-----|
| Average Rectified Output Current     | $I_{O(AV)}$   | 3-Phase Full Wave Rectified<br>$T_c=T_t(\text{Terminal})=112^\circ\text{C}$ | 75              | A                    |            |     |
| Surge Forward Current *1             | $I_{FSM}$     | 50 Hz Half Sine Wave, 1Pulse<br>Non-repetitive                              | 1000            | A                    |            |     |
| I Squared t *1                       | $I^2t$        | 2msec to 10msec   | 5000            | $\text{A}^2\text{s}$ |            |     |
| Operating Junction Temperature Range | $T_{jw}$      |   | -40 to +150     | $^\circ\text{C}$     |            |     |
| Storage Temperature Range            | $T_{stg}$     |   | -40 to +125     | $^\circ\text{C}$     |            |     |
| Isolation Voltage                    | Viso          | Base Plate to Terminals, AC1min   | 2000            | V                    |            |     |
| Mounting torque                      | Case mounting | Ftor  | Greased         | M5 Screw             | 2.4 to 2.8 | N.m |
|                                      | Terminals     |   | M5              |                      |            |     |

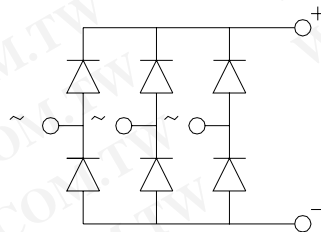
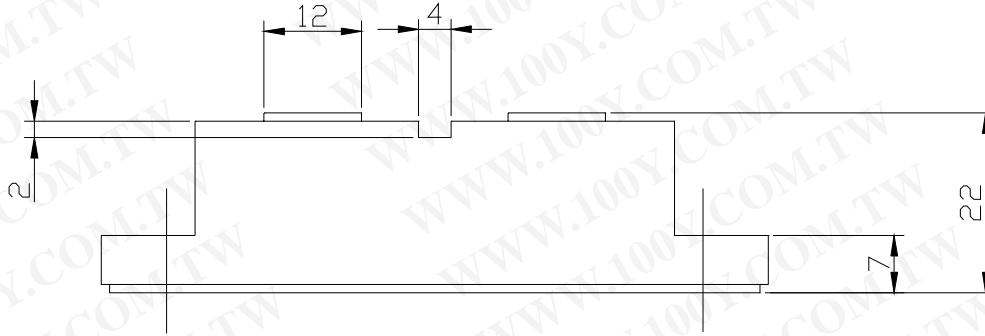
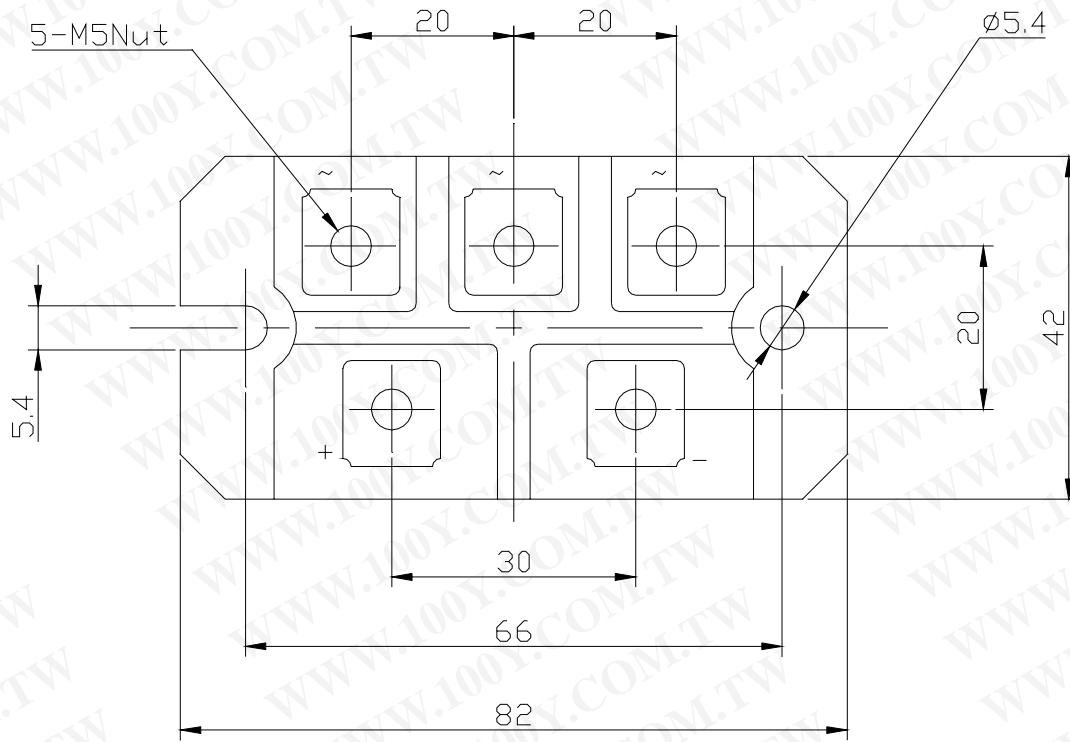
## Electrical • Thermal Characteristics

| Characteristics         | Symbol        | Test Conditions                                       | Max. | Unit               |
|-------------------------|---------------|---|------|--------------------|
| Peak Reverse Current *1 | $I_{RM}$      | $V_{RM}=V_{RRM}, T_j=150^\circ\text{C}$               | 10   | mA                 |
| Peak Forward Voltage *1 | $V_{FM}$      | $I_{FM}=75\text{A}, T_j=25^\circ\text{C}$             | 1.2  | V                  |
| Thermal Resistance      | $R_{th(j-c)}$ | Junction to Case (Total)                              | 0.24 | $^\circ\text{C/W}$ |
|                         | $R_{th(c-f)}$ | Base Plate to Heat Sink with Thermal Compound (Total) | 0.06 |                    |

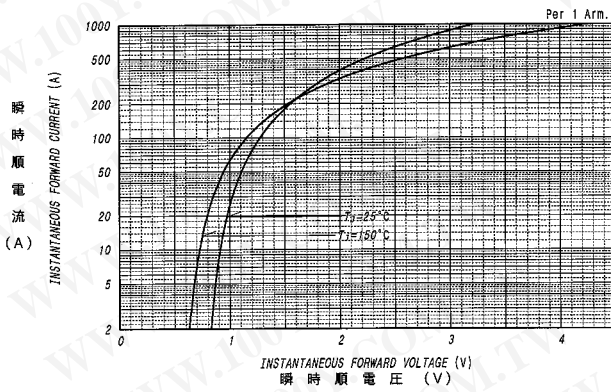
\*1: Value Per 1Arm

勝特力材料 886-3-5753170  
 勝特力电子(上海) 86-21-34970699  
 勝特力电子(深圳) 86-755-83298787  
[Http://www.100y.com.tw](http://www.100y.com.tw)

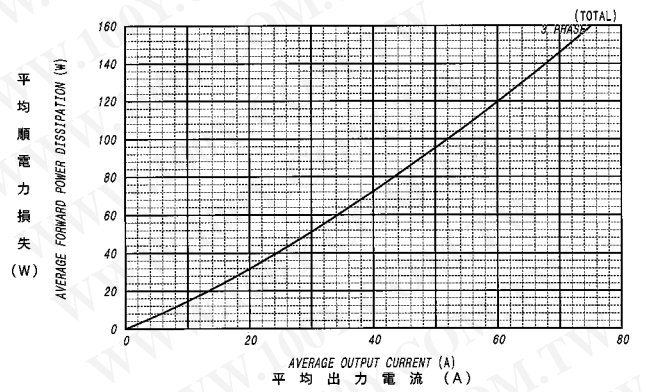
PT76S8 OUTLINE DRAWING (Dimensions in mm)



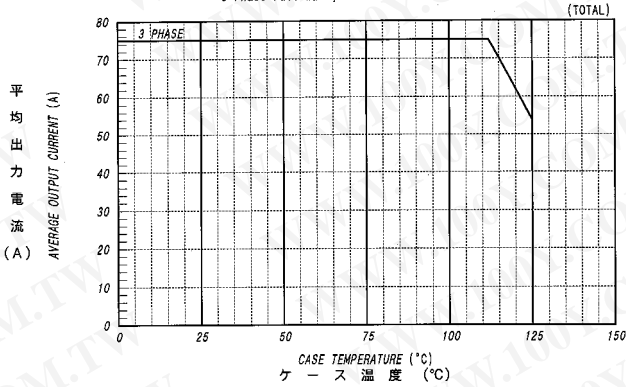
順電圧特性  
FORWARD CURRENT VS. VOLTAGE



平均順電力損失特性  
AVERAGE FORWARD POWER DISSIPATION



平均出力電流 - ケース温度定格  
AVERAGE OUTPUT CURRENT VS. CASE TEMPERATURE  
3-Phase Full Wave, Resistive or Inductive Load



サージ順電流定格  
SURGE CURRENT RATINGS

