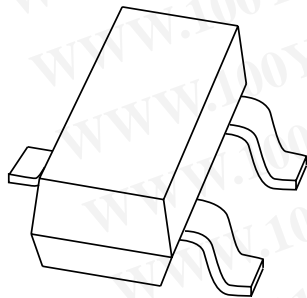


# DATA SHEET



## **PLVA6xxA series** Low-voltage avalanche regulator diodes

Product data sheet  
Supersedes data of 1999 May 25

2004 Jan 14

勝特力材料 886-3-5753170  
勝特力电子(上海) 86-21-34970699  
勝特力电子(深圳) 86-755-83298787  
[Http://www.100y.com.tw](http://www.100y.com.tw)

# Low-voltage avalanche regulator diodes

# PLVA6xxA series

### FEATURES

- Very low dynamic impedance at low currents: approximately  $\frac{1}{20}$  of conventional series
- Hard breakdown knee
- Low noise: approximately  $\frac{1}{10}$  of conventional series
- Total power dissipation: max. 250 mW
- Small tolerances of  $V_Z$
- Working voltage range: nominal 5.00 to 6.80 V
- Non-repetitive peak reverse power dissipation: maximal 30 W.

### APPLICATIONS

- Low current, low power, low noise applications
- CMOS RAM back-up circuits
- Voltage stabilizers
- Voltage limiters
- Smoke detector relays.

### DESCRIPTION

High performance voltage regulator diodes in small SOT23 plastic SMD packages.

The series consists of PLVA650A to PLVA668A.

### MARKING

TYPE NUMBER	MARKING CODE <sup>(1)</sup>
PLVA650A	*9A
PLVA653A	*9B
PLVA656A	*9C
PLVA659A	*9D
PLVA662A	*9E
PLVA665A	*9F
PLVA668A	*9G

### Note

1. \* = p: Made in Hong Kong.  
 \* = t: Made in Malaysia.  
 \* = W: Made in China.

### PINNING

PIN	DESCRIPTION
1	anode
2	not connected
3	cathode

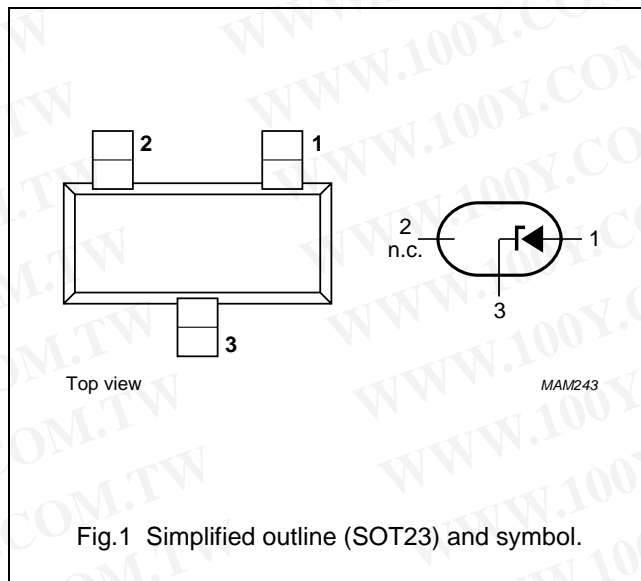


Fig.1 Simplified outline (SOT23) and symbol.

勝特力材料 886-3-5753170  
 胜特力电子(上海) 86-21-34970699  
 胜特力电子(深圳) 86-755-83298787  
[Http://www.100y.com.tw](http://www.100y.com.tw)

## Low-voltage avalanche regulator diodes

## PLVA6xxA series

## ORDERING INFORMATION

TYPE NUMBER	PACKAGE		
	NAME	DESCRIPTION	VERSION
PLVA6xxA	–	plastic surface mounted package; 3 leads	SOT23

## LIMITING VALUES

In accordance with the Absolute Maximum Rating System (IEC 60134).

SYMBOL	PARAMETER	CONDITIONS	MIN.	MAX.	UNIT
$I_F$	continuous forward current		–	250	mA
$I_{ZRM}$	repetitive peak working current	$t_p = 100 \mu\text{s}$ ; $\delta = 10\%$	–	250	mA
$P_{ZSM}$	non-repetitive peak reverse power dissipation	$t_p = 100 \mu\text{s}$ ; $T_j = 150 \text{ }^\circ\text{C}$	–	30	W
$P_{tot}$	total power dissipation	$T_{amb} = 25 \text{ }^\circ\text{C}$ ; note 1	–	250	mW
$T_{stg}$	storage temperature		–65	+150	$^\circ\text{C}$
$T_j$	junction temperature		–	150	$^\circ\text{C}$

## Note

1. Device mounted on an FR4 printed circuit-board.

勝特力材料 886-3-5753170  
 勝特力电子(上海) 86-21-34970699  
 勝特力电子(深圳) 86-755-83298787  
[Http://www.100y.com.tw](http://www.100y.com.tw)

Low-voltage avalanche regulator diodes

PLVA6xxA series

**ELECTRICAL CHARACTERISTICS**

T<sub>j</sub> = 25 °C; unless otherwise specified.

SYMBOL	PARAMETER	CONDITIONS	MIN.	TYP.	MAX.	UNIT
V <sub>F</sub>	forward voltage	I <sub>F</sub> = 10 mA	–	–	0.9	V
V <sub>Z</sub>	working voltage PLVA650A PLVA653A PLVA656A PLVA659A PLVA662A PLVA665A PLVA668A	I <sub>Z</sub> = 250 µA	4.80 5.10 5.40 5.70 6.00 6.30 6.60	5.00 5.30 5.60 5.90 6.20 6.50 6.80	5.20 5.50 5.80 6.10 6.40 6.70 7.00	V V V V V V V
V <sub>Z</sub>	working voltage PLVA650A PLVA653A PLVA656A PLVA659A PLVA662A PLVA665A PLVA668A	I <sub>Z</sub> = 10 µA	– – – – – – –	4.30 5.20 5.51 5.85 6.19 6.49 6.80	– – – – – – –	V V V V V V V
R <sub>Z</sub>	dynamic resistance PLVA650A PLVA653A PLVA656A to PLVA668A	1 kHz superimposed; I <sub>ZAC</sub> is 10% of I <sub>ZDC</sub> ; I <sub>Z</sub> = 250 µA	– – –	– – –	700 250 100	Ω Ω Ω
S <sub>Z</sub>	temperature coefficient PLVA650A PLVA653A PLVA656A PLVA659A PLVA662A PLVA665A PLVA668A	I <sub>Z</sub> = 250 µA	– – – – – – –	0.20 1.60 1.90 2.40 2.65 2.90 3.40	– – – – – – –	mV/K mV/K mV/K mV/K mV/K mV/K mV/K
I <sub>R</sub>	reverse current PLVA650A PLVA653A PLVA656A PLVA659A PLVA662A PLVA665A PLVA668A	V <sub>R</sub> = 80% V <sub>Z</sub> nominal	– – – – – – –	– – – – – – –	20000 5000 1000 500 100 50 10	nA nA nA nA nA nA nA

Low-voltage avalanche regulator diodes

PLVA6xxA series

SYMBOL	PARAMETER	CONDITIONS	MIN.	TYP.	MAX.	UNIT
I <sub>R</sub>	reverse current	V <sub>R</sub> = 50% V <sub>Z</sub> nominal				
	PLVA650A		–	34	–	nA
	PLVA653A		–	22	–	nA
	PLVA656A		–	1.1	–	nA
	PLVA659A		–	0.9	–	nA
	PLVA662A		–	0.9	–	nA
	PLVA665A		–	0.9	–	nA
	PLVA668A		–	0.8	–	nA
I <sub>R</sub>	reverse current	V <sub>R</sub> = 90% V <sub>Z</sub> nominal				
	PLVA650A		–	21	–	μA
	PLVA653A		–	3.5	–	μA
	PLVA656A		–	1.3	–	μA
	PLVA659A		–	1.0	–	μA
	PLVA662A		–	0.05	–	μA
	PLVA665A		–	0.04	–	μA
	PLVA668A		–	0.006	–	μA
ΔV <sub>Z</sub>	line regulation					
	PLVA659A to PLVA668A	I <sub>LO</sub> = 10 μA; I <sub>HI</sub> = 1 mA	–	–	0.1	V
	PLVA656A	I <sub>LO</sub> = 50 μA; I <sub>HI</sub> = 1 mA	–	–	0.1	V
	PLVA650A	I <sub>LO</sub> = 100 μA; I <sub>HI</sub> = 1 mA	–	–	0.4	V
	PLVA653A	I <sub>LO</sub> = 100 μA; I <sub>HI</sub> = 1 mA	–	–	0.2	V
V <sub>n</sub>	noise voltage density	f = 1 kHz; B = 1 kHz; I <sub>Z</sub> = 250 μA	–	–	1.0	$\frac{\mu V}{\sqrt{Hz}}$

THERMAL CHARACTERISTICS

SYMBOL	PARAMETER	CONDITIONS	VALUE	UNIT
R <sub>th(j-tp)</sub>	thermal resistance from junction to tie-point		330	K/W
R <sub>th(j-a)</sub>	thermal resistance from junction to ambient	note 1	500	K/W

Note

1. Device mounted on an FR4 printed circuit-board.

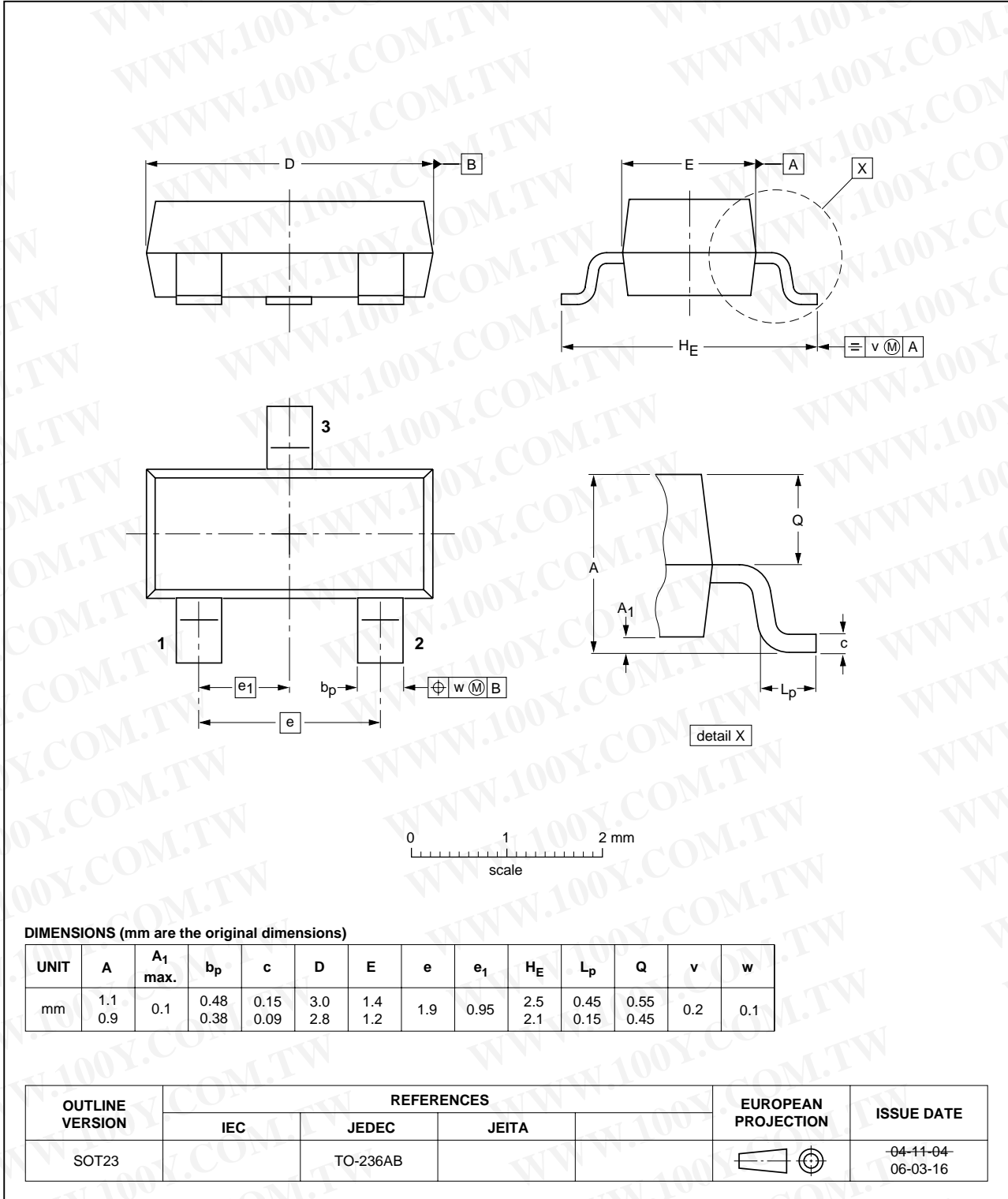
Low-voltage avalanche regulator diodes

PLVA6xxA series

PACKAGE OUTLINE

Plastic surface-mounted package; 3 leads

SOT23



## Low-voltage avalanche regulator diodes

## PLVA6xxA series

### DATA SHEET STATUS

DOCUMENT STATUS <sup>(1)</sup>	PRODUCT STATUS <sup>(2)</sup>	DEFINITION
Objective data sheet	Development	This document contains data from the objective specification for product development.
Preliminary data sheet	Qualification	This document contains data from the preliminary specification.
Product data sheet	Production	This document contains the product specification.

### Notes

1. Please consult the most recently issued document before initiating or completing a design.
2. The product status of device(s) described in this document may have changed since this document was published and may differ in case of multiple devices. The latest product status information is available on the Internet at URL <http://www.nxp.com>.

### DISCLAIMERS

**General** — Information in this document is believed to be accurate and reliable. However, NXP Semiconductors does not give any representations or warranties, expressed or implied, as to the accuracy or completeness of such information and shall have no liability for the consequences of use of such information.

**Right to make changes** — NXP Semiconductors reserves the right to make changes to information published in this document, including without limitation specifications and product descriptions, at any time and without notice. This document supersedes and replaces all information supplied prior to the publication hereof.

**Suitability for use** — NXP Semiconductors products are not designed, authorized or warranted to be suitable for use in medical, military, aircraft, space or life support equipment, nor in applications where failure or malfunction of an NXP Semiconductors product can reasonably be expected to result in personal injury, death or severe property or environmental damage. NXP Semiconductors accepts no liability for inclusion and/or use of NXP Semiconductors products in such equipment or applications and therefore such inclusion and/or use is at the customer's own risk.

**Applications** — Applications that are described herein for any of these products are for illustrative purposes only. NXP Semiconductors makes no representation or warranty that such applications will be suitable for the specified use without further testing or modification.

**Limiting values** — Stress above one or more limiting values (as defined in the Absolute Maximum Ratings System of IEC 60134) may cause permanent damage to the device. Limiting values are stress ratings only and operation of the device at these or any other conditions

above those given in the Characteristics sections of this document is not implied. Exposure to limiting values for extended periods may affect device reliability.

**Terms and conditions of sale** — NXP Semiconductors products are sold subject to the general terms and conditions of commercial sale, as published at <http://www.nxp.com/profile/terms>, including those pertaining to warranty, intellectual property rights infringement and limitation of liability, unless explicitly otherwise agreed to in writing by NXP Semiconductors. In case of any inconsistency or conflict between information in this document and such terms and conditions, the latter will prevail.

**No offer to sell or license** — Nothing in this document may be interpreted or construed as an offer to sell products that is open for acceptance or the grant, conveyance or implication of any license under any copyrights, patents or other industrial or intellectual property rights.

**Export control** — This document as well as the item(s) described herein may be subject to export control regulations. Export might require a prior authorization from national authorities.

**Quick reference data** — The Quick reference data is an extract of the product data given in the Limiting values and Characteristics sections of this document, and as such is not complete, exhaustive or legally binding.

# NXP Semiconductors

勝特力材料 886-3-5753170  
勝特力电子(上海) 86-21-34970699  
勝特力电子(深圳) 86-755-83298787  
[Http://www.100y.com.tw](http://www.100y.com.tw)

## Customer notification

This data sheet was changed to reflect the new company name NXP Semiconductors, including new legal definitions and disclaimers. No changes were made to the technical content, except for package outline drawings which were updated to the latest version.

## Contact information

For additional information please visit: <http://www.nxp.com>

For sales offices addresses send e-mail to: [salesaddresses@nxp.com](mailto:salesaddresses@nxp.com)

© NXP B.V. 2009

All rights are reserved. Reproduction in whole or in part is prohibited without the prior written consent of the copyright owner.

The information presented in this document does not form part of any quotation or contract, is believed to be accurate and reliable and may be changed without notice. No liability will be accepted by the publisher for any consequence of its use. Publication thereof does not convey nor imply any license under patent- or other industrial or intellectual property rights.

Printed in The Netherlands

R76/03/pp8

Date of release: 2004 Jan 14

Document order number: 9397 750 12445

founded by

**PHILIPS**