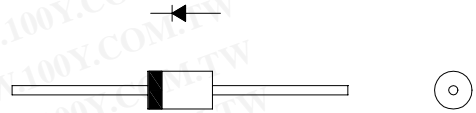


# FRD Type: 31DF6

## FEATURES

- \* Ultra – Fast Recovery
- \* Low Forward Voltage Drop
- \* Low Power Loss, High Efficiency
- \* High Surge Capability
- \* 200 Volts thru 600 Volts Types Available

## OUTLINE DRAWING



## Maximum Ratings

Approx Net Weight:1.19g

Rating	Symbol	31DF6		Unit
Repetitive Peak Reverse Voltage	$V_{RRM}$	600		V
Average Rectified Output Current	$I_O$	1.2	$T_a=29^{\circ}C$ *1	50Hz Half Sine Wave Resistive Load
		3.0	$T_l=109^{\circ}C$ $T_l$ :Lead Temperature	
RMS Forward Current	$I_{F(RMS)}$	4.71		A
Surge Forward Current	$I_{FSM}$	45	50Hz Half Sine Wave,1cycle, Non-repetitive	A
Operating JunctionTemperature Range	$T_{jw}$	- 40 to + 150		$^{\circ}C$
Storage Temperature Range	$T_{stg}$	- 40 to + 150		$^{\circ}C$

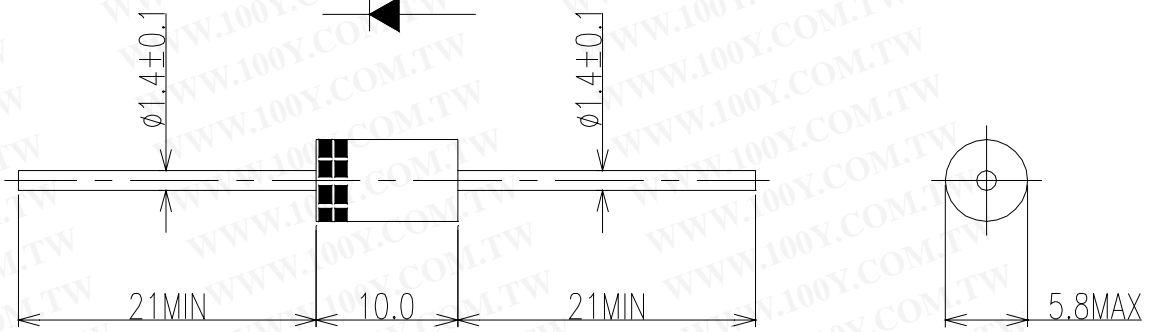
## Electrical/Thermal • Characteristics

Characteristics	Symbol	Conditions	Min.	Typ.	Max.	Unit
Peak Reverse Current	$I_{RM}$	$T_j= 25^{\circ}C, V_{RM}= V_{RRM}$	-	-	20	$\mu A$
Peak Forward Voltage	$V_{FM}$	$T_j= 25^{\circ}C, I_{FM}= 3 A$	-	-	1.7	V
Reverse Recovery Time	$t_{rr}$	$T_a= 25^{\circ}C, I_{FM}=3 A -di/dt=50A/\mu s$			35	ns
Thermal Resistance	$R_{th(j-a)}$	Junction to Ambient *1:Without Fin.	-	-	80	$^{\circ}C/W$
	$R_{th(j-l)}$	Junction to Lead			8	

\*1: Without Fin or P.C. Board

**勝特力材料 886-3-5753170**  
**勝特力电子(上海) 86-21-34970699**  
**勝特力电子(深圳) 86-755-83298787**  
[Http://www.100y.com.tw](http://www.100y.com.tw)

31DF6 OUTLINE DRAWING (Dimensions in mm)



勝特力材料 886-3-5753170  
勝特力电子(上海) 86-21-34970699  
勝特力电子(深圳) 86-755-83298787  
[Http://www.100y.com.tw](http://www.100y.com.tw)