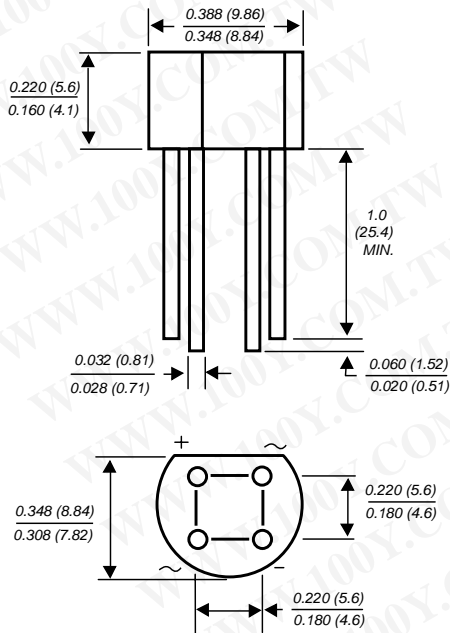


Case W0G



Dimensions in inches and (millimeters)

Glass Passivated Single Phase Bridge Rectifiers

Reverse Voltage 200 to 1000V
Forward current 1.5 Amp

Features

- Glass passivated die construction
- Ideal for printed circuit boards
- Plastic material used carries UL flammability recognition 94V-0
- High surge current capability
- High case dielectric strength of 1500 V_{RMS}

SMSC Catalog Number	Maximum Repetitive Peak Reverse Voltage	Maximum RMS Voltage	Maximum DC Blocking Voltage
W02G	200V	140V	200V
W04G	400V	280V	400V
W06G	600V	420V	600V
W08G	800V	560V	800V
W10G	1000V	700V	1000V

Mechanical Data

Case: Molded plastic case
Terminals: Plated leads solderable per MIL-STD-750, Method 2026
Polarity: Marked on Body
Mounting Position: Any
Weight: 0.04 oz., 1.1 g

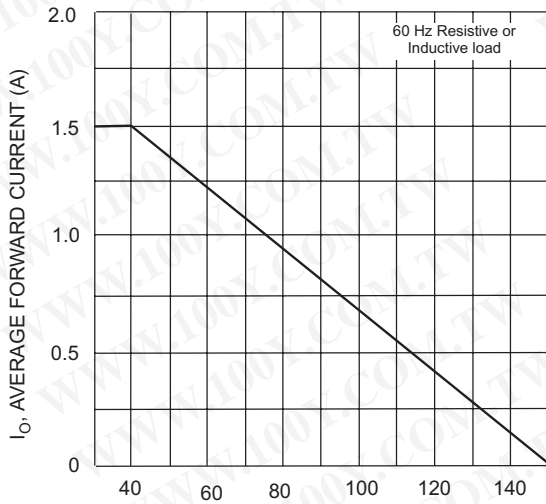
Maximum Ratings and Thermal Characteristics (TA = 25°C unless otherwise noted)

Maximum average forward output rectified current Tc = 40°C	$I_{F(AV)}$	1.5	A
Peak forward surge current single half sine-wave superimposed on rated load (JEDEC Method)	I_{FSM}	50	A
Rating for fusing (t<8.3ms)	I^2t	10	A ² sec
Maximum thermal resistance per leg ⁽¹⁾	$R_{\theta JA}$	36	°C/W
	$R_{\theta JL}$	11	
Operating Junction and storage temperature range	Tj, TSTG	-55 to +150	°C

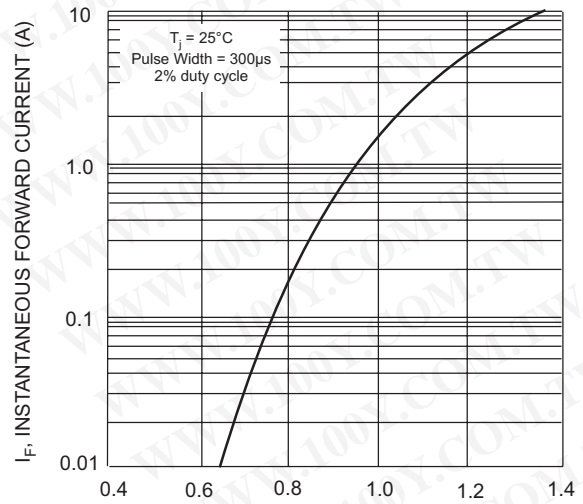
Electrical Characteristics (TA = 25°C unless otherwise noted)

Maximum Instantaneous Forward Voltage per leg	V_F	1.1V	$I_{FM} = 1.0A$
Maximum DC reverse current at rated DC blocking voltage per leg	I_R	5.0μA	TA = 25°C
		500μA	TA = 125°C
Typical Junction Capacitance per leg	C_J	14pF	1.0MHz, VR=4.0V

Notes: (1) Thermal resistance from junction to ambient and from junction to lead mounted on P.C.B. with 0.47 x 0.47" (12 x 12mm) copper pads.



T_A , AMBIENT TEMPERATURE (°C)
 Fig. 1 Output Current Derating Curve



V_F , INSTANTANEOUS FORWARD VOLTAGE (V)
 Fig. 2 Typ Forward Characteristics (per element)

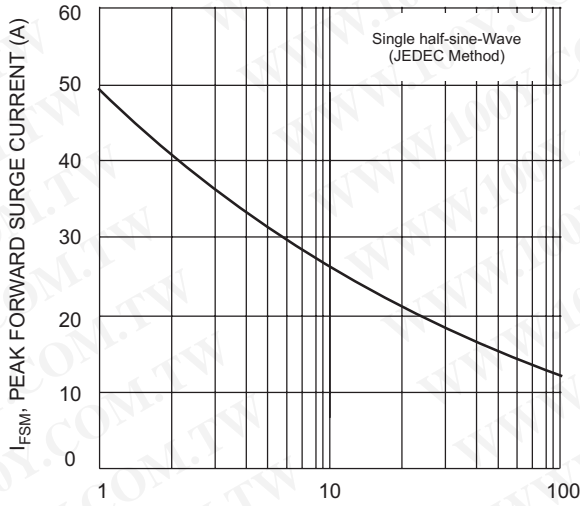
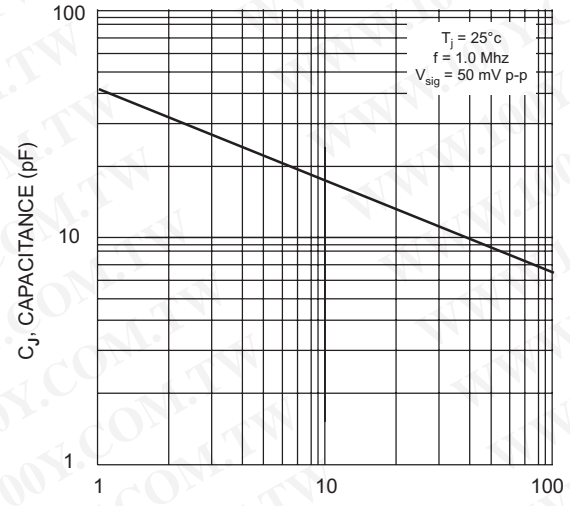


Fig. 3 Max Non-Repetitive Peak Forward Surge Current



V_R , REVERSE VOLTAGE (V)
 Fig. 4 Typ Junction Capacitance (per element)

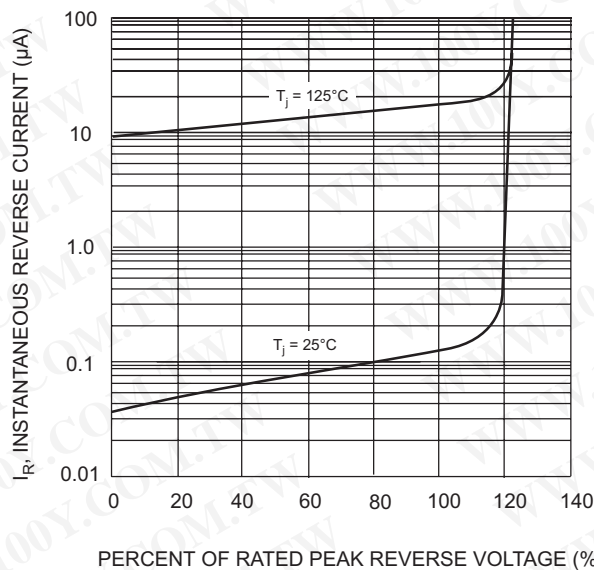


Fig. 5 Typ Reverse Characteristics (per element)