

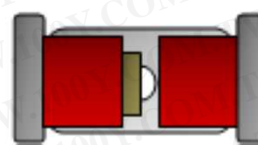
Small Signal Product

150mW Bi-directional Trigger Diode

勝特力材料 886-3-5753170
 勝特力电子(上海) 86-21-34970699
 勝特力电子(深圳) 86-755-83298787
[Http://www.100y.com.tw](http://www.100y.com.tw)

FEATURES

- Surface mounted device
- Hermetically sealed glass
- Matte Tin(Sn) terminal finish
- All external surfaces are corrosion resistant and terminals are readily solderable



MECHANICAL DATA

- Case: Mini-MELF package
- High temperature soldering guaranteed: 260°C/10s
- Weight: 29 ± 2.5 mg
- Terminal: Pure tin plated, lead free, solderable per MIL-STD-202, method 208 guaranteed
- Pb free and RoHS compliant

Mini-MELF (LL34)
Hermetically Sealed Glass



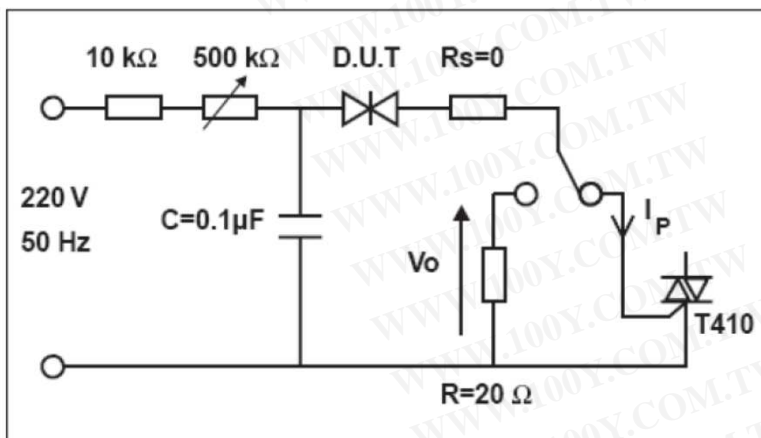
MAXIMUM RATINGS AND ELECTRICAL CHARACTERISTICS (T_A=25°C unless otherwise noted)

PARAMETER	SYMBOL	VALUE	UNIT
Repetitive Peak Forward Current Pulse Width = 20µs	I _{FRM}	2	A
Power Dissipation	P _D	150	mW
Thermal Resistance (Junction to Ambient) (Note)	R _{θJA}	400	°C/W
Junction and Storage Temperature Range	T _J , T _{STG}	- 40 to + 125	°C

Notes: Valid provided that electrodes are kept at ambient temperature

PARAMETER	SYMBOL	MIN	TYP	MAX	TEST CONDITION	UNIT
Break-Over Voltage	V _{BO}	28	32	36	C=22nF	V
		30	32	34		
Break-Over Voltage Symmetry	+ / -V _{BO}			±3	C=22nF	V
				±2		
Dynamic Breakdown Voltage	ΔV	5			I _{BO} to I _F =10mA	V
		9				
Output Voltage	V _O	5			(Note)	V
Leakage Current	I _B			10	V _B = 0.5V _{BO} (Max)	µA
Break-Over Current	I _{BO}			100	C=22nF	µA
				15		

Notes: Test Circuit

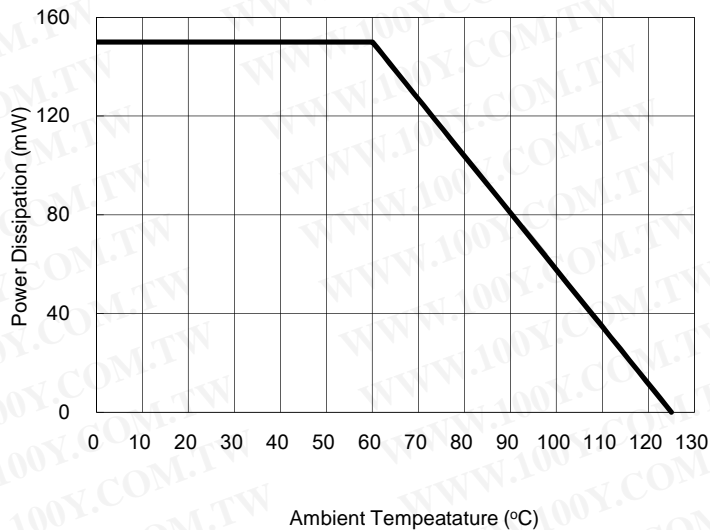


Small Signal Product

RATINGS AND CHARACTERISTICS CURVES

($T_A=25^\circ\text{C}$ unless otherwise noted)

Fig. 1 Admissible Power Dissipation Curve



勝特力材料 886-3-5753170
 勝特力电子(上海) 86-21-34970699
 勝特力电子(深圳) 86-755-83298787
[Http://www.100y.com.tw](http://www.100y.com.tw)

Fig. 2 Relative Variation of VBO VS. Junction Temperature (Typical Values)

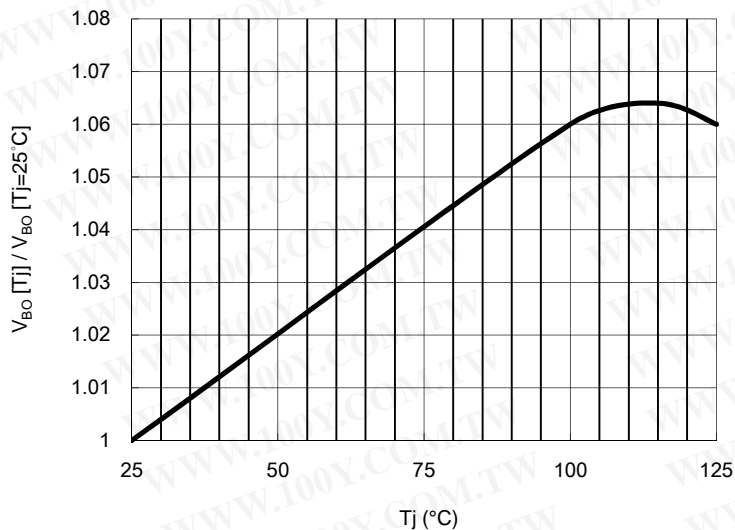
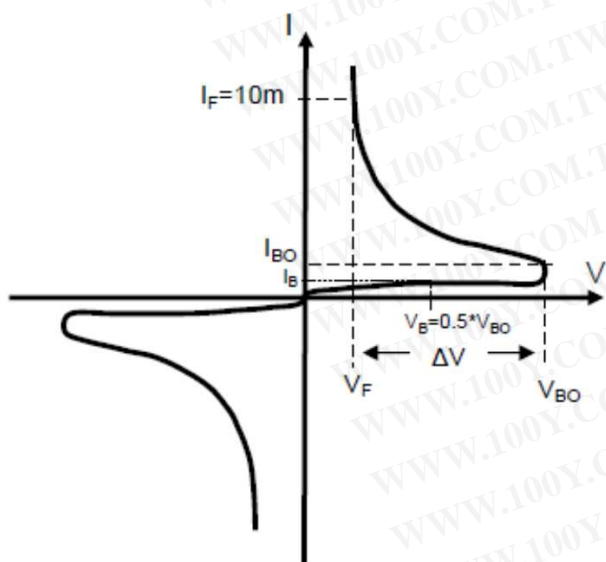
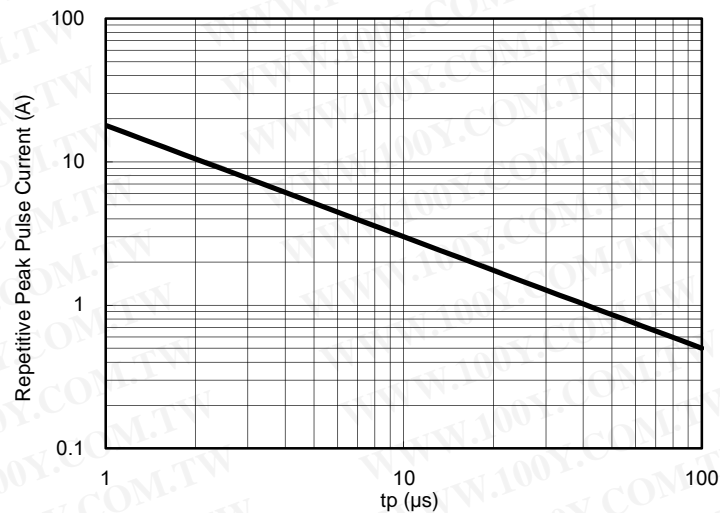


Fig. 3 Repetitive Peak Pulse Current VS. Pulse Duration (Maximum Values)



- V_{BO} : Break-Over Voltage
- I_{BO} : Break-Over Current
- ΔV : Dynamic Breakover Voltage
- I_B : Leakage Current at $V_B=0.5 \cdot V_{BO}$
- V_F : Voltage at Current $I_F=10\text{mA}$

Small Signal Product

ORDERING INFORMATION						
PART NO.	MANUFACTURE CODE (Note)	PACKING CODE	GREEN COMPOUND CODE	PACKAGE	PACKING	MARKING
LLDB3		L1	G	Mini-MELF (LL34)	2.5K / 7" Reel	
LLDB3TG		L1	G	Mini-MELF (LL34)	2.5K / 7" Reel	

Note: Indicator of manufacturing site for manufacture special control, if empty means no special control requirement

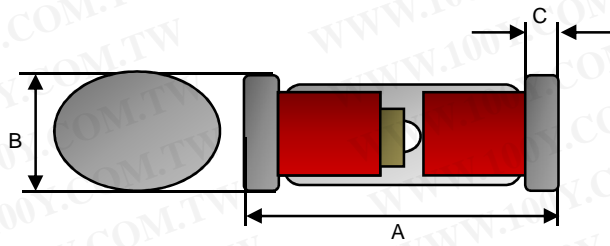
EXAMPLE					
PREFERRED P/N	PART NO.	MANUFACTURE CODE	PACKING CODE	GREEN COMPOUND CODE	DESCRIPTION
LLDB3 L1G	LLDB3		L1	G	Green compound
LLDB3-N0 L1G	LLDB3	N0	L1	G	Green compound

勝特力材料 886-3-5753170
 勝特力电子(上海) 86-21-34970699
 勝特力电子(深圳) 86-755-83298787
[Http://www.100y.com.tw](http://www.100y.com.tw)

Small Signal Product

PACKAGE OUTLINE DIMENSIONS

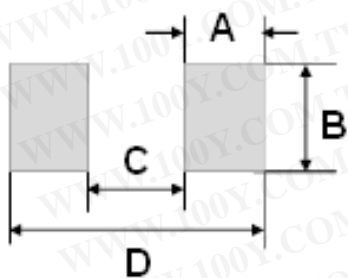
Mini-MELF (LL34)



DIM.	Unit (mm)		Unit (inch)	
	Min	Max	Min	Max
A	3.30	3.70	0.130	0.146
B	1.40	1.60	0.055	0.063
C	0.20	0.50	0.008	0.020

勝特力材料 886-3-5753170
 勝特力电子(上海) 86-21-34970699
 勝特力电子(深圳) 86-755-83298787
[Http://www.100y.com.tw](http://www.100y.com.tw)

SUGGESTED PAD LAYOUT



DIM.	Unit (mm)	Unit (inch)
	Typ.	Typ.
A	1.25	0.049
B	2.00	0.079
C	2.50	0.098
D	5.00	0.197

Small Signal Product

勝特力材料 886-3-5753170
勝特力电子(上海) 86-21-34970699
勝特力电子(深圳) 86-755-83298787
[Http://www.100y.com.tw](http://www.100y.com.tw)

Notice

Specifications of the products displayed herein are subject to change without notice. TSC or anyone on its behalf, assumes no responsibility or liability for any errors inaccuracies.

Information contained herein is intended to provide a product description only. No license, express or implied, to any intellectual property rights is granted by this document. Except as provided in TSC's terms and conditions of sale for such products, TSC assumes no liability whatsoever, and disclaims any express or implied warranty, relating to sale and/or use of TSC products including liability or warranties relating to fitness for a particular purpose, merchantability, or infringement of any patent, copyright, or other intellectual property right.

The products shown herein are not designed for use in medical, life-saving, or life-sustaining applications. Customers using or selling these products for use in such applications do so at their own risk and agree to fully indemnify TSC for any damages resulting from such improper use or sale.