

## Medium Power Thyristors (Stud Version), 25 A

勝特力材料 886-3-5753170  
 勝特力电子(上海) 86-21-34970699  
 勝特力电子(深圳) 86-755-83298787  
[Http://www.100y.com.tw](http://www.100y.com.tw)



TO-208AA (TO-48)

### FEATURES

- Improved glass passivation for high reliability and exceptional stability at high temperature
- High  $di/dt$  and  $dV/dt$  capabilities
- Standard package
- Low thermal resistance
- Metric threads version available
- Types up to 1200 V  $V_{DRM}/V_{RRM}$
- RoHS compliant
- Designed and qualified for industrial and consumer level



### PRODUCT SUMMARY

$I_{T(AV)}$	25 A
-------------	------

### TYPICAL APPLICATIONS

- Medium power switching
- Phase control applications
- Can be supplied to meet stringent military, aerospace and other high reliability requirements

### MAJOR RATINGS AND CHARACTERISTICS

PARAMETER	TEST CONDITIONS	VALUES	UNITS
$I_{T(AV)}$		25	A
	$T_C$	85	°C
$I_{T(RMS)}$		40	A
$I_{TSM}$	50 Hz	420	A
	60 Hz	440	
$I^2t$	50 Hz	867	A <sup>2</sup> s
	60 Hz	790	
$V_{DRM}/V_{RRM}$		100 to 1200	V
$t_q$	Typical	110	µs
$T_J$		- 65 to 125	°C

### ELECTRICAL SPECIFICATIONS

VOLTAGE RATINGS				
TYPE NUMBER	VOLTAGE CODE	$V_{DRM}/V_{RRM}$ , MAXIMUM REPETITIVE PEAK AND OFF-STATE VOLTAGE <sup>(1)</sup> V	$V_{RSM}$ , MAXIMUM NON-REPETITIVE PEAK VOLTAGE <sup>(2)</sup> V	$I_{DRM}/I_{RRM}$ MAXIMUM AT $T_J = T_J$ MAXIMUM mA
25RIA	10	100	150	10
	20	200	300	
	40	400	500	
	60	600	700	
	80	800	900	
	100	1000	1100	
	120	1200	1300	

#### Notes

<sup>(1)</sup> Units may be broken over non-repetitively in the off-state direction without damage, if  $di/dt$  does not exceed 20 A/ $\mu$ s

<sup>(2)</sup> For voltage pulses with  $t_p \leq 5$  ms

ABSOLUTE MAXIMUM RATINGS					
PARAMETER	SYMBOL	TEST CONDITIONS		VALUES	UNITS
Maximum average on-state current at case temperature	$I_{T(AV)}$	180° sinusoidal conduction		25	A
				85	°C
Maximum RMS on-state current	$I_{T(RMS)}$			40	A
Maximum peak, one-cycle non-repetitive surge current	$I_{TSM}$	t = 10 ms	No voltage reapplied	Sinusoidal half wave, initial $T_J = T_J$ maximum	A
		t = 8.3 ms			
		t = 10 ms	100 % $V_{RRM}$ reapplied		
		t = 8.3 ms			
Maximum $I^2t$ for fusing	$I^2t$	t = 10 ms	No voltage reapplied		A <sup>2</sup> s
		t = 8.3 ms			
		t = 10 ms	100 % $V_{RRM}$ reapplied		
		t = 8.3 ms			
Maximum $I^2\sqrt{t}$ for fusing	$I^2\sqrt{t}$	t = 0.1 to 10 ms, no voltage reapplied, $T_J = T_J$ maximum		8670	A <sup>2</sup> $\sqrt{s}$
Low level value of threshold voltage	$V_{T(TO)1}$	$(16.7\% \times \pi \times I_{T(AV)} < I < \pi \times I_{T(AV)})$ , $T_J = T_J$ maximum		0.99	V
High level value of threshold voltage	$V_{T(TO)2}$	$(I > \pi \times I_{T(AV)})$ , $T_J = T_J$ maximum		1.40	
Low level value of on-state slope resistance	$r_{t1}$	$(16.7\% \times \pi \times I_{T(AV)} < I < \pi \times I_{T(AV)})$ , $T_J = T_J$ maximum		10.1	m $\Omega$
High level value of on-state slope resistance	$r_{t2}$	$(I > \pi \times I_{T(AV)})$ , $T_J = T_J$ maximum		5.7	
Maximum on-state voltage	$V_{TM}$	$I_{pk} = 79$ A, $T_J = 25$ °C		1.70	V
Maximum holding current	$I_H$	$T_J = 25$ °C, anode supply 6 V, resistive load		130	mA
Latching current	$I_L$			200	



## Medium Power Thyristors Vishay High Power Products (Stud Version), 25 A

SWITCHING				
PARAMETER	SYMBOL	TEST CONDITIONS	VALUES	UNITS
Maximum rate of rise of turned-on current	dl/dt	T <sub>J</sub> = T <sub>J</sub> maximum, V <sub>DM</sub> = Rated V <sub>DRM</sub> Gate pulse = 20 V, 15 Ω, t <sub>p</sub> = 6 μs, t <sub>r</sub> = 0.1 μs maximum I <sub>TM</sub> = (2 x rated dl/dt) A	200	A/μs
			180	
			160	
			150	
Typical turn-on time	t <sub>gt</sub>	T <sub>J</sub> = 25 °C, at rated V <sub>DRM</sub> /V <sub>RRM</sub> , T <sub>J</sub> = 125 °C	0.9	μs
Typical reverse recovery time	t <sub>rr</sub>	T <sub>J</sub> = T <sub>J</sub> maximum, I <sub>TM</sub> = I <sub>T(AV)</sub> , t <sub>p</sub> > 200 μs, dl/dt = - 10 A/μs	4	
Typical turn-off time	t <sub>q</sub>	T <sub>J</sub> = T <sub>J</sub> maximum, I <sub>TM</sub> = I <sub>T(AV)</sub> , t <sub>p</sub> > 200 μs, V <sub>R</sub> = 100 V, dl/dt = - 10 A/μs, dV/dt = 20 V/μs linear to 67 % V <sub>DRM</sub> , gate bias 0 V to 100 W	110	

### Note

- t<sub>q</sub> = 10 μs up to 600 V, t<sub>q</sub> = 30 μs up to 1600 V available on special request

BLOCKING				
PARAMETER	SYMBOL	TEST CONDITIONS	VALUES	UNITS
Maximum critical rate of rise of off-state voltage	dV/dt	T <sub>J</sub> = T <sub>J</sub> maximum linear to 100 % rated V <sub>DRM</sub>	100	V/μs
		T <sub>J</sub> = T <sub>J</sub> maximum linear to 67 % rated V <sub>DRM</sub>	300 <sup>(1)</sup>	

### Note

- <sup>(1)</sup> Available with: dV/dt = 1000 V/μs, to complete code add S90 i.e. 25RIA120S90

TRIGGERING				
PARAMETER	SYMBOL	TEST CONDITIONS	VALUES	UNITS
Maximum peak gate power	P <sub>GM</sub>	T <sub>J</sub> = T <sub>J</sub> maximum	8.0	W
Maximum average gate power	P <sub>G(AV)</sub>		2.0	
Maximum peak positive gate current	I <sub>GM</sub>	T <sub>J</sub> = T <sub>J</sub> maximum	1.5	A
Maximum peak negative gate voltage	-V <sub>GM</sub>	T <sub>J</sub> = T <sub>J</sub> maximum	10	V
DC gate current required to trigger	I <sub>GT</sub>	T <sub>J</sub> = - 65 °C	Maximum required gate trigger current/voltage are the lowest value which will trigger all units 6 V anode to cathode applied	mA
		T <sub>J</sub> = 25 °C		
		T <sub>J</sub> = 125 °C		
DC gate voltage required to trigger	V <sub>GT</sub>	T <sub>J</sub> = - 65 °C	3.0	V
		T <sub>J</sub> = 25 °C	2.0	
		T <sub>J</sub> = 125 °C	1.0	
DC gate current not to trigger	I <sub>GD</sub>	T <sub>J</sub> = T <sub>J</sub> maximum, V <sub>DRM</sub> = Rated value	2.0	mA
DC gate voltage not to trigger	V <sub>GD</sub>	T <sub>J</sub> = T <sub>J</sub> maximum, V <sub>DRM</sub> = Rated value	0.2	V

THERMAL AND MECHANICAL SPECIFICATIONS				
PARAMETER	SYMBOL	TEST CONDITIONS	VALUES	UNITS
Maximum operating junction and storage temperature range	$T_J, T_{Stg}$		- 65 to 125	°C
Maximum thermal resistance, junction to case	$R_{thJC}$	DC operation	0.75	K/W
Maximum thermal resistance, case to heatsink	$R_{thCS}$	Mounting surface, smooth, flat and greased	0.35	
Allowable mounting torque		Non-lubricated threads	3.4 + 0 - 10 % (30)	N · m (lbf · in)
		Lubricated threads	23 + 0 - 10 % (20)	
Approximate weight			14	g
			0.49	oz.
Case style		See dimensions - link at the end of datasheet	TO-208AA (TO-48)	

$\Delta R_{thJC}$ CONDUCTION				
CONDUCTION ANGLE	SINUSOIDAL CONDUCTION	RECTANGULAR CONDUCTION	TEST CONDITIONS	UNITS
180°	0.17	0.13	$T_J = T_J$ maximum	K/W
120°	0.21	0.22		
90°	0.27	0.30		
60°	0.40	0.42		
30°	0.69	0.70		

**Note**

- The table above shows the increment of thermal resistance  $R_{thJC}$  when devices operate at different conduction angles than DC

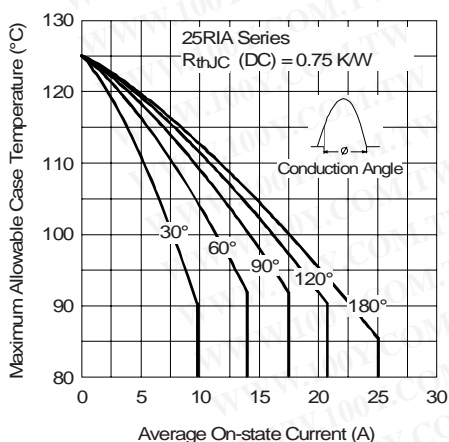


Fig. 1 - Current Ratings Characteristics

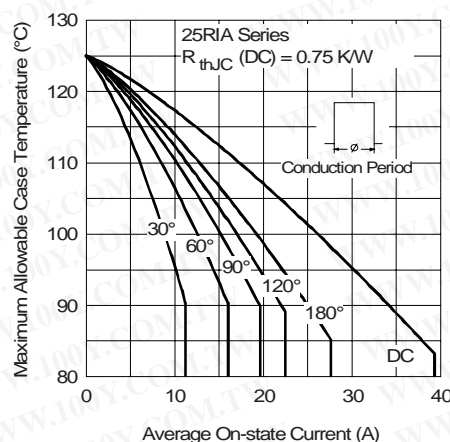


Fig. 2 - Current Ratings Characteristics



Medium Power Thyristors Vishay High Power Products  
(Stud Version), 25 A

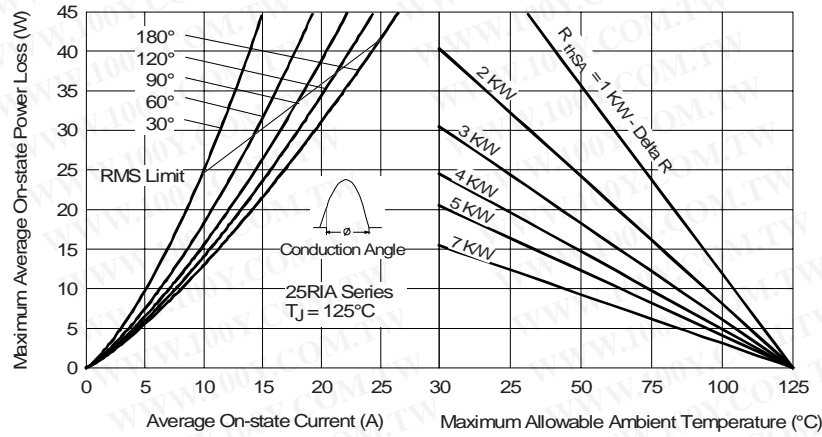


Fig. 3 - On-State Power Loss Characteristics

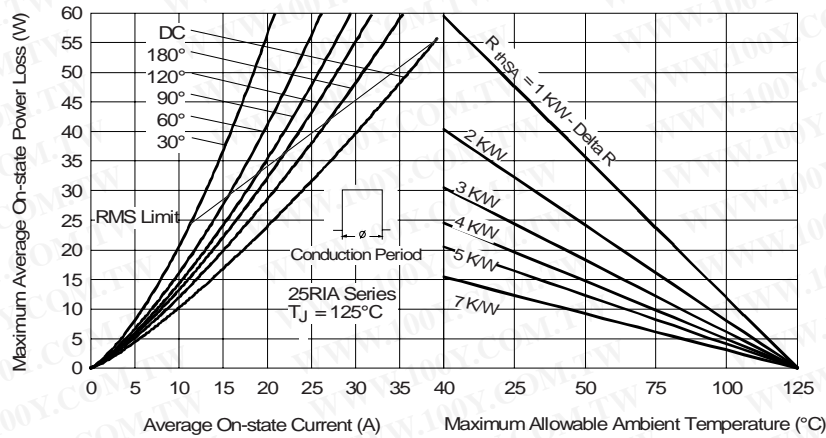


Fig. 4 - On-State Power Loss Characteristics

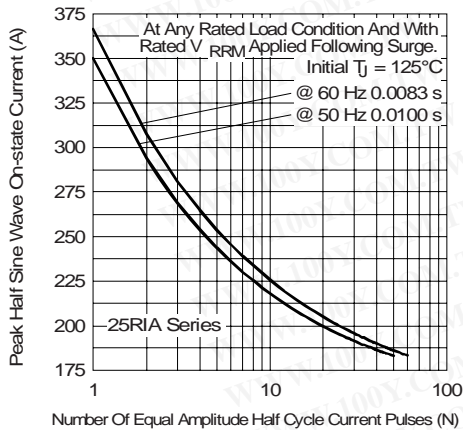


Fig. 5 - Maximum Non-Repetitive Surge Current

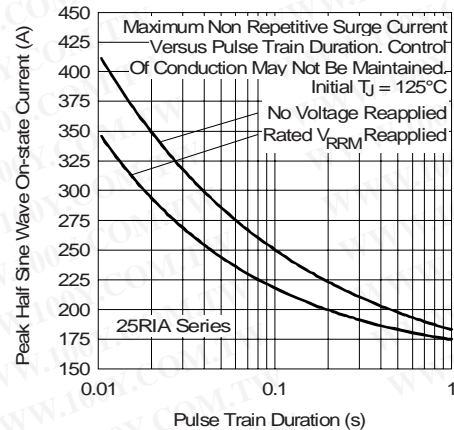


Fig. 6 - Maximum Non-Repetitive Surge Current

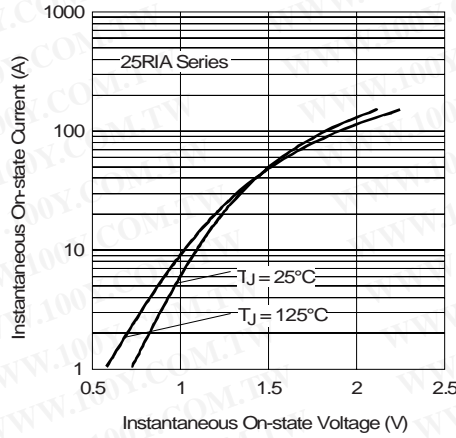


Fig. 7 - Forward Voltage Drop Characteristics

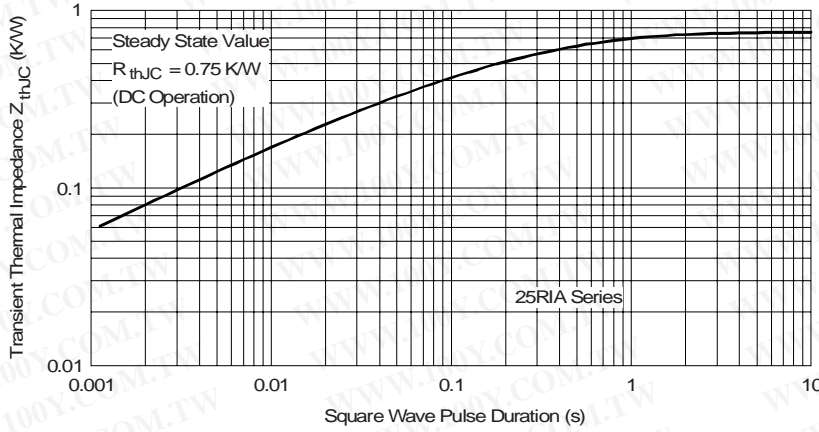


Fig. 8 - Thermal Impedance  $Z_{thJC}$  Characteristics

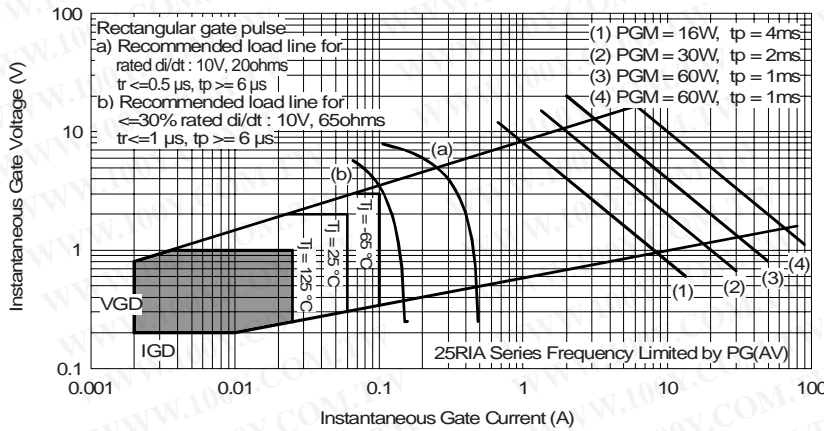
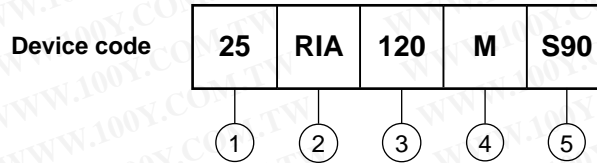


Fig. 9 - Gate Characteristics



### ORDERING INFORMATION TABLE



- 1** - Current code
- 2** - Essential part number
- 3** - Voltage code x 10 =  $V_{RRM}$  (see Voltage Ratings table)
- 4** - None = Stud base TO-208AA (TO-48) 1/4" 28UNF-2A  
M = Stud base TO-208AA (TO-48) M6 x 1
- 5** - Critical dV/dt:  
None = 300 V/ $\mu$ s (standard value)  
S90 = 1000 V/ $\mu$ s (special selection)

#### LINKS TO RELATED DOCUMENTS

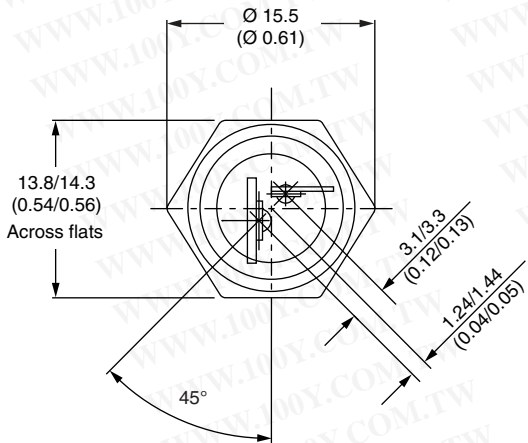
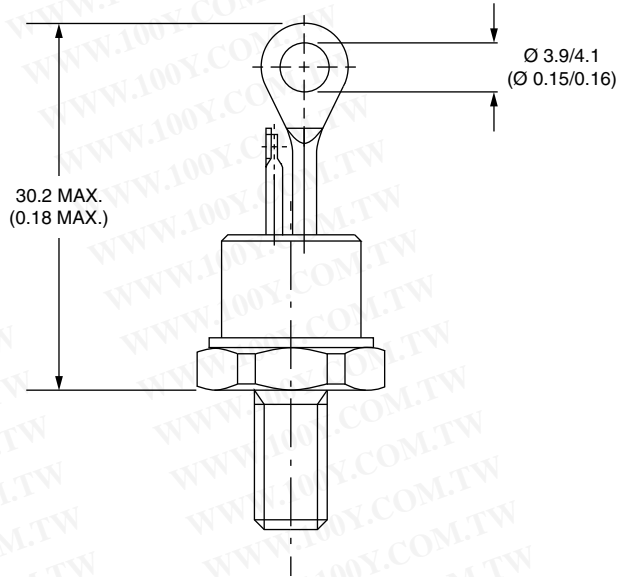
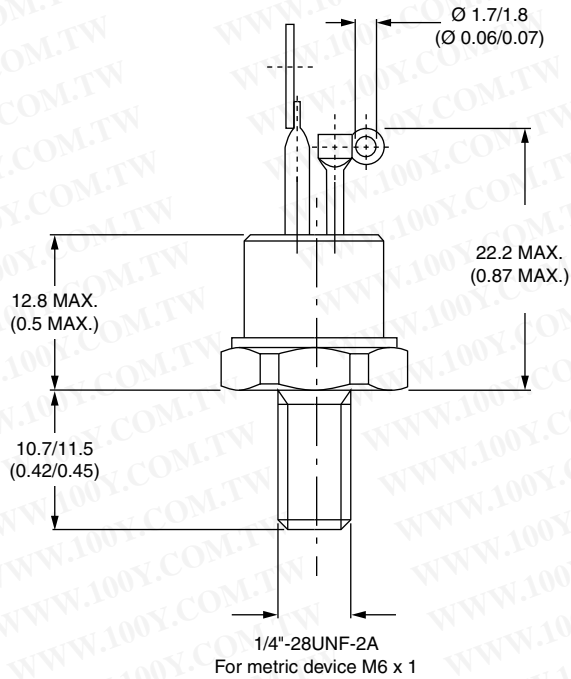
Dimensions

<http://www.vishay.com/doc?95333>



### TO-208AA (TO-48)

**DIMENSIONS** in millimeters (inches)







勝特力材料 886-3-5753170  
勝特力电子(上海) 86-21-34970699  
勝特力电子(深圳) 86-755-83298787  
[Http://www.100y.com.tw](http://www.100y.com.tw)

## Disclaimer

ALL PRODUCT, PRODUCT SPECIFICATIONS AND DATA ARE SUBJECT TO CHANGE WITHOUT NOTICE TO IMPROVE RELIABILITY, FUNCTION OR DESIGN OR OTHERWISE.

Vishay Intertechnology, Inc., its affiliates, agents, and employees, and all persons acting on its or their behalf (collectively, "Vishay"), disclaim any and all liability for any errors, inaccuracies or incompleteness contained in any datasheet or in any other disclosure relating to any product.

Vishay makes no warranty, representation or guarantee regarding the suitability of the products for any particular purpose or the continuing production of any product. To the maximum extent permitted by applicable law, Vishay disclaims (i) any and all liability arising out of the application or use of any product, (ii) any and all liability, including without limitation special, consequential or incidental damages, and (iii) any and all implied warranties, including warranties of fitness for particular purpose, non-infringement and merchantability.

Statements regarding the suitability of products for certain types of applications are based on Vishay's knowledge of typical requirements that are often placed on Vishay products in generic applications. Such statements are not binding statements about the suitability of products for a particular application. It is the customer's responsibility to validate that a particular product with the properties described in the product specification is suitable for use in a particular application. Parameters provided in datasheets and/or specifications may vary in different applications and performance may vary over time. All operating parameters, including typical parameters, must be validated for each customer application by the customer's technical experts. Product specifications do not expand or otherwise modify Vishay's terms and conditions of purchase, including but not limited to the warranty expressed therein.

Except as expressly indicated in writing, Vishay products are not designed for use in medical, life-saving, or life-sustaining applications or for any other application in which the failure of the Vishay product could result in personal injury or death. Customers using or selling Vishay products not expressly indicated for use in such applications do so at their own risk and agree to fully indemnify and hold Vishay and its distributors harmless from and against any and all claims, liabilities, expenses and damages arising or resulting in connection with such use or sale, including attorneys fees, even if such claim alleges that Vishay or its distributor was negligent regarding the design or manufacture of the part. Please contact authorized Vishay personnel to obtain written terms and conditions regarding products designed for such applications.

No license, express or implied, by estoppel or otherwise, to any intellectual property rights is granted by this document or by any conduct of Vishay. Product names and markings noted herein may be trademarks of their respective owners.