

## Small Signal Fast Switching Diodes

勝特力材料 886-3-5753170  
 勝特力电子(上海) 86-21-34970699  
 勝特力电子(深圳) 86-755-83298787  
[Http://www.100y.com.tw](http://www.100y.com.tw)

### Features

- Silicon epitaxial planar diodes
- AEC-Q101 qualified
- Compliant to RoHS directive 2002/95/EC and in accordance to WEEE 2002/96/EC
- Halogen-free according to IEC 61249-2-21 definition



**RoHS**  
 COMPLIANT  
 HALOGEN  
**FREE**



94 9367

### Applications

- Extreme fast switches

### Mechanical Data

**Case:** DO-35

**Weight:** approx. 125 mg

**Cathode Band Color:** black

### Packaging Codes/Options:

TR/10 k per 13" reel (52 mm tape), 50 k/box

TAP/10 k per Ammopack (52 mm tape), 50 k/box

### Parts Table

| Part   | Ordering code           | Type Marking | Remarks                |
|--------|-------------------------|--------------|------------------------|
| 1N4448 | 1N4448-TAP or 1N4448-TR | V4448        | Ammopack/tape and reel |

### Absolute Maximum Ratings

$T_{amb} = 25\text{ }^{\circ}\text{C}$ , unless otherwise specified

| Parameter                       | Test condition   | Symbol    | Value | Unit |
|---------------------------------|--|-----------|-------|------|
| Repetitive peak reverse voltage |  | $V_{RRM}$ | 100   | V    |
| Reverse voltage                 |  | $V_R$     | 75    | V    |
| Peak forward surge current      | $t_p = 1\text{ }\mu\text{s}$                           | $I_{FSM}$ | 2     | A    |
| Repetitive peak forward current |  | $I_{FRM}$ | 500   | mA   |
| Forward continuous current      |  | $I_F$     | 300   | mA   |
| Average forward current         | $V_R = 0$  | $I_{FAV}$ | 150   | mA   |
| Power dissipation               | $l = 4\text{ mm}, T_L = 45\text{ }^{\circ}\text{C}$    | $P_{tot}$ | 440   | mW   |
|                                 | $l = 4\text{ mm}, T_L \leq 25\text{ }^{\circ}\text{C}$ | $P_{tot}$ | 500   | mW   |

### Thermal Characteristics

$T_{amb} = 25\text{ }^{\circ}\text{C}$ , unless otherwise specified

| Parameter                                  | Test condition                           | Symbol     | Value         | Unit               |
|--|--|------------|---------------|--------------------|
| Thermal resistance junction to ambient air | $l = 4\text{ mm}, T_L = \text{constant}$ | $R_{thJA}$ | 350           | K/W                |
| Junction temperature                       |  | $T_j$      | 175           | $^{\circ}\text{C}$ |
| Storage temperature range                  |  | $T_{stg}$  | - 65 to + 150 | $^{\circ}\text{C}$ |

### Electrical Characteristics

$T_{amb} = 25\text{ }^{\circ}\text{C}$ , unless otherwise specified

| Parameter                | Test condition   | Symbol     | Min. | Typ. | Max. | Unit          |
|--------------------------|--|------------|------|------|------|---------------|
| Forward voltage          | $I_F = 5\text{ mA}$  | $V_F$      | 620  |      | 720  | mV            |
|                          | $I_F = 100\text{ mA}$  | $V_F$      |      |      | 1000 | mV            |
| Reverse current          | $V_R = 20\text{ V}$  | $I_R$      |      |      | 25   | nA            |
|                          | $V_R = 20\text{ V}, T_j = 150\text{ }^{\circ}\text{C}$                                     | $I_R$      |      |      | 50   | $\mu\text{A}$ |
|                          | $V_R = 75\text{ V}$  | $I_R$      |      |      | 5    | $\mu\text{A}$ |
| Breakdown voltage        | $I_R = 100\text{ }\mu\text{A}, t_p/T = 0.01,$<br>$t_p = 0.3\text{ ms}$                     | $V_{(BR)}$ | 100  |      |      | V             |
| Diode capacitance        | $V_R = 0, f = 1\text{ MHz}, V_{HF} = 50\text{ mV}$   | $C_D$      |      |      | 4    | pF            |
| Rectification efficiency | $V_{HF} = 2\text{ V}, f = 100\text{ MHz}$  | $\eta_r$   | 45   |      |      | %             |
| Reverse recovery time    | $I_F = I_R = 10\text{ mA}, i_R = 1\text{ mA}$  | $t_{rr}$   |      |      | 8    | ns            |
|                          | $I_F = 10\text{ mA}, V_R = 6\text{ V},$<br>$i_R = 0.1 \times I_R, R_L = 100\text{ }\Omega$ | $t_{rr}$   |      |      | 4    | ns            |

### Typical Characteristics

$T_{amb} = 25\text{ }^{\circ}\text{C}$ , unless otherwise specified

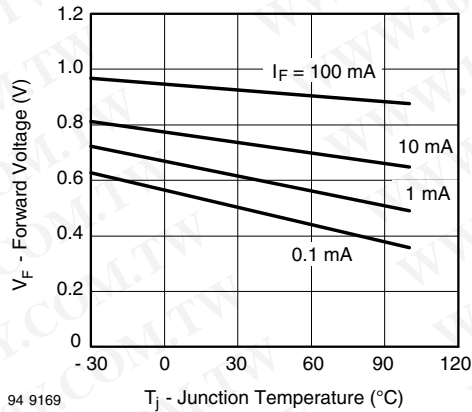


Figure 1. Forward Voltage vs. Junction Temperature

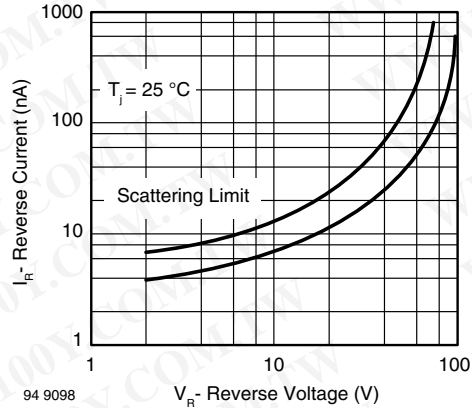


Figure 3. Reverse Current vs. Reverse Voltage

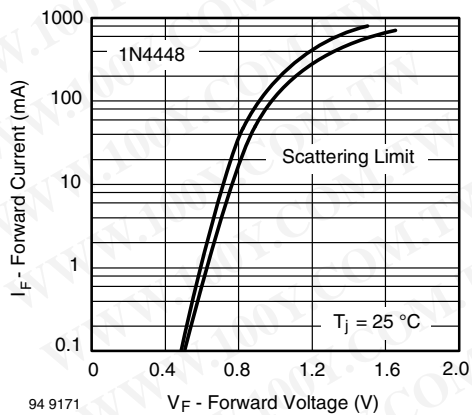
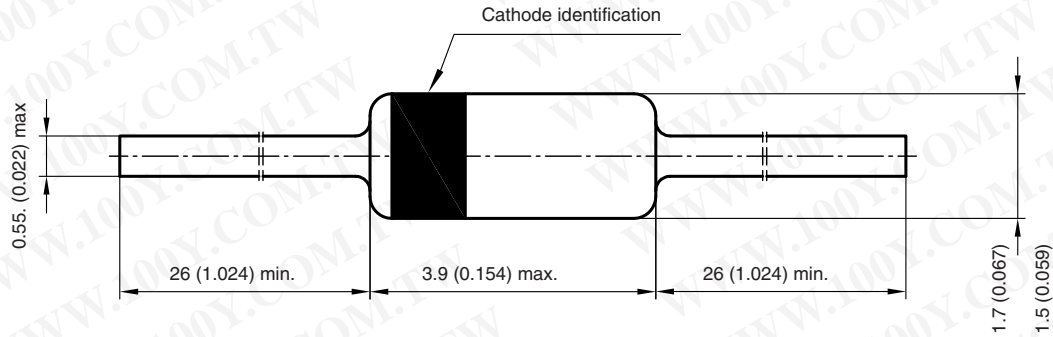


Figure 2. Forward Current vs. Forward Voltage

勝特力材料 886-3-5753170  
 勝特力电子(上海) 86-21-34970699  
 勝特力电子(深圳) 86-755-83298787  
[Http://www.100y.com.tw](http://www.100y.com.tw)

### Package Dimensions in millimeters (inches): DO-35



Rev. 6 - Date: 29. January 2007  
Document no.: 6.560-5004.02-4  
94 9366

勝特力材料 886-3-5753170  
勝特力电子(上海) 86-21-34970699  
勝特力电子(深圳) 86-755-83298787  
[Http://www.100y.com.tw](http://www.100y.com.tw)



## Disclaimer

All product specifications and data are subject to change without notice.

Vishay Intertechnology, Inc., its affiliates, agents, and employees, and all persons acting on its or their behalf (collectively, "Vishay"), disclaim any and all liability for any errors, inaccuracies or incompleteness contained herein or in any other disclosure relating to any product.

Vishay disclaims any and all liability arising out of the use or application of any product described herein or of any information provided herein to the maximum extent permitted by law. The product specifications do not expand or otherwise modify Vishay's terms and conditions of purchase, including but not limited to the warranty expressed therein, which apply to these products.

No license, express or implied, by estoppel or otherwise, to any intellectual property rights is granted by this document or by any conduct of Vishay.

The products shown herein are not designed for use in medical, life-saving, or life-sustaining applications unless otherwise expressly indicated. Customers using or selling Vishay products not expressly indicated for use in such applications do so entirely at their own risk and agree to fully indemnify Vishay for any damages arising or resulting from such use or sale. Please contact authorized Vishay personnel to obtain written terms and conditions regarding products designed for such applications.

Product names and markings noted herein may be trademarks of their respective owners.

勝特力材料 886-3-5753170  
勝特力电子(上海) 86-21-34970699  
勝特力电子(深圳) 86-755-83298787  
[Http://www.100y.com.tw](http://www.100y.com.tw)