

Window Comparator for Over- and Undervoltage Detection

Check for Samples: [TPS3700](#)

FEATURES

- **Wide Supply Voltage Range: 1.8 V to 18 V**
- **Adjustable Threshold: Down to 400 mV**
- **Open-Drain Outputs for Over- and Undervoltage Detection**
- **Low Quiescent Current: 5.5 μ A (typ)**
- **High Threshold Accuracy:**
 - 1.0% Over Temperature
 - 0.25% (typ)
- **Internal Hysteresis: 5.5 mV (typ)**
- **Temperature Range: -40°C to $+125^{\circ}\text{C}$**
- **Packages:**
 - ThinSOT23-6
 - 1,5-mm \times 1,5-mm SON-6

APPLICATIONS

- **Industrial Control Systems**
- **Automotive Systems**
- **Embedded Computing Modules**
- **DSP, Microcontroller, or Microprocessor Applications**
- **Notebook and Desktop Computers**
- **Portable- and Battery-Powered Products**
- **FPGA and ASIC Applications**

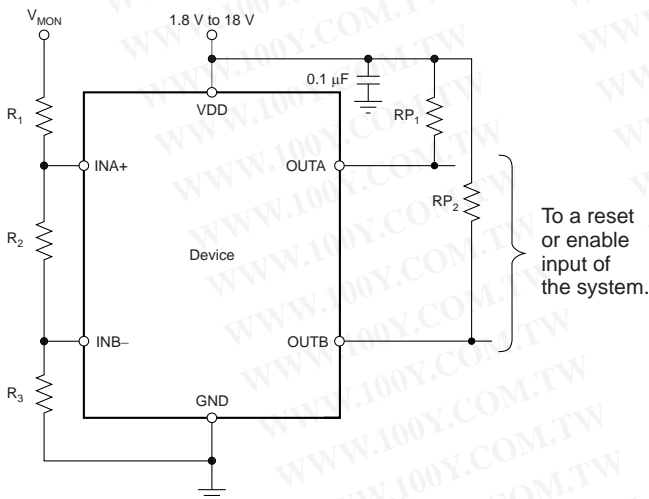


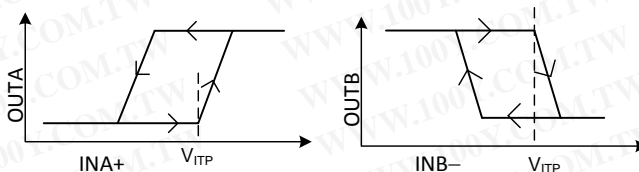
Figure 1. TPS3700 Typical Application

DESCRIPTION

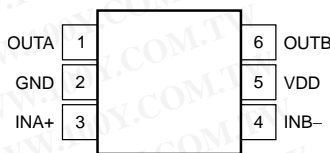
The TPS3700 wide-supply voltage window comparator operates over a 1.8-V to 18-V range. The device has two high-accuracy comparators with an internal 400-mV reference and two open-drain outputs rated to 18 V for over- and undervoltage detection. The TPS3700 can be used as a window comparator or as two independent voltage monitors; the monitored voltage can be set with the use of external resistors.

OUTA is driven low when the voltage at INA+ drops below $(V_{ITP} - V_{HYS})$, and goes high when the voltage returns above the respective threshold (V_{ITP}) . OUTB is driven low when the voltage at INB- rises above V_{ITP} , and goes high when the voltage drops below the respective threshold $(V_{ITP} - V_{HYS})$. Both comparators in the TPS3700 include built-in hysteresis for filtering to reject brief glitches, thereby ensuring stable output operation without false triggering.

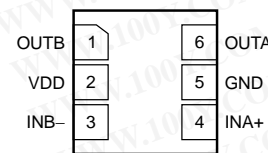
The TPS3700 is available in a ThinSOT23-6 and a 1,5-mm \times 1,5-mm SON-6 package and is specified over the junction temperature range of -40°C to $+125^{\circ}\text{C}$.



**DDC PACKAGE
ThinSOT23-6
(TOP VIEW)**



**DSE PACKAGE
SON-6
(TOP VIEW)**



Please be aware that an important notice concerning availability, standard warranty, and use in critical applications of Texas Instruments semiconductor products and disclaimers thereto appears at the end of this data sheet.

All trademarks are the property of their respective owners.



This integrated circuit can be damaged by ESD. Texas Instruments recommends that all integrated circuits be handled with appropriate precautions. Failure to observe proper handling and installation procedures can cause damage.

ESD damage can range from subtle performance degradation to complete device failure. Precision integrated circuits may be more susceptible to damage because very small parametric changes could cause the device not to meet its published specifications.

ORDERING INFORMATION⁽¹⁾

PRODUCT	DESCRIPTION
TPS3700yyyz	yyy is package designator z is package quantity

- (1) For the most current package and ordering information see the Package Option Addendum at the end of this document, or visit the device product folder at www.ti.com.

ABSOLUTE MAXIMUM RATINGS⁽¹⁾

Over operating free-air temperature range, unless otherwise noted.

		VALUE		UNIT
		MIN	MAX	
Voltage ⁽²⁾	VDD	-0.3	+20	V
	V _{OUTA} , V _{OUTB}	-0.3	+20	V
	V _{INA+} , V _{INB-}	-0.3	+7	V
Current	Output pin current		40	mA
Temperature	Operating junction, T _J	-40	+125	°C
	Storage, T _{stg}	-65	+150	°C
Electrostatic discharge (ESD) rating ⁽³⁾	Human body model (HBM)		2	kV
	Charge device model (CDM)		500	V

- (1) Stresses beyond those listed under *absolute maximum ratings* may cause permanent damage to the device. These are stress ratings only, and functional operation of the device at these or any other conditions beyond those indicated under *recommended operating conditions* is not implied. Exposure to absolute-maximum-rated conditions for extended periods may affect device reliability.
- (2) All voltages are with respect to network ground terminal.
- (3) ESD testing is performed according to the respective JEDEC standard.

THERMAL INFORMATION

THERMAL METRIC ⁽¹⁾	TPS3700		UNITS
	DDC (SOT23)	DSE (SON6)	
	6 PINS	6 PINS	
θ_{JA} Junction-to-ambient thermal resistance	204.6	194.9	°C/W
θ_{JcTop} Junction-to-case (top) thermal resistance	50.5	128.9	
θ_{JB} Junction-to-board thermal resistance	54.3	153.8	
ψ_{JT} Junction-to-top characterization parameter	0.8	11.9	
ψ_{JB} Junction-to-board characterization parameter	52.8	157.4	
θ_{JcBot} Junction-to-case (bottom) thermal resistance	N/A	N/A	

- (1) For more information about traditional and new thermal metrics, see the *IC Package Thermal Metrics* application report, [SPRA953](http://www.ti.com/lit/zip/spra953).

ELECTRICAL CHARACTERISTICS

Over the operating temperature range of $T_J = -40^{\circ}\text{C}$ to $+125^{\circ}\text{C}$, and $1.8\text{ V} < V_{DD} < 18\text{ V}$, unless otherwise noted. Typical values are at $T_J = +25^{\circ}\text{C}$ and $V_{DD} = 5\text{ V}$.

PARAMETER		TEST CONDITIONS	MIN	TYP	MAX	UNIT
V_{DD}	Supply voltage range		1.8		18	V
$V_{(POR)}$	Power-on reset voltage ⁽¹⁾	$V_{OL}(\text{max}) = 0.2\text{ V}$, $I_{(OUT)} = 15\text{ }\mu\text{A}$			0.8	V
V_{ITP}	Positive-going input threshold voltage	$V_{DD} = 1.8\text{ V}$	396	400	404	mV
		$V_{DD} = 18\text{ V}$	396	400	404	mV
V_{ITN}	Negative-going input threshold voltage	$V_{DD} = 1.8\text{ V}$	387	394.5	400	mV
		$V_{DD} = 18\text{ V}$	387	394.5	400	mV
V_{HYS}	Hysteresis voltage ($HYS = V_{ITP} - V_{ITN}$)			5.5	12	mV
I_{IN}	Input current (at IN pin)	$V_{DD} = 1.8\text{ V}$ and 18 V , $V_{IN} = 6.5\text{ V}$	-25	1	25	nA
		$V_{DD} = 1.8\text{ V}$ and 18 V , $V_{IN} = 0.1\text{ V}$	-15	1	15	nA
V_{OL}	Low-level output voltage	$V_{DD} = 1.3\text{ V}$, $I_{OUT} = 0.4\text{ mA}$			250	mV
		$V_{DD} = 1.8\text{ V}$, $I_{OUT} = 3\text{ mA}$			250	mV
		$V_{DD} = 5\text{ V}$, $I_{OUT} = 5\text{ mA}$			250	mV
$I_{lkg(OD)}$	Open-drain output leakage current	$V_{DD} = 1.8\text{ V}$ and 18 V , $V_{OUT} = V_{DD}$			300	nA
		$V_{DD} = 1.8\text{ V}$, $V_{OUT} = 18\text{ V}$			300	nA
$t_{pd(HL)}$	High-to-low propagation delay ⁽²⁾	$V_{DD} = 5\text{ V}$, 10-mV input overdrive, $R_L = 10\text{ k}\Omega$, $V_{OH} = 0.9 \times V_{DD}$, $V_{OL} = 400\text{ mV}$		18		μs
$t_{pd(LH)}$	Low-to-high propagation delay ⁽²⁾	$V_{DD} = 5\text{ V}$, 10-mV input overdrive, $R_L = 10\text{ k}\Omega$, $V_{OH} = 0.9 \times V_{DD}$, $V_{OL} = 400\text{ mV}$		29		μs
t_R	Output rise time	$V_{DD} = 5\text{ V}$, 10-mV input overdrive, $R_L = 10\text{ k}\Omega$, $V_O = (0.1\text{ to }0.9) \times V_{DD}$		2.2		μs
t_F	Output fall time	$V_{DD} = 5\text{ V}$, 10-mV input overdrive, $R_L = 10\text{ k}\Omega$, $V_O = (0.1\text{ to }0.9) \times V_{DD}$		0.22		μs
I_{DD}	Supply current	$V_{DD} = 1.8\text{ V}$, no load		5.5	11	μA
		$V_{DD} = 5\text{ V}$		6	13	μA
		$V_{DD} = 12\text{ V}$		6	13	μA
		$V_{DD} = 18\text{ V}$		7	13	μA
	Startup delay ⁽³⁾			150		μs
UVLO	Undervoltage lockout ⁽⁴⁾	V_{DD} falling	1.3		1.7	V

(1) The lowest supply voltage (V_{DD}) at which output is active; $t_{r(VDD)} > 15\text{ }\mu\text{s/V}$. Below $V_{(POR)}$, the output cannot be determined.

(2) High-to-low and low-to-high refers to the transition at the input pins (INA+ and INB-).

(3) During power on, V_{DD} must exceed 1.8 V for at least 150 μs before the output is in a correct state.

(4) When V_{DD} falls below UVLO, OUTA is driven low and OUTB goes to high impedance. The outputs cannot be determined below $V_{(POR)}$.

PARAMETRIC MEASUREMENT INFORMATION

TIMING DIAGRAM

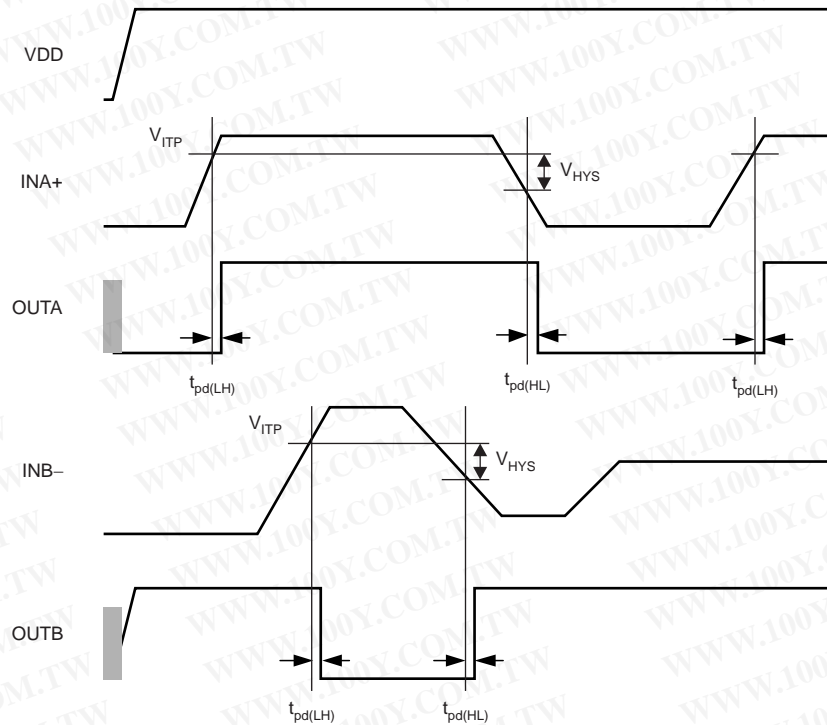
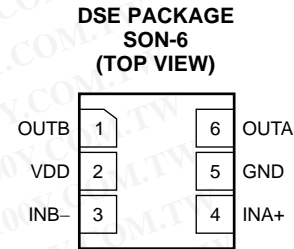
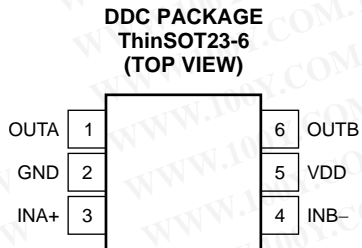


Figure 2. TPS3700 Timing Diagram

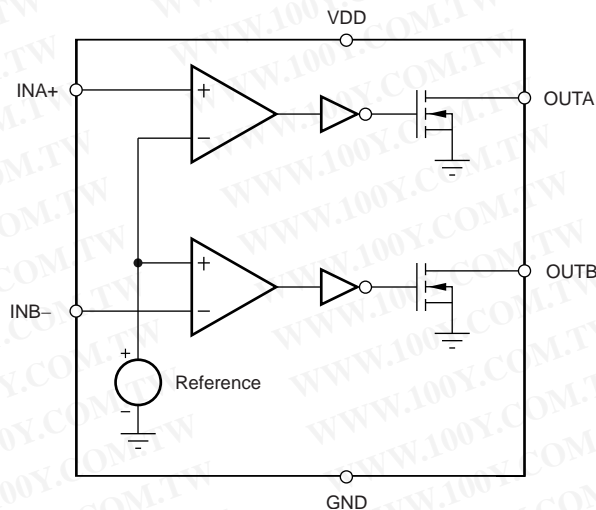
PIN CONFIGURATIONS



PIN ASSIGNMENTS

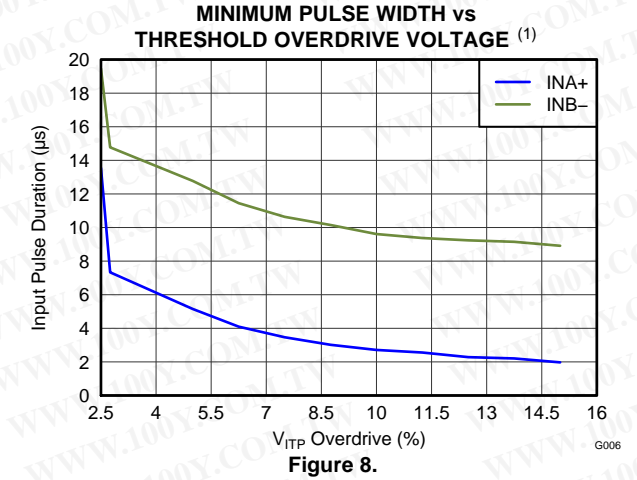
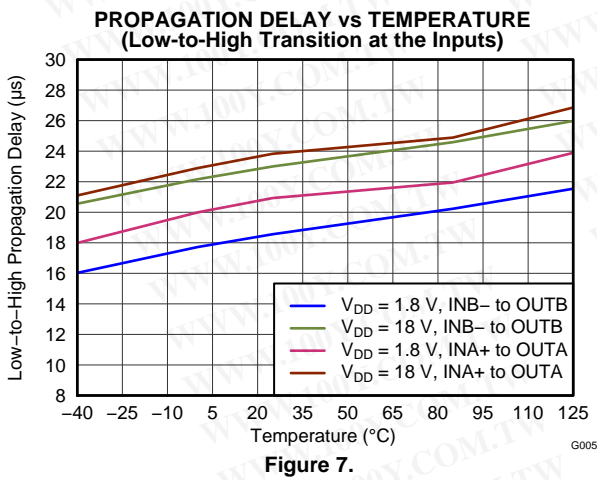
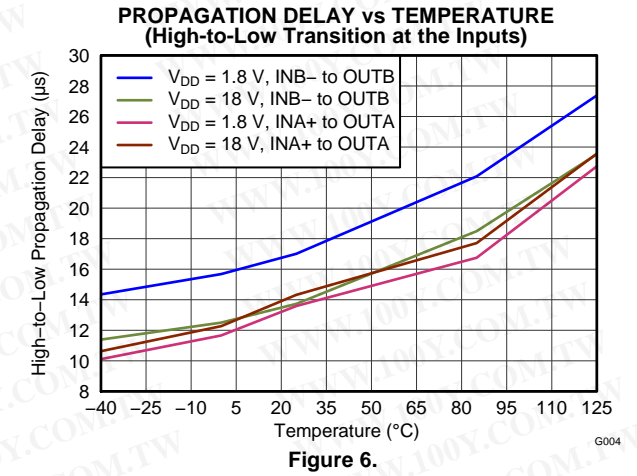
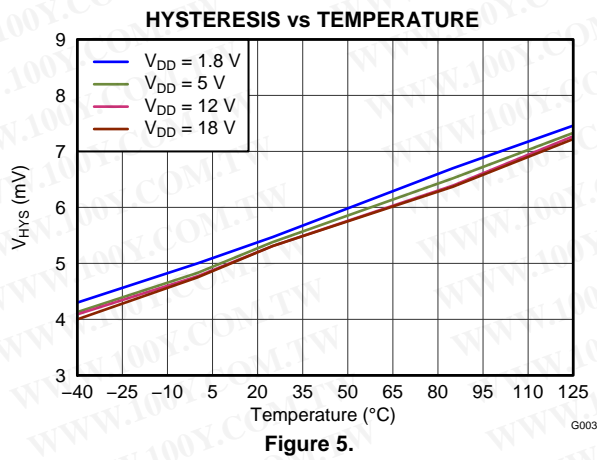
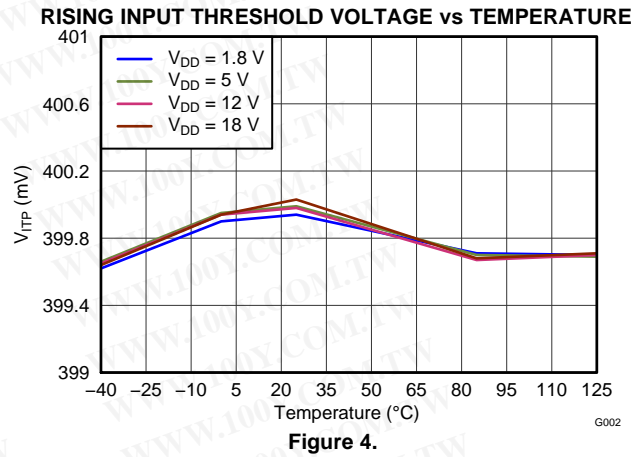
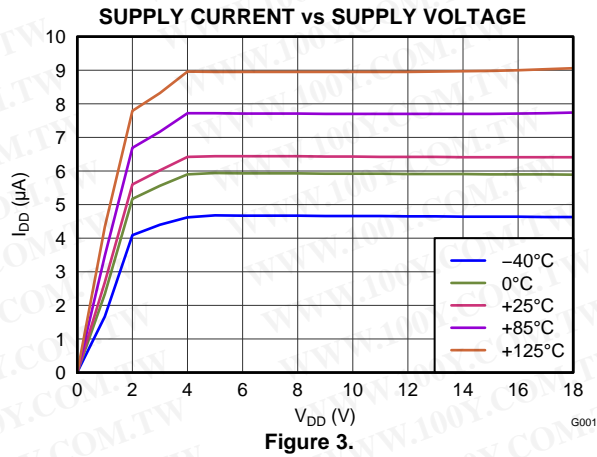
PIN NAME	PIN NO.		DESCRIPTION
	DDC	DSE	
GND	2	5	Ground
INA+	3	4	This pin is connected to the voltage to be monitored with the use of an external resistor divider. When the voltage at this terminal drops below the threshold voltage ($V_{ITP} - V_{HYS}$), OUTA is driven low.
INB-	4	3	This pin is connected to the voltage to be monitored with the use of an external resistor divider. When the voltage at this terminal exceeds the threshold voltage (V_{ITP}), OUTB is driven low.
OUTA	1	6	INA+ comparator open-drain output. OUTA is driven low when the voltage at this comparator is below ($V_{ITP} - V_{HYS}$). The output goes high when the sense voltage returns above the respective threshold (V_{ITP}).
OUTB	6	1	INB- comparator open-drain output. OUTB is driven low when the voltage at this comparator exceeds V_{ITP} . The output goes high when the sense voltage returns below the respective threshold ($V_{ITP} - V_{HYS}$).
VDD	5	2	Supply voltage input. Connect a 1.8-V to 18-V supply to VDD to power the device. It is good analog design practice to place a 0.1- μ F ceramic capacitor close to this pin.

BLOCK DIAGRAM



TYPICAL CHARACTERISTICS

At $T_J = +25^\circ\text{C}$ and $V_{CC} = 5\text{ V}$, unless otherwise noted.



(1) INA+ = negative spike below V_{ITN} and INB- = positive spike above V_{ITP} .

TYPICAL CHARACTERISTICS (continued)

At $T_J = +25^\circ\text{C}$ and $V_{CC} = 5\text{ V}$, unless otherwise noted.

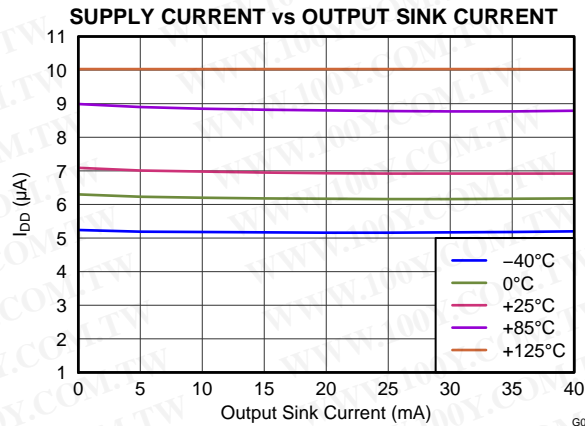


Figure 9.

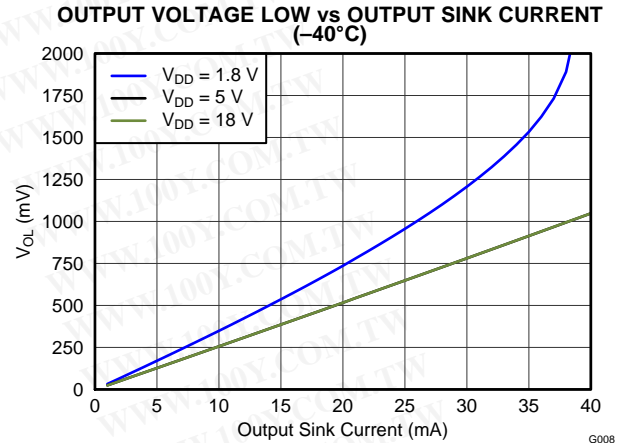


Figure 10.

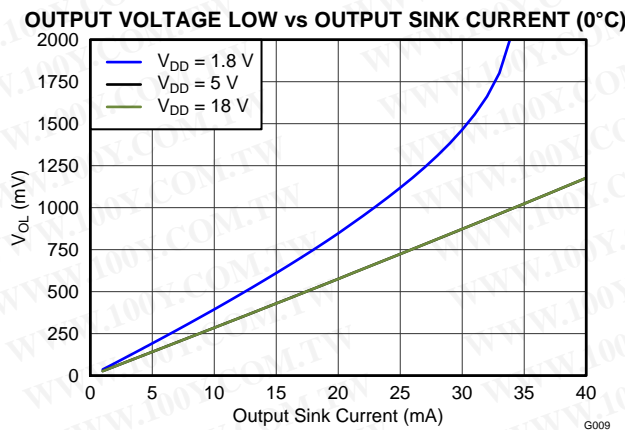


Figure 11.

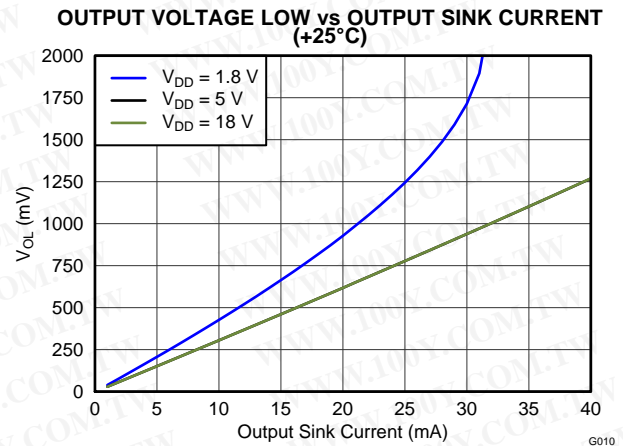


Figure 12.

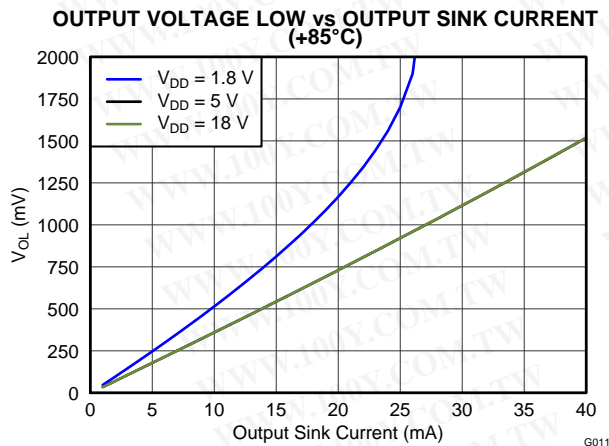


Figure 13.

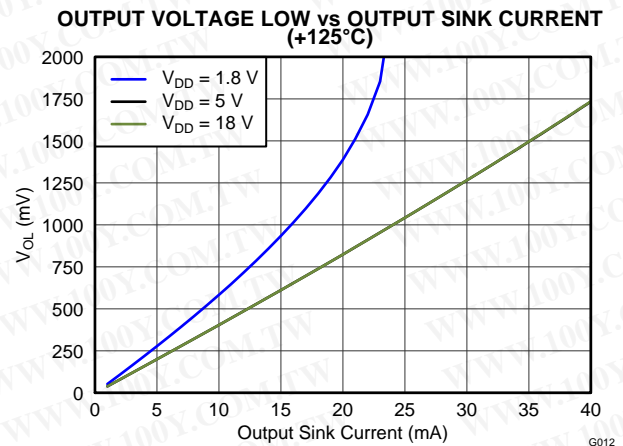
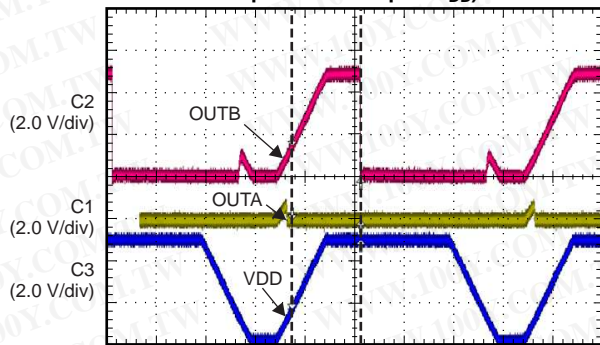


Figure 14.

TYPICAL CHARACTERISTICS (continued)

At $T_J = +25^\circ\text{C}$ and $V_{CC} = 5\text{ V}$, unless otherwise noted.

STARTUP DELAY
 ($V_{DD} = 5\text{ V}$, $\text{INA}^+ = 390\text{ mV}$, $\text{INB}^- = 410\text{ mV}$,
 Outputs Pulled Up to V_{DD})

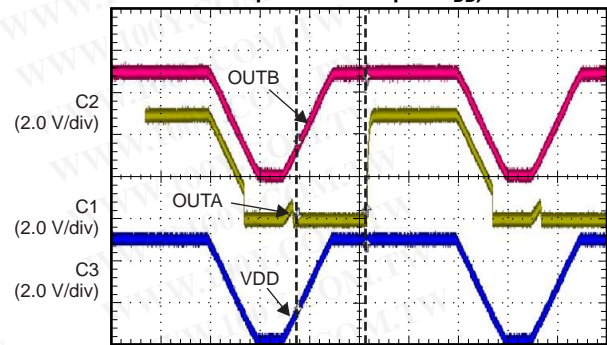


Time (100 $\mu\text{s}/\text{div}$)

Figure 15.

G013

STARTUP DELAY
 ($V_{DD} = 5\text{ V}$, $\text{INA}^+ = 410\text{ mV}$, $\text{INB}^- = 390\text{ mV}$,
 Outputs Pulled Up to V_{DD})



Time (100 $\mu\text{s}/\text{div}$)

Figure 16.

G014

GENERAL DESCRIPTION

The TPS3700 combines two comparators for over- and undervoltage detection. The TPS3700 is a wide-supply voltage range (1.8 V to 18 V) device with a high-accuracy rising input threshold of 400 mV (1% over temperature) and built-in hysteresis. The outputs are also rated to 18 V and can sink up to 40 mA.

The TPS3700 is designed to assert the output signals, as shown in [Table 1](#). Each input pin can be set to monitor any voltage above 0.4 V using an external resistor divider network. With the use of two input pins of different polarities, the TPS3700 forms a window comparator. Broad voltage thresholds can be supported that allow the device to be used in a wide array of applications.

Table 1. TPS3700 Truth Table

CONDITION	OUTPUT	STATUS
$INA+ > V_{ITP}$	OUTA high	Output A not asserted
$INA+ < V_{ITN}$	OUTA low	Output A asserted
$INB- > V_{ITP}$	OUTB low	Output B asserted
$INB- < V_{ITN}$	OUTB high	Output B not asserted

INPUTS (INA+, INB-)

The TPS3700 combines two comparators. Each comparator has one external input (inverting and noninverting); the other input is connected to the internal reference. The comparator rising threshold is designed and trimmed to be equal to the reference voltage (400 mV). Both comparators also have a built-in falling hysteresis that makes the device immune to supply rail noise and ensures stable operation.

The comparator inputs can swing from ground to 6.5 V, regardless of the device supply voltage used. Although not required in most cases, it is good analog design practice to place a 1-nF to 10-nF bypass capacitor at the comparator input for extremely noisy applications in order to reduce sensitivity to transients and layout parasitics.

For comparator A, the corresponding output (OUTA) is driven to logic low when the input INA+ voltage drops below ($V_{ITP} - V_{HYS}$). When the voltage exceeds V_{ITP} , the output (OUTA) goes to a high-impedance state; see [Figure 2](#).

For comparator B, the corresponding output (OUTB) is driven to logic low when the voltage at input INB- exceeds V_{ITP} . When the voltage drops below $V_{ITP} - V_{HYS}$ the output (OUTB) goes to a high-impedance state; see [Figure 2](#). Together, these comparators form a window-detection function as discussed in the [Window Comparator](#) section.

OUTPUTS (OUTA, OUTB)

In a typical TPS3700 application, the outputs are connected to a reset or enable input of the processor [such as a digital signal processor (DSP), central processing unit (CPU), field-programmable gate array (FPGA), or application-specific integrated circuit (ASIC)] or the outputs are connected to the enable input of a voltage regulator [such as a dc-dc or low-dropout regulator (LDO)].

The TPS3700 provides two open-drain outputs (OUTA and OUTB); pull-up resistors must be used to hold these lines high when the output goes to high impedance (not asserted). By connecting pull-up resistors to the proper voltage rails, the outputs can be connected to other devices at correct interface voltage levels. The TPS3700 outputs can be pulled up to 18 V, independent of the device supply voltage. To ensure proper voltage levels, some thought should be given while choosing the pull-up resistor values. The pull-up resistor value is determined by V_{OL} , sink current capability, and output leakage current ($I_{kq(OD)}$). These values are specified in the [Electrical Characteristics](#) table. By using wired-AND logic, OUTA and OUTB can be merged into one logic signal.

[Table 1](#) and the [Inputs](#) section describe how the outputs are asserted or de-asserted. Refer to [Figure 2](#) for a timing diagram that describes the relationship between threshold voltages and the respective output.

WINDOW COMPARATOR

The inverting and noninverting configuration of the comparators forms a window-comparator detection circuit using a resistor divider network, as shown in Figure 17 and Figure 18. The input pins can monitor any system voltage above 400 mV with the use of a resistor divider network. INA+ and INB- monitor for undervoltage and overvoltage conditions, respectively.

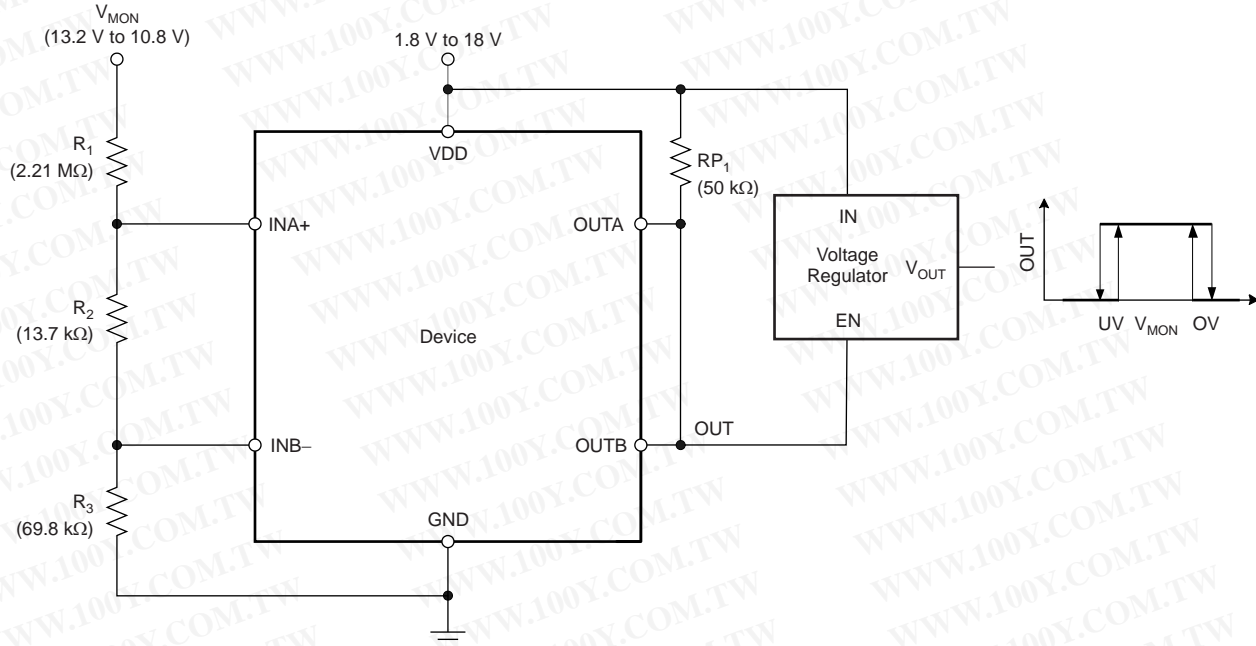


Figure 17. Window Comparator Block Diagram

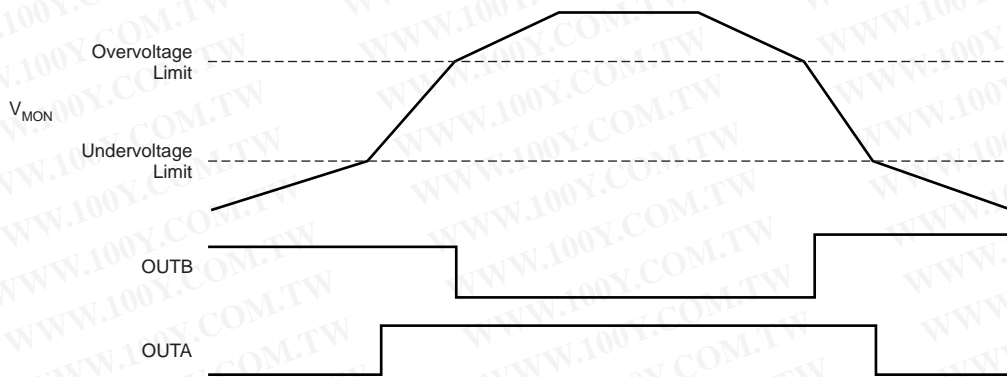


Figure 18. Window Comparator Timing Diagram

The resistor divider values and target threshold voltage can be calculated by using [Equation 1](#) through [Equation 4](#):

$$R_{\text{TOTAL}} = R_1 + R_2 + R_3 \quad (1)$$

Choose R_{TOTAL} such that current through the divider is approximately 100x higher than the input current at the INA+ and INB– pins. The resistors can have high values to minimize current consumption as a result of low input bias current without adding significant error to the resistive divider. Refer to application note [Optimizing Resistor Dividers at a Comparator Input \(SLVA450\)](#) for details on sizing input resistors.

R_3 is determined by [Equation 2](#):

$$R_3 = \frac{R_{\text{TOTAL}}}{V_{\text{MON(OV)}}} \times V_{\text{ITP}}$$

where:

$$V_{\text{MON(OV)}} \text{ is the target voltage at which an overvoltage condition is detected} \quad (2)$$

R_2 is determined by either [Equation 3](#) or [Equation 4](#):

$$R_2 = \left[\frac{R_{\text{TOTAL}}}{V_{\text{MON(no UV)}}} \times V_{\text{ITP}} \right] - R_3$$

where:

$$V_{\text{MON(no UV)}} \text{ is the target voltage at which an undervoltage condition is removed as } V_{\text{MON}} \text{ rises} \quad (3)$$

$$R_2 = \left[\frac{R_{\text{TOTAL}}}{V_{\text{MON(UV)}}} \times (V_{\text{ITP}} - V_{\text{HYS}}) \right] - R_3$$

where:

$$V_{\text{MON(UV)}} \text{ is the target voltage at which an undervoltage condition is detected} \quad (4)$$

For more application information on the TPS3700, refer to [Figure 19](#) through [Figure 22](#).

IMMUNITY TO INPUT PIN VOLTAGE TRANSIENTS

The TPS3700 is relatively immune to short voltage transient spikes on the input pins. Sensitivity to transients is dependent on both transient duration and amplitude; refer to the Typical Characteristics curve, *Minimum Pulse Width vs Threshold Overdrive Voltage* ([Figure 8](#)).

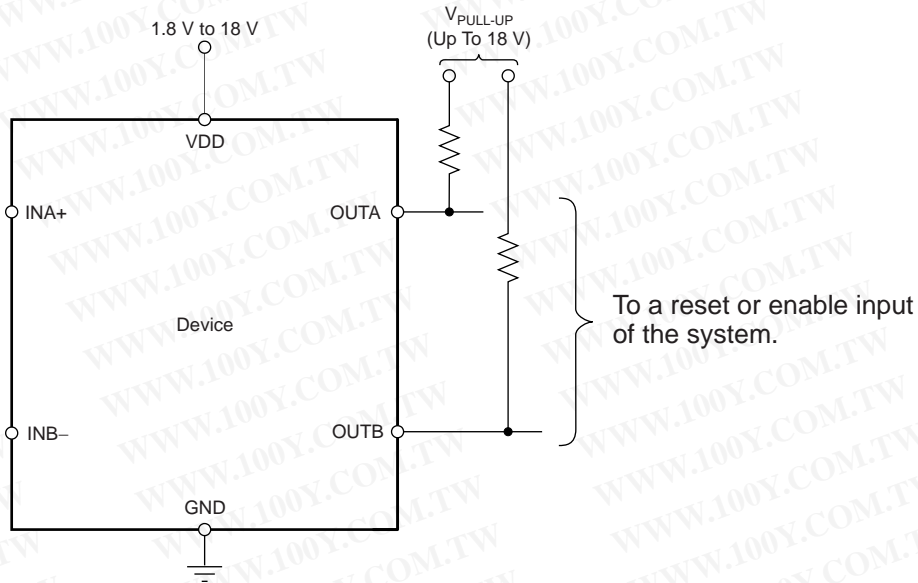


Figure 19. Interfacing to Voltages Other Than V_{DD}

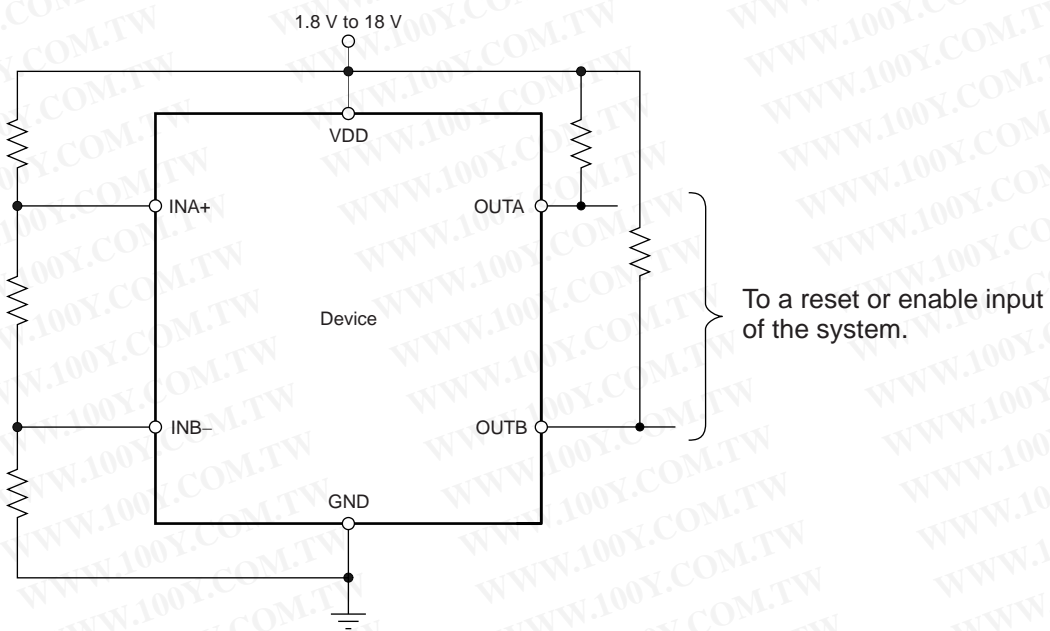
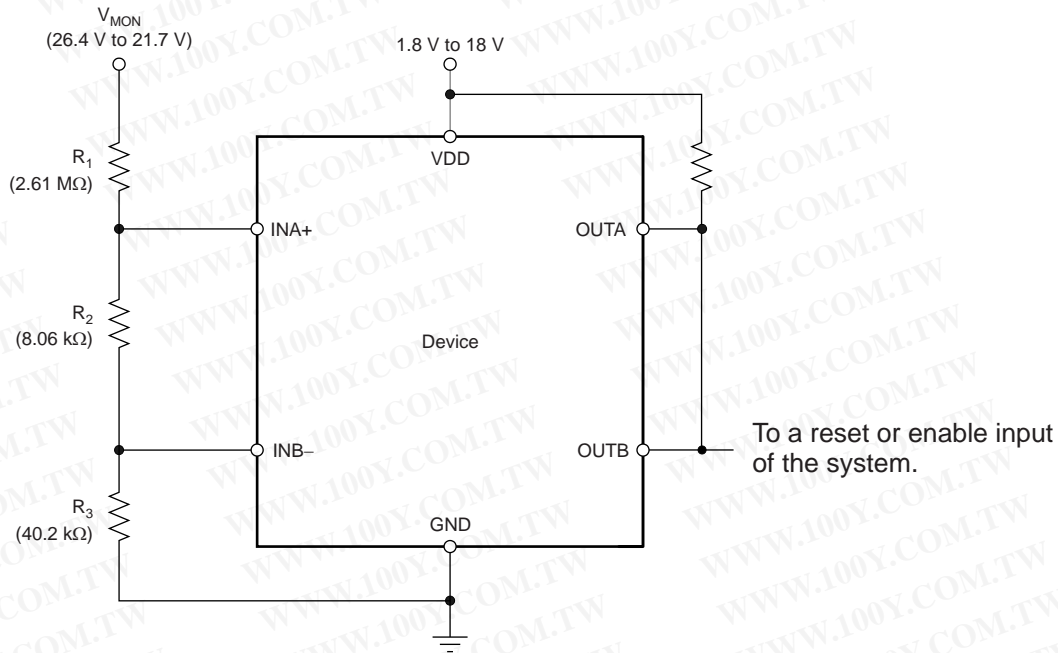
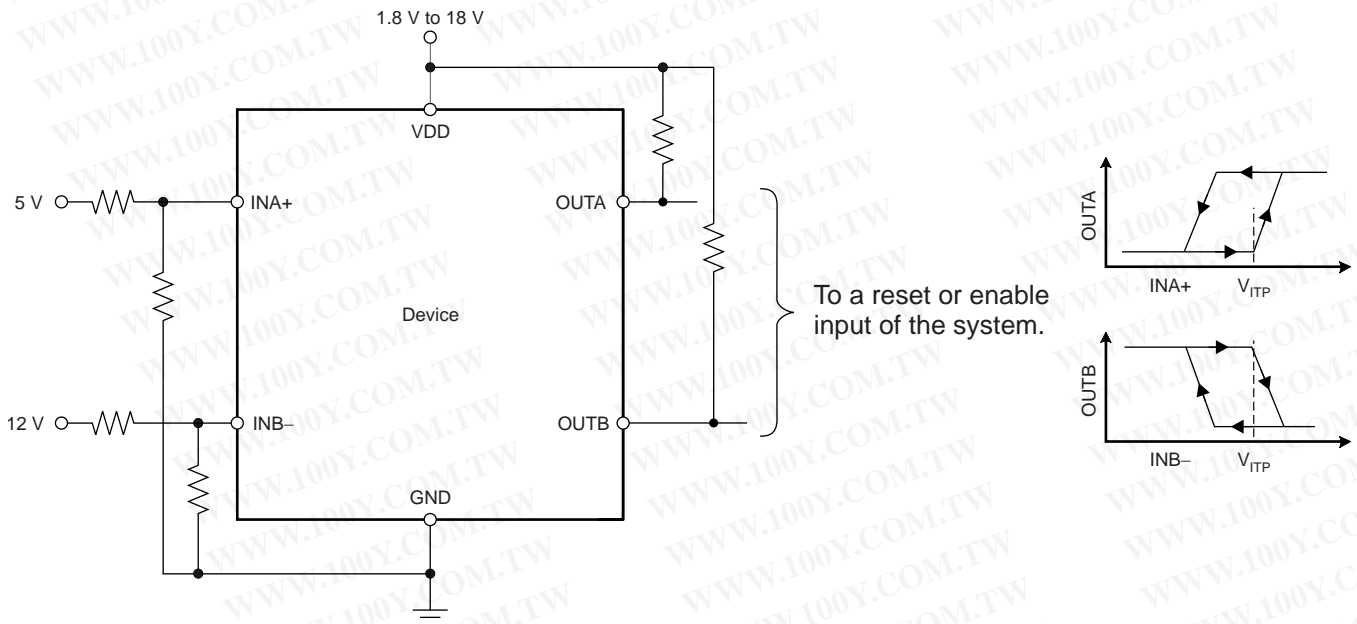


Figure 20. Monitoring the Same Voltage as V_{DD}



NOTE: The inputs can monitor a voltage higher than V_{DD} (max) with the use of an external resistor divider network.

Figure 21. Monitoring a Voltage Other Than V_{DD}



NOTE: In this case, OUTA is driven low when an undervoltage condition is detected at the 5-V rail and OUTB is driven low when an overvoltage condition is detected at the 12-V rail.

Figure 22. Monitoring Overvoltage for One Rail and Undervoltage for a Different Rail

REVISION HISTORY

NOTE: Page numbers for previous revisions may differ from page numbers in the current version.

Changes from Revision B (April 2012) to Revision C Page

• Changed <i>Packages</i> Features bullet	1
• Added SON-6 package option to Description section	1
• Added DSE pin out graphic to front page	1
• Added DSE package to Thermal Information table	2
• Added DSE pin out graphic	5

Changes from Revision A (February 2012) to Revision B Page

• Moved to Production Data	1
----------------------------------	---

PACKAGING INFORMATION

Orderable Device	Status (1)	Package Type	Package Drawing	Pins	Package Qty	Eco Plan (2)	Lead/Ball Finish	MSL Peak Temp (3)	Op Temp (°C)	Device Marking (4/5)	Samples
TPS3700DDCR	ACTIVE	SOT	DDC	6	3000	Green (RoHS & no Sb/Br)	CU NIPDAU	Level-2-260C-1 YEAR	-40 to 125	PXVQ	Samples
TPS3700DDCR2	ACTIVE	SOT	DDC	6	3000	Green (RoHS & no Sb/Br)	CU NIPDAU	Level-2-260C-1 YEAR	-40 to 125	PB4Q	Samples
TPS3700DDCT	ACTIVE	SOT	DDC	6	250	Green (RoHS & no Sb/Br)	CU NIPDAU	Level-2-260C-1 YEAR	-40 to 125	PXVQ	Samples
TPS3700DSER	ACTIVE	WSON	DSE	6	3000	Green (RoHS & no Sb/Br)	CU NIPDAU	Level-1-260C-UNLIM	-40 to 125	BE	Samples
TPS3700DSET	ACTIVE	WSON	DSE	6	250	Green (RoHS & no Sb/Br)	CU NIPDAU	Level-1-260C-UNLIM	-40 to 125	BE	Samples

(1) The marketing status values are defined as follows:

ACTIVE: Product device recommended for new designs.

LIFEBUY: TI has announced that the device will be discontinued, and a lifetime-buy period is in effect.

NRND: Not recommended for new designs. Device is in production to support existing customers, but TI does not recommend using this part in a new design.

PREVIEW: Device has been announced but is not in production. Samples may or may not be available.

OBSOLETE: TI has discontinued the production of the device.

(2) Eco Plan - The planned eco-friendly classification: Pb-Free (RoHS), Pb-Free (RoHS Exempt), or Green (RoHS & no Sb/Br) - please check <http://www.ti.com/productcontent> for the latest availability information and additional product content details.

TBD: The Pb-Free/Green conversion plan has not been defined.

Pb-Free (RoHS): TI's terms "Lead-Free" or "Pb-Free" mean semiconductor products that are compatible with the current RoHS requirements for all 6 substances, including the requirement that lead not exceed 0.1% by weight in homogeneous materials. Where designed to be soldered at high temperatures, TI Pb-Free products are suitable for use in specified lead-free processes.

Pb-Free (RoHS Exempt): This component has a RoHS exemption for either 1) lead-based flip-chip solder bumps used between the die and package, or 2) lead-based die adhesive used between the die and leadframe. The component is otherwise considered Pb-Free (RoHS compatible) as defined above.

Green (RoHS & no Sb/Br): TI defines "Green" to mean Pb-Free (RoHS compatible), and free of Bromine (Br) and Antimony (Sb) based flame retardants (Br or Sb do not exceed 0.1% by weight in homogeneous material)

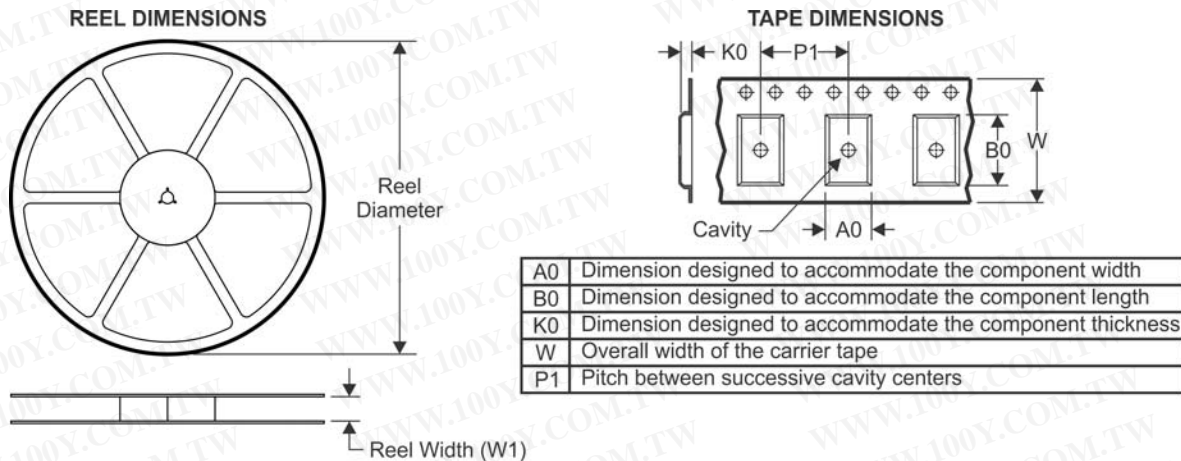
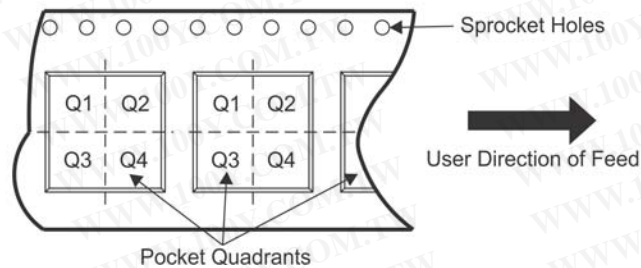
(3) MSL, Peak Temp. -- The Moisture Sensitivity Level rating according to the JEDEC industry standard classifications, and peak solder temperature.

(4) There may be additional marking, which relates to the logo, the lot trace code information, or the environmental category on the device.

(5) Multiple Device Markings will be inside parentheses. Only one Device Marking contained in parentheses and separated by a "~" will appear on a device. If a line is indented then it is a continuation of the previous line and the two combined represent the entire Device Marking for that device.

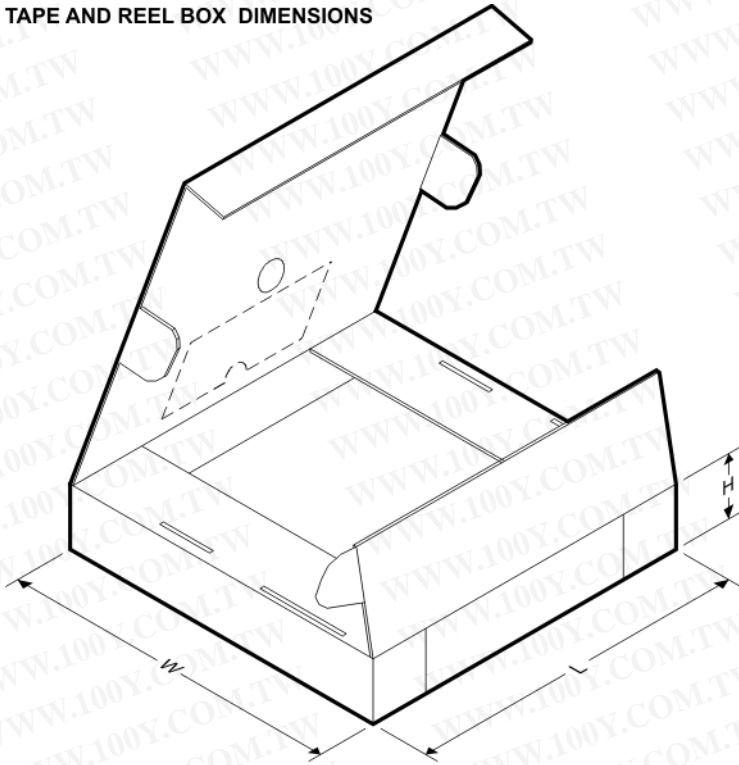
Important Information and Disclaimer: The information provided on this page represents TI's knowledge and belief as of the date that it is provided. TI bases its knowledge and belief on information provided by third parties, and makes no representation or warranty as to the accuracy of such information. Efforts are underway to better integrate information from third parties. TI has taken and continues to take reasonable steps to provide representative and accurate information but may not have conducted destructive testing or chemical analysis on incoming materials and chemicals. TI and TI suppliers consider certain information to be proprietary, and thus CAS numbers and other limited information may not be available for release.

In no event shall TI's liability arising out of such information exceed the total purchase price of the TI part(s) at issue in this document sold by TI to Customer on an annual basis.

TAPE AND REEL INFORMATION

QUADRANT ASSIGNMENTS FOR PIN 1 ORIENTATION IN TAPE


*All dimensions are nominal

Device	Package Type	Package Drawing	Pins	SPQ	Reel Diameter (mm)	Reel Width W1 (mm)	A0 (mm)	B0 (mm)	K0 (mm)	P1 (mm)	W (mm)	Pin1 Quadrant
TPS3700DDCR	SOT	DDC	6	3000	179.0	8.4	3.2	3.2	1.4	4.0	8.0	Q3
TPS3700DDCR2	SOT	DDC	6	3000	179.0	8.4	3.2	3.2	1.4	4.0	8.0	Q2
TPS3700DDCT	SOT	DDC	6	250	179.0	8.4	3.2	3.2	1.4	4.0	8.0	Q3
TPS3700DSER	WSON	DSE	6	3000	179.0	8.4	1.8	1.8	1.0	4.0	8.0	Q2
TPS3700DSET	WSON	DSE	6	250	179.0	8.4	1.8	1.8	1.0	4.0	8.0	Q2

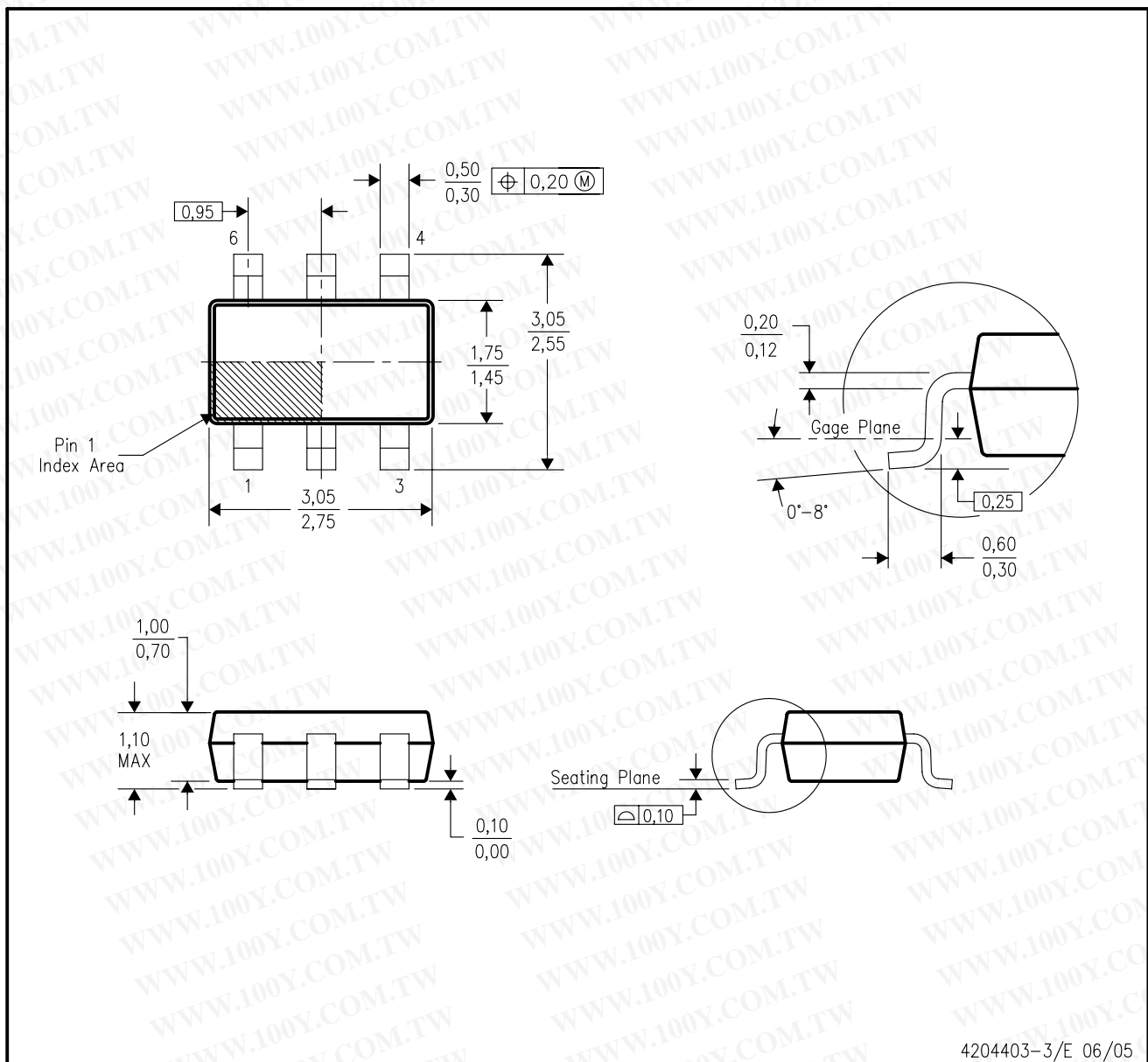
TAPE AND REEL BOX DIMENSIONS


*All dimensions are nominal

Device	Package Type	Package Drawing	Pins	SPQ	Length (mm)	Width (mm)	Height (mm)
TPS3700DDCR	SOT	DDC	6	3000	195.0	200.0	45.0
TPS3700DDCR2	SOT	DDC	6	3000	195.0	200.0	45.0
TPS3700DDCT	SOT	DDC	6	250	195.0	200.0	45.0
TPS3700DSE	WSON	DSE	6	3000	203.0	203.0	35.0
TPS3700DSET	WSON	DSE	6	250	203.0	203.0	35.0

DDC (R-PDSO-G6)

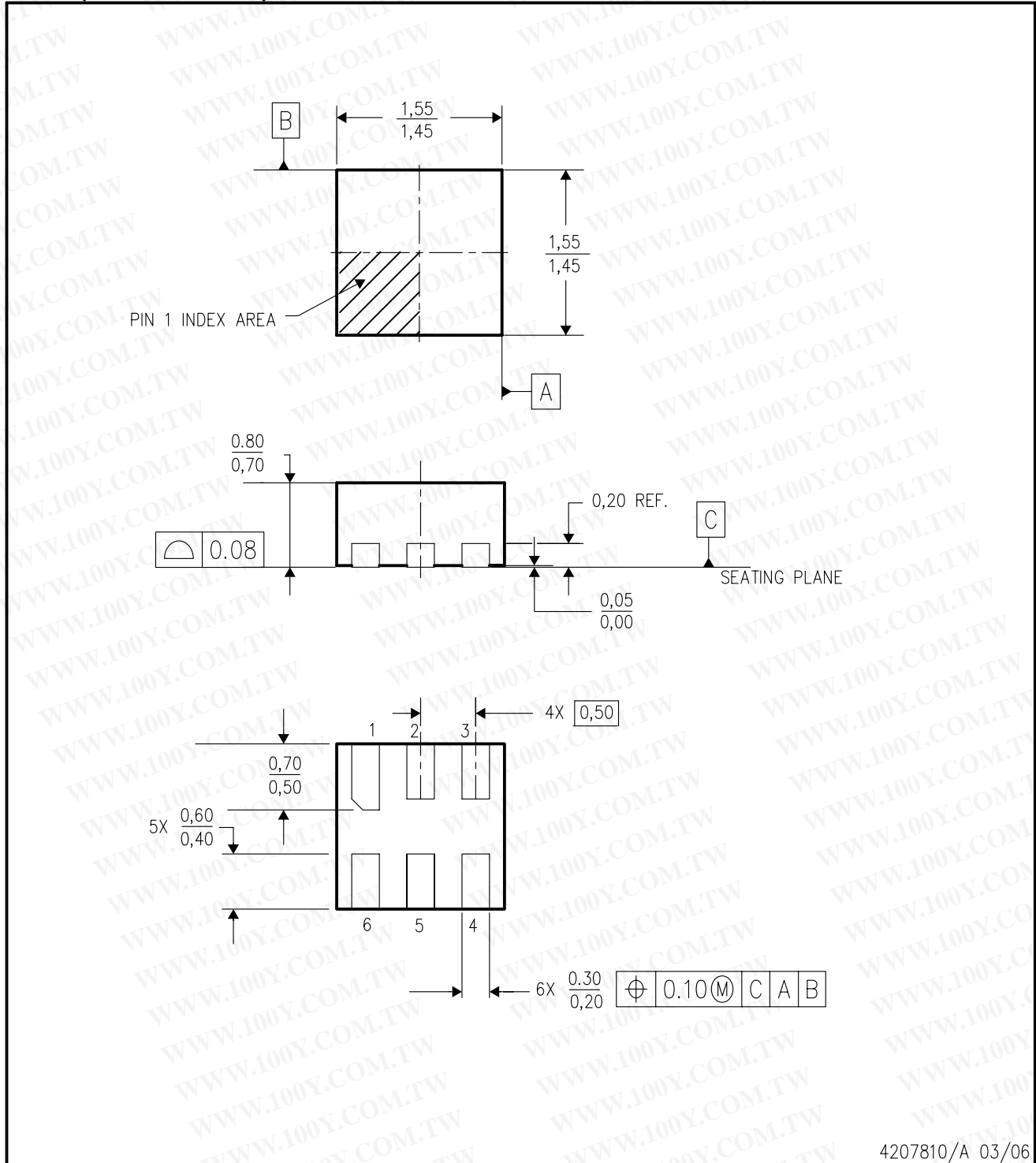
PLASTIC SMALL-OUTLINE



- NOTES:
- All linear dimensions are in millimeters.
 - This drawing is subject to change without notice.
 - Body dimensions do not include mold flash or protrusion.
 - Falls within JEDEC MO-193 variation AA (6 pin).

DSE (S-PDSO-N6)

PLASTIC SMALL OUTLINE



- NOTES:
- A. All linear dimensions are in millimeters.
 - B. This drawing is subject to change without notice.
 - C. Small Outline No-Lead (SON) package configuration.
 - D. This package is lead-free.

勝特力材料 886-3-5753170
勝特力电子(上海) 86-21-34970699
勝特力电子(深圳) 86-755-83298787
Http://www.100y.com.tw

IMPORTANT NOTICE

Texas Instruments Incorporated and its subsidiaries (TI) reserve the right to make corrections, enhancements, improvements and other changes to its semiconductor products and services per JESD46, latest issue, and to discontinue any product or service per JESD48, latest issue. Buyers should obtain the latest relevant information before placing orders and should verify that such information is current and complete. All semiconductor products (also referred to herein as "components") are sold subject to TI's terms and conditions of sale supplied at the time of order acknowledgment.

TI warrants performance of its components to the specifications applicable at the time of sale, in accordance with the warranty in TI's terms and conditions of sale of semiconductor products. Testing and other quality control techniques are used to the extent TI deems necessary to support this warranty. Except where mandated by applicable law, testing of all parameters of each component is not necessarily performed.

TI assumes no liability for applications assistance or the design of Buyers' products. Buyers are responsible for their products and applications using TI components. To minimize the risks associated with Buyers' products and applications, Buyers should provide adequate design and operating safeguards.

TI does not warrant or represent that any license, either express or implied, is granted under any patent right, copyright, mask work right, or other intellectual property right relating to any combination, machine, or process in which TI components or services are used. Information published by TI regarding third-party products or services does not constitute a license to use such products or services or a warranty or endorsement thereof. Use of such information may require a license from a third party under the patents or other intellectual property of the third party, or a license from TI under the patents or other intellectual property of TI.

Reproduction of significant portions of TI information in TI data books or data sheets is permissible only if reproduction is without alteration and is accompanied by all associated warranties, conditions, limitations, and notices. TI is not responsible or liable for such altered documentation. Information of third parties may be subject to additional restrictions.

Resale of TI components or services with statements different from or beyond the parameters stated by TI for that component or service voids all express and any implied warranties for the associated TI component or service and is an unfair and deceptive business practice. TI is not responsible or liable for any such statements.

Buyer acknowledges and agrees that it is solely responsible for compliance with all legal, regulatory and safety-related requirements concerning its products, and any use of TI components in its applications, notwithstanding any applications-related information or support that may be provided by TI. Buyer represents and agrees that it has all the necessary expertise to create and implement safeguards which anticipate dangerous consequences of failures, monitor failures and their consequences, lessen the likelihood of failures that might cause harm and take appropriate remedial actions. Buyer will fully indemnify TI and its representatives against any damages arising out of the use of any TI components in safety-critical applications.

In some cases, TI components may be promoted specifically to facilitate safety-related applications. With such components, TI's goal is to help enable customers to design and create their own end-product solutions that meet applicable functional safety standards and requirements. Nonetheless, such components are subject to these terms.

No TI components are authorized for use in FDA Class III (or similar life-critical medical equipment) unless authorized officers of the parties have executed a special agreement specifically governing such use.

Only those TI components which TI has specifically designated as military grade or "enhanced plastic" are designed and intended for use in military/aerospace applications or environments. Buyer acknowledges and agrees that any military or aerospace use of TI components which have **not** been so designated is solely at the Buyer's risk, and that Buyer is solely responsible for compliance with all legal and regulatory requirements in connection with such use.

TI has specifically designated certain components as meeting ISO/TS16949 requirements, mainly for automotive use. In any case of use of non-designated products, TI will not be responsible for any failure to meet ISO/TS16949.

Products

Audio	www.ti.com/audio
Amplifiers	amplifier.ti.com
Data Converters	dataconverter.ti.com
DLP® Products	www.dlp.com
DSP	dsp.ti.com
Clocks and Timers	www.ti.com/clocks
Interface	interface.ti.com
Logic	logic.ti.com
Power Mgmt	power.ti.com
Microcontrollers	microcontroller.ti.com
RFID	www.ti-rfid.com
OMAP Applications Processors	www.ti.com/omap
Wireless Connectivity	www.ti.com/wirelessconnectivity

Applications

Automotive and Transportation	www.ti.com/automotive
Communications and Telecom	www.ti.com/communications
Computers and Peripherals	www.ti.com/computers
Consumer Electronics	www.ti.com/consumer-apps
Energy and Lighting	www.ti.com/energy
Industrial	www.ti.com/industrial
Medical	www.ti.com/medical
Security	www.ti.com/security
Space, Avionics and Defense	www.ti.com/space-avionics-defense
Video and Imaging	www.ti.com/video

TI E2E Community

e2e.ti.com

Mailing Address: Texas Instruments, Post Office Box 655303, Dallas, Texas 75265
Copyright © 2013, Texas Instruments Incorporated