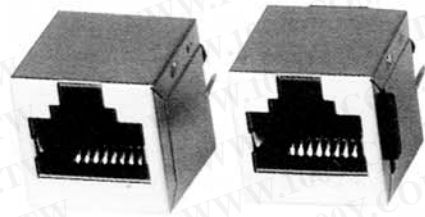


Top Entry Shielded Modular Jack 180°(330S/ 10P8C)

Electrical:

- Current Rating: 1.5 AMP
- Voltage Rating: 150 VAC
- Contact Resistance: 20m MAX
- Insulation Resistance: 500m MIN
- Dielectric Withstanding Voltage: 1000 VAC, 1 min

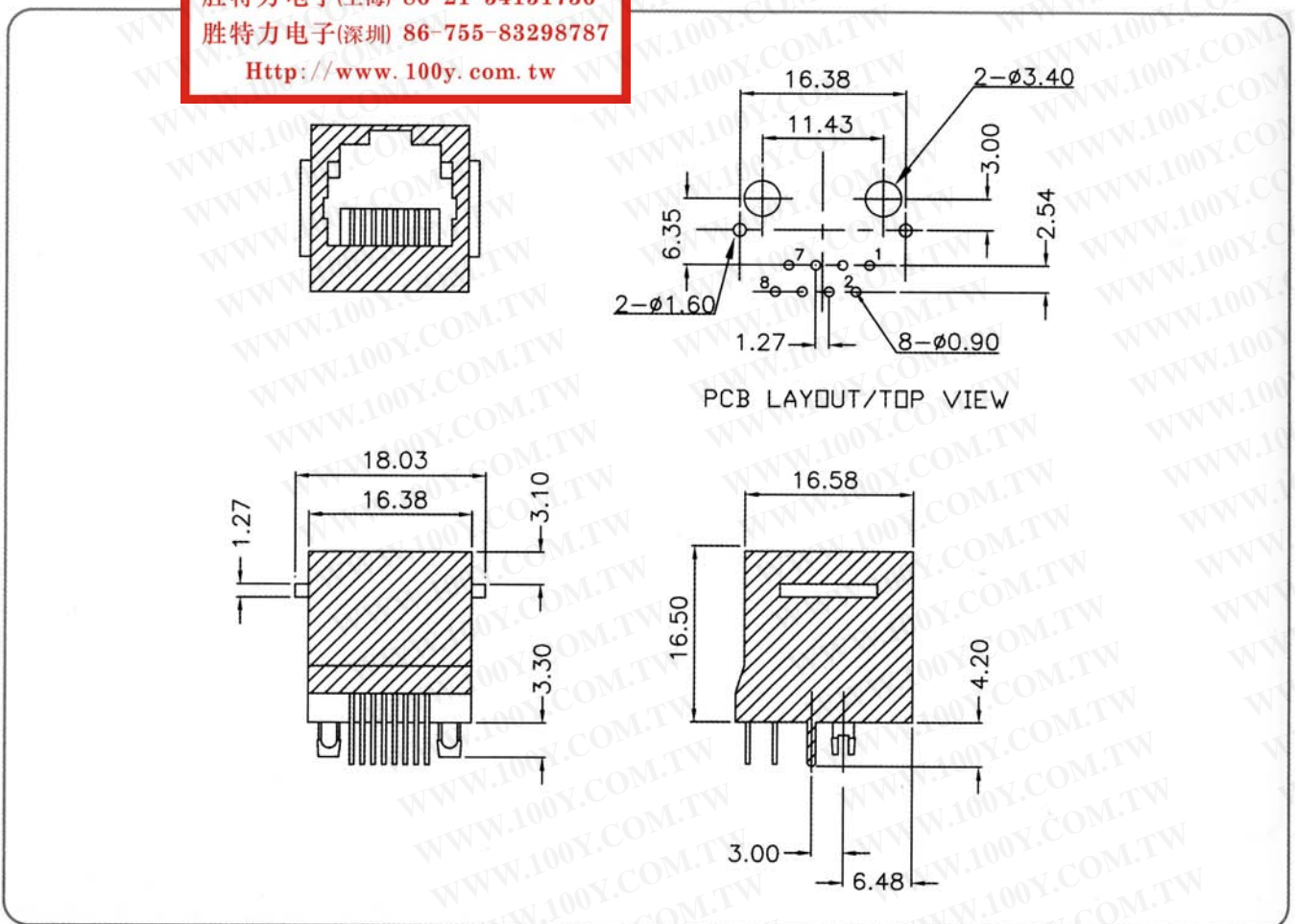


Mechanical:

- Housing: PBT Polyester UL 94V-0
- Color: Black
- Contacts: 0.35 thickness alloy selective gold plating
- Shield: 0.25mm thickness copper alloy with Tin/ Nickel plated

Drawing:

勝特力材料 886-3-5753170
 勝特力电子(上海) 86-21-54151736
 勝特力电子(深圳) 86-755-83298787
[Http://www.100y.com.tw](http://www.100y.com.tw)



Order Information:

330S - 10 X X 2 - 1 1 X X

- | | |
|---|---|
| <p>No of Positions:</p> <p>No of Contacts: 2, 4, 6, 8, 10</p> <p>Gold Plating: 2: 6μ"; 3: 15μ"; 4: 30μ"; 5: 50μ"</p> | <p>Panel Stop: 0: w/o Panel Stop 1: w/ Panel Stop</p> <p>Grounding Pegs: 3: Rear 3.05 4: Front 3.05</p> |
|---|---|

| REVISION RECORD | | | | |
|-----------------|-----|-------------|------|------|
| REV | ECN | DESCRIPTION | DRFT | CHKD |
| | | | | |

NOTES:

MATERIAL:

- HOUSING MATERIAL : GLASS FILLED POLYESTER UL94V-0.
- CONTACT MATERIAL : PHOSPHOR BRONZE $\phi = 0.46\text{mm}$.
- PLATING : SELECTING GOLD PLATING 3u"~50u" OVER NICKEL.
- SHIELD : 0.20mm THICKNESS COPPER ALLOY WITH NICKEL PLATED

ELECTRICAL:

- VOLTAGE RATING : 125 VAC RMS.
- CURRENT RATING : 1.5 AMP.
- CONTACT RESISTANCE : 30 MILLIOHMS MAX.
- INSULATION RESISTANCE : 500 MEGOHMS MIN @ 500V DC .
- DIELECTRIC WITHSTANDING RESISTANCE : 1000V AC RMS 50HZ, 1MIN.

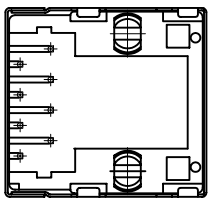
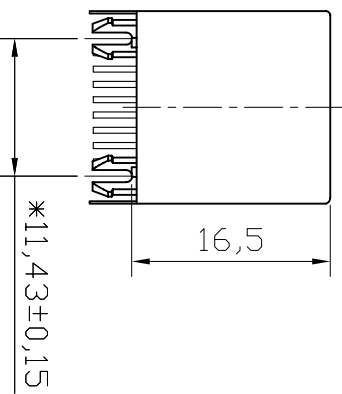
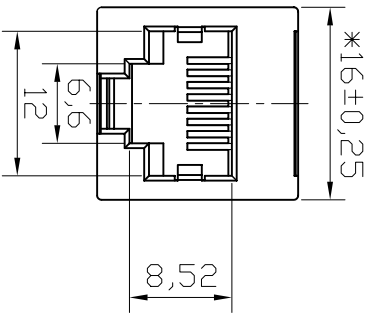
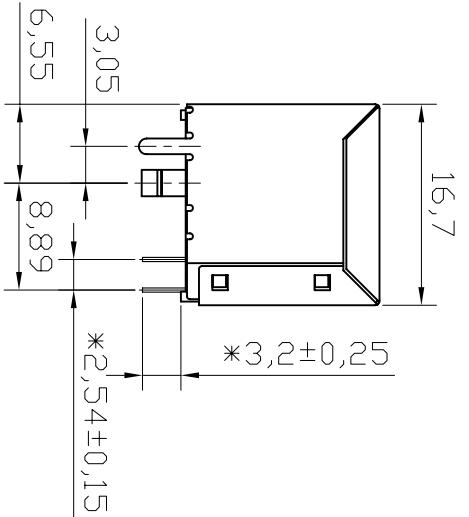
MECHANICAL:

- DURABILITY : 750 CYCLES MIN.
 - PCB RETENTION PRE-SOLDER : 1 LB MIN.
- ENVIRONMENTAL:
1. STORAGE : -40° C TO 85° C.
2. OPERATION : 0° C TO 70° C.

PART NUMBER:

SEE SERIES JACK

| POSITIONS | CONTACTS | PARTS | SHIELD | PEG/TAB | PLASTIC | COLOR | LOGO | GOLD PLATING |
|----------------|---------------|---------|--------------|-------------|------------|---------|------------|--------------|
| 4-4 POSITIONS | 2-2 CONTACTS | 1-1PRTS | 0-W/D SHIELD | 0-W/D PEG | 1-PBT | 1-BLACK | 0-W/D LOGO | 1-15u" |
| 6-6 POSITIONS | 4-4 CONTACTS | 2-2PRTS | 1-W/ SHIELD | 1-FRONT 305 | 2-NYLDN66 | 2-WHITE | 1-W/ ZP | 2-3u" |
| 8-8 POSITIONS | 6-6 CONTACTS | 4-4PRTS | | 2-FRONT 368 | 3-NYLDN446 | 3-GRAY | 2-W/ UL | 3-6u" |
| 0-10 POSITIONS | 8-8 CONTACTS | 5-5PRTS | | 3-FRONT 457 | 4-ABS | 4-IVORY | 3-W/ ZP&UL | 4-15u" |
| | 1-10 CONTACTS | 6-6PRTS | | 4-BACK 305 | | | | 5-30u" |
| | | 8-8PRTS | | | | | | 6-50u" |



PC Board Side Layout
Component Side Layout

| DIMENSIONS | | TOLERANCES EXCEPT AS NOTED | | DETACHED LISTS | |
|--------------|--------|----------------------------|--------|-----------------------|--------|
| MM | (INCH) | MM | (INCH) | MM | (INCH) |
| 0 ± 0.15 | | ± | | QTY : | |
| 0.01 ± 0.075 | | ± | | FINISH : | |
| 0.00 ± 0.05 | | ± | | SCALE : | |
| ANGLES ± 0.5 | | THIRD ANGLE PROJECTION | | DRAWING NO. T52E21002 | |
| | | | | /PART NO. | |
| | | | | DD NOT SCALE DRAWING | |
| | | | | SHEET X | |
| | | | | DF Y | |
| | | | | SIZE REV | |
| | | | | A3 0 | |

TITLE
52E TOP ENTRY JACK SINGLE PORT

8 7 6 5 4 3 2 1