
**I²C-Compatible (Two-Wire)
Serial EEPROM 128-Kbit (16,384 x 8)**

Features

- Low-Voltage Operation:
 - $V_{CC} = 1.7V$ to 5.5V
- Internally Organized as 16,384 x 8 (128K)
- Industrial Temperature Range: -40°C to +85°C
- I²C-Compatible (Two-Wire) Serial Interface:
 - 100 kHz Standard mode, 1.7V to 5.5V
 - 400 kHz Fast mode, 1.7V to 5.5V
 - 1 MHz Fast Mode Plus (FM+), 2.5V to 5.5V
- Schmitt Triggers, Filtered Inputs for Noise Suppression
- Bidirectional Data Transfer Protocol
- Write-Protect Pin for Full Array Hardware Data Protection
- Ultra Low Active Current (3 mA maximum) and Standby Current (6 μ A maximum)
- 64-Byte Page Write Mode:
 - Partial page writes allowed
- Random and Sequential Read Modes
- Self-Timed Write Cycle within 5 ms Maximum
- High Reliability:
 - Endurance: 1,000,000 write cycles
 - Data retention: 100 years
- Green Package Options (Lead-free/Halide-free/RoHS compliant)-
- Die Sale Options: Wafer Form and Bumped Wafers

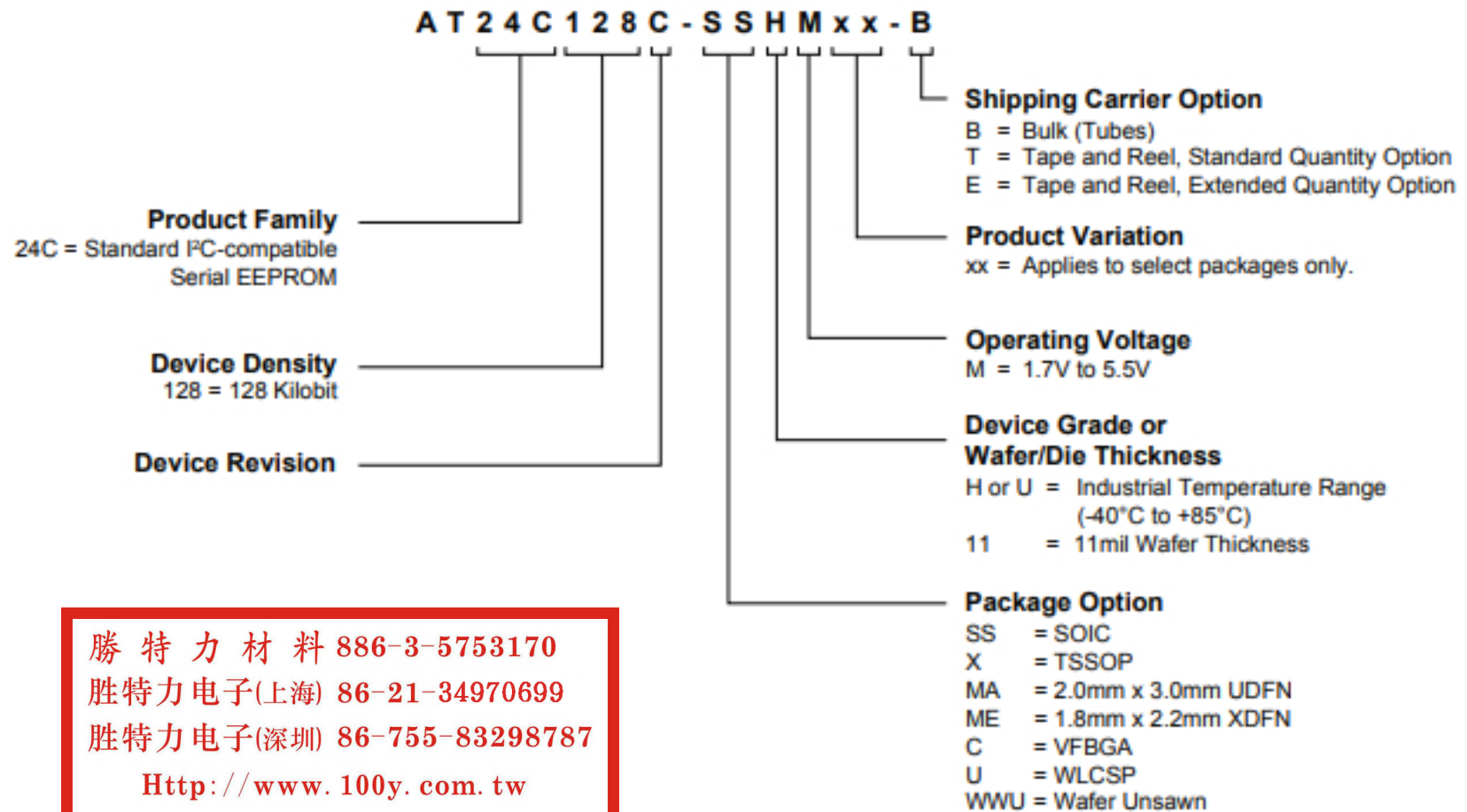
Packages

- 8-Lead SOIC, 8-Lead TSSOP, 8-Pad UDFN, 8-pad XDFN, 4-ball WLCSP and 8-Ball VFBGA

勝特力材料 886-3-5753170
勝特力电子(上海) 86-21-34970699
勝特力电子(深圳) 86-755-83298787
[Http://www.100y.com.tw](http://www.100y.com.tw)

Product Identification System

To order or obtain information, e.g., on pricing or delivery, refer to the factory or the listed sales office.



Examples

Device	Package	Package Drawing Code	Package Option	Shipping Carrier Option	Device Grade
AT24C128C-SSHM-B	SOIC	SN	SS	Bulk (Tubes)	Industrial Temperature (-40°C to +85°C)
AT24C128C-SSHM-T	SOIC	SN	SS	Tape and Reel	
AT24C128C-XHM-B	TSSOP	ST	X	Bulk (Tubes)	
AT24C128C-XHM-T	TSSOP	ST	X	Tape and Reel	
AT24C128C-MAHM-T	UDFN	Q4B	MA	Tape and Reel	
AT24C128C-MAHM-E	UDFN	Q4B	MA	Extended Qty. Tape and Reel	
AT24C128C-MEHM-T	XDFN	8ME1	ME	Tape and Reel	
AT24C128C-CUM-T	VFBGA	8U2-1	C	Tape and Reel	
AT24C128C-UUM0B-T	WLCSP	4U-9	U	Tape and Reel	

Microchip Devices Code Protection Feature

Note the following details of the code protection feature on Microchip devices: