

Description

The NEC μ PD8039HL, μ PD8049H and the μ PD8749H are high performance, single component, 8-bit parallel microcomputers using n-channel silicon gate MOS technology. The processors differ only in their internal program memory options: the μ PD8049H has $2K \times 8$ bytes of mask ROM, the μ PD8749H has $2K \times 8$ of UV erasable EPROM and the μ PD8039HL has external program memory.

The μ PD8049H family functions efficiently in control as well as arithmetic applications. The powerful instruction set eases bit handling applications and provides facilities for binary and BCD arithmetic. Standard logic functions implementation is facilitated by the large variety of branch and table look-up instructions. The instruction set is comprised of 1 and 2 byte instructions, most of which are single-byte. The instruction set requires only 1 or 2 cycles per instruction with over 50 percent of the instructions single-cycle.

The μ PD8049H family of microprocessors will function as stand-alone microcomputers. Their functions can easily be expanded using standard 8080A/8085A peripherals and memories. The μ PD8039HL is intended for applications using external program memory only. It contains all the features of the μ PD8049H except for the internal ROM. The external program memory can be implemented using standard 8080A/8085A memory products. The μ PD8049H contains the following functions usually found in external peripheral devices: 2048×8 bits of mask ROM program memory; 128×8 bits of RAM data memory; 27 I/O lines; an 8-bit interval timer/event counter; and oscillator and clock circuitry. The μ PD8749H differs from the μ PD8049H in its 2048×8 -bit UV erasable EPROM program memory instead of the mask ROM memory. It is useful in preproduction or prototype applications where the software design has not yet been finalized or in system designs whose quantities do not require a mask ROM.

Features

- External and internal interrupts
- 96 instructions: 70 percent single byte
- 27 I/O lines
- Internal clock generator
- Expandable with 8080A/8085A peripherals
- HMOS silicon gate technology
- Single $+5V \pm 10$ percent power supply

- High performance 11 MHz operation
- Fully compatible with industry standard 8039/8049/8749
- Pin compatible with the μ PD8048/8748
- 1.36 μ s cycle time. All instructions 1 or 2 bytes
- Programmable interval timer/event counter
- $2K \times 8$ bytes of ROM, 128×8 bytes of RAM

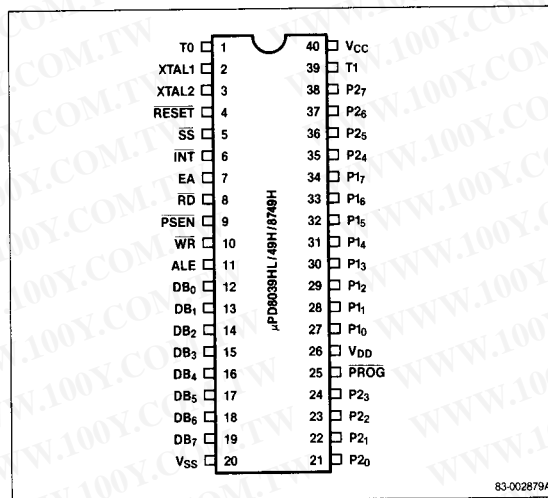
Ordering Information

| Part Number | Package Type | Max Frequency of Operation |
|-----------------|------------------------|----------------------------|
| μ PD8039HLC | 40-pin plastic DIP | 11 MHz |
| μ PD8049HC | 40-pin plastic DIP | 11 MHz |
| μ PD8749HC | 40-pin plastic DIP | 11 MHz |
| μ PD8749HD | 40-pin cerdip (Note 1) | 11 MHz |

Note:

(1) With quartz window.

Pin Configuration



83-002879A

勝特力材料 886-3-5753170
 勝特力电子(上海) 86-21-34970699
 勝特力电子(深圳) 86-755-83298787
[Http://www.100y.com.tw](http://www.100y.com.tw)

Pin Identification

| No. | Symbol | Function |
|-----------|----------------------------------|-----------------------------|
| 1 | T0 | Test 0 input/output |
| 2 | XTAL1 | Crystal 1 input |
| 3 | XTAL2 | Crystal 2 input |
| 4 | $\overline{\text{RESET}}$ | Reset input |
| 5 | $\overline{\text{SS}}$ | Single step input |
| 6 | $\overline{\text{INT}}$ | Interrupt input |
| 7 | EA | External access input |
| 8 | $\overline{\text{RD}}$ | Read output |
| 9 | $\overline{\text{PSEN}}$ | Program store enable output |
| 10 | $\overline{\text{WR}}$ | Write output |
| 11 | ALE | Address latch enable output |
| 12-19 | DB ₀ -DB ₇ | Bidirectional data bus |
| 20 | V _{SS} | Ground |
| 21-24 | P2 ₀ -P2 ₇ | Quasi-bidirectional Port 2 |
| 25, 35-38 | PROG | Program output |
| 26 | V _{DD} | RAM power supply |
| 27-34 | P1 ₀ -P1 ₇ | Quasi-bidirectional Port 1 |
| 39 | T1 | Test 1 input |
| 40 | V _{CC} | Primary power supply |

Pin Functions**XTAL 1 (Crystal 1)**

XTAL1 is one side of the crystal, LC, or external frequency source (non-TTL-compatible V_{IH}).

XTAL 2 (Crystal 2)

XTAL2 is the other side of the crystal or frequency source. For external sources, XTAL2 must be driven with the logical complement of the XTAL1 input.

T0 (Test 0)

T0 is the testable input using conditional transfer functions JT0 and JNT0. The internal state clock (CLK) is available to T0 using the ENT0 CLK instruction. T0 can also be used during programming as a testable flag.

T1 (Test 1)

T1 is the testable input using conditional transfer functions JT1 and JNT1. T1 can be made the counter/timer input using the STRT CNT instruction.

 $\overline{\text{RESET}}$ (Reset)

An active low on $\overline{\text{RESET}}$ initializes the processor. $\overline{\text{RESET}}$ is also used for PROM programming verification and power-down (non-TTL compatible V_{IH}).

 $\overline{\text{SS}}$ (Single Step)

An active low on $\overline{\text{SS}}$, together with ALE, causes the processor to execute the program one step at a time.

 $\overline{\text{INT}}$ (Interrupt)

An active low on $\overline{\text{INT}}$ starts an interrupt if interrupts are enabled. A reset disables an interrupt. $\overline{\text{INT}}$ can be tested with the JN1 instruction and, depending on the results, a jump to the specified address can occur.

EA (External Access)

An active high on EA disables internal program memory and fetches and accesses external program memory. EA is used for system testing and debugging.

 $\overline{\text{RD}}$ (Read)

$\overline{\text{RD}}$ will pulse low when the processor performs a bus read. An active low on $\overline{\text{RD}}$ enables data onto the processor bus from a peripheral device and functions as a read strobe for external data memory.

 $\overline{\text{WR}}$ (Write)

$\overline{\text{WR}}$ will pulse low when the processor performs a bus write. $\overline{\text{WR}}$ can also function as a write strobe for external data memory.

 $\overline{\text{PSEN}}$ (Program Store Enable)

$\overline{\text{PSEN}}$ becomes active only during an external memory fetch. (Active low).

ALE (Address Latch Enable)

ALE occurs at each cycle. ALE can also be used as a clock output. The falling edge of ALE addresses external data memory or external program memory.

DB₀-DB₇ (Data Bus)

DB₀-DB₇ is a bidirectional port. Synchronous reads and writes can be performed on this port using $\overline{\text{RD}}$ and $\overline{\text{WR}}$ strobes. The contents of the DB₀-DB₇ bus can be latched in a static mode.

During an external memory fetch, DB₀-DB₇ output the low order eight bits of the memory address. $\overline{\text{PSEN}}$ fetches the instruction. DB₀-DB₇ also output the address of an external data memory fetch. The addressed data is controlled by ALE, $\overline{\text{RD}}$, and $\overline{\text{WR}}$.

P1₀-P1₇ (Port 1)

P1₀-P1₇ is an 8-bit quasi-bidirectional port.

P20-P27 (Port 2)

P20-P27 is an 8-bit quasi-bidirectional port. P20-P23 output the high order four bits of the address during an external program memory fetch. P20-P23 also function as a 4-bit I/O bus for the μPD82C43 I/O port expander.

PROG (Program Pulse)

PROG is used as an output pulse during a fetch when interfacing with the μPD82C43 I/O port expander. When the μPD8049H is used in a stand-alone mode, PROG can be allowed to float.

VCC (Primary Power Supply)

VCC is the primary power supply. VCC is +5V during normal operation.

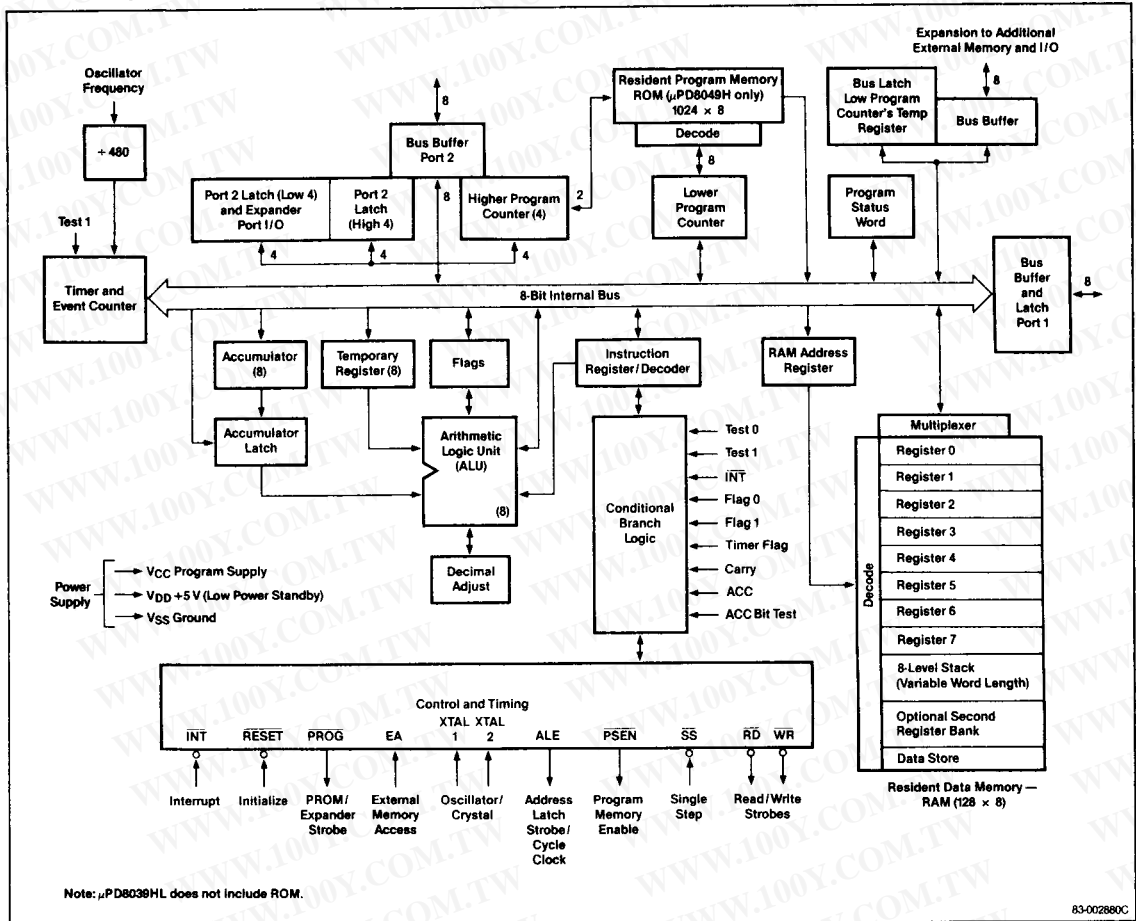
VDD (RAM Power Supply)

VDD provides +5V to the 128 × 8-bit RAM section. During normal operation, VCC must also be +5V to provide power to the other functions in the device. During standby operation, VDD must remain at +5V while VCC is at ground potential.

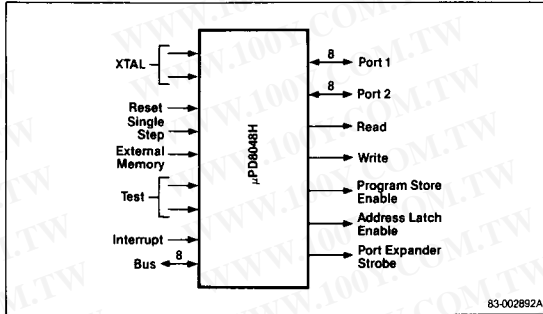
VSS (Ground)

VSS is ground potential.

Block Diagram



Logic Symbol



Absolute Maximum Ratings

| | |
|---|---|
| $T_A = 25^\circ\text{C}$ | |
| Operating temperature, T_{OPT} | 0°C to $+70^\circ\text{C}$ |
| Storage temperature, T_{STG} | -65°C to $+150^\circ\text{C}$ |
| Voltage on any pin | -0.5 V to $+7.0\text{ V}$ (Note 1) |
| Power dissipation, P_D | 1.5 W |

Note:

(1) With respect to ground.

Comment: Exposing the device to stresses above those listed in Absolute Maximum Ratings could cause permanent damage. The device is not meant to be operated under conditions outside the limits described in the operational sections of the specification. Exposure to absolute maximum rating conditions for extended periods may affect device reliability.

DC Characteristics

$T_A = 0^\circ\text{C}$ to $+70^\circ\text{C}$, $V_{\text{CC}} = V_{\text{DD}} = +5\text{ V} \pm 10\%$, $V_{\text{SS}} = 0\text{ V}$

| Parameter | Symbol | Limits | | | Unit | Test Conditions |
|---|------------------|--------|-----|-----------------|------|---------------------------------|
| | | Min | Typ | Max | | |
| Input low voltage (All except XTAL1, XTAL2) | V_{IL} | -0.5 | | 0.8 | V | |
| Input high voltage (All except XTAL1, XTAL2, RESET) | V_{IH} | 2.0 | | V_{CC} | V | |
| Input high voltage (XTAL1, XTAL2, RESET) | V_{IH1} | 3.8 | | V_{CC} | V | |
| Output low voltage (BUS, RD, WR, PSEN, ALE) | V_{OL} | | | 0.45 | V | $I_{\text{OL}} = 2.0\text{ mA}$ |
| Output low voltage (All others except PROG) | V_{OL1} | | | 0.45 | V | $I_{\text{OL}} = 2.0\text{ mA}$ |
| Output low voltage (PROG) | V_{OL2} | | | 0.45 | V | $I_{\text{OL}} = 2.0\text{ mA}$ |

| Parameter | Symbol | Limits | | | Unit | Test Conditions |
|--|---------------------------------|--------|-----|----------|---------------|---|
| | | Min | Typ | Max | | |
| Output high voltage (●●●) | V_{OH} | 2.4 | | | V | $I_{\text{OH}} = -400\ \mu\text{A}$ |
| Output high voltage (RD, WR, PSEN, ALE) | V_{OH1} | 2.4 | | | V | $I_{\text{OH}} = -400\ \mu\text{A}$ |
| Output high voltage (all other outputs) | V_{OH2} | 2.4 | | | V | $I_{\text{OH}} = -40\ \mu\text{A}$ |
| Input leakage current (T1, EA, INT) | I_{IL} | | | ± 10 | μA | $V_{\text{SS}} \leq V_{\text{IN}} \leq V_{\text{CC}}$ |
| Input leakage current (P10-P17, P20-P27, EA, SS) | I_{IL1} | | | -500 | μA | $V_{\text{SS}} + 0.45\text{ V} \leq V_{\text{IN}} \leq V_{\text{CC}}$ |
| Output leakage current (BUS, T0, high impedance state) | I_{LO} | | | ± 10 | μA | $V_{\text{CC}} \geq V_{\text{IN}} \geq V_{\text{SS}} + 0.45\text{ V}$ |
| Power down supply current | I_{DD} | | 5 | 10 | mA | $T_A = 25^\circ\text{C}$ |
| | | | 2 | 5 | | 8749H only |
| Total supply current | $I_{\text{DD}} + I_{\text{CC}}$ | | 80 | 110 | mA | $T_A = 25^\circ\text{C}$ |
| | | | 85 | 110 | | 8749H only |

DC Programming Characteristics

$T_A = 25^\circ\text{C} \pm 5^\circ\text{C}$, $V_{\text{CC}} = +5\text{ V} \pm 5\%$, $V_{\text{DD}} = +21\text{ V} \pm 0.5\text{ V}$

| Parameter | Symbol | Limits | | | Unit | Test Conditions |
|---|-------------------|--------|-----|-----------------|------|-----------------|
| | | Min | Typ | Max | | |
| V_{DD} program voltage high level | V_{DDH} | 20.5 | | 21.5 | V | |
| V_{DD} program voltage low level | V_{DDL} | 4.75 | | 5.25 | V | |
| PROG program voltage high level | V_{PH} | 17.5 | | 18.5 | V | |
| PROG voltage low level | V_{PL} | 4.0 | | V_{CC} | V | |
| EA program / verify voltage high level | V_{EAH} | 17.5 | | 18.5 | V | |
| V_{DD} high voltage supply current | I_{DD} | | | 20.0 | mA | |
| PROG high voltage supply current | I_{PROG} | | | 1.0 | mA | |
| EA high voltage supply current | I_{EA} | | | 1.0 | mA | |

AC Characteristics

$T_A = 0^\circ\text{C}$ to $+70^\circ\text{C}$, $V_{CC} = V_{DD} = +5\text{V} \pm 10\%$, $V_{SS} = 0\text{V}$

| Parameter | Symbol | Limits | | | Unit | Test Conditions |
|-------------------------------|-------------|--------|-----|-----|------|-----------------|
| | | Min | Typ | Max | | |
| ALE pulse width | t_{LL} | 150 | | | ns | |
| Address setup to ALE | t_{AL} | 70 | | | ns | |
| Address hold from ALE | t_{LA} | 50 | | | ns | |
| Control pulse width (RD, WR) | t_{CC1} | 480 | | | ns | |
| Control pulse width (PSEN) | t_{CC2} | 350 | | | ns | |
| Data setup before WR | t_{DW} | 390 | | | ns | |
| Data hold after WR | t_{WD} | 40 | | | ns | (Note 2) |
| Data hold (RD, PSEN) | t_{DR} | 0 | | 110 | ns | |
| RD to data in | t_{RD1} | | | 350 | ns | |
| PSEN to data in | t_{RD2} | | | 210 | ns | |
| Address setup to WR | t_{AW} | 300 | | | ns | |
| Address setup to data (RD) | t_{AD1} | | | 750 | ns | |
| Address setup to data (PSEN) | t_{AD2} | | | 480 | ns | |
| Address float to RD, WR | t_{AFC1} | 140 | | | ns | |
| Address float to PSEN | t_{AFC2} | 10 | | | ns | |
| ALE to control (RD, WR) | t_{LAFC1} | 200 | | | ns | |
| ALE to control (PSEN) | t_{LAFC2} | 60 | | | ns | |
| Control to ALE (RD, WR, PROG) | t_{CA1} | 50 | | | ns | |
| Control to ALE (PSEN) | t_{CA2} | 320 | | | ns | |
| Port control setup to PROG | t_{CP} | 100 | | | ns | |
| Port control hold to PROG | t_{PC} | 160 | | | ns | |
| PROG to P2 input valid | t_{PR} | | | 650 | ns | |
| Input data hold from PROG | t_{PF} | 0 | | 140 | ns | |
| Output data setup | t_{DP} | 400 | | | ns | |
| Output data hold | t_{PD} | 90 | | | ns | |
| PROG pulse width | t_{PP} | 700 | | | ns | |

| Parameter | Symbol | Limits | | | Unit | Test Conditions |
|------------------------------|------------|--------|-----|-----|------|-----------------|
| | | Min | Typ | Max | | |
| Port 2 I/O data setup to ALE | t_{PL} | 160 | | | ns | |
| Port 2 I/O data hold to ALE | t_{LP} | 40 | | | ns | |
| Port output from ALE | t_{PV} | | | 510 | ns | |
| Cycle time | t_{CY} | 1.36 | | 15 | μs | |
| I/O rep rate | t_{OPRR} | 270 | | | ns | |

Note:

- (1) Control outputs: $C_L = 60\text{pF}$, bus outputs: $C_L = 150\text{pF}$
- (2) Bus high impedance, load = 20pF
- (3) Calculated values will be equal to or better than published 8049 values.

AC Programming Characteristics

$T_A = 25^\circ\text{C} \pm 5^\circ\text{C}$, $V_{CC} = +5\text{V} \pm 5\%$, $V_{DD} = +21\text{V} \pm 0.5\text{V}$

| Parameter | Symbol | Limits | | | Unit | Test Conditions |
|---------------------------------------|------------|--------|----------|-----|----------|-----------------|
| | | Min | Typ | Max | | |
| Address setup time to RESET↑ | t_{AW} | 4 | t_{CY} | | | |
| Address hold time after RESET↑ | t_{WA} | 4 | t_{CY} | | | |
| Data in setup time to PROG↑ | t_{DW} | 4 | t_{CY} | | | |
| Data in hold time after PROG↓ | t_{WD} | 4 | t_{CY} | | | |
| RESET hold time to verify | t_{PH} | 4 | t_{CY} | | | |
| V_{DD} | t_{VDDW} | 0 | | 1.0 | ms | |
| V_{DD} hold time after PROG↓ | t_{VDDH} | 0 | | 1.0 | ms | |
| PROG pulse width | t_{PW} | 50 | | 60 | ms | |
| TEST0 setup time for program mode | t_{TW} | 4 | t_{CY} | | | |
| TEST0 hold time after program mode | t_{WT} | 4 | t_{CY} | | | |
| TEST0 to data out delay(1) | t_{DO} | | | 4 | t_{CY} | |
| RESET pulse width to latch address | t_{WW} | 4 | t_{CY} | | | |
| V_{DD} and PROG rise and fall times | t_r, t_f | 0.5 | | 100 | μs | |

AC Programming Characteristics (cont)

T_A = 25°C ± 5°C, V_{CC} = +5V ± 5%, V_{DD} = +21V ± 0.5V

| Parameter | Symbol | Limits | | | Test Conditions |
|-----------------------------|-----------------|--------|-----------------|-----|-----------------|
| | | Min | Typ | Max | |
| CPU operation cycle time | t _{cy} | 4.0 | | 15 | μs |
| RESET setup time before EA† | t _{RE} | 4 | t _{cy} | | |

Note:

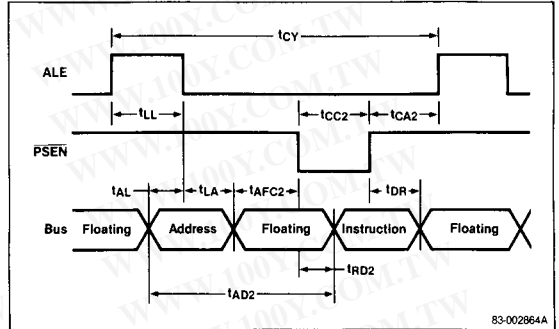
- (1) Control outputs: C_L = 60 pF, bus outputs: C_L = 150 pF
- (2) Bus high impedance, load = 20 pF
- (3) Calculated values will be equal to or better than published 8049 values.

Bus Timing Requirements

| Symbol | Timing Formula | Min/Max | Unit |
|--------------------|-------------------------------|---------|------|
| t _{LL} | (7/30) t _{cy} - 170 | Min | ns |
| t _{AL} | (2/15) t _{cy} - 110 | Min | ns |
| t _{LA} | (1/15) t _{cy} - 40 | Min | ns |
| t _{CC1} | (1/2) t _{cy} - 200 | Min | ns |
| t _{CC2} | (2/5) t _{cy} - 200 | Min | ns |
| t _{DW} | (13/30) t _{cy} - 200 | Min | ns |
| t _{WD} | (1/15) t _{cy} - 50 | Min | ns |
| t _{DR} | (1/10) t _{cy} - 30 | Max | ns |
| t _{RD1} | (2/5) t _{cy} - 200 | Max | ns |
| t _{RD2} | (3/10) t _{cy} - 200 | Max | ns |
| t _{AW} | (1/3) t _{cy} - 150 | Min | ns |
| t _{AD1} | (11/15) t _{cy} - 250 | Max | ns |
| t _{AD2} | (8/15) t _{cy} - 250 | Max | ns |
| t _{AFC1} | (2/15) t _{cy} - 40 | Min | ns |
| t _{AFC2} | (1/30) t _{cy} - 40 | Min | ns |
| t _{LAFC1} | (1/5) t _{cy} - 75 | Min | ns |
| t _{LAFC2} | (1/10) t _{cy} - 75 | Min | ns |
| t _{CA1} | (1/15) t _{cy} - 40 | Min | ns |
| t _{CA2} | (4/15) t _{cy} - 40 | Min | ns |
| t _{CP} | (2/15) t _{cy} - 80 | Min | ns |
| t _{PC} | (4/15) t _{cy} - 200 | Min | ns |
| t _{PR} | (17/30) t _{cy} - 120 | Max | ns |
| t _{PF} | (1/10) t _{cy} | Max | ns |
| t _{DP} | (2/5) t _{cy} - 150 | Min | ns |
| t _{PD} | (1/10) t _{cy} - 50 | Min | ns |
| t _{PP} | (7/10) t _{cy} - 250 | Min | ns |
| t _{PL} | (4/15) t _{cy} - 200 | Min | ns |
| t _{LP} | (1/10) t _{cy} - 100 | Min | ns |
| t _{PV} | (3/10) t _{cy} - 100 | Max | ns |
| t _{OPRR} | (3/15) t _{cy} | Min | ns |
| t _{cy} | 11 MHz | | μs |

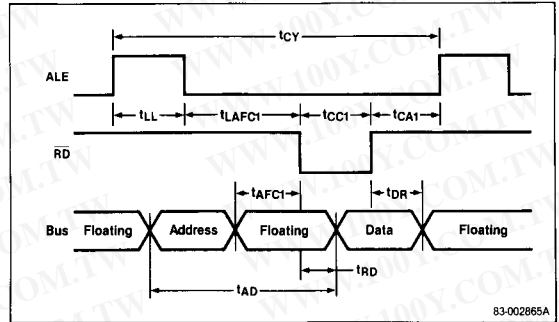
Timing Waveforms

Instruction Fetch from External Memory



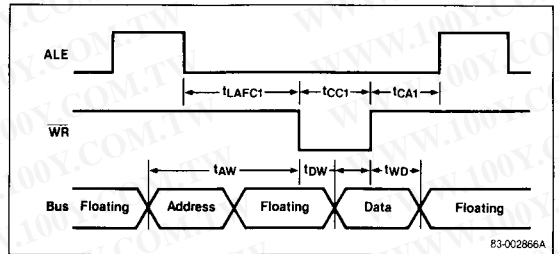
83-002864A

Read from External Data Memory



83-002865A

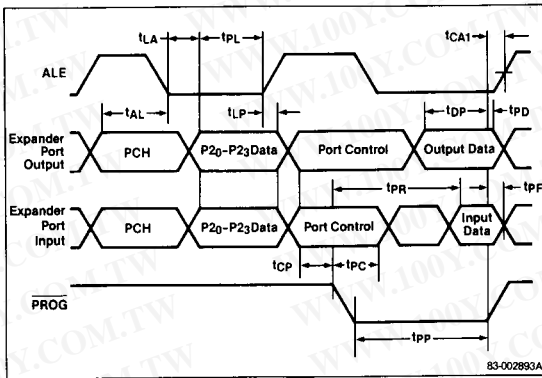
Write to External Memory



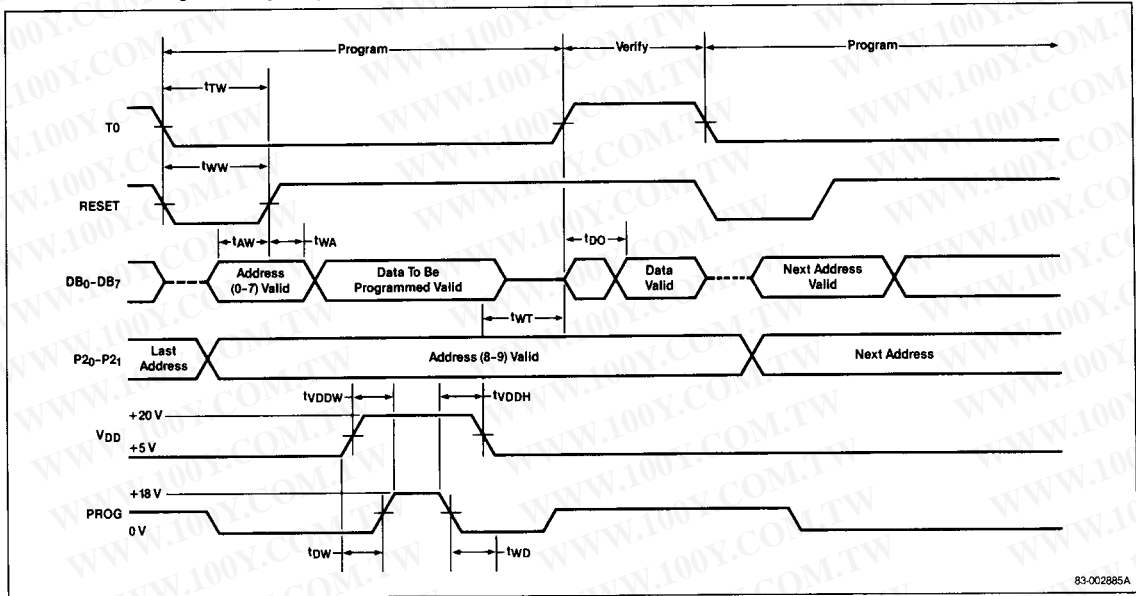
83-002866A

Timing Waveforms (cont)

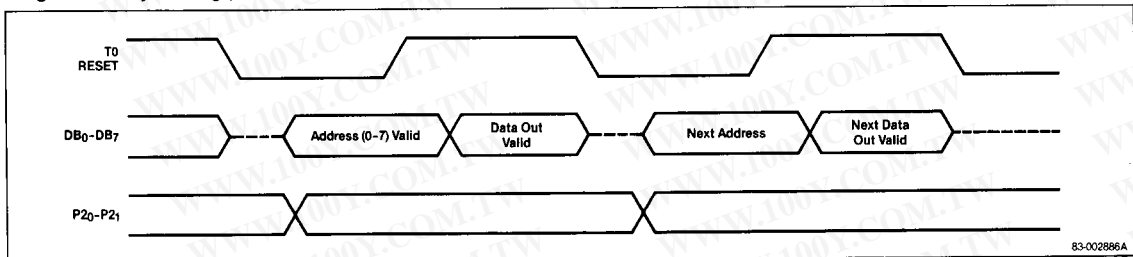
Port 2 Timing



Waveforms for Programming the μ PD8749H



Program/Verify Timing (ROM/EPROM)



4

Instruction Set

| Mnemonic | Function | Description | Operation Code | | | | | | | | | | | | | | | | Flags | | | | | | | | | | | | | | | | | | |
|--------------------|---|--|----------------|----------------|----------------|----------------|----------------|----------------|----------------|----------------|--------|-------|---|----|----|----|--|--|-------|--|--|--|--|--|--|--|--|--|--|--|--|--|--|--|--|--|--|
| | | | D ₇ | D ₆ | D ₅ | D ₄ | D ₃ | D ₂ | D ₁ | D ₀ | Cycles | Bytes | C | AC | F0 | F1 | | | | | | | | | | | | | | | | | | | | | |
| Accumulator | | | | | | | | | | | | | | | | | | | | | | | | | | | | | | | | | | | | | |
| ADD A, # data | (A) ←← (A) + data | Add immediate the specified data to the accumulator. | 0 | 0 | 0 | 0 | 0 | 0 | 0 | 0 | 1 | 1 | 2 | 2 | 2 | • | | | | | | | | | | | | | | | | | | | | | |
| ADD A, Rr | (A) ←← (A) + (Rr) r = 0-7 | Add contents of designated register to the accumulator. | 0 | 1 | 1 | 0 | 1 | r | r | r | r | r | 1 | 1 | 1 | • | | | | | | | | | | | | | | | | | | | | | |
| ADD A, @ Rr | (A) ←← (A) + ((Rr)) r = 0-1 | Add indirect the contents of the data memory location to the accumulator. | 0 | 1 | 1 | 0 | 0 | 0 | 0 | 0 | r | 1 | 1 | 1 | • | | | | | | | | | | | | | | | | | | | | | | |
| ADD C A, # data | (A) ←← (A) + (C) + data | Add immediate with carry the specified data to the accumulator. | 0 | 0 | 0 | 1 | 0 | 0 | 1 | 1 | 1 | 2 | 2 | 2 | • | | | | | | | | | | | | | | | | | | | | | | |
| ADD C A, Rr | (A) ←← (A) + (C) + (Rr) r = 0-7 | Add with carry the contents of the designated register to the accumulator. | 0 | 1 | 1 | 1 | 1 | r | r | r | r | 1 | 1 | 1 | • | | | | | | | | | | | | | | | | | | | | | | |
| ADD C A, @ Rr | (A) ←← (A) + (C) + ((Rr)) r = 0-1 | Add indirect with carry the contents of data memory location to the accumulator. | 0 | 1 | 1 | 1 | 0 | 0 | 0 | 0 | r | 1 | 1 | 1 | • | | | | | | | | | | | | | | | | | | | | | | |
| ANL A, # data | (A) ←← (A) AND data | Logical AND specified immediate data with accumulator. | 0 | 1 | 0 | 1 | 0 | 0 | 1 | 1 | 2 | 2 | 2 | 2 | | | | | | | | | | | | | | | | | | | | | | | |
| ANL A, Rr | (A) ←← (A) AND (Rr) r = 0-7 | Logical AND contents of designated register with accumulator. | 0 | 1 | 0 | 1 | 1 | r | r | r | 1 | 1 | 1 | 1 | | | | | | | | | | | | | | | | | | | | | | | |
| ANL A, @ Rr | (A) ←← (A) AND ((Rr)) r = 0-1 | Logical AND indirect the contents of data memory with accumulator. | 0 | 1 | 0 | 1 | 0 | 0 | 0 | 0 | r | 1 | 1 | 1 | | | | | | | | | | | | | | | | | | | | | | | |
| CPL A | (A) ←← NOT (A) | Complement the contents of the accumulator. | 0 | 0 | 1 | 1 | 0 | 1 | 1 | 1 | 1 | 1 | 1 | 1 | | | | | | | | | | | | | | | | | | | | | | | |
| CLR A | (A) ←← 0 | Clear the contents of the accumulator. | 0 | 0 | 1 | 0 | 0 | 1 | 1 | 1 | 1 | 1 | 1 | 1 | | | | | | | | | | | | | | | | | | | | | | | |
| DA A | | Decimal adjust the contents of the accumulator. | 0 | 1 | 0 | 1 | 0 | 1 | 1 | 1 | 1 | 1 | 1 | 1 | • | | | | | | | | | | | | | | | | | | | | | | |
| DEC A | (A) ←← (A) - 1 | Decrement by 1 the accumulator's contents. | 0 | 0 | 0 | 0 | 0 | 1 | 1 | 1 | 1 | 1 | 1 | 1 | | | | | | | | | | | | | | | | | | | | | | | |
| INC A | (A) ←← (A) + 1 | Increment by 1 the accumulator's contents. | 0 | 0 | 0 | 1 | 0 | 1 | 1 | 1 | 1 | 1 | 1 | 1 | | | | | | | | | | | | | | | | | | | | | | | |
| ORL A, # data | (A) ←← (A) OR data | Logical OR specified immediate data with accumulator. | 0 | 1 | 0 | 0 | 0 | 1 | 1 | 1 | 2 | 2 | 2 | 2 | | | | | | | | | | | | | | | | | | | | | | | |
| ORL A, Rr | (A) ←← (A) OR (Rr) r = 0-7 | Logical OR contents of designated register with accumulator. | 0 | 1 | 0 | 0 | 1 | r | r | r | 1 | 1 | 1 | 1 | | | | | | | | | | | | | | | | | | | | | | | |
| ORL A, @ Rr | (A) ←← (A) OR ((Rr)) r = 0-1 | Logical OR indirect the contents of data memory location with accumulator. | 0 | 1 | 0 | 0 | 0 | 0 | 0 | 0 | r | 1 | 1 | 1 | | | | | | | | | | | | | | | | | | | | | | | |
| RL A | (AN + 1) ←← (AN); N = 0-6 (A ₀) ←← (A ₇) | Rotate accumulator left by 1 bit without carry. | 1 | 1 | 1 | 0 | 0 | 1 | 1 | 1 | 1 | 1 | 1 | 1 | | | | | | | | | | | | | | | | | | | | | | | |
| RLC A | (AN + 1) ←← (AN); N = 0-6 (A ₀) ←← (C) (C) ←← (A ₇) | Rotate accumulator left by 1 bit through carry. | 1 | 1 | 1 | 1 | 0 | 1 | 1 | 1 | 1 | 1 | 1 | 1 | • | | | | | | | | | | | | | | | | | | | | | | |
| RR A | (AN) ←← (AN + 1); N = 0-6 (A ₇) ←← (A ₀) | Rotate accumulator right by 1 bit without carry. | 0 | 1 | 1 | 1 | 0 | 1 | 1 | 1 | 1 | 1 | 1 | 1 | | | | | | | | | | | | | | | | | | | | | | | |

Instruction Set (cont)

| Mnemonic | Function | Description | Operation Code | | | | | | | | | | Flags | | | | | | |
|---------------------------|---|---|----------------|----|----|----|----|----|----|----|--------|-------|-------|----|----|----|---|--|--|
| | | | D7 | D6 | D5 | D4 | D3 | D2 | D1 | D0 | Cycles | Bytes | C | AC | FO | F1 | | | |
| Accumulator (cont) | | | | | | | | | | | | | | | | | | | |
| RRC A | (AN) ← (AN + 1); N = 0-6 (A7) ← (C) (C) ← (A0) | Rotate accumulator right by 1 bit through carry. | 0 | 1 | 1 | 0 | 0 | 1 | 1 | 1 | 1 | 1 | 1 | 1 | 1 | • | | | |
| SWAP A | (A ₇ -A ₄) ← (A ₀ -A ₃) | Swap the 2 4-bit nibbles in the accumulator. | 0 | 1 | 0 | 0 | 0 | 1 | 1 | 1 | 1 | 1 | 1 | 1 | 1 | | | | |
| XRL A, # data | (A) ← (A) XOR data | Logical XOR specified immediate data with accumulator. | 1 | 1 | 0 | 1 | 0 | 0 | 1 | 1 | 2 | 2 | | | | | | | |
| | | d7 d6 d5 d4 d3 d2 d1 d0 | | | | | | | | | | | | | | | | | |
| XRL A, Rr | (A) ← (A) XOR (Rr) r = 0-7 | Logical XOR contents of designated register with accumulator. | 1 | 1 | 0 | 1 | 1 | 1 | 1 | 1 | 1 | 1 | 1 | 1 | 1 | | | | |
| XRL A, @ Rr | (A) ← (A) XOR ((Rr)) r = 0-1 | Logical XOR indirect the contents of data memory location with accumulator. | 1 | 1 | 0 | 1 | 0 | 0 | 0 | 0 | 1 | 1 | 1 | 1 | 1 | | | | |
| Branch | | | | | | | | | | | | | | | | | | | |
| DJNZ Rr, addr | (Rr) ← (Rr) - 1; r = 0-7 if (Rr) ≠ 0; (PC ₀ -PC ₇) ← addr | Decrement the specified register and test contents. | 1 | 1 | 1 | 0 | 1 | 1 | 1 | 1 | 1 | 1 | 1 | 1 | 1 | 2 | 2 | | |
| | | a7 a6 a5 a4 a3 a2 a1 a0 | | | | | | | | | | | | | | | | | |
| JBB addr | (PC ₀ -PC ₇) ← addr if B _b = 1 (PC) ← (PC) + 2 if B _b = 0 | Jump to specified address if accumulator bit is set. | b2 | b1 | b0 | 1 | 0 | 0 | 1 | 0 | 2 | 2 | | | | | | | |
| | | a7 a6 a5 a4 a3 a2 a1 a0 | | | | | | | | | | | | | | | | | |
| JC addr | (PC ₀ -PC ₇) ← addr if C = 1 (PC) ← (PC) + 2 if C = 0 | Jump to specified address if carry flag is set. | 1 | 1 | 1 | 1 | 0 | 1 | 1 | 0 | 2 | 2 | | | | | | | |
| | | a7 a6 a5 a4 a3 a2 a1 a0 | | | | | | | | | | | | | | | | | |
| JFO addr | (PC ₀ -PC ₇) ← addr if FO = 1 (PC) ← (PC) + 2 if FO = 0 | Jump to specified address if flag FO is set. | 1 | 0 | 1 | 1 | 0 | 1 | 1 | 0 | 2 | 2 | | | | | | | |
| | | a7 a6 a5 a4 a3 a2 a1 a0 | | | | | | | | | | | | | | | | | |
| JF1 addr | (PC ₀ -PC ₇) ← addr if F1 = 1 (PC) ← (PC) + 2 if F1 = 0 | Jump to specified address if flag F1 is set. | 0 | 1 | 1 | 1 | 0 | 1 | 1 | 0 | 2 | 2 | | | | | | | |
| | | a7 a6 a5 a4 a3 a2 a1 a0 | | | | | | | | | | | | | | | | | |
| JMP addr | (PC ₀ -PC ₁₀) ← (addr _g -addr ₁₀) (PC ₀ -PC ₇) ← (addr ₀ -addr ₇) (PC ₁₁) ← DBF | Direct jump to specified address within the 2K address block. | a10 | a9 | a8 | 0 | 0 | 1 | 0 | 0 | 2 | 2 | | | | | | | |
| | | a7 a6 a5 a4 a3 a2 a1 a0 | | | | | | | | | | | | | | | | | |
| JMPP @A | (PC ₀ -PC ₇) ← ((A)) | Jump indirect to specified address with address page. | 1 | 0 | 1 | 1 | 0 | 0 | 1 | 1 | 2 | 1 | | | | | | | |
| JNC addr | (PC ₀ -PC ₇) ← addr if C = 0 (PC) ← (PC) + 2 if C = 1 | Jump to specified address if carry flag is low. | 1 | 1 | 1 | 0 | 0 | 1 | 1 | 0 | 2 | 2 | | | | | | | |
| | | a7 a6 a5 a4 a3 a2 a1 a0 | | | | | | | | | | | | | | | | | |
| JNI addr | (PC ₀ -PC ₇) ← addr if I = 0 (PC) ← (PC) + 2 if I = 1 | Jump to specified address if interrupt is low. | 1 | 0 | 0 | 0 | 0 | 1 | 1 | 0 | 2 | 2 | | | | | | | |
| | | a7 a6 a5 a4 a3 a2 a1 a0 | | | | | | | | | | | | | | | | | |
| JINT0 addr | (PC ₀ -PC ₇) ← addr if T0 = 0 (PC) ← (PC) + 2 if T0 = 1 | Jump to specified address if test 0 is low. | 0 | 0 | 1 | 0 | 0 | 1 | 1 | 0 | 2 | 2 | | | | | | | |
| | | a7 a6 a5 a4 a3 a2 a1 a0 | | | | | | | | | | | | | | | | | |
| JINT1 addr | (PC ₀ -PC ₇) ← addr if T1 = 0 (PC) ← (PC) + 2 if T1 = 1 | Jump to specified address if test 1 is low. | 0 | 1 | 0 | 0 | 0 | 1 | 1 | 0 | 2 | 2 | | | | | | | |
| | | a7 a6 a5 a4 a3 a2 a1 a0 | | | | | | | | | | | | | | | | | |
| JNZ addr | (PC ₀ -PC ₇) ← addr if A ≠ 0 (PC) ← (PC) + 2 if A = 1 | Jump to specified address if accumulator is non-zero. | 1 | 0 | 0 | 1 | 0 | 1 | 1 | 0 | 2 | 2 | | | | | | | |
| | | a7 a6 a5 a4 a3 a2 a1 a0 | | | | | | | | | | | | | | | | | |
| JTF addr | (PC ₀ -PC ₇) ← addr if TF = 1 (PC) ← (PC) + 2 if TF = 0 | Jump to specified address if timer flag is set to 1. | 0 | 0 | 0 | 1 | 0 | 1 | 1 | 0 | 2 | 2 | | | | | | | |
| | | a7 a6 a5 a4 a3 a2 a1 a0 | | | | | | | | | | | | | | | | | |

Instruction Set (cont)

| Mnemonic | Function | Description | Operation Code | | | | | | | | | | | | | | | | Flags | | | |
|----------------------|--|--|----------------|----|----|----|----|----|----|----|--------|-------|---|----|----|----|--|--|-------|--|--|--|
| | | | D7 | D6 | D5 | D4 | D3 | D2 | D1 | D0 | Cycles | Bytes | C | AC | F0 | F1 | | | | | | |
| Branch (cont) | | | | | | | | | | | | | | | | | | | | | | |
| JT0 addr | (PC ₀ -PC ₇) ← addr if T0 = 1 (PC) ← (PC) + 2 if T0 = 0 | Jump to specified address if test 0 is a 1. | 0 | 0 | 1 | 1 | 0 | 1 | 1 | 0 | 1 | 1 | 0 | 2 | 2 | | | | | | | |
| | | | a7 | a6 | a5 | a4 | a3 | a2 | a1 | a0 | | | | | | | | | | | | |
| JT1 addr | (PC ₀ -PC ₇) ← addr if T1 = 1 (PC) ← (PC) + 2 if T1 = 0 | Jump to specified address if test 1 is a 1. | 0 | 1 | 0 | 1 | 0 | 1 | 1 | 0 | 1 | 0 | 2 | 2 | | | | | | | | |
| | | | a7 | a6 | a5 | a4 | a3 | a2 | a1 | a0 | | | | | | | | | | | | |
| JZ addr | (PC ₀ -PC ₇) ← addr if A = 0 (PC) ← (PC) + 2 if A = 1 | Jump to specified address if accumulator is 0. | 1 | 1 | 0 | 0 | 0 | 1 | 1 | 0 | 1 | 0 | 2 | 2 | | | | | | | | |
| | | | a7 | a6 | a5 | a4 | a3 | a2 | a1 | a0 | | | | | | | | | | | | |
| Control | | | | | | | | | | | | | | | | | | | | | | |
| ENI | | Enable the external interrupt input. | 0 | 0 | 0 | 0 | 0 | 1 | 0 | 1 | 0 | 1 | 1 | 1 | | | | | | | | |
| DISI | | Disable the external interrupt input. | 0 | 0 | 0 | 1 | 0 | 1 | 0 | 1 | 0 | 1 | 1 | 1 | | | | | | | | |
| ENT0 CLK | | Enable the clock output pin T0. | 0 | 1 | 1 | 1 | 0 | 1 | 0 | 1 | 0 | 1 | 1 | 1 | | | | | | | | |
| SEL M80 | (DBF) ← 0 | Select bank 0 (locations 0-2047) of program memory. | 1 | 1 | 1 | 0 | 0 | 1 | 0 | 1 | 0 | 1 | 1 | 1 | | | | | | | | |
| SEL MB1 | (DBF) ← 1 | Select bank 1 (locations 2048-4095) of program memory. | 1 | 1 | 1 | 1 | 0 | 1 | 0 | 1 | 0 | 1 | 1 | 1 | | | | | | | | |
| SEL RB0 | (BS) ← 0 | Select bank 0 (locations 0-7) of data memory. | 1 | 1 | 0 | 0 | 0 | 1 | 0 | 1 | 0 | 1 | 1 | 1 | | | | | | | | |
| SEL RB1 | (BS) ← 1 | Select bank 1 (locations 24-31) of data memory. | 1 | 1 | 0 | 1 | 0 | 1 | 0 | 1 | 0 | 1 | 1 | 1 | | | | | | | | |
| Data Moves | | | | | | | | | | | | | | | | | | | | | | |
| MOV A, # data | (A) ← data | Move immediate the specified data into the accumulator. | 0 | 0 | 1 | 0 | 0 | 0 | 1 | 1 | 2 | 2 | | | | | | | | | | |
| | | | d7 | d6 | d5 | d4 | d3 | d2 | d1 | d0 | | | | | | | | | | | | |
| MOV A, Rr | (A) ← (Rr); r = 0-7 | Move the contents of the designated registers into the accumulator. | 1 | 1 | 1 | 1 | 1 | 1 | r | r | r | 1 | 1 | | | | | | | | | |
| MOV A, @ Rr | (A) ← ((Rr)); r = 0-1 | Move indirect the contents of data memory location into the accumulator. | 1 | 1 | 1 | 1 | 0 | 0 | 0 | r | 1 | 1 | | | | | | | | | | |
| MOV A, PSW | (A) ← (PSW) | Move contents of the program status word into the accumulator. | 1 | 1 | 0 | 0 | 0 | 1 | 1 | 1 | 1 | 1 | | | | | | | | | | |
| MOV Rr, # data | (Rr) ← data; r = 0-7 | Move immediate the specified data into the designated register. | 1 | 0 | 1 | 1 | 1 | r | r | r | 2 | 2 | | | | | | | | | | |
| | | | d7 | d6 | d5 | d4 | d3 | d2 | d1 | d0 | | | | | | | | | | | | |
| MOV Rr, A | (Rr) ← (A); r = 0-7 | Move accumulator contents into the designated register. | 1 | 0 | 1 | 0 | 1 | r | r | r | 1 | 1 | | | | | | | | | | |
| MOV @ Rr, A | ((Rr)) ← (A); r = 0-1 | Move indirect accumulator contents into data memory location. | 1 | 0 | 1 | 0 | 0 | 0 | 0 | r | 1 | 1 | | | | | | | | | | |
| MOV @ Rr, # data | ((Rr)) ← data; r = 0-1 | Move immediate the specified data into data memory. | 1 | 0 | 1 | 1 | 0 | 0 | 0 | 1 | 2 | 2 | | | | | | | | | | |
| | | | d7 | d6 | d5 | d4 | d3 | d2 | d1 | d0 | | | | | | | | | | | | |
| MOV PSW, A | (PSW) ← (A) | Move contents of accumulator into the program status word. | 1 | 1 | 0 | 1 | 0 | 1 | 1 | 1 | 1 | 1 | | | | | | | | | | |
| MOV P, A | (PC ₀ -PC ₇) ← (A) (A) ← ((PC)) | Move data in the current page into the accumulator. | 1 | 0 | 1 | 0 | 0 | 0 | 1 | 1 | 2 | 1 | | | | | | | | | | |
| MOV P3 A, @ A | (PC ₀ -PC ₇) ← (A) (P ₃ -PC ₁₀) ← 011 (A) ← ((PC)) | Move program data in page 3 into the accumulator. | 1 | 1 | 1 | 0 | 0 | 0 | 1 | 1 | 2 | 1 | | | | | | | | | | |

Instruction Set (cont)

| Mnemonic | Function | Description | Operation Code | | | | | | | | Flags | | | | | | | |
|--------------------------|--|--|----------------|----------------|----------------|----------------|----------------|----------------|----------------|----------------|--------|-------|---|----|----|----|--|--|
| | | | D ₇ | D ₆ | D ₅ | D ₄ | D ₃ | D ₂ | D ₁ | D ₀ | Cycles | Bytes | C | AC | F0 | F1 | | |
| Data Moves (cont) | | | | | | | | | | | | | | | | | | |
| MOVX A, @ R | (A) ← ((Rr)); r = 0-1 | Move indirect the contents of external data memory into the accumulator. | 1 | 0 | 0 | 0 | 0 | 0 | 0 | 0 | 0 | 0 | r | 2 | 1 | | | |
| MOVX @ R, A | ((Rr)) ← (A); r = 0-1 | Move indirect the contents of the accumulator into external data memory. | 1 | 0 | 0 | 1 | 0 | 0 | 0 | 0 | 0 | r | 2 | 1 | | | | |
| XCH A, Rr | (A) ↔ (Rr); r = 0-7 | Exchange the accumulator and designated register's contents. | 0 | 0 | 1 | 0 | 1 | r | r | r | r | 1 | 1 | 1 | | | | |
| XCH A, @ Rr | (A) ↔ ((Rr)); r = 0-1 | Exchange indirect contents of accumulator and location in data memory. | 0 | 0 | 1 | 0 | 0 | 0 | 0 | r | 1 | 1 | 1 | 1 | | | | |
| XCHD A, @ Rr | (A ₀ -A ₃) ↔ ((Rr) ₀ -(Rr) ₃); r = 0-1 | Exchange indirect 4-bit contents of accumulator and data memory. | 0 | 0 | 1 | 1 | 0 | 0 | 0 | r | 1 | 1 | 1 | 1 | | | | |
| Flags | | | | | | | | | | | | | | | | | | |
| CPL C | (C) ← NOT (C) | Complement contents of carry bit. | 1 | 0 | 1 | 0 | 0 | 1 | 1 | 1 | 1 | 1 | 1 | 1 | 1 | • | | |
| CPL F0 | (F0) ← NOT (F0) | Complement contents of flag F0. | 1 | 0 | 0 | 1 | 0 | 1 | 0 | 1 | 1 | 1 | 1 | 1 | 1 | • | | |
| CPL F1 | (F1) ← NOT (F1) | Complement contents of flag F1. | 1 | 0 | 1 | 1 | 0 | 1 | 0 | 1 | 1 | 1 | 1 | 1 | 1 | • | | |
| CLR C | (C) ← 0 | Clear contents of carry bit to 0. | 1 | 0 | 0 | 1 | 0 | 1 | 1 | 1 | 1 | 1 | 1 | 1 | 1 | • | | |
| CLR F0 | (F0) ← 0 | Clear contents of flag 0 to 0. | 1 | 0 | 0 | 0 | 0 | 1 | 0 | 1 | 1 | 1 | 1 | 1 | 1 | • | | |
| CLR F1 | (F1) ← 0 | Clear contents of flag 1 to 0. | 1 | 0 | 1 | 0 | 0 | 1 | 0 | 1 | 1 | 1 | 1 | 1 | 1 | • | | |
| Input / Output | | | | | | | | | | | | | | | | | | |
| ANL BUS, # data | (bus) ← (bus) AND data | Logical AND immediate specified data with contents of bus. | 1 | 0 | 0 | 1 | 1 | 0 | 0 | 0 | 0 | 2 | 2 | 2 | | | | |
| ANL Pp, # data | (Pp) ← (Pp) AND data p = 1-2 | Logical AND immediate specified data with designated port (1 or 2). | 1 | 0 | 0 | 1 | 1 | 0 | p | p | p | 2 | 2 | 2 | | | | |
| ANLD Pp, A | (Pp) ← (Pp) AND (A ₀ -A ₃); p = 4-7 | Logical AND contents of accumulator with designated port (4-7). | 1 | 0 | 0 | 1 | 1 | 1 | p | p | p | 2 | 1 | 1 | | | | |
| IN A, Pp | (A) ← (Pp); p = 1-2 | Input data from designated port (1-2) into accumulator. | 0 | 0 | 0 | 0 | 1 | 0 | p | p | p | 2 | 1 | 1 | | | | |
| INS A, BUS | (A) ← (bus) | Input strobed bus data into accumulator. | 0 | 0 | 0 | 0 | 1 | 0 | 0 | 0 | 0 | 2 | 1 | 1 | | | | |
| MOVD A, Pp | (A ₀ -A ₃) ← (Pp); p = 4-7 (A ₄ -A ₇) ← 0 | Move contents of designated port (4-7) into accumulator. | 0 | 0 | 0 | 0 | 1 | 1 | p | p | p | 2 | 1 | 1 | | | | |
| MOVD Pp, A | (Pp) ← (A ₀ -A ₃); p = 4-7 | Move contents of accumulator to designated port (4-7). | 0 | 0 | 1 | 1 | 1 | 1 | p | p | p | 1 | 1 | 1 | | | | |
| ORL BUS, # data | (bus) ← (bus) OR data | Logical OR immediate specified data with contents of bus. | 1 | 0 | 0 | 0 | 1 | 0 | 0 | 0 | 0 | 2 | 2 | 2 | | | | |
| ORLD Pp, A | (Pp) ← (Pp) OR (A ₀ -A ₃); p = 4-7 | Logical OR contents of accumulator with designated port (4-7). | 1 | 0 | 0 | 0 | 1 | 1 | p | p | p | 1 | 1 | 1 | | | | |
| ORL Pp, # data | (Pp) ← (Pp) OR data p = 1-2 | Logical OR immediate specified data with designated port (1-2). | 1 | 0 | 0 | 0 | 1 | 0 | p | p | p | 2 | 2 | 2 | | | | |
| OUTL BUS, A | (bus) ← (A) | Output contents of accumulator onto bus. | 0 | 0 | 0 | 0 | 0 | 0 | 0 | 1 | 0 | 1 | 1 | 1 | | | | |
| OUTL Pp, A | (Pp) ← (A); p = 1-2 | Output contents of accumulator to designated port (1-2). | 0 | 0 | 1 | 1 | 1 | 1 | 0 | p | p | 1 | 1 | 1 | | | | |

Instruction Set (cont)

| Mnemonic | Function | Description | Operation Code | | | | | | | | | | | | | | | | Flags | | | | | | | | | | | | | | | | | |
|------------------------|--|---|-----------------|----------------|----------------|----------------|----------------|----------------|----------------|----------------|--------|-------|---|----|----|----|--|--|-------|--|--|--|--|--|--|--|--|--|--|--|--|--|--|--|--|--|
| | | | D ₇ | D ₆ | D ₅ | D ₄ | D ₃ | D ₂ | D ₁ | D ₀ | Cycles | Bytes | C | AC | F0 | F1 | | | | | | | | | | | | | | | | | | | | |
| Registers | | | | | | | | | | | | | | | | | | | | | | | | | | | | | | | | | | | | |
| DEC Rr (Rr) | (Rr) ← (Rr) - 1; r = 0-7 | Decrement by 1 contents of designated register. | 1 | 1 | 0 | 0 | 1 | r | r | r | 1 | 1 | | | | | | | | | | | | | | | | | | | | | | | | |
| INC Rr | (Rr) ← (Rr) + 1; r = 0-7 | Increment by 1 contents of designated register. | 0 | 0 | 0 | 1 | 1 | r | r | r | 1 | 1 | | | | | | | | | | | | | | | | | | | | | | | | |
| INC @ Rr | ((Rr)) ← ((Rr)) + 1; r = 0-1 | Increment indirect by 1 the contents of data memory location. | 0 | 0 | 0 | 1 | 0 | 0 | 0 | r | 1 | 1 | | | | | | | | | | | | | | | | | | | | | | | | |
| Subroutine | | | | | | | | | | | | | | | | | | | | | | | | | | | | | | | | | | | | |
| CALL addr | ((SP)) ← (PC), (PSW ₄ -PSW ₇), (SP) ← (SP) + 1 (PC ₈ -PC ₁₀) ← (addr ₈ -addr ₁₀) (PC ₀ -PC ₇) ← (addr ₀ -addr ₇) (PC ₁₁) ← DBF | Call designated subroutine. | a ₁₀ | a ₉ | a ₈ | 1 | 0 | 1 | 0 | 0 | 2 | 2 | | | | | | | | | | | | | | | | | | | | | | | | |
| RET | (SP) ← (SP) = 1 (PC) ← ((SP)) | Return from subroutine without restoring program status word. | 1 | 0 | 0 | 0 | 0 | 0 | 1 | 1 | 2 | 1 | | | | | | | | | | | | | | | | | | | | | | | | |
| RETR | (SP) ← (SP) = 1 (PC) ← ((SP)) (PSW ₄ -PSW ₇) ← ((SP)) | Return from subroutine restoring program status word. | 1 | 0 | 0 | 1 | 0 | 0 | 1 | 1 | 2 | 1 | | | | | | | | | | | | | | | | | | | | | | | | |
| Timer / Counter | | | | | | | | | | | | | | | | | | | | | | | | | | | | | | | | | | | | |
| EN TCNTI | | Enable internal interrupt flag for timer / counter output. | 0 | 0 | 1 | 0 | 0 | 1 | 0 | 1 | 1 | 1 | | | | | | | | | | | | | | | | | | | | | | | | |
| DIS TCNTI | | Disable internal interrupt flag for timer / counter output. | 0 | 0 | 1 | 1 | 0 | 1 | 0 | 1 | 1 | 1 | | | | | | | | | | | | | | | | | | | | | | | | |
| MOV A, T | (A) ← (T) | Move contents of timer / counter into accumulator. | 0 | 1 | 0 | 0 | 0 | 0 | 1 | 0 | 1 | 1 | | | | | | | | | | | | | | | | | | | | | | | | |
| MOV T, A | (T) ← (A) | Move contents of accumulator into timer / counter. | 0 | 1 | 1 | 0 | 0 | 0 | 1 | 0 | 1 | 1 | | | | | | | | | | | | | | | | | | | | | | | | |
| STOP TCNT | | Stop count for event counter. | 0 | 1 | 1 | 0 | 0 | 1 | 0 | 1 | 1 | 1 | | | | | | | | | | | | | | | | | | | | | | | | |
| STRT CNT | | Start count for event counter. | 0 | 1 | 0 | 0 | 0 | 1 | 0 | 1 | 1 | 1 | | | | | | | | | | | | | | | | | | | | | | | | |
| STRT T | | Start count for timer. | 0 | 1 | 0 | 1 | 0 | 1 | 0 | 1 | 1 | 1 | | | | | | | | | | | | | | | | | | | | | | | | |
| Miscellaneous | | | | | | | | | | | | | | | | | | | | | | | | | | | | | | | | | | | | |
| NOP | | No operation performed. | 0 | 0 | 0 | 0 | 0 | 0 | 0 | 0 | 1 | 1 | | | | | | | | | | | | | | | | | | | | | | | | |

Note:

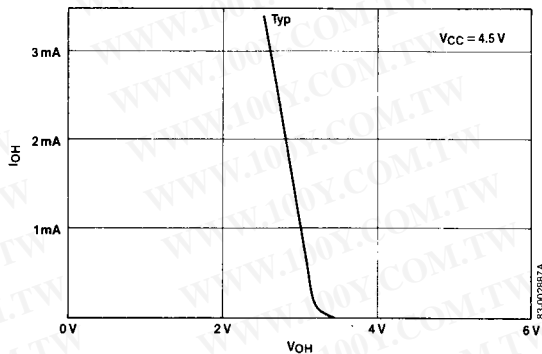
- Operation code designations r and p form the binary representation of the registers and ports involved.
- The dot under the appropriate flag bit indicates that its contents are subject to change by the instruction it appears in.
- References to the address and data are specified in bytes 2 and/or 1 of the instruction.
- Numerical subscripts appearing in the function column reference the specific bits affected.
- When the bus is written to with an OUTL instruction, the bus remains an output port until either the device is reset or a MOVX instruction is executed.

Instruction Set Symbol Definitions

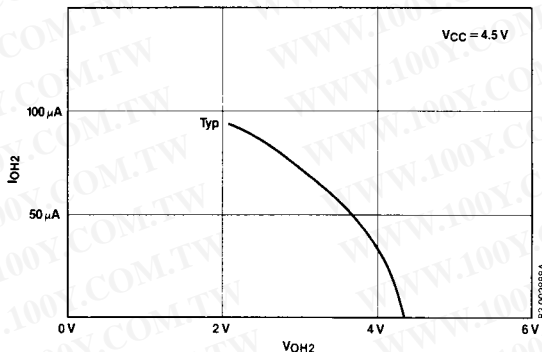
| Symbol | Description |
|----------------|--|
| A | Accumulator |
| AC | Auxiliary carry flag |
| addr | Program memory address (12 bits) |
| B _b | Bit designator (b=0-7) |
| BS | Bank switch |
| BUS | Bus port |
| C | Carry flag |
| CLK | Clock signal |
| CNT | Event counter |
| D | Nibble designator (4 bits) |
| data | Number of expression (8 bits) |
| DBF | Memory bank flip-flop |
| FO, F1 | Flags 0, 1 |
| I | Interrupt |
| P | "In-page" operation designator |
| Pp | Port designator (p=1, 2 or 4-7) |
| PSW | Program status word |
| Rr | Register designator (r=0, 1 or 0-7) |
| SP | Stack pointer |
| T | Timer |
| TF | Timer flag |
| T0, T1 | Testable flags 0, 1 |
| X | External RAM |
| # | Prefix for immediate data |
| @ | Prefix for indirect address |
| \$ | Program counter's current value |
| (x) | Contents of external RAM location |
| ((x)) | Contents of memory location addressed by the contents of external RAM location |
| ← | Replaced by |
| AND | Logical product (logical AND) |
| OR | Logical sum (logical OR) |
| EXOR | Exclusive-OR |

Operating Characteristics

Bus Output High Voltage vs. Source Current

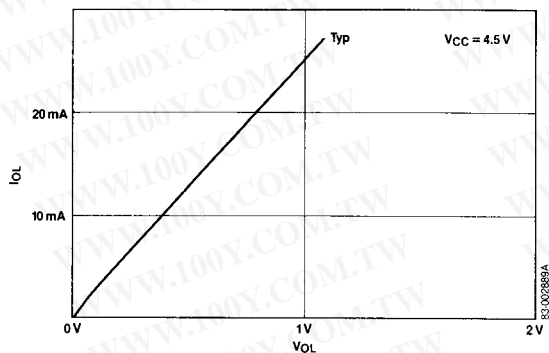


Port P1 & P2 Output High Voltage vs. Source Current



4

Bus Output Low Voltage vs. Sink Current



勝特力材料 886-3-5753170
 勝特力电子(上海) 86-21-34970699
 勝特力电子(深圳) 86-755-83298787
[Http://www.100y.com.tw](http://www.100y.com.tw)