

PRELIMINARY W79E225A/227A DATA SHEET



8-bit Microcontroller

Table of Contents-

1.	GENERAL DESCRIPTION	5
2.	FEATURES	6
3.	PARTS INFORMATION LIST	7
3.1	Lead Free (RoHS) Parts information list.....	7
4.	PIN CONFIGURATION	8
5.	PIN DESCRIPTION.....	10
5.1	Port 4	12
6.	MEMORY ORGANIZATION.....	13
6.1	Program Memory (on-chip Flash).....	13
6.2	Data Memory	13
6.3	Auxiliary SRAM	14
6.4	NVM Data Flash Memory	14
6.4.1	Operation.....	19
7.	SPECIAL FUNCTION REGISTERS	21
8.	INSTRUCTION SET.....	74
8.1	Instruction Timing.....	82
8.1.1	External Data Memory Access Timing.....	84
9.	POWER MANAGEMENT	87
9.1	Idle Mode	87
9.2	Power Down Mode	87
10.	RESET CONDITIONS.....	89
10.1	Sources of reset.....	89
10.1.1	External Reset.....	89
10.1.2	Power-On Reset (POR).....	89
10.1.3	Watchdog Timer Reset.....	89
10.2	Reset State	90
11.	INTERRUPTS	91
11.1	Interrupt Sources	91
11.2	Priority Level Structure	91
11.2.1	Response Time	95
12.	PROGRAMMABLE TIMERS/COUNTERS	96
12.1	Timer/Counters 0 & 1.....	96
12.1.1	Time-Base Selection	96
12.1.2	Mode 0	96
12.1.3	Mode 1	97
12.1.4	Mode 2	97
12.1.5	Mode 3	98

勝特力材料 886-3-5753170
勝特力电子(上海) 86-21-34970699
勝特力电子(深圳) 86-755-83298787
[Http://www.100y.com.tw](http://www.100y.com.tw)

Preliminary W79E225A/227A Data Sheet



12.2	Timer/Counter 2	98
12.2.1	Capture Mode	99
12.2.2	Auto-reload Mode, Counting up	99
12.2.3	Auto-reload Mode, Counting Up/Down	100
12.2.4	Baud Rate Generator Mode	101
13.	WATCHDOG TIMER	102
14.	PULSE-WIDTH-MODULATED (PWM) OUTPUTS	105
14.1	PWM Features	105
14.2	PWM Control Registers	106
14.3	PWM Pin Structures	108
14.4	Complementary PWM with Dead-time and Override functions	111
14.5	Dead-Time Insertion	112
14.6	PWM Output Override	113
14.7	Edge Aligned PWM (up-counter)	116
14.8	Center Aligned PWM (up/down counter)	119
14.9	Single Shot (Up-Counter)	121
14.10	Smart Fault Detector	124
14.11	PWM Power-down/Wakeup Procedures	126
15.	MOTION FEEDBACK MODULE	128
15.1	Input Capture Module (IC)	128
15.1.1	Compare Mode	136
15.1.2	Reload Mode	136
15.2	Quadrature Encoder Interface (QEI)	136
15.2.1	Free-counting mode	138
15.2.2	Compare-counting mode	138
15.2.3	X2/X4 Counting modes	138
15.2.4	Direction of Count	138
15.2.5	Up-Counting	140
15.2.6	Down-Counting	140
16.	SERIAL PORT	141
16.1	Mode 0	141
16.2	Mode 1	142
16.3	Mode 2	143
16.4	Mode 3	144
16.5	Framing Error Detection	144
16.6	Multiprocessor Communications	145
17.	I2C SERIAL PORTS	146
17.1	SIO Port	146
17.2	The I2C Control Registers	146
17.2.1	Slave Address Registers, I2ADDR	147
17.2.2	Data Register, I2DAT	147
17.2.3	Control Register, I2CON	147

Preliminary W79E225A/227A Data Sheet



17.2.4	Status Register, I2STATUS	148
17.2.5	I2C Clock Baud Rate Control, I2CLK	148
17.2.6	I2C Time-out Counter, I2Timer	148
17.2.7	I2C Maskable Slave Address	149
17.3	Modes of Operation	149
17.3.1	Master Transmitter Mode	149
17.3.2	Master Receiver Mode	149
17.3.3	Slave Receiver Mode	150
17.3.4	Slave Transmitter Mode	150
17.4	Data Transfer Flow in Five Operating Modes	150
17.4.1	Master/Transmitter Mode	151
17.4.2	Figure 17-5: Master Transmitter ModeMaster/Receiver Mode	152
17.4.3	Slave/Transmitter Mode	153
17.4.4	Slave/Receiver Mode	154
17.4.5	GC Mode	155
18.	SERIAL PERIPHERAL INTERFACE (SPI)	156
18.1	General descriptions	156
18.2	Block descriptions	156
18.3	Functional descriptions	158
18.3.1	Master mode	158
18.3.2	Slave Mode	161
18.3.3	Slave select	165
18.3.4	/SS output	165
18.3.5	SPI I/O pins mode	166
18.3.6	Programmable serial clock's phase and polarity	167
18.3.7	Receive double buffered data register	168
18.3.8	LSB first enable	169
18.3.9	Write Collision detection	169
18.3.10	Transfer complete interrupt	169
18.3.11	Mode Fault	169
19.	ANALOG-TO-DIGITAL CONVERTER	172
19.1	Operation of ADC	172
19.2	ADC Resolution and Analog Supply	173
20.	TIMED ACCESS PROTECTION	174
21.	PORT 4 STRUCTURE	176
22.	IN-SYSTEM PROGRAMMING	179
22.1	The Loader Program Locates at LDFlash Memory	179
22.2	The Loader Program Locates at APFlash Memory	179
23.	OPTION BITS	180
23.1	Config0	180
23.2	Config1	181
24.	ELECTRICAL CHARACTERISTICS	182
24.1	Absolute Maximum Ratings	182

Preliminary W79E225A/227A Data Sheet



24.2	DC Characteristics	182
24.3	AC Characteristics	185
24.3.1	External Clock Characteristics	185
24.3.2	AC Specification	185
24.3.3	MOVX Characteristics Using Stretch Memory Cycle	186
24.4	The ADC Converter DC ELECTRICAL CHARACTERISTICS	188
24.5	I2C Bus Timing Characteristics	188
24.6	Program Memory Read Cycle	189
24.7	Data Memory Read Cycle	190
24.8	Data Memory Write Cycle	190
25.	TYPICAL APPLICATION CIRCUITS	191
25.1	Expanded External Program Memory and Crystal	191
25.2	Expanded External Data Memory and Oscillator	191
26.	PACKAGE DIMENSION	192
26.1	44L PLCC	192
26.2	48L LQFP (7x7x1.4mm footprint 2.0mm)	193
27.	APPLICATION NOTE	194
28.	REVISION HISTORY	200

勝特力材料 886-3-5753170
勝特力电子(上海) 86-21-34970699
勝特力电子(深圳) 86-755-83298787
[Http://www.100y.com.tw](http://www.100y.com.tw)

Preliminary W79E225A/227A Data Sheet



1. GENERAL DESCRIPTION

The W79E225/227 is a fast, 8051/52-compatible microcontroller with a redesigned processor core that eliminates wasted clock and memory cycles. Typically, the W79E225/227 executes instructions 1.5 to 3 times faster than that of the traditional 8051/52, depending on the type of instruction, and the overall performance is about 2.5 times better at the same crystal speed. As a result, with the fully-static CMOS design, the W79E225/227 can accomplish the same throughput with a lower clock speed, reducing power consumption.

The W79E225/227 provides **256** bytes of on-chip RAM; **1/2**-KB of NVM memory Flash EPROM; **1/2**-KB of auxiliary RAM; **four** 8-bit, bi-directional and bit-addressable I/O ports; an additional **4**-bit port P4 and **2**-bit port P5; **three** 16-bit timer/counters; Motion Feedback Module support; **2** UART serial ports; **1** channels of I2C with master/slave capability; **1** channels of Serial Peripheral Interface (SPI), **8** channels of **12** bit PWM with configurable dead time and **8** channels of 10-bit ADC. These peripherals are all supported by **20** interrupt sources with **4** levels of priority.

The W79E225/227 also contains a **16/64**-KB Flash EPROM whose contents may be updated in-system by a loader program stored in an auxiliary, **4**-KB Flash EPROM. Once the contents are confirmed, it can be protected for security.

勝特力材料 886-3-5753170
勝特力电子(上海) 86-21-34970699
勝特力电子(深圳) 86-755-83298787
[Http://www.100y.com.tw](http://www.100y.com.tw)

Preliminary W79E225A/227A Data Sheet



2. FEATURES

- Fully-static-design 8-bit 4T-8051 CMOS microcontroller up to 40MHz.
- **16/64**-KB of in-system-programmable Flash EPROM (AP Flash EPROM).
- **4**-KB of Auxiliary Flash EPROM for the loader program (LD Flash EPROM). User can optionally reboot from LD Flash EPROM by pull low at either P4.3 or P3.6 and P3.7, at external reset.
- **1/2**-KB auxiliary RAM, software-selectable, accessed by MOVX instruction.
- **1/2**-KB of NVM Data Flash EPROM for customer data storage used.
- 256 bytes of scratch-pad RAM.
- Four 8-bit bi-directional ports; Port 0 has internal pull-up resistors enabled by software.
- Multipurpose I/O port4 (4 bits for 48L LQFP; 2 bits for 44L PLCC) with Chips select (CS) and boot function.
- Two bits bi-directional port5.
- Three 16-bit timers.
- One 16-bit Timer 3 for Motion Feed-Back Module.
- Motion Feedback Module - QEI decoder and 3 Inputs Capture.
- Eight channels of 12-bit PWM:-
 - Complementary paired output with programmable dead-time insertion.
 - Three modes: Edge aligned, center aligned and single shot.
 - Output override control for BLDC motor application.
- 10-bit ADC with 8-channel inputs.
- Two enhanced full-duplex UART with framing-error detection and automatic address recognition.
- One channel of I2C with master/slave capability.
- One channel of SPI with master/slave capability.
- Software programmable access cycle to external RAM/peripherals.
- 20 interrupt sources with four levels of priority.
- Software reset function.
- Optional H/L state of ALE/PSEN during power down mode.
- Built-in power management.
- Code protection.
- Package:
 - Lead Free (RoHS) PLCC 44: W79E225APG
 - Lead Free (RoHS) LQFP 48: W79E225AFG
 - Lead Free (RoHS) PLCC 44: W79E227APG
 - Lead Free (RoHS) LQFP 48: W79E227AFG

勝特力材料 886-3-5753170
勝特力电子(上海) 86-21-34970699
勝特力电子(深圳) 86-755-83298787
[Http://www.100y.com.tw](http://www.100y.com.tw)

Preliminary W79E225A/227A Data Sheet



3. PARTS INFORMATION LIST

3.1 Lead Free (RoHS) Parts information list

PART NO.	EPROM FLASH SIZE	RAM	OPERATING FREQUENCY	OPERATING VOLTAGE	NVM FLASH EPROM	PACKAGE	REMARK
W79E225APG	16KB	256B + 1KB	up to 40MHz up to 20MHz	4.5V ~ 5.5V 2.7V ^[1] ~ 5.5V	1KB	PLCC-44 Pin	Internal memory
			up to 24MHz	4.5V ~ 5.5V			External memory
W79E225AFG	16KB	256B+ 1KB	up to 40MHz up to 20MHz	4.5V ~ 5.5V 2.7V ^[1] ~ 5.5V	1KB	LQFP-48 Pin	Internal memory
			up to 24MHz	4.5V ~ 5.5V			External memory
W79E227APG	64KB	256B + 2KB	up to 40MHz up to 20MHz	4.5V ~ 5.5V 2.7V ^[1] ~ 5.5V	2KB	PLCC-44 Pin	Internal memory
			up to 24MHz	4.5V ~ 5.5V			External memory
W79E227AFG	64KB	256B + 2KB	up to 40MHz up to 20MHz	4.5V ~ 5.5V 2.7V ^[1] ~ 5.5V	2KB	LQFP-48 Pin	Internal memory
			up to 24MHz	4.5V ~ 5.5V			External memory

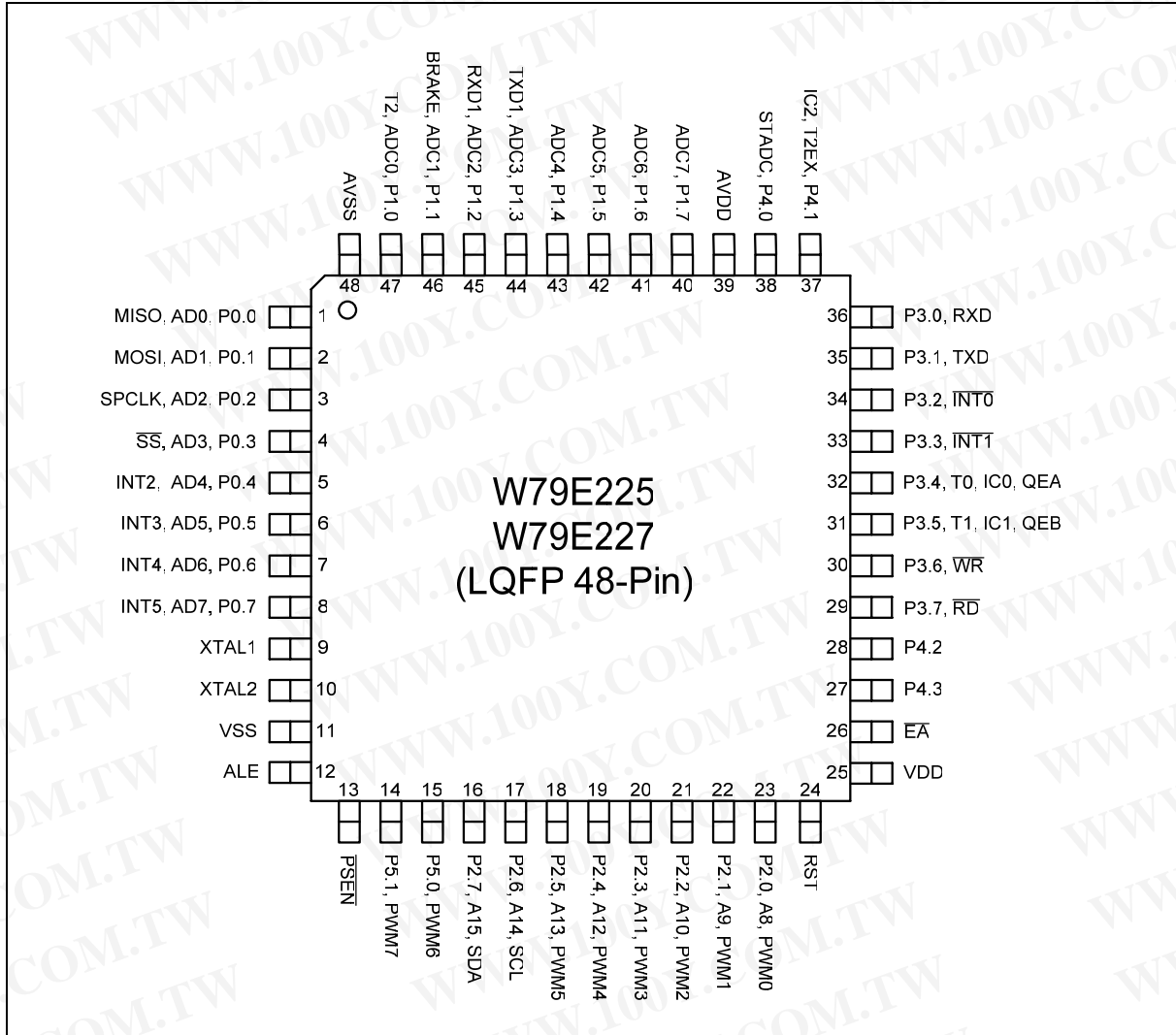
Note: 1. Minimum of 3.0V operating voltage for NVM program and erase operations.

勝特力材料 886-3-5753170
 勝特力电子(上海) 86-21-34970699
 勝特力电子(深圳) 86-755-83298787
[Http://www.100y.com.tw](http://www.100y.com.tw)

Preliminary W79E225A/227A Data Sheet

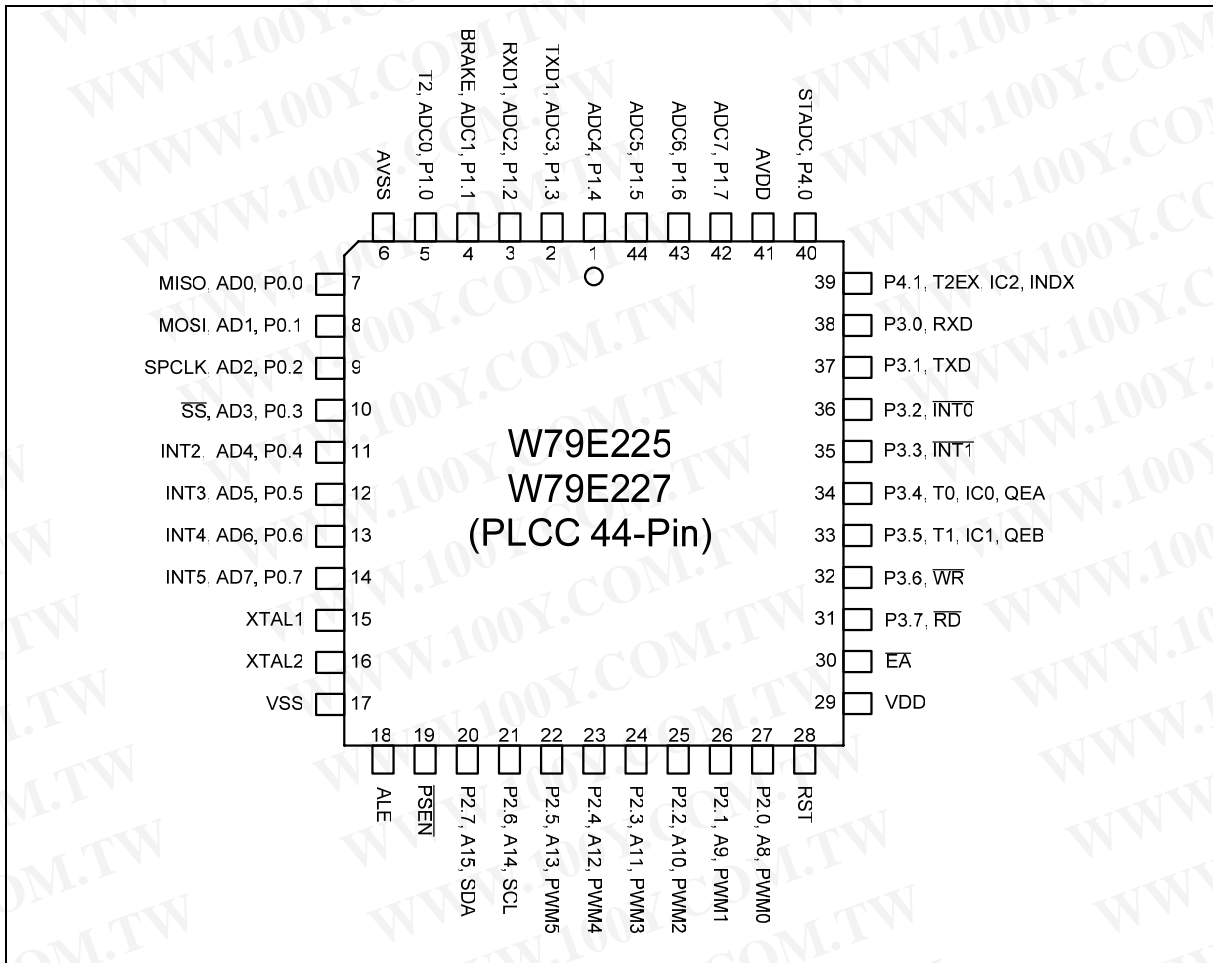


4. PIN CONFIGURATION



勝特力材料 886-3-5753170
 勝特力电子(上海) 86-21-34970699
 勝特力电子(深圳) 86-755-83298787
[Http://www.100y.com.tw](http://www.100y.com.tw)

Preliminary W79E225A/227A Data Sheet



勝特力材料 886-3-5753170
 勝特力电子(上海) 86-21-34970699
 勝特力电子(深圳) 86-755-83298787
[Http://www.100y.com.tw](http://www.100y.com.tw)

Preliminary W79E225A/227A Data Sheet



5. PIN DESCRIPTION

SYMBOL	TYPE	INITIAL STATE	DESCRIPTIONS
\overline{EA}	I	-	EXTERNAL ACCESS ENABLE: This pin forces the processor to execute from external ROM. The ROM address and data are not presented on the bus if the \overline{EA} pin is high. Note: This pin has no internal pull-up or pull-down. The pin needs externally pull-up to execute from internal APROM. For executing from external APROM, the pin needs externally pull-down. The pin state is internally latched during all reset. User needs to take note that changes to \overline{EA} pin state after reset will not be effective.
\overline{PSEN}	O H	High	PROGRAM STORE ENABLE: \overline{PSEN} enables the external ROM data in the Port 0 address/data bus. When internal ROM access is performed, \overline{PSEN} strobe signal will not be output from this pin.
ALE	O H	High	ADDRESS LATCH ENABLE: ALE enables the address latch that separates the address from the data on Port 0.
RST	I L	-	RESET: Set this pin high for two machine cycles while the oscillator is running to reset the device.
XTAL1	I	-	CRYSTAL 1: Crystal oscillator input or external clock input.
XTAL2	O	-	CRYSTAL 2: Crystal oscillator output.
V_{SS}	I	-	GROUND: Ground potential.
V_{DD}	I	-	POWER SUPPLY: Supply voltage for operation.
AVDD	I	-	Analog power supply.
AVSS	I	-	Analog ground potential.
P0.0–P0.7	I/O D S H	High-Z	PORT 0: Port 0 is an open-drain bi-directional I/O port. This port also provides a multiplexed low byte address/data bus during accesses to external memory. There is an embedded weakly pull-up resistor on each port 0 pin which can be enabled or disabled by setting or clearing of PUP0, bit0 in A2h. The ports have alternate functions which are described below: P0.0, AD0, MISO P0.1, AD1, MOSI P0.2, AD2, SPCLK P0.3, AD3, /SS P0.4, AD4, INT2 P0.5, AD5, INT3 P0.6, AD6, INT4 P0.7, AD7, INT5

勝特力材料 886-3-5753170
 勝特力电子(上海) 86-21-34970699
 勝特力电子(深圳) 86-755-83298787
[Http://www.100y.com.tw](http://www.100y.com.tw)

Publication Release Date: December 14, 2007

Preliminary W79E225A/227A Data Sheet



PIN DESCRIPTION, continued

SYMBOL	TYPE	INITIAL STATE	DESCRIPTIONS
P1.0–P1.7	I/O S H	High	<p>PORT 1: 8-bit, bi-directional I/O port with internal pull-ups. The ports have alternate functions which are described below:</p> <p>P1.0, ADC0, T2 P1.1, ADC1, BRAKE P1.2, ADC2, RXD1 P1.3, ADC3, TXD1 P1.4, ADC4 P1.5, ADC5 P1.6, ADC6 P1.7, ADC7</p>
P2.0–P2.5	I/O S	Tri-state	<p>PORT 2: 8-bit, bi-directional I/O port. This port also provides the upper address bits for accesses to external memory. P2.6 to P2.7 can be software configured as I2C serial ports. P2.0 to P2.5 also provides PWM0 to PWM5 outputs.</p> <p>P2.0, A8, PWM0 P2.1, A9, PWM1 P2.2, A10, PWM2 P2.3, A11, PWM3 P2.4, A12, PWM4 P2.5, A13, PWM5 P2.6, A14, SCL P2.7, A15, SDA</p>
P2.6–P2.7	I/O D	High-Z	<p>Note: P2.6 and P2.7 are permanent open drain pins. When access to external memory beyond 16K region, user requires to add external pull-up registers (up to 2Kohm) on these pins. This will result in slight increase in current consumption.</p>
P3.0–P3.7	I/O S H	High	<p>PORT 3: 8-bit, bi-directional I/O port with internal pull-ups. The ports have alternate functions which are described below:</p> <p>P3.0, RXD P3.1, TXD P3.2, /INT0 P3.3, /INT1 P3.4, T0, IC0, QEA P3.5, T1, IC1, QEB P3.6, /WR P3.7, /RD</p>

勝特力材料 886-3-5753170
 勝特力电子(上海) 86-21-34970699
 勝特力电子(深圳) 86-755-83298787
[Http://www.100y.com.tw](http://www.100y.com.tw)

Publication Release Date: December 14, 2007

Preliminary W79E225A/227A Data Sheet



PIN DESCRIPTION, continued

SYMBOL	TYPE	INITIAL STATE	DESCRIPTIONS
P4.0-P4.3	I/O S H	High	PORT 4: 4-bit multipurpose programmable I/O port with alternate functions. The Port 4 has four different operation modes. P4.0, STADC P4.1, T2EX, IC2 P4.2 P4.3 <i>Note: P4.2 & P4.3 are not supported in PLCC44 pins package.</i>
P5.0-P5.1	I/O S	Tri-state	PORT 5: 2-bit, bit-directional I/O port. This port is not bit addressable. The alternate functions are described below: P5.0, PWM6 P5.1, PWM7 <i>Note: P5.0 & P5.1 are not supported in PLCC44 pins package.</i>

Note : TYPE I: input, O: output, I/O: bi-directional, H: pull-high, L: pull-low, D: open drain S: Schmitt Trigger

5.1 Port 4

Port 4, SFR P4 at address A5H, is a 4-bit multipurpose programmable I/O port which functions are I/O and chip-select function. It has four different operation modes:

- Mode 0 - P4.0 ~ P4.3 is 4-bit bi-directional I/O port which is the same as port 1. The default Port 4 is a general I/O function.
- Mode1 - P4.0 ~ P4.3 are read data strobe signals which are synchronized with \overline{RD} signal at specified addresses. These read data strobe signals can be used as chip-select signals for external peripherals.
- Mode2 - P4.0 ~ P4.3 are write data strobe signals which are synchronized with \overline{WR} signal at specified addresses. These write data strobe signals can be used as chip-select signals for external peripherals.
- Mode3 - P4.0 ~ P4.3 are read/write data strobe signals which are synchronized with \overline{RD} or \overline{WR} signal at specified addresses. These read/write data strobe signals can be used as chip-select signals for external peripherals.

When Port 4 is configured with the feature of chip-select signals, the chip-select signal address range depends on the contents of the SFR P4xAH, P4xAL, P4CONA and P4CONB. P4xAH and P4xAL contain the 16-bit base address of P4.x. P4CONA and P4CONB contain the control bits to configure the Port 4 operation mode.

勝特力材料 886-3-5753170
 勝特力电子(上海) 86-21-34970699
 勝特力电子(深圳) 86-755-83298787
[Http://www.100y.com.tw](http://www.100y.com.tw)

Publication Release Date: December 14, 2007

Preliminary W79E225A/227A Data Sheet



6. MEMORY ORGANIZATION

The W79E225/227 separates the memory into two sections; Program Memory and Data Memory. Program Memory stores instruction op-codes, while Data Memory stores data or memory-mapped devices.

6.1 Program Memory (on-chip Flash)

W79E225/227 includes one **16/64K** bytes of main FLASH EPROM for application program (AP FLASH EPROM) and one 4K bytes of FLASH EPROM for loader program (LD FLASH EPROM) to operate the in-system programming (ISP) feature, and one **1/2K** bytes of NVM Flash EPROM for data storage. The **16/64K** bytes Flash EPROM is AP0 bank. The default active bank is AP0.

In normal operation, the microcontroller will execute the code from main FLASH EPROM. By setting program registers, user can force the microcontroller to switch to programming mode which will cause it to execute the code (loader program) from the 4K bytes of auxiliary LD FLASH EPROM to update the contents of the **16/64K** bytes of main FLASH EPROM. After reset, the microcontroller will execute the new application program in the main FLASH EPROM. This ISP feature makes the job easy and efficient in which the application needs to update firmware frequently without opening the chassis.

6.2 Data Memory

W79E225/227 can access up to 64Kbytes of external Data Memory. This memory region is accessed by the MOVX instructions. Unlike the 8051 derivatives, W79E225/227 contains on-chip **1/2** Kbytes of Data Memory, which only can be accessed by MOVX instructions. These **1/2** Kbytes of SRAM is between address 0000h and **03FFH/07FFH**. Access to the on-chip Data Memory is optional under software control. When enabled by DME0 bit of PMR register, a MOVX instruction that uses this area will go to the on-chip RAM. If MOVX instruction accesses the addresses greater than **03FFH/07FFH** CPU will automatically access external memory through Port 0 and 2. When disabled, the **1/2** KB memory area is transparent to the system memory map. Any MOVX directed to the space between 0000h and FFFFH goes to the expanded bus on the Port 0 and 2. This is the default condition. In addition, the device has the standard 256 bytes of on-chip RAM. This can be accessed either by direct addressing or by indirect addressing. There are also some Special Function Registers (SFRs), which can only be accessed by direct addressing.

勝特力材料 886-3-5753170
勝特力电子(上海) 86-21-34970699
勝特力电子(深圳) 86-755-83298787
[Http://www.100y.com.tw](http://www.100y.com.tw)

Preliminary W79E225A/227A Data Sheet

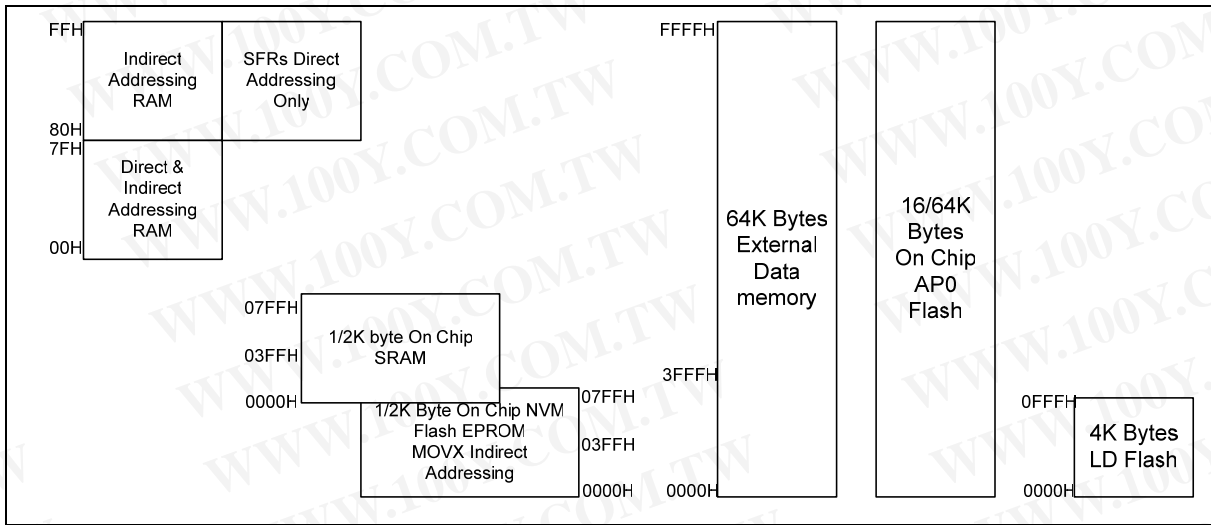


Figure 6-1: W79E225/227A Memory Map

6.3 Auxiliary SRAM

W79E225/227 has a **1/2** KB of data space SRAM which is read/write accessible and is memory mapped. This on-chip SRAM is accessed by the MOVX instruction. There is no conflict or overlap among the 256 bytes scratch-pad memory and the **1/2** KB auxiliary sram as they use different addressing modes and instructions. Access to the on-chip Data Memory is optional under software control. Set DME0 bit of PMR SFR to 1 will enable the on-chip **1/2** KB MOVX SRAM and at the same time EnNVM bit must be cleared as NVM memory uses the same instruction of MOVX. Refer to.

6.4 NVM Data Flash Memory

W79E225/227 **1/2**-KB NVM memory block shown in the diagram on

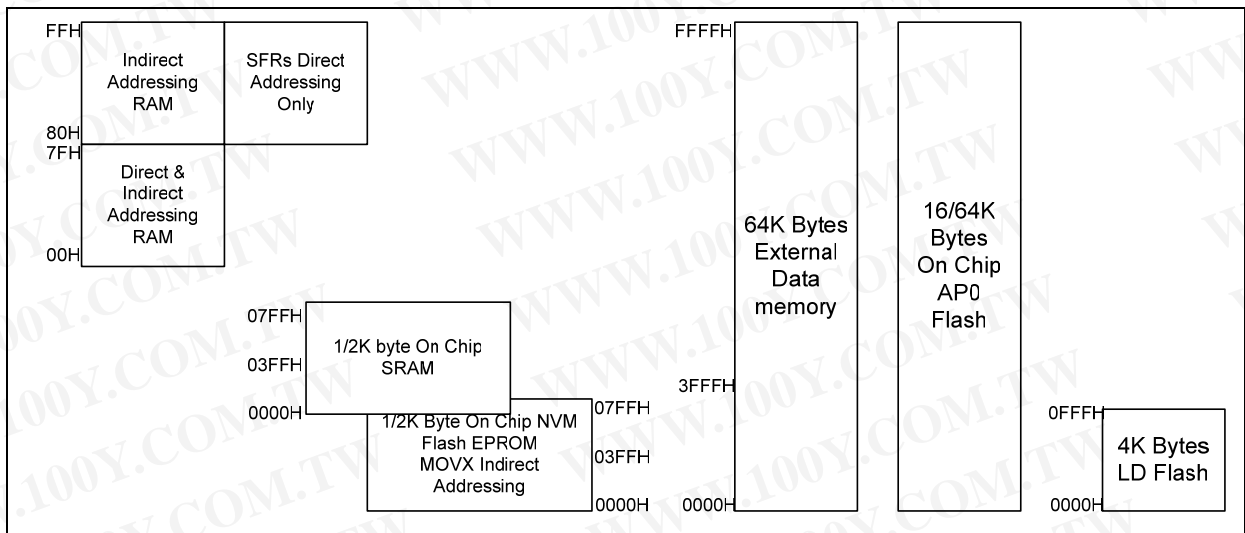


Figure 6-1: shares the same address as AUX-RAM address.

勝特力材料 886-3-5753170
 勝特力电子(上海) 86-21-34970699
 勝特力电子(深圳) 86-755-83298787
[Http://www.100y.com.tw](http://www.100y.com.tw)

Preliminary W79E225A/227A Data Sheet



Due to overlapping of AUX-RAM, NVM data memory and external data memory physical address, the following table is defined. EnNVM bit (NVMCON.5) will enable read access to NVM data memory area. DME0 (PMR.0) will enable read access to AUX-RAM.

ENNVN	DME0	DATA MEMORY AREA
0	0	Enable External RAM read/write access by MOVX
0	1	Enable AUX-RAM read/write access by MOVX
1	X	Enable NVM data Memory read access by MOVX only. If EER or EWR is set and NVM flash erase or write control is busy, to set this bit read NVM data is invalid.

Table 6-1: Bits setting for MOVX access to Data Memory Area

INSTRUCTIONS		ENNVN = 1	
		NVM SIZE = SRAM (1K)	
		ADDR ≤ 1K	ADDR > 1K
Read access	MOVX A, @DPTR (Read)	NVM ¹	Ext memory ¹
	MOVX A, @R0 (Read)	NVM ²	NOP
	MOVX A, @R1 (Read)	NVM ²	NOP
Write access	MOVX @DPTR, A (Write)	NOP	Ext memory ¹
	MOVX @R0, A (Write)	NOP	NOP
	MOVX @R1, A (Write)	NOP	NOP

Table 6-2: W79E225 MOVX read/write access destination

INSTRUCTIONS		ENNVN = 1	
		NVM SIZE = SRAM (2K)	
		ADDR ≤ 2K	ADDR > 2K
Read access	MOVX A, @DPTR (Read)	NVM ¹	Ext memory ¹
	MOVX A, @R0 (Read)	NVM ²	NOP
	MOVX A, @R1 (Read)	NVM ²	NOP
Write access	MOVX @DPTR, A (Write)	NOP	Ext memory ¹
	MOVX @R0, A (Write)	NOP	NOP
	MOVX @R1, A (Write)	NOP	NOP

Table 6-3: W79E227 MOVX read/write access destination

Note:

1. A15~A0=DPTR
2. A15~A8=XRAMAH

勝特力材料 886-3-5753170
 勝特力电子(上海) 86-21-34970699
 勝特力电子(深圳) 86-755-83298787
[Http://www.100y.com.tw](http://www.100y.com.tw)

Preliminary W79E225A/227A Data Sheet



It is partition into 16/32 pages area and each page has 64 bytes data as below figure. The page 0 is from 0000h ~ 003Fh, page 1 is from 0040h ~ 007Fh until page 31 address located at 07C0h ~ 07FFh.

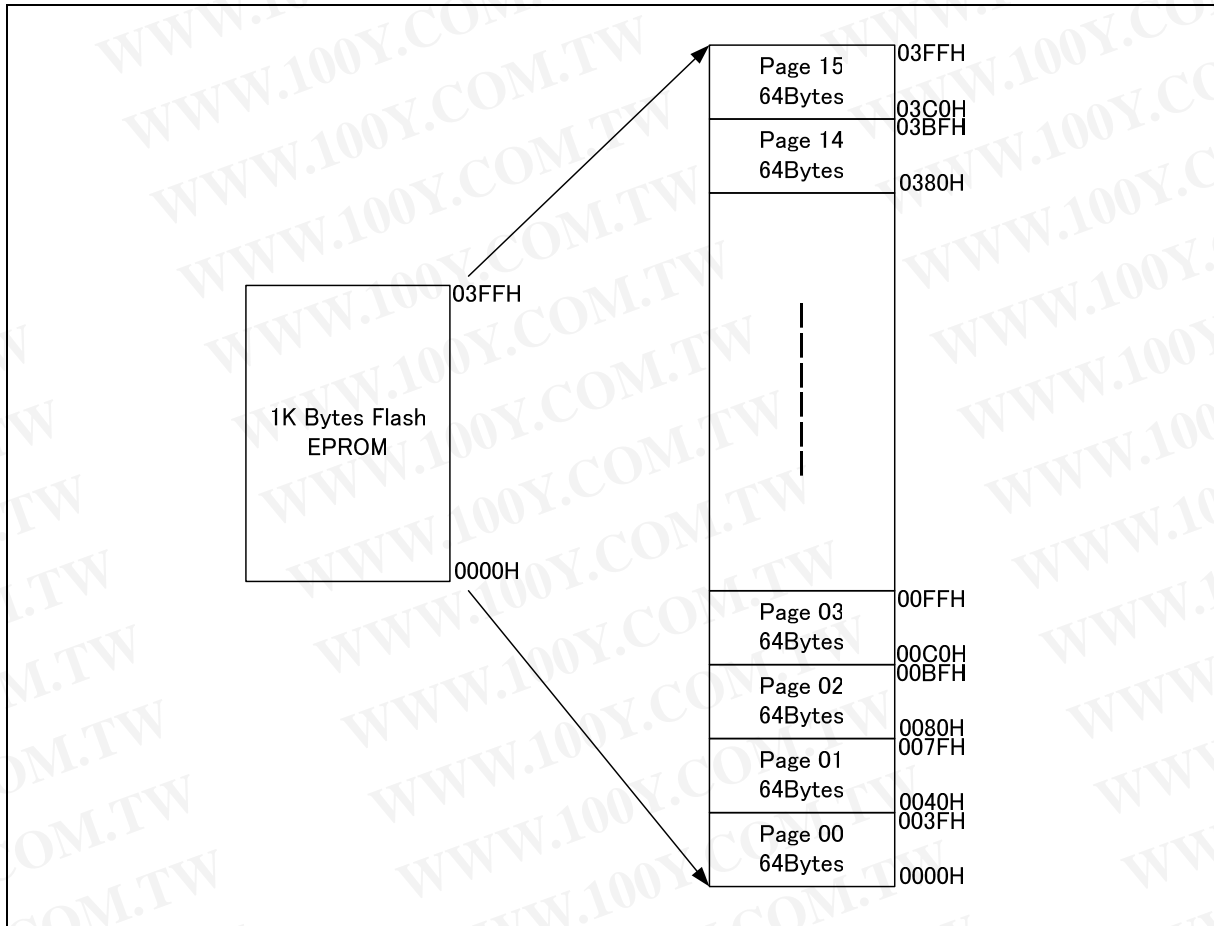


Figure 6-2: W79E225 NVM Memory Mapping

勝特力材料 886-3-5753170
 勝特力电子(上海) 86-21-34970699
 勝特力电子(深圳) 86-755-83298787
[Http://www.100y.com.tw](http://www.100y.com.tw)

Preliminary W79E225A/227A Data Sheet

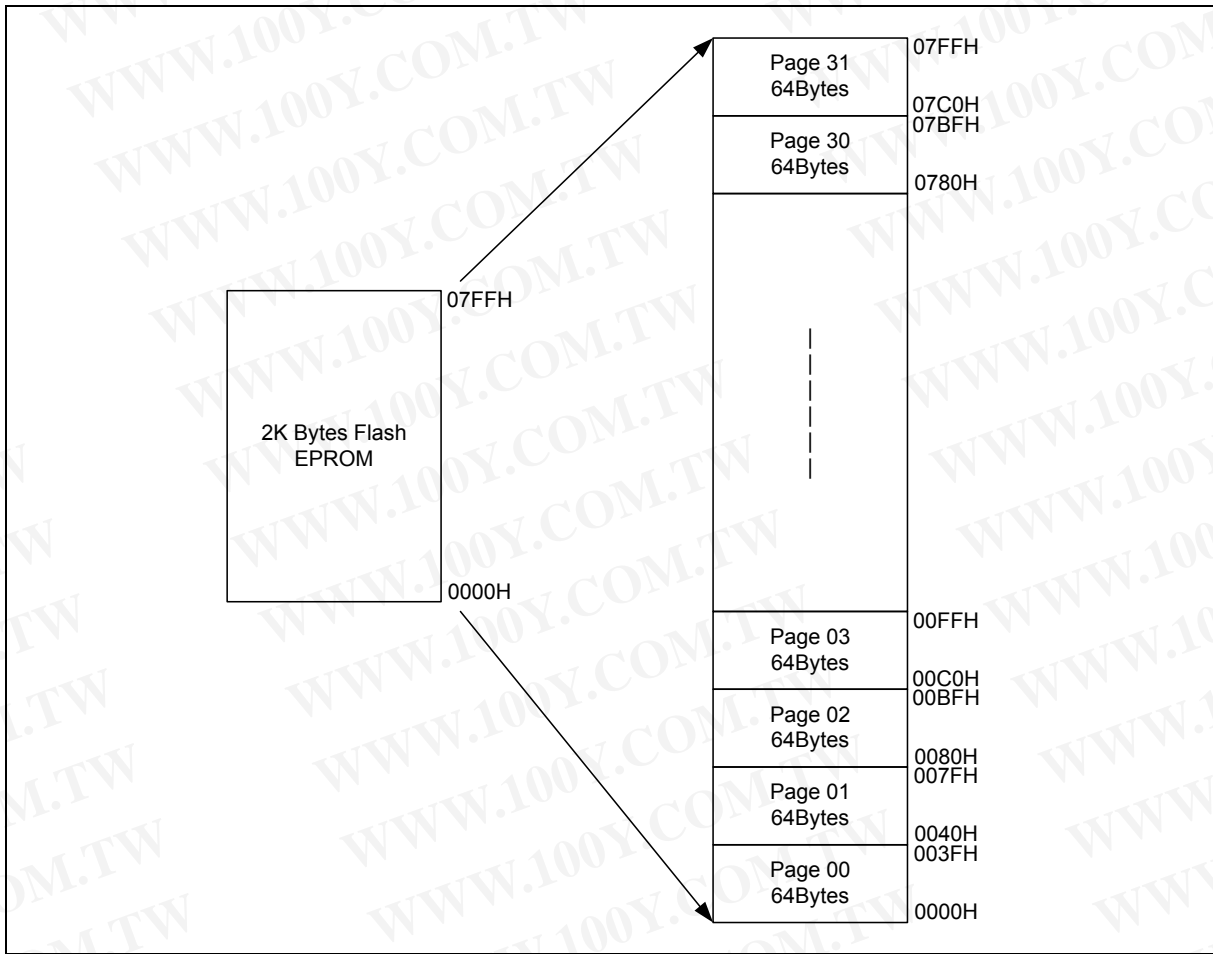


Figure 6-3: W79E227 NVM Memory Mapping

勝特力材料 886-3-5753170
 勝特力电子(上海) 86-21-34970699
 勝特力电子(深圳) 86-755-83298787
[Http://www.100y.com.tw](http://www.100y.com.tw)

Preliminary W79E225A/227A Data Sheet



PAGE	START ADDRESS	END ADDRESS	PAGE	START ADDRESS	END ADDRESS
0	0000h	003Fh	16	0400h	043Fh
1	0040h	007Fh	17	0440h	047Fh
2	0080h	00BFh	18	0480h	04BFh
3	00C0h	00FFh	19	04C0h	04FFh
4	0100h	013Fh	20	0500h	053Fh
5	0140h	017Fh	21	0540h	057Fh
6	0180h	01BFh	22	0580h	05BFh
7	01C0h	01FFh	23	05C0h	05FFh
8	0200h	023Fh	24	0600h	063Fh
9	0240h	027Fh	25	0640h	067Fh
10	0280h	02BFh	26	0680h	06BFh
11	02C0h	02FFh	27	06C0h	06FFh
12	0300h	033Fh	28	0700h	073Fh
13	0340h	037Fh	29	0740h	077Fh
14	0380h	03BFh	30	0780h	07BFh
15	03C0h	03FFh	31	07C0h	07FFh

[Note: Page 16-31 is for W79E227 only]

Table 6-4: W79E225/227 NVM page (n) area definition table

It has a dedicated On-Chip RC Oscillator that is fixed at 6MHz +/- 25% frequency to support clock source for the 1/2K NVM data Flash Memory. The on chip oscillator is enabled only during program or erase operation, through EWR or EER in NVMCON SFR. EWR or EER bits are cleared by hardware after program or erase operation completed. The program/erase time is automatically controlled by hardware.

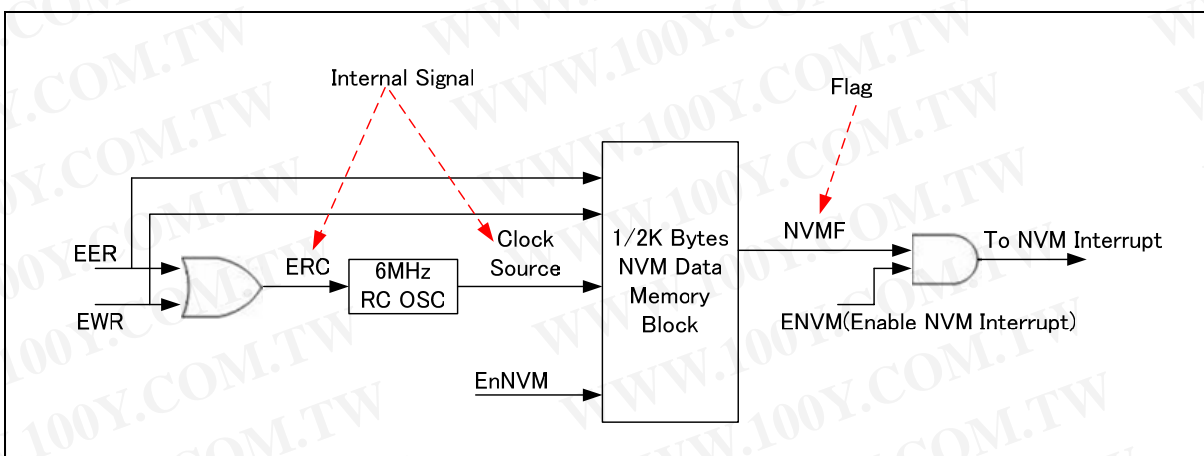


Figure 6-4: NVM control

勝特力材料 886-3-5753170
 勝特力电子(上海) 86-21-34970699
 勝特力电子(深圳) 86-755-83298787
[Http://www.100y.com.tw](http://www.100y.com.tw)

Publication Release Date: December 14, 2007
Revision A2.0

Preliminary W79E225A/227A Data Sheet



6.4.1 Operation

User is required to enable EnNVM (NVMCON.5) bit for all NVM access (read/write/erase).

Before write data to NVM memory, the page must be erased. A page is erased by setting page address which address will decode and enable page (n) on NVMADDRH and NVMADDRL, then set EER (NVMCON.7) and EnNVM (NVMCON.5). The device will then automatic execute page erase. When completed, NVMF will be set by hardware. NVMF should be cleared by software. Interrupt request will be generated if ENVM (EIE1.5) is enabled. EER bit will be cleared by hardware when erase is completed. The total erase time is about 5ms.

For write, user must set address and data to NVMADDRH/L and NVMDAT, respectively. And then set EWR (NVMCON.6) and EnNVM (NVMCON.5) to enable data write. When completed, the device will set NVMF flag. NVMF flag should be cleared by software. Similarly, interrupt request will be generated if ENVM (EIE1.5) is enabled. The program time is about 50us.

The following shows some examples of NVM operations (using W79E227):

Read NVM data is by MOVX A,@DPTR/R0/R1 instruction:

A read exceed 2k will read the external address

Example1: DPTR=0x07FF, R0/R1 = 0xFF, XRAMAH=0x07, EnNVM=1

MOVX A,@DPTR → read NVM data at address 0x07FF

MOVX A,@R0 → read NVM data at address 0x07FF

MOVX A,@R1 → read NVM data at address 0x07FF

Example2: DPTR = 0x2000, EnNVM=1, DME0=0

MOVX A,@DPTR → read external RAM data at address 0x2000,

Erase NVM by SFR register:

Example1: NVMADDRH = 0x07, NVMADDRL = 0xF0, page 31 will be enabled. After set EER, the page 31 will be erased.

Example2: NVMADDRH = 0x10, NVMADDRL = 0x00, invalid NVM erase instruction (address exceed NVM boundary).

Write NVM by SFR register:

Example1: NVMADDRH = 0x07, NVMADDRL = 0xF0

After set EWR, data will be written to the NVM address = 0x07F0 location.

Example2: NVMADDRH = 0x10, NVMADDRL = 0x00, after set EWR, invalid NVM write instruction (address exceed NVM boundary).

During erase, write is invalid. Likewise, during write, erase is invalid. An erase or write is invalid if NVMF is not clear by software. A write to NVMADDRH and NVMADDRL is invalid during Erase or Write, and a write to NVMDAT is invalid only during NVM write access.

勝特力材料 886-3-5753170
勝特力电子(上海) 86-21-34970699
勝特力电子(深圳) 86-755-83298787
[Http://www.100y.com.tw](http://www.100y.com.tw)

Publication Release Date: December 14, 2007

Preliminary W79E225A/227A Data Sheet

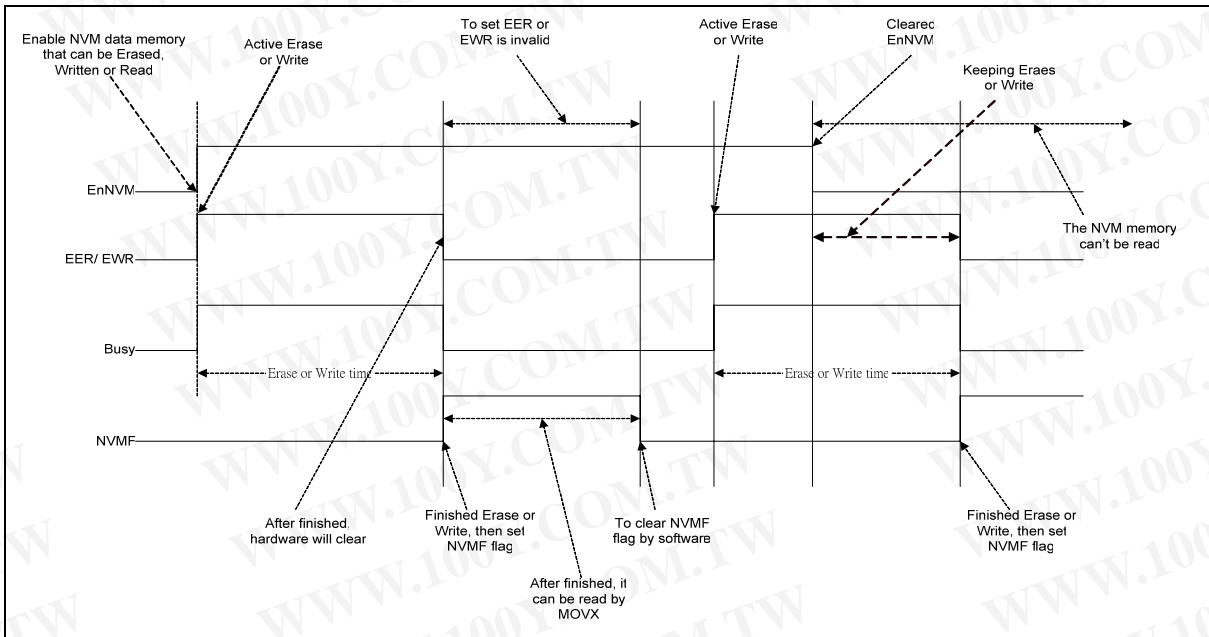


Figure 6-5: NVM data memory control timing

For security purposes, this NVM data flash provides an independent “Lock bit” located in Security bits. It is used to protect the customer’s 1/2K bytes of data code. It may be enabled after the external programmer finishes the programming and verifying sequence. Once this bit is set to logic 0, the 1/2K bytes of NVM Flash EPROM data can not be accessed again by external device.

- Note:**
1. NVMF can be polled or by h/w interrupt to indicate NVM data memory erase or write operation has completed.
 2. While user program is erasing or writing to NVM data memory, the PC counter will continue to fetch for next instruction.
 3. When uC is in idle mode and if NVM interrupt and global interrupt are enabled, the completion of either erasing or programming the NVM data memory will exit the idle condition.

勝特力材料 886-3-5753170
 勝特力电子(上海) 86-21-34970699
 勝特力电子(深圳) 86-755-83298787
[Http://www.100y.com.tw](http://www.100y.com.tw)

Preliminary W79E225A/227A Data Sheet



7. SPECIAL FUNCTION REGISTERS

The W79E225/227 uses Special Function Registers (SFR) to control and monitor peripherals. The SFR reside in register locations 80-FFh and are only accessed by direct addressing. The W79E225/227 contains all the SFR present in the standard 8051/52, as well as some additional SFR, and, in some cases, unused bits in the standard 8051/52 have new functions. SFR whose addresses end in 0 or 8 (hex) are bit-addressable. The following table of SFR is condensed, with eight locations per row. Empty locations indicate that there are no registers at these addresses.

F8	EIP	EIE1	EIP1	CCL0 /PCNTL	CCH0 /PCNTH	CCL1 /PLSCNTL	CCH1 /PLSCNTH	INTCTRL
F0	B			SPCR	SPSR	SPDR	I2CSADEN	EIPH
E8	EIE	I2CON	I2ADDR	NVMADDRH	I2DAT	I2STATUS	I2CLK	I2TIMER
E0	ACC	ADCCON	ADCH	ADCL		PDTC1	PDTC0	PWMCON4
D8	WDCON	PWMPL	PWM0L	NVMADDRL	PWMCON1	PWM2L	PWM6L	PWMCON3
D0	PSW	PWMPH	PWM0H	NVMDAT	QEICON	PWM2H	PWM6H	WDCON2
C8	T2CON	T2MOD	RCAP2L	RCAP2H	TL2	TH2	PWMCON2	PWM4L
C0	SCON1	SBUF1	T3MOD	T3CON	PMR	FSPLT	ADCPS	TA
B8	IP	SADEN	SADEN1	POVM	POVD	PIO	PWMEN	PWM4H
B0	P3	P5			RCAP3L	RCAP3H	EIP1H	IPH
A8	IE	SADDR	SADDR1		SFRAL	SFRAH	SFRFD	SFRCN
A0	P2	XRAMAH	P4CSIN	CAPCON0	CAPCON1	P4	CCL2 /MAXCNTL	CCH2 /MAXCNTH
98	SCON	SBUF	P42AL	P42AH	P43AL	P43AH	NVMCON	CHPCON
90	P1	EXIF	P4CONA	P4CONB	P40AL	P40AH	P41AL	P41AH
88	TCON	TMOD	TL0	TL1	TH0	TH1	CKCON	CKCON1
80	P0	SP	DPL	DPH	TL3	TH3		PCON

Table 7-1: Special Function Register Location Table

Preliminary W79E225A/227A Data Sheet



SYMBOL	DEFINITION	ADD RESS	BIT_ADDRESS,								SYMBOL	RESET
			MSB LSB									
INTCTRL	INTERRUPT CONTROL REGISTER	FFH	-	-	INT5CT1	INT5CT0	INT4CT1	INT4CT0	INT3CT1	INT3CT0	xx00 0000B	
CCH1 /PLSCNTH	CAPTURE COUNTER HIGH 1 REGISTER	FEH	CCH1.7 /PLSCNTH.7	CCH1.6 /PLSCNTH.6	CCH1.5 /PLSCNTH.5	CCH1.4 /PLSCNTH.4	CCH1.3 /PLSCNTH.3	CCH1.2 /PLSCNTH.2	CCH1.1 /PLSCNTH.1	CCH1.0 /PLSCNTH.0	0000 0000B	
CCL1 /PLSCNTL	CAPTURE COUNTER LOW 1 REGISTER	FDH	CCL1.7 /PLSCNTL.7	CCL1.6 /PLSCNTL.6	CCL1.5 /PLSCNTL.5	CCL1.4 /PLSCNTL.4	CCL1.3 /PLSCNTL.3	CCL1.2 /PLSCNTL.2	CCL1.1 /PLSCNTL.1	CCL1.0 /PLSCNTL.0	0000 0000B	
CCH0 /PCNTH	CAPTURE COUNTER HIGH 0 REGISTER	FCH	CCH0.7 /PCNTH.7	CCH0.6 /PCNTH.6	CCH0.5 /PCNTH.5	CCH0.4 /PCNTH.4	CCH0.3 /PCNTH.3	CCH0.2 /PCNTH.2	CCH0.1 /PCNTH.1	CCH0.0 /PCNTH.0	0000 0000B	
CCL0 /PCNTL	CAPTURE COUNTER LOW 0 REGISTER	FBH	CCL0.7 /PCNTL.7	CCL0.6 /PCNTL.6	CCL0.5 /PCNTL.5	CCL0.4 /PCNTL.4	CCL0.3 /PCNTL.3	CCL0.2 /PCNTL.2	CCL0.1 /PCNTL.1	CCL0.0 /PCNTL.0	0000 0000B	
EIP1	EXTENDED INTERRUPT PRIORITY 1	FAH	-	-	PNVMI	PCPTF	PT3	PBKF	PPWMF	PSPI	xx00 0000B	
EIE1	INTERRUPT ENABLE 1	F9H	-	-	ENVM	ECPTF	ET3	EBK	EPWM	ESPI	xx00 0000B	
EIP	EXTENDED INTERRUPT PRIORITY	F8H	(FF) PS1	(FE) PX5	(FD) PX4	(FC) PWDI	(FB) PX3	(FA) PX2	(F9) -	(F8) PI2C	0000 00x0B	
EIPH	EXTENDED INTERRUPT HIGH PRIORITY	F7H	PS1H	PX5H	PX4H	PWDIH	PX3H	PX2H	-	PI2CH	0000 00x0B	
I2CSADEN	I2C SLAVE ADDRESS MASK	F6H	I2CSAD EN.7	I2CSAD EN.6	I2CSAD EN.5	I2CSAD EN.4	I2CSAD EN.3	I2CSAD EN.2	I2CSAD EN.1	I2CSAD EN.0	1111 1110B	
SPDR	SERIAL PERIPHERAL DATA REGISTER	F5H	SPD.7	SPD.6	SPD.5	SPD.4	SPD.3	SPD.2	SPD.1	SPD.0	xxxx xxxxB	
SPSR	SERIAL PERIPHERAL STATUS REGISTER	F4H	SPIF	WCOL	SPIOVF	MODF	DRSS	-	-	-	0000 0xxxB	
SPCR	SERIAL PERIPHERAL CONTROL REGISTER	F3H	SSOE	SPE	LSBFE	MSTR	CPOL	CPHA	SPR1	SPR0	0000 0100B	
B	B REGISTER	F0H	(F7)	(F6)	(F5)	(F4)	(F3)	(F2)	(F1)	(F0)	0000 0000B	
I2TIMER	I2C TIMER COUNTER REGISTER	EFH	-	-	-	-	-	ENTI	DIV4	TIF	xxxx x000B	
I2CLK	I2C CLOCK RATE	EEH	I2CLK.7	I2CLK.6	I2CLK.5	I2CLK.4	I2CLK.3	I2CLK.2	I2CLK.1	I2CLK.0	0000 0000B	
I2STATUS	I2C STATUS REGISTER	EDH	I2STATU S.7	I2STATU S.6	I2STATU S.5	I2STATU S.4	I2STATU S.3	-	-	-	1111 1000B	
I2DAT	I2C DATA	ECH	I2DAT.7	I2DAT.6	I2DAT.5	I2DAT.4	I2DAT.3	I2DAT.2	I2DAT.1	I2DAT.0	0000 0000B	
NVMADDRH	NVM HIGH BYTE ADDRESS	EBH	-	-	-	-	-	NVMAD DRH.10	NVMAD DRH.9	NVMAD DRH.8	xxxx x000B	
I2ADDR	I2C SLAVE ADDRESS	EAH	ADDR.7	ADDR.6	ADDR.5	ADDR.4	ADDR.3	ADDR.2	ADDR.1	GC	0000 0000B	
I2CON	I2C CONTROL REGISTER	E9H	-	ENS	STA	STO	SI	AA	I2CIN	-	X000 000xB	
EIE	EXTENDED INTERRUPT ENABLE	E8H	(EF) ES1	(EE) EX5	(ED) EX4	(EC) EWDI	(EB) EX3	(EA) EX2	(E9) -	(E8) EI2C	0000 00x0B	
PWMCON4	PWM CONTROL REGISTER 4	E7H	PWMEOM	PWMOOM	PWM6OM	PWM7OM	-	-	-	BKF	0000 xxx0B	
PDTC0	DEAD TIME CONTROL REGISTER 0	E6H	PDTC0.7	PDTC0.6	PDTC0.5	PDTC0.4	PDTC0.3	PDTC0.2	PDTC0.1	PDTC0.0	0000 0000B	
PDTC1	DEAD TIME CONTROL REGISTER 1	E5H	PDTC1.7	PDTC1.6	PDTC1.5	PDTC1.4	PDTC1.3	PDTC1.2	PDTC1.1	PDTC1.0	0000 0000B	
ADCL	ADC CONVERTER RESULT LOW BYTE	E3H	ADCLK1	ADCLK0	-	-	-	-	ADC.1	ADC.0	00xx xxxxB	

Preliminary W79E225A/227A Data Sheet



Continued

SYMBOL	DEFINITION	ADDR ESS	BIT_ADDRESS,								SYMBOL	RESET
			MSB LSB									
ADCH	ADC CONVERTER RESULT HIGH BYTE	E2H	ADC.9	ADC.8	ADC.7	ADC.6	ADC.5	ADC.4	ADC.3	ADC.2	xxxx xxxxB	
ADCCON	ADC CONTROL REGISTER	E1H	ADCEN	-	ADCEX	ADCI	ADCS	AADR2	AADR1	AADR0	0x00 0000E	
ACC	ACCUMULATOR	E0H	(E7)	(E6)	(E5)	(E4)	(E3)	(E2)	(E1)	(E0)	0000 0000E	
PWMCON3	PWM CONTROL REGISTER 3	DFH	PWM7B	PWM6B	PWM5B	PWM4B	PWM3B	PWM2B	PWM1B	PWM0B	0000 0000E	
PWM6L	PWM 6 LOW BITS REGISTER	DEH	PWM6.7	PWM6.6	PWM6.5	PWM6.4	PWM6.3	PWM6.2	PWM6.1	PWM6.0	0000 0000E	
PWM2L	PWM 2 LOW BITS REGISTER	DDH	PWM2.7	PWM2.6	PWM2.5	PWM2.4	PWM2.3	PWM2.2	PWM2.1	PWM2.0	0000 0000E	
PWMCON1	PWM CONTROL REGISTER 1	DCH	PWMRUN	Load	PWMF	CLRPWM	PWM6I	PWM4I	PWM2I	PWM0I	0000 0000E	
NVMADDR1	NVM LOW BYTE ADDRESS	DBH	NVMAD DRH.7	NVMAD DRH.6	NVMAD DRH.5	NVMAD DRH.4	NVMAD DRH.3	NVMAD DRH.2	NVMAD DRH.1	NVMAD DRH.8	0000 0000E	
PWM0L	PWM 0 LOW BITS REGISTER	DAH	PWM0.7	PWM0.6	PWM0.5	PWM0.4	PWM0.3	PWM0.2	PWM0.1	PWM0.0	0000 0000E	
PWMP1	PWM COUNTER LOW REGISTER	D9H	PWMP.7	PWMP.6	PWMP.5	PWMP.4	PWMP.3	PWMP.2	PWMP.1	PWMP.0	0000 0000E	
WDCON	WATCH-DOG CONTROL	D8H	(DF) -	(DE) POR	(DD) -	(DC) -	(DB) WDIF	(DA) WTRF	(D9) EWT	(D8) RWT	0100 0000E	
WDCON2	WATCH-DOG CONTROL2	D7H	-	-	-	-	-	-	-	STRLD	0000 0000E	
PWM6H	PWM 6 HIGH BITS REGISTER	D6H	-	-	-	-	PWM6.1 1	PWM6.1 0	PWM6.9	PWM6.8	xxxx 0000B	
PWM2H	PWM 2 HIGH BITS REGISTER	D5H	-	-	-	-	PWM2.1 1	PWM2.1 0	PWM2.9	PWM2.8	xxxx 0000B	
QEICON	QEI CONTROL REGISTER	D4H	-	-	-	DISIDX	DIR	QEIM1	QEIM0	QEIEN	xxx0 0000B	
NVMDAT	NVM DATA	D3H	NVMDAT.7	NVMDAT.6	NVMDAT.5	NVMDAT.4	NVMDAT.3	NVMDAT.2	NVMDAT.1	NVMDAT.0	0000 0000E	
PWM0H	PWM 0 HIGH BITS REGISTER	D2H	-	-	-	-	PWM0.1 1	PWM0.1 0	PWM0.9	PWM0.8	xxxx 0000B	
PWMPH	PWM COUNTER HIGH REGISTER	D1H	-	-	-	-	PWMP.1 1	PWMP.1 0	PWMP.9	PWMP.8	xxxx 0000B	
PSW	PROGRAM STATUS WORD	D0H	(D7) CY	(D6) AC	(D5) F0	(D4) RS1	(D3) RS0	(D2) OV	(D1) F1	(D0) P	0000 0000E	
PWM4L	PWM 4 LOW BITS REGISTER	CFH	PWM4.7	PWM4.6	PWM4.5	PWM4.4	PWM4.3	PWM4.2	PWM4.1	PWM4.0	0000 0000E	
PWMCON2	PWM CONTROL REGISTER 2	CEH	BKCH	BKPS	BPEN	BKEN	FP1	FP0	PMOD1	PMOD0	0000 0000E	
TH2	T2 REG. HIGH	CDH	TH2.7	TH2.6	TH2.5	TH2.4	TH2.3	TH2.2	TH2.1	TH2.0	0000 0000E	
TL2	T2 REG. LOW	CCH	TL2.7	TL2.6	TL2.5	TL2.4	TL2.3	TL2.2	TL2.1	TL2.0	0000 0000E	
RCAP2H	T2 CAPTURE LOW	CBH	RCAP2H.7	RCAP2H.6	RCAP2H.5	RCAP2H.4	RCAP2H.3	RCAP2H.2	RCAP2H.1	RCAP2H.0	0000 0000E	
RCAP2L	T2 CAPTURE HIGH	CAH	RCAP2L.7	RCAP2L.6	RCAP2L.5	RCAP2L.4	RCAP2L.3	RCAP2L.2	RCAP2L.1	RCAP2L.0	0000 0000E	
T2MOD	TIMER 2 MODE	C9H	HC5	HC4	HC3	HC2	T2CR	-	-	DCEN	0000 0xx0B	
T2CON	TIMER 2 CONTROL	C8H	(CF) TF2	(CE) EXF2	(CD) RCLK	(CC) TCLK	(CB) EXEN2	(CA) TR2	(C9) C/T	(C8) CP/RL2	0000 0000E	
TA	TIME ACCESS REGISTER	C7H	TA.7	TA.6	TA.5	TA.4	TA.3	TA.2	TA.1	TA.0	0000 0000E	
DDIO	DISABLE DIGITAL I/O	C6H	DDIO.7	DDIO.6	DDIO.5	DDIO.4	DDIO.3	DDIO.2	DDIO.1	DDIO.0	0000 0000E	

Preliminary W79E225A/227A Data Sheet



Continued

SYMBOL	DEFINITION	ADDRESS	BIT_ADDRESS,								SYMBOL	RESET
			MSB							LSB		
FSPLT	FAULT SAMPLING TIME REGISTER	C5H	SCMP1	SCMP0	SFP1	SFP0	SFCEN	SFCST	SFCDIR	LSBD	0000 0000E	
PMR	POWER MANAGEMENT REGISTER	C4H	-	-	-	-	-	ALEOFF	-	DME0	xxxx x0x0B	
T3CON	TIMER 3 CONTROL	C3H	TF3	-	-	-	-	TR3	-	-	0xxx x0x0B	
T3MOD	TIMER 3 MODE CONTROL	C2H	ENLD	ICEN2	ICEN1	ICEN0	T3CR	-	-	-	0000 0xxxB	
SBUF1	SERIAL BUFFER 1	C1H	SBUF1.7	SBUF1.6	SBUF1.5	SBUF1.4	SBUF1.3	SBUF1.2	SBUF1.1	SBUF1.0	xxxx xxxxB	
SCON1	SERIAL CONTROL 1	C0H	(BF) SM0_1/FE_1	(BE) SM1_1	(BD) SM2_1	(BC) REN_1	(BB) TB8_1	(BA) RB8_1	(B9) TL_1	(B8) RI_1	0000 0000E	
PWM4H	PWM 4 HIGH BITS REGISTER	BFH	-	-	-	-	PWM4.11	PWM4.10	PWM4.9	PWM4.8	xxxx 0000B	
PWMEN	PWM OUTPUT ENABLE REGISTER	BEH	PWM7EN	PWM6EN	PWM5EN	PWM4EN	PWM3EN	PWM2EN	PWM1EN	PWM0EN	0000 0000E	
PIO	PWM PIN OUTPUT SOURCE SELECT	BDH	PIO7	PIO6	PIO5	PIO4	PIO3	PIO2	PIO1	PIO0	0000 0000E	
POVD	PWM OUTPUT STATE REGISTERS	BCH	POVD.7	POVD.6	POVD.5	POVD.4	POVD.3	POVD.2	POVD.1	POVD.0	0000 0000E	
POVM	PWM OUTPUT OVERRIDE CONTROL REGISTERS	BBH	POVM.7	POVM.6	POVM.5	POVM.4	POVM.3	POVM.2	POVM.1	POVM.0	0000 0000E	
SADEN1	SLAVE ADDRESS MASK 1	BAH	SADEN1.7	SADEN1.6	SADEN1.5	SADEN1.4	SADEN1.3	SADEN1.2	SADEN1.1	SADEN1.0	0000 0000E	
SADEN	SLAVE ADDRESS MASK	B9H	SADEN.7	SADEN.6	SADEN.5	SADEN.4	SADEN.3	SADEN.2	SADEN.1	SADEN.0	0000 0000E	
IP	INTERRUPT PRIORITY	B8H	(BF) PADC	(BE) PT2	(BD) PS	(BC) PT1	(BB) PX1	(BA) PT0	(B9) PX0	(B8) PX0	0000 0000E	
IPH	INTERRUPT HIGH PRIORITY	B7H	-	PADCH	PT2H	PSH	PT1H	PX1H	PT0H	PX0H	x000 0000E	
EIP1H	EXTENDED INTERRUPT HIGH PRIORITY 1	B6H	-	-	PNVMIH	PCPTFH	PT3H	PBKFH	PPWMH	PSPIH	xx00 0000E	
RCAP3H	RELOAD CAPTURE 3 HIGH REGISTER	B5H	RCAP3H.7	RCAP3H.6	RCAP3H.5	RCAP3H.4	RCAP3H.3	RCAP3H.2	RCAP3H.1	RCAP3H.0	0000 0000E	
RCAP3L	RELOAD CAPTURE 3 LOW REGISTER	B4H	RCAP3L.7	RCAP3L.6	RCAP3L.5	RCAP3L.4	RCAP3L.3	RCAP3L.2	RCAP3L.1	RCAP3L.0	0000 0000E	
P5	PORT 5	B1H	-	-	-	-	-	-	PWM7	PWM6	xxxx xx11B	
P3	PORT 3	B0H	(B7) RD	(B6) WR	(B5) T1/IC1/QEB	(B4) T0/ICO/QEA	(B3) /INT1	(B2) /INT0	(B1) TXD	(B0) RXD	1111 1111E	
SFRCN	F/W FLASH CONTROL	AFH	-	WFWIN	NOE	NCE	CTRL3	CTRL2	CTRL1	CTRL0	x011 1111E	
SFRFD	F/W FLASH DATA	AEH	D7	D6	D5	D4	D3	D2	D1	D0	xxxx xxxxB	
SFRAH	F/W FLASH HIGH ADDRESS	ADH	A15	A14	A13	A12	A11	A10	A9	A8	0000 0000E	
SFRAL	F/W FLASH LOW ADDRESS	ACH	A7	A6	A5	A4	A3	A2	A1	A0	0000 0000E	
SADDR1	SLAVE ADDRESS 1	AAH	SADDR1.7	SADDR1.6	SADDR1.5	SADDR1.4	SADDR1.3	SADDR1.2	SADDR1.1	SADDR1.0	0000 0000E	
SADDR	SLAVE ADDRESS	A9H	SADDR.7	SADDR.6	SADDR.5	SADDR.4	SADDR.3	SADDR.2	SADDR.1	SADDR.0	0000 0000E	
IE	INTERRUPT ENABLE	A8H	(AF) EA	(AE) EADC	(AD) ET2	(AC) ES	(AB) ET1	(AA) EX1	(A9) ET0	(A8) EX0	0000 0000E	

Preliminary W79E225A/227A Data Sheet



Continued

SYMBOL	DEFINITION	ADDR ESS	BIT_ADDRESS,								SYMBOL	RESET
			MSB							LSB		
CCH2/MAX CNTH	INPUT CAPTURE 2 HIGH REGISTER/ MAXIMUM COUNTER HIGH REGISTER	A7h	CCH2.7 /MAXCN TH.7	CCH2.6 /MAXCN TH.6	CCH2.5 /MAXCN TH.5	CCH2.4 /MAXCN TH.4	CCH2.3 /MAXCN TH.3	CCH2.2 /MAXCN TH.2	CCH2.1 /MAXCN TH.1	CCH2.0 /MAXCN TH.0	0000 0000E	
CCL2/MAX CNTH	INPUT CAPTURE 2 LOW REGISTER/ MAXIMUM COUNTER LOW REGISTER	A6h	CCL2.7 /MAXCN TL.7	CCL2.6 /MAXCN TL.6	CCL2.5 /MAXCN TL.5	CCL2.4 /MAXCN TL.4	CCL2.3 /MAXCN TL.3	CCL2.2 /MAXCN TL.2	CCL2.1 /MAXCN TL.1	CCL2.0 /MAXCN TL.0	0000 0000E	
P4	PORT 4	A5H	-	-	-	-	P4.3	P4.2	T2EX/IC2	STADC	xxxx 1111B	
CAPCON1	CAPTURE CONTROL 1 REGISTER	A4H	-	-	ENF2	ENF1	ENF0	CPTF2	CPTF1/ DIRF	CPTF0/ QEIF	xx00 0000B	
CAPCON0	CAPTURE CONTROL 0 REGISTER	A3H	CCT2.1	CCT2.0	CCT1.1	CCT1.0	CCT0.1	CCT0.0	CCLD1	CCLD0	0000 0000E	
P4CSIN	P4 CS SIGN	A2H	P43INV	P42INV	P41INV	P40INV	-	PWDNH	RMWFP	P0UP	0000 x000E	
XRAMAH	RAM HIGH BYTE ADDRESS	A1H	-	-	-	-	-	A10	A9	A8	0000 0000E	
P2	PORT 2	A0H	(A7) A15/ SDA	(A6) A14/ SCL	(A5) A13/ PWM5	(A4) A12/ PWM4	(A3) A11/ PWM3	(A2) A10/ PWM2	(A1) A9/ PWM1	(A0) A8/ PWM0	1111 1111E	
CHPCON	ON CHIP PROGRAMMING CONTROL	9FH	SWRST/ REBOOT	-	LD/AP	-	-	-	LDSEL	ENP	0000 0000E	
NVMCON	NVM CONTROL	9EH	EER	EWR	EnNVM	-	-	-	-	NVMF	000x xxx0B	
P43AH	HI ADDR. COMPARATOR OF P4.3	9DH	A15	A14	A13	A12	A11	A10	A9	A8	0000 0000E	
P43AL	LO ADDR. COMPARATOR OF P4.3	9CH	A7	A6	A5	A4	A3	A2	A1	A0	0000 0000E	
P42AH	HI ADDR. COMPARATOR OF P4.2	9BH	A15	A14	A13	A12	A11	A10	A9	A8	0000 0000E	
P42AL	LO ADDR. COMPARATOR OF P4.2	9AH	A7	A6	A5	A4	A3	A2	A1	A0	0000 0000E	
SBUF	SERIAL BUFFER	99H	SBUF.7	SBUF.6	SBUF.5	SBUF.4	SBUF.3	SBUF.2	SBUF.1	SBUF.0	xxxx xxxxB	
SCON	SERIAL CONTROL	98H	(9F) SM0/FE	(9E) SM1	(9D) SM2	(9C) REN	(9B) TB8	(9A) RB8	(99) TI	(98) RI	0000 0000E	
P41AH	HI ADDR. COMPARATOR OF P4.1	97H	A15	A14	A13	A12	A11	A10	A9	A8	0000 0000E	
P41AL	LO ADDR. COMPARATOR OF P4.1	96H	A7	A6	A5	A4	A3	A2	A1	A0	0000 0000E	
P40AH	HI ADDR. COMPARATOR OF P4.0	95H	A15	A14	A13	A12	A11	A10	A9	A8	0000 0000E	
P40AL	LO ADDR. COMPARATOR OF P4.0	94H	A7	A6	A5	A4	A3	A2	A1	A0	0000 0000E	
P4CONB	P4 CONTROL REGISTER B	93H	P43FUN 1	P43FUN 0	P43CMP 1	P43CMP 0	P42FUN 1	P42FUN 0	P42CMP 1	P42CMP 0	0000 0000E	
P4CONA	P4 CONTROL REGISTER A	92H	P41FUN 1	P41FUN 0	P41CMP 1	P41CMP 0	P40FUN 1	P40FUN 0	P40CMP 1	P40CMP 0	0000 0000E	
EXIF	EXTERNAL INTERRUPT FLAG	91H	IE5	IE4	IE3	IE2	-	-	-	-	0000 xxxxB	
P1	PORT 1	90H	(97) ADC7	(96) ADC6	(95) ADC5	(94) ADC4	(93) TXD1/ ADC3	(92) RXD1/ ADC2	(91) ADC1/ Brake	(90) T2/ ADC0	1111 1111E	
CKCON1	CLOCK CONTROL 1	8FH	-	-	-	-	-	-	CCDIV1	CCDIV0	0000 0000E	
CKCON	CLOCK CONTROL	8EH	WD1	WD0	T2M	T1M	T0M	MD2	MD1	MD0	0000 0001E	
TH1	TIMER HIGH 1	8DH	TH1.7	TH1.6	TH1.5	TH1.4	TH1.3	TH1.2	TH1.1	TH1.0	0000 0000E	

Publication Release Date: December 14, 2007

Preliminary W79E225A/227A Data Sheet



Continued

SYMBOL	DEFINITION	ADDRESS	MSB		BIT_ADDRESS,						SYMBOL		RESET
			LSB										
TH0	TIMER HIGH 0	8CH	TH0.7	TH0.6	TH0.5	TH0.4	TH0.3	TH0.2	TH0.1	TH0.0		0000 0000E	
TL1	TIMER LOW 1	8BH	TL1.7	TL1.6	TL1.5	TL1.4	TL1.3	TL1.2	TL1.1	TL1.0		0000 0000E	
TL0	TIMER LOW 0	8AH	TL0.7	TL0.6	TL0.5	TL0.4	TL0.3	TL0.2	TL0.1	TL0.0		0000 0000E	
TMOD	TIMER MODE	89H	GATE	C/\bar{T}	M1	M0	GATE	C/\bar{T}	M1	M0		0000 0000E	
TCON	TIMER CONTROL	88H	(8F) TF1	(8E) TR1	(8D) TF0	(8C) TR0	(8B) IE1	(8A) IT1	(89) IE0	(88) IT0		0000 0000E	
PCON	POWER CONTROL	87H	SMOD	SMOD0	-	-	GF1	GF0	PD	IDL		00xx 0000E	
TH3	TIMER HIGH 3	85H	TH3.7	TH3.6	TH3.5	TH3.4	TH3.3	TH3.2	TH3.1	TH3.0		0000 0000E	
TL3	TIMER LOW 3	84H	TL3.7	TL3.6	TL3.5	TL3.4	TL3.3	TL3.2	TL3.1	TL3.0		0000 0000E	
DPH	DATA POINTER HIGH	83H	DPH.7	DPH.6	DPH.5	DPH.4	DPH.3	DPH.2	DPH.1	DPH.0		0000 0000E	
DPL	DATA POINTER LOW	82H	DPL.7	DPL.6	DPL.5	DPL.4	DPL.3	DPL.2	DPL.1	DPL.0		0000 0000E	
SP	STACK POINTER	81H	SP.7	SP.6	SP.5	SP.4	SP.3	SP.2	SP.1	SP.0		0000 0111E	
P0	PORT 0	80H	(87) INT5	(86) INT4	(85) INT3	(84) INT2	(83) /SS	(82) SPCLK	(81) MOSI	(80) MISO		1111 1111E	

Table 7-2: Special Function Registers

Preliminary W79E225A/227A Data Sheet



PORT 0

Bit:	7	6	5	4	3	2	1	0
	P0.7	P0.6	P0.5	P0.4	P0.3	P0.2	P0.1	P0.0

Mnemonic: P0

Address: 80h

Port 0 is an open-drain 8-bit bi-directional I/O port. As an alternate function Port 0 can function as the multiplexed address/data bus to access off-chip memory. During the time when ALE is high, the LSB of a memory address is presented. When ALE is low, the port transits to a bi-directional data bus. This bus is used for reading external ROM and for reading or writing external RAM memory or peripherals. When used as a memory bus, the port provides active high drivers. The reset condition of Port 0 is tri-state. Pull-up resistors are required when using Port 0 as an I/O port.

BIT	NAME	FUNCTION
0	P0.0	MISO: SPI Master In Slave Out.
1	P0.1	MOSI: SPI Master Out Slave In.
2	P0.2	SPCLK: SPI Clock.
3	P0.3	/SS: Slave Select.
4	P0.4	INT2: External Interrupt 2.
5	P0.5	INT3: External Interrupt 3.
6	P0.6	INT4: External Interrupt 4.
7	P0.7	INT5: External Interrupt 5.

STACK POINTER

Bit:	7	6	5	4	3	2	1	0
	SP.7	SP.6	SP.5	SP.4	SP.3	SP.2	SP.1	SP.0

Mnemonic: SP

Address: 81h

The Stack Pointer stores the Scratch-pad RAM address where the stack begins. In other words it always points to the top of the stack.

DATA POINTER LOW

Bit:	7	6	5	4	3	2	1	0
	DPL.7	DPL.6	DPL.5	DPL.4	DPL.3	DPL.2	DPL.1	DPL.0

Mnemonic: DPL

Address: 82h

This is the low byte of the standard 8032 16-bit data pointer.

Preliminary W79E225A/227A Data Sheet



DATA POINTER HIGH

Bit:	7	6	5	4	3	2	1	0
	DPH.7	DPH.6	DPH.5	DPH.4	DPH.3	DPH.2	DPH.1	DPH.0

Mnemonic: DPH

Address: 83h

This is the high byte of the standard 8032 16-bit data pointer.

TIMER 3 LSB

Bit:	7	6	5	4	3	2	1	0
	TL3.7	TL3.6	TL3.5	TL3.4	TL3.3	TL3.2	TL3.1	TL3.0

Mnemonic: TL3

Address: 84h

BIT	NAME	FUNCTION
7-0	Timer 3 LSB	LSB of Timer3

TIMER 3 MSB

Bit:	7	6	5	4	3	2	1	0
	TH3.7	TH3.6	TH3.5	TH3.4	TH3.3	TH3.2	TH3.1	TH3.0

Mnemonic: TH3

Address: 85h

BIT	NAME	FUNCTION
7-0	Timer 3 MSB	MSB of Timer3

POWER CONTROL

Bit:	7	6	5	4	3	2	1	0
	SMOD	SMOD0	-	-	GF1	GF0	PD	IDL

Mnemonic: PCON

Address: 87h

BIT	NAME	FUNCTION
7	SMOD	This bit doubles the serial port baud rate in mode 1, 2, and 3 when set to 1.
6	SMOD0	Framing Error Detection Enable. When SMOD0 is set to 1, then SCON.7 (SCON1.7) now indicates a Frame Error and acts as the FE (FE_1) flag. When SMOD0 is 0, then SCON.7 (SCON1.7) acts as per the standard 8032 function.
5-4	-	Reserved.
3-2	GF1-0	These two bits are general purpose user flags.
1	PD	Setting this bit causes the device to go into the POWERDOWN mode. In this mode all the clocks are stopped and program execution is frozen.
0	IDL	Setting this bit causes the device to go into the IDLE mode. In this mode the clock to the CPU is stopped, so program execution is frozen, but the clock to the serial ports, timer, PWM, ADC, SPI and interrupt blocks is not stopped, and these blocks continue operating unhindered.

Preliminary W79E225A/227A Data Sheet



TIMER CONTROL

Bit:	7	6	5	4	3	2	1	0
	TF1	TR1	TF0	TR0	IE1	IT1	IE0	IT0

Mnemonic: TCON

Address: 88h

BIT	NAME	FUNCTION
7	TF1	Timer 1 Overflow Flag. This bit is set when Timer 1 overflows. It is cleared automatically when the program does a timer 1 interrupt service routine. Software can also set or clear this bit.
6	TR1	Timer 1 Run Control. This bit is set or cleared by software to turn timer/counter on or off.
5	TF0	Timer 0 Overflow Flag. This bit is set when Timer 0 overflows. It is cleared automatically when the program does a timer 0 interrupt service routine. Software can also set or clear this bit.
4	TR0	Timer 0 Run Control. This bit is set or cleared by software to turn timer/counter on or off.
3	IE1	Interrupt 1 Edge Detect Flag: Set by hardware when an edge/level is detected on INT1. This bit is cleared by hardware when the service routine is vectored to only if the interrupt was edge triggered. Otherwise it follows the inverse of the pin.
2	IT1	Interrupt 1 Type Control. Set/cleared by software to specify falling edge/ low level triggered external inputs.
1	IE0	Interrupt 0 Edge Detect Flag. Set by hardware when an edge/level is detected on INT0. This bit is cleared by hardware when the service routine is vectored to only if the interrupt was edge triggered. Otherwise it follows the inverse of the pin.
0	IT0	Interrupt 0 Type Control: Set/cleared by software to specify falling edge/ low level triggered external inputs.

Preliminary W79E225A/227A Data Sheet



TIMER MODE CONTROL

Bit:	7	6	5	4	3	2	1	0
	GATE	C/ \bar{T}	M1	M0	GATE	C/ \bar{T}	M1	M0
	TIMER1				TIMER0			

Mnemonic: TMOD

Address: 89h

BIT	NAME	FUNCTION
7	GATE	Gating control: When this bit is set, Timer 1 is enabled only while the $\overline{INT1}$ pin is high and the TR1 control bit is set. When cleared, the $\overline{INT1}$ pin has no effect, and Timer 1 is enabled whenever TR1 is set.
6	C/ \bar{T}	Timer or Counter Select: When clear, Timer 1 is incremented by the internal clock. When set, the timer counts falling edges on the T1 pin.
5	M1	Timer 1 mode select bit 1. See table below.
4	M0	Timer 1 mode select bit 0. See table below.
3	GATE	Gating control: When this bit is set, Timer 0 is enabled only while the $\overline{INT0}$ pin is high and the TR0 control bit is set. When cleared, the $\overline{INT0}$ pin has no effect, and Timer 0 is enabled whenever TR0 is set.
2	C/ \bar{T}	Timer or Counter Select: When clear, Timer 0 is incremented by the internal clock. When set, the timer counts falling edges on the T0 pin.
1	M1	Timer 0 mode select bit 1. See table below.
0	M0	Timer 0 mode select bit 0. See table below.

M1, M0: Mode Select bits:

M1	M0	Mode
0	0	Mode 0: 8-bit timer/counter TLx serves as 5-bit pre-scale.
0	1	Mode 1: 16-bit timer/counter, no pre-scale.
1	0	Mode 2: 8-bit timer/counter with auto-reload from THx
1	1	Mode 3: (Timer 0) TL0 is an 8-bit timer/counter controlled by the standard Timer-0 control bits. TH0 is an 8-bit timer only controlled by Timer-1 control bits. (Timer 1) Timer/Counter 1 is stopped.

TIMER 0 LSB

Bit:	7	6	5	4	3	2	1	0
	TL0.7	TL0.6	TL0.5	TL0.4	TL0.3	TL0.2	TL0.1	TL0.0

Mnemonic: TL0

Address: 8Ah

TL0.7-0 Timer 0 LSB

TIMER 1 LSB

Bit:	7	6	5	4	3	2	1	0
	TL1.7	TL1.6	TL1.5	TL1.4	TL1.3	TL1.2	TL1.1	TL1.0

Mnemonic: TL1

Address: 8Bh

TL1.7-0 Timer 1 LSB

勝特力材料 886-3-5753170
 勝特力电子(上海) 86-21-34970699
 勝特力电子(深圳) 86-755-83298787
[Http://www.100y.com.tw](http://www.100y.com.tw)

Publication Release Date: December 14, 2007

Revision A2.0

Preliminary W79E225A/227A Data Sheet



TIMER 0 MSB

Bit:	7	6	5	4	3	2	1	0
	TH0.7	TH0.6	TH0.5	TH0.4	TH0.3	TH0.2	TH0.1	TH0.0

Mnemonic: TH0

Address: 8Ch

TH0.7-0 Timer 0 MSB

TIMER 1 MSB

Bit:	7	6	5	4	3	2	1	0
	TH1.7	TH1.6	TH1.5	TH1.4	TH1.3	TH1.2	TH1.1	TH1.0

Mnemonic: TH1

Address: 8Dh

TH1.7-0 Timer 1 MSB

CLOCK CONTROL

Bit:	7	6	5	4	3	2	1	0
	WD1	WD0	T2M	T1M	T0M	MD2	MD1	MD0

Mnemonic: CKCON

Address: 8Eh

BIT	NAME	FUNCTION
7	WD1	Watchdog Timer mode select bit 1. See table below.
6	WD0	Watchdog Timer mode select bit 0. See table below.
5	T2M	Timer 2 clock select: 1: divide-by-4 clock. 0: divide-by-12 clock.
4	T1M	Timer 1 clock select: 1: divide-by-4 clock. 0: divide-by-12 clock.
3	T0M	Timer 0 clock select: 1: divide-by-4 clock. 0: divide-by-12 clock.
2	MD2	Stretch MOVX select bit 2: MD2, MD1, and MD0 select the stretch value for the MOVX instruction. The \overline{RD} or \overline{WR} strobe is stretched by the selected interval, which enables the device to access faster or slower external memory devices or peripherals without the need for external circuits. By default, the stretch value is one. See table below. (Note: When accessing on-chip SRAM, these bits have no effect, and the MOVX instruction always takes two machine cycles.)
1	MD1	Stretch MOVX select bit 1. See MD2.
0	MD0	Stretch MOVX select bit 0. See MD2.

Preliminary W79E225A/227A Data Sheet



WD1, WD0: Mode Select bits:

These bits determine the time-out periods for the Watchdog Timer. The reset time-out period is 512 clocks more than the interrupt time-out period.

WD1	WD0	INTERRUPT TIME-OUT	RESET TIME-OUT
0	0	2^{17}	$2^{17} + 512$
0	1	2^{20}	$2^{20} + 512$
1	0	2^{23}	$2^{23} + 512$
1	1	2^{26}	$2^{26} + 512$

MD2, MD1, MD0: Stretch MOVX select bits:

MD2	MD1	MD0	STRETCH VALUE	MOVX DURATION
0	0	0	0	2 machine cycles
0	0	1	1	3 machine cycles (<i>Default</i>)
0	1	0	2	4 machine cycles
0	1	1	3	5 machine cycles
1	0	0	4	6 machine cycles
1	0	1	5	7 machine cycles
1	1	0	6	8 machine cycles
1	1	1	7	9 machine cycles

CLOCK CONTROL 1

Bit:	7	6	5	4	3	2	1	0
	-	-	-	-	-	-	CCDIV1	CCDIV0

Mnemonic: CKCON1

Address: 8Fh

BIT	NAME	FUNCTION															
7-2	-	Reserved.															
1-0	CCDIV	Timer 3 clock select.															
		<table border="1"> <thead> <tr> <th>CCDIV1</th> <th>CCDIV0</th> <th>Timer 3 clock</th> </tr> </thead> <tbody> <tr> <td>0</td> <td>0</td> <td>Fosc</td> </tr> <tr> <td>0</td> <td>1</td> <td>Fosc/4</td> </tr> <tr> <td>1</td> <td>0</td> <td>Fosc/16</td> </tr> <tr> <td>1</td> <td>1</td> <td>Fosc/32</td> </tr> </tbody> </table>	CCDIV1	CCDIV0	Timer 3 clock	0	0	Fosc	0	1	Fosc/4	1	0	Fosc/16	1	1	Fosc/32
		CCDIV1	CCDIV0	Timer 3 clock													
		0	0	Fosc													
0	1	Fosc/4															
1	0	Fosc/16															
1	1	Fosc/32															

PORT 1

Bit:	7	6	5	4	3	2	1	0
	P1.7	P1.6	P1.5	P1.4	P1.3	P1.2	P1.1	P1.0

Mnemonic: P1

Address: 90h

Preliminary W79E225A/227A Data Sheet



BIT	NAME	FUNCTION
7-0	P1	General purpose I/O port. Most instructions will read the port pins in case of a port read access, however in case of read-modify-write instructions, the port latch is read. Some pins also have alternate input or output functions. The alternate functions are described below.

	ALTERNATE FUNCTION1	ALTERNATE FUNCTION2
P1.0	T2: External I/O for Timer/Counter 2	ADC0: Analog input0
P1.1	PWM Brake	ADC1: Analog input1
P1.2	RXD1	ADC2: Analog input2
P1.3	TXD1	ADC3: Analog input3
P1.4		ADC4: Analog input4
P1.5		ADC5: Analog input5
P1.6		ADC6: Analog input6
P1.7		ADC7: Analog input7

EXTERNAL INTERRUPT FLAG

Bit:	7	6	5	4	3	2	1	0
	IE5	IE4	IE3	IE2	-	-	-	-

Mnemonic: EXIF

Address: 91h

BIT	NAME	FUNCTION
7	IE5	External Interrupt 5 flag. Set by hardware when a rising/falling/both edges is detected onINT5 pin.
6	IE4	External Interrupt 4 flag. Set by hardware when a rising/falling/both edges is detected on INT4 pin.
5	IE3	External Interrupt 3 flag. Set by hardware when a rising/falling/both edges is detected on INT3 pin.
4	IE2	External Interrupt 2 flag. Set by hardware when a rising edge is detected on INT2 pin.
3-0	-	Reserved.

PORT 4 CONTROL REGISTER A

Bit:	7	6	5	4	3	2	1	0
	P41FUN1	P41FUN0	P41CMP1	P41CMP0	P40FUN1	P40FUN0	P40CMP1	P40CMP0

Mnemonic: P4CONA

Address: 92h

Preliminary W79E225A/227A Data Sheet



PORT 4 CONTROL REGISTER B

Bit:	7	6	5	4	3	2	1	0
	P43FUN1	P43FUN0	P43CMP1	P43CMP0	P42FUN1	P42FUN0	P42CMP1	P42CMP0

Mnemonic: P4CONB

Address: 93h

BIT NAME	FUNCTION
P4xFUN1, P4xFUN0	<p>Port 4 alternate modes.</p> <p>=00: Mode 0. P4.x is a general purpose I/O port which is the same as Port 1.</p> <p>=01: Mode 1. P4.x is a Read Strobe signal for chip select purpose. The address range depends on the SFR P4xAH, P4xAL and bits P4xCMP1, P4xCMP0.</p> <p>=10: Mode 2. P4.x is a Write Strobe signal for chip select purpose. The address range depends on the SFR P4xAH, P4xAL and bits P4xCMP1, P4xCMP0.</p> <p>=11: Mode 3. P4.x is a Read/Write Strobe signal for chip select purpose. The address range depends on the SFR P4xAH, P4xAL and bits P4xCMP1, P4xCMP0.</p>
P4xCMP1, P4xCMP0	<p>Port 4 Chip-select Mode address comparison:</p> <p>=00: Compare the full address (16 bits length) with the base address registers P4xAH and P4xAL.</p> <p>=01: Compare the 15 high bits (A15-A1) of address bus with the base address registers P4xAH and P4xAL.</p> <p>=10: Compare the 14 high bits (A15-A2) of address bus with the base address registers P4xAH and P4xAL.</p> <p>=11: Compare the 8 high bits (A15-A8) of address bus with the base address registers P4xAH and P4xAL.</p>

P4.0 BASE ADDRESS LOW BYTE REGISTER

Bit:	7	6	5	4	3	2	1	0
	A7	A6	A5	A4	A3	A2	A1	A0

Mnemonic: P40AL

Address: 94h

P4.0 BASE ADDRESS HIGH BYTE REGISTER

Bit:	7	6	5	4	3	2	1	0
	A15	A14	A13	A12	A11	A10	A9	A8

Mnemonic: P40AH

Address: 95h

P4.1 BASE ADDRESS LOW BYTE REGISTER

Bit:	7	6	5	4	3	2	1	0
	A7	A6	A5	A4	A3	A2	A1	A0

Mnemonic: P41AL

Address: 96h

Preliminary W79E225A/227A Data Sheet



P4.1 BASE ADDRESS HIGH BYTE REGISTER

Bit:	7	6	5	4	3	2	1	0
	A15	A14	A13	A12	A11	A10	A9	A8

Mnemonic: P41AH

Address: 97h

SERIAL PORT CONTROL

Bit:	7	6	5	4	3	2	1	0
	SM0/FE	SM1	SM2	REN	TB8	RB8	TI	RI

Mnemonic: SCON

Address: 98h

BIT	NAME	FUNCTION
7	SM0/FE	Serial Port mode select bit 0 or Framing Error Flag: This bit is controlled by the SMOD0 bit in the PCON register. (SM0) See table below. (FE) This bit indicates an invalid stop bit. It must be manually cleared by software.
6	SM1	Serial Port mode select bit 1. See table below.
5	SM2	Serial Port Clock or Multi-Processor Communication. (Mode 0) This bit controls the serial port clock. If set to zero, the serial port runs at a divide-by-12 clock of the oscillator. This is compatible with the standard 8051/52. If set to one, the serial clock is a divide-by-4 clock of the oscillator. (Mode 1) If SM2 is set to one, RI is not activated if a valid stop bit is not received. (Modes 2 / 3) This bit enables multi-processor communication. If SM2 is set to one, RI is not activated if RB8, the ninth data bit, is zero.
4	REN	Receive enable: 1: Enable serial reception. 0: Disable serial reception.
3	TB8	(Modes 2 / 3) This is the 9th bit to transmit. This bit is set by software.
2	RB8	(Mode 0) No function. (Mode 1) If SM2 = 0, RB8 is the stop bit that was received. (Modes 2 / 3) This is the 9th bit that was received.
1	TI	Transmit interrupt flag: This flag is set by the hardware at the end of the 8th bit in mode 0 or at the beginning of the stop bit in the other modes during serial transmission. This bit must be cleared by software.
0	RI	Receive interrupt flag: This flag is set by the hardware at the end of the 8th bit in mode 0 or halfway through the stop bits in the other modes during serial reception. However, SM2 can restrict this behavior. This bit can only be cleared by software.

SM1, SM0: Mode Select bits:

SM0	SM1	MODE	DESCRIPTION	LENGTH	BAUD RATE
0	0	0	Synchronous	8	Tclk divided by 4 or 12
0	1	1	Asynchronous	10	Variable
1	0	2	Asynchronous	11	Tclk divided by 32 or 64
1	1	3	Asynchronous	11	Variable

Preliminary W79E225A/227A Data Sheet



ERIAL DATA BUFFER

Bit:	7	6	5	4	3	2	1	0
	SBUF.7	SBUF.6	SBUF.5	SBUF.4	SBUF.3	SBUF.2	SBUF.1	SBUF.0

Mnemonic: SBUF

Address: 99h

BIT	NAME	FUNCTION
7-0	SBUF	Serial data is read from or written to this location. It consists of two separate 8 bit registers. One is the receive buffer, and the other is the transmit buffer. Any read access gets data from the receive data buffer, while write access is to the transmit data buffer.

P4.2 BASE ADDRESS LOW BYTE REGISTER

Bit:	7	6	5	4	3	2	1	0
	A7	A6	A5	A4	A3	A2	A1	A0

Mnemonic: P42AL

Address: 9Ah

P4.2 BASE ADDRESS HIGH BYTE REGISTER

Bit:	7	6	5	4	3	2	1	0
	A15	A14	A13	A12	A11	A10	A9	A8

Mnemonic: P42AH

Address: 9Bh

P4.3 BASE ADDRESS LOW BYTE REGISTER

Bit:	7	6	5	4	3	2	1	0
	A7	A6	A5	A4	A3	A2	A1	A0

Mnemonic: P43AL

Address: 9Ch

P4.3 BASE ADDRESS HIGH BYTE REGISTER

Bit:	7	6	5	4	3	2	1	0
	A15	A14	A13	A12	A11	A10	A9	A8

Mnemonic: P43AH

Address: 9Dh

NVM CONTROL

Bit:	7	6	5	4	3	2	1	0
	EER	EWR	EnNVM	-	-	-	-	NVMF

Mnemonic: NVMCON

Address: 9Eh

BIT	NAME	FUNCTION
7	EER	Set this bit to erase NVM data of page (n) to FFH. The NVM has 32 pages that each page has 64 bytes data memory. By select NVMADDRH and NVMADDRL of NVM address registers that will automatic enable page area. If set this bit, the page will be page erased, after finished, the NVMF flag will be set to "1", then this bit will be cleared. If NVMF flag is set, the erase and write NVM data memory are invalid.

Preliminary W79E225A/227A Data Sheet



Continued

BIT	NAME	FUNCTION
6	EWR	Set this bit is write data to NVM data memory by NVMADDRH and NVMADDRL to decode NVM data memory. If finished, NVMF flag will be set to "1", and then this bit will be cleared. If NVMF flag is set, the erase and write NVM are invalid.
5	EnNVM	To enable read NVM data memory area, refer as below table. 0: To disable the MOVX instruction to read NVM data memory. 1: To enable the MOVX instruction to read NVM data memory, the External RAM or AUX-RAM will be disabled.
4~1	-	Reserved.
0	NVMF	NVM data memory erases or writes finished flag. If NVM data memory is finished by erase or write, it will be set to "1" by hardware and clear by software. And it will be interrupted when NVM erase/write interrupt is enabled.

ISP CONTROL REGISTER

Bit:	7	6	5	4	3	2	1	0
	SWRST/ HWB	-	LD/AP	-	-	-	LDSEL	ENP

Mnemonic: CHPCON

Address: 9Fh

BIT	NAME	FUNCTION
7	W:SWRST R:HWB	Write access to this bit is different from read access. Write this bit to 1 to force the microcontroller to reset to the initial condition, just like power-on reset. This action re-boots the microcontroller and starts normal operation. This bit will be cleared during the reset. Read this bit to determine whether or not a hardware reboot is in progress. If CPU is rebooted by P3.6 & P3.7 or P4.3, this bit is set to 1 after the hardware reboot. Note: P4.3 pin is available in 48L LQFP package only.
6	-	Reserved.
5	LD/AP (read-only)	0: CPU is executing AP Flash EPROM 1: CPU is executing LD Flash EPROM
4-2	-	Reserved.
1	LDSEL (write-only)	Loader Program Location Selection. This bit should be set before entering ISP mode. 0: The executing program is in the 64-KB AP Flash EPROM. The 4-KB LD Flash EPROM is the destination for re-programming. 1: The executing program is in the 4-KB memory bank. The 64-KB AP Flash EPROM is the destination for re-programming.
0	ENP	FLASH EPROM Programming Enable. 1: Enable in-system programming mode. In this mode, erase, program and read operations are achieved. 0: Disable in-system programming mode. The on-chip flash memory is read-only.

Publication Release Date: December 14, 2007

Preliminary W79E225A/227A Data Sheet



The way to enter ISP mode is to set ENP to 1 and write LDSEL properly then force CPU in IDLE mode, after IDLE mode is released CPU will restart from AP or LD ROM according the value of LDSEL.

PORT 2

Bit:	7	6	5	4	3	2	1	0
	P2.7	P2.6	P2.5	P2.4	P2.3	P2.2	P2.1	P2.0

Mnemonic: P2

Address: A0h

BIT	NAME	FUNCTION
7-0	P2	This port functions as an address bus during external memory access, and as a general-purpose I/O port on devices that incorporate internal program memory. When P2 functions a non-multiplexed address bus A15-A8 the port latch cannot be used for general I/O purposes but exists to support the MOVX instructions. Port 2 data will only be brought out on the P2.7-0 pins during indirect MOVX instructions.

	ALTERNATE FUNCTION
P2.0	PWM0 output.
P2.1	PWM1 output.
P2.2	PWM2 output.
P2.3	PWM3 output.
P2.4	PWM4 output.
P2.5	PWM5 output.
P2.6	SCL, I2C serial clock.
P2.7	SDA, I2C serial data.

XRAMAH

Bit:	7	6	5	4	3	2	1	0
	-	-	-	-	-	A10	A9	A8

Mnemonic: XRAMAH

Address: A1h

BIT	NAME	FUNCTION
7-3	-	Reserved.
2-0	A10-8	XRAMAH is used for high byte address memory access through A15-8, when CPU executes MOVX with R0 (or R1) instructions. Depending EnNVM and DME0 setting, and address, the memory accessed may differs. Table below shows the memory access destination. This device has on-chip sram at 1/2K bytes.

Note: User should take care when accessing the memory with this instruction. Access to invalid regions may cause undesirable results.

Preliminary W79E225A/227A Data Sheet



PORT 4 CHIP-SELECT POLARITY

Bit:	7	6	5	4	3	2	1	0
	P43INV	P42INV	P41INV	P40INV	-	PWDNH	RMWFP	PUP0

Mnemonic: P4CSIN

Address: A2h

BIT	NAME	FUNCTION
7-4	P4xINV	The Active Polarity of P4.x when it is set as a chip-select strobe output. High = Active High. Low = Active Low. Note: x = 3,2,1,0.
3	-	Reserved.
2	PWDNH	Set PWDNH to logic 1 then ALE and PSEN will keep high state, clear this bit to logic 0 then ALE and PSEN will output low during power down mode.
1	RMWFP	Control Read Path of Instruction "Read-Modify-Write". When this bit is set, the read path of executing "read-modify-write" instruction is from port pin otherwise from SFR.
0	PUP0	Enable Port 0 weak pull up.

CAPTURE CONTROL 0 REGISTER

Bit:	7	6	5	4	3	2	1	0
	CCT2.1	CCT2.0	CCT1.1	CCT1.0	CCT0.1	CCT0.0	CCLD1	CCLD0

Mnemonic: CAPCON0

Address: A3h

BIT	NAME	FUNCTION															
7-6	CCT2.1-0	Capture 2 edge select.															
		<table border="1"> <thead> <tr> <th>CCT2.1</th> <th>CCT2.0</th> <th>Description</th> </tr> </thead> <tbody> <tr> <td>0</td> <td>0</td> <td>Rising edge trigger</td> </tr> <tr> <td>0</td> <td>1</td> <td>Falling edge trigger</td> </tr> <tr> <td>1</td> <td>0</td> <td>Rising and falling edge trigger</td> </tr> <tr> <td>1</td> <td>1</td> <td>Reserved.</td> </tr> </tbody> </table>	CCT2.1	CCT2.0	Description	0	0	Rising edge trigger	0	1	Falling edge trigger	1	0	Rising and falling edge trigger	1	1	Reserved.
		CCT2.1	CCT2.0	Description													
		0	0	Rising edge trigger													
		0	1	Falling edge trigger													
1	0	Rising and falling edge trigger															
1	1	Reserved.															
5-4	CCT1.1-0	Capture 1 edge select.															
		<table border="1"> <thead> <tr> <th>CCT1.1</th> <th>CCT1.0</th> <th>Description</th> </tr> </thead> <tbody> <tr> <td>0</td> <td>0</td> <td>Rising edge trigger</td> </tr> <tr> <td>0</td> <td>1</td> <td>Falling edge trigger</td> </tr> <tr> <td>1</td> <td>0</td> <td>Rising and falling edge trigger</td> </tr> <tr> <td>1</td> <td>1</td> <td>Reserved.</td> </tr> </tbody> </table>	CCT1.1	CCT1.0	Description	0	0	Rising edge trigger	0	1	Falling edge trigger	1	0	Rising and falling edge trigger	1	1	Reserved.
		CCT1.1	CCT1.0	Description													
		0	0	Rising edge trigger													
		0	1	Falling edge trigger													
1	0	Rising and falling edge trigger															
1	1	Reserved.															
3-2	CCT0.1-0	Capture 0 edge select.															
		<table border="1"> <thead> <tr> <th>CCT0.1</th> <th>CCT0.0</th> <th>Description</th> </tr> </thead> <tbody> <tr> <td>0</td> <td>0</td> <td>Rising edge trigger</td> </tr> <tr> <td>0</td> <td>1</td> <td>Falling edge trigger</td> </tr> <tr> <td>1</td> <td>0</td> <td>Rising and falling edge trigger</td> </tr> <tr> <td>1</td> <td>1</td> <td>Reserved.</td> </tr> </tbody> </table>	CCT0.1	CCT0.0	Description	0	0	Rising edge trigger	0	1	Falling edge trigger	1	0	Rising and falling edge trigger	1	1	Reserved.
		CCT0.1	CCT0.0	Description													
		0	0	Rising edge trigger													
		0	1	Falling edge trigger													
1	0	Rising and falling edge trigger															
1	1	Reserved.															

Preliminary W79E225A/227A Data Sheet



Continued

BIT	NAME	FUNCTION															
1-0	CCLD.1-0	Reload trigger select.															
		<table border="1"> <thead> <tr> <th>CCLD1</th> <th>CCLD0</th> <th>Description</th> </tr> </thead> <tbody> <tr> <td>0</td> <td>0</td> <td>Timer 3 overflow (default)</td> </tr> <tr> <td>0</td> <td>1</td> <td>Reload by capture 0 block</td> </tr> <tr> <td>1</td> <td>0</td> <td>Reload by capture 1 block</td> </tr> <tr> <td>1</td> <td>1</td> <td>Reload by capture 2 block</td> </tr> </tbody> </table>	CCLD1	CCLD0	Description	0	0	Timer 3 overflow (default)	0	1	Reload by capture 0 block	1	0	Reload by capture 1 block	1	1	Reload by capture 2 block
		CCLD1	CCLD0	Description													
		0	0	Timer 3 overflow (default)													
		0	1	Reload by capture 0 block													
1	0	Reload by capture 1 block															
1	1	Reload by capture 2 block															

CAPTURE CONTROL 1 REGISTER

Bit:	7	6	5	4	3	2	1	0
	-	-	ENF2	ENF1	ENF0	CPTF2	CPTF1/	CPTF0

Mnemonic: CAPCON1

Address: A4h

BIT	NAME	FUNCTION
7-6	-	Reserved.
5	ENF2	Enable filter for capture input 2.
4	ENF1	Enable filter for capture input 1.
3	ENF0	Enable filter for capture input 0.
2	CPTF2	Input capture/reload 2 interrupt flag.
1	CPTF1/DIRF	Input Capture 2 flag share the same bit with DIRF flag. IC mode - Input capture/reload 1 interrupt flag. QEI mode - Direction changed interrupt flag. Bit is set by hardware when direction index (DIR) changes state and direction change interrupt is requested if it is enabled. DIRF is cleared by software.
0	CPTF0/QEIF	Input Capture 0 flag share the same bit with QEI flag. IC mode - Input capture/reload 0 interrupt flag. QEI mode - QEI interrupt flag. 1. In free-counting mode, if Pulse Counter overflows or underflows. 2. In compare-counting mode, if Pulse Counter overflows from Maximum Count to zero or underflows from zero to Maximum Count.

PORT 4

Bit:	7	6	5	4	3	2	1	0
	-	-	-	-	P4.3	P4.2	P4.1	P4.0

Mnemonic: P4

Address: A5h

BIT	NAME	FUNCTION
7-4	-	Reserved.
3-2	P4	GPIO.
1	P4	GPIO. Alternate function T2EX/IC2 for Timer 2 external trigger/Input Capture 2 respectively.
0	P4	GPIO. Alternate function STADC. External start ADC trigger input.

勝特力材料 886-3-5753170
 勝特力电子(上海) 86-21-34970699
 勝特力电子(深圳) 86-755-83298787
[Http://www.100y.com.tw](http://www.100y.com.tw)

Publication Release Date: December 14, 2007

Revision A2.0

Preliminary W79E225A/227A Data Sheet



INPUT CAPTURE 2/MAXIMUM COUNTER LOW REGISTER

Bit:	7	6	5	4	3	2	1	0
	CCL2.7/ MAXCNT L.7	CCL2.6/ MAXCNT L.6	CCL2.5/ MAXCNT L.5	CCL2.4/ MAXCNT L.4	CCL2.3/ MAXCNT L.3	CCL2.2/ MAXCNT L.2	CCL2.1/ MAXCNT L.1	CCL2.0/ MAXCNT L.0

Mnemonic: CCL2/MAXCNTL

Address: A6h

INPUT CAPTURE 2/MAXIMUM COUNTER HIGH REGISTER

Bit:	7	6	5	4	3	2	1	0
	CCH2.7/ MAXCNT H.7	CCH2.6/ MAXCNT H.6	CCH2.5/ MAXCNT H.5	CCH2.4/ MAXCNT H.4	CCH2.3/ MAXCNT H.3	CCH2.2/ MAXCNT H.2	CCH2.1/ MAXCNT H.1	CCH2.0/ MAXCNT H.0

Mnemonic: CCH2/MAXCNTH

Address: A7h

INTERRUPT ENABLE

Bit:	7	6	5	4	3	2	1	0
	EA	EADC	ET2	ES	ET1	EX1	ET0	EX0

Mnemonic: IE

Address: A8h

BIT	NAME	FUNCTION
7	EA	Global enable: Enable/disable all interrupts.
6	EADC	Enable ADC interrupt.
5	ET2	Enable Timer 2 interrupt.
4	ES	Enable Serial Port 0 interrupts.
3	ET1	Enable Timer 1 interrupt.
2	EX1	Enable external interrupt 1.
1	ET0	Enable Timer 0 interrupt.
0	EX0	Enable external interrupt 0.

SLAVE ADDRESS

Bit:	7	6	5	4	3	2	1	0
	SADDR.7	SADDR.6	SADDR.5	SADDR.4	SADDR.3	SADDR.2	SADDR.1	SADDR.0

Mnemonic: SADDR

Address: A9h

BIT	NAME	FUNCTION
7-0	SADDR	The SADDR should be programmed to the given or broadcast address for serial port to which the slave processor is designated.

SLAVE ADDRESS 1

Bit:	7	6	5	4	3	2	1	0
	SADDR1.7	SADDR1.6	SADDR1.5	SADDR1.4	SADDR1.3	SADDR1.2	SADDR1.1	SADDR1.0

Mnemonic: SADDR1

Address: AAh

Preliminary W79E225A/227A Data Sheet



BIT	NAME	FUNCTION
7-0	SADDR1	The SADDR1 should be programmed to the given or broadcast address for serial port 1 to which the slave processor is designated.

ISP ADDRESS LOW BYTE

Bit:	7	6	5	4	3	2	1	0
	A7	A6	A5	A4	A3	A2	A1	A0

Mnemonic: SFRAL

Address: ACh

Low byte destination address for In System Programming operations.

ISP ADDRESS HIGH BYTE

Bit:	7	6	5	4	3	2	1	0
	A15	A14	A13	A12	A11	A10	A9	A8

Mnemonic: SFRAH

Address: ADh

Low byte destination address for In System Programming operations. (SFRAH, SFRAL) represents the address of the ROM byte that will be erased, programmed or read.

ISP DATA BUFFER

Bit:	7	6	5	4	3	2	1	0
	D7	D6	D5	D4	D3	D2	D1	D0

Mnemonic: SFRFD

Address: AEh

In ISP mode, read/write a specific byte ROM content must go through SFRFD register.

ISP OPERATION MODES

Bit:	7	6	5	4	3	2	1	0
	-	WFWIN	NOE	NCE	CTRL3	CTRL2	CTRL1	CTRL0

Mnemonic: SFRCN

Address: AFh

BIT	NAME	FUNCTION
7	-	Reserved.
6	WFWIN	On-chip FLASH EPROM bank select for in-system programming. 0= AP FLASH EPROM bank is selected as destination for re-programming. 1= LD FLASH EPROM bank is selected as destination for re-programming.
5	NOE	Flash EPROM output enable.
4	NCE	Flash EPROM chip enable.
3-0	CTRL	The Flash Control Signals.

Preliminary W79E225A/227A Data Sheet



ISP MODE	WFWIN	NOE	NCE	CTRL[3:0]	SFRAH, SFRAL	SFRFD
Erase 4KB LD Flash	1	1	0	0010	X	X
Erase 16/64K AP Flash0	0	1	0	0010	X	X
Program 4KB LD Flash	1	1	0	0001	Address in	Data in
Program 16/64KB AP Flash0	0	1	0	0001	Address in	Data in
Read 4KB LD Flash	1	0	0	0000	Address in	Data out
Read 16/64KB AP Flash0	0	0	0	0000	Address in	Data out

PORT 3

Bit:	7	6	5	4	3	2	1	0
	P3.7	P3.6	P3.5	P3.4	P3.3	P3.2	P3.1	P3.0

Mnemonic: P3

Address: B0h

BIT	NAME	FUNCTION
7-0	P3	General purpose I/O port. Each pin also has an alternate input or output function that is controlled by other SFRs. The alternate function is enabled if the corresponding port latch bit is set to 1.

ALTERNATE FUNCTION	
P3.7	RD Strobe for read from external RAM.
P3.6	WR Strobe for write to external RAM.
P3.5	T1/IC1/QEB; Timer/counter 1 external count input/Input Capture 1/QEI input B.
P3.4	T0/IC0/QEA; Timer/counter 0 external count input/Input Capture 0/QEI input A.
P3.3	/INT0 External interrupt 1.
P3.2	/INT1 External interrupt 0.
P3.1	TxD Serial port output.
P3.0	RxD Serial port input.

PORT 5

Bit:	7	6	5	4	3	2	1	0
	-	-	-	-	-	-	P5.1	P5.0

Mnemonic: P5

Address: B1h

BIT	NAME	FUNCTION
7-2	-	Reserved.
1-0	P5	General purpose I/O port. Each pin also has an alternate input or output function. This port can not support bit addressable.

Preliminary W79E225A/227A Data Sheet



ALTERNATE FUNCTION	
P5.1	PWM7 output function
P5.0	PWM6 output function

TIMER 3 RELOAD LSB

Bit:	7	6	5	4	3	2	1	0
	RCAP3L.7	RCAP3L.6	RCAP3L.5	RCAP3L.4	RCAP3L.3	RCAP3L.2	RCAP3L.1	RCAP3L.0

Mnemonic: RCAP3L

Address: B4h

BIT	NAME	FUNCTION
7-0	RCAP3L	Timer 3 Reload LSB: This register is LSB of a 16 bit reload value when timer 3 is configured in reload mode. It served also as a compare register when timer 3 is configured as compare mode (see CMP/RL3 bit).

TIMER 3 RELOAD MSB

Bit:	7	6	5	4	3	2	1	0
	RCAP3H.7	RCAP3H.6	RCAP3H.5	RCAP3H.4	RCAP3H.3	RCAP3H.2	RCAP3H.1	RCAP3H.0

Mnemonic: RCAP3H

Address: B5h

BIT	NAME	FUNCTION
7-0	RCAP3H	Timer 3 Reload MSB: This register is MSB of a 16 bit reload value when timer 3 is configured in reload mode. It served also as a compare register when timer 3 is configured as compare mode (see CMP/RL3 bit).

EXTENDED INTERRUPT HIGH PRIORITY 1

Bit:	7	6	5	4	3	2	1	0
	-	-	PNVMIH	PCPTFH	PT3H	PBKFH	PPWMFH	PSPIH

Mnemonic: EIP1

Address: B6h

BIT	NAME	FUNCTION
7-6	-	Reserved.
5	PNVMIH	NVM interrupt High priority. PNVMIH = 1 sets it to highest priority level.
4	PCPTFH	Capture/reload Interrupt High priority. PCPTFH = 1 sets it to highest priority level.
3	PT3H	Timer 3 Interrupt High priority. PT3H = 1 sets it to highest priority level.
2	PBKFH	PWM Brake Interrupt High priority. PBKFH = 1 sets it to highest priority level.
1	PPWMFH	PWM period Interrupt High priority. PPWMFH = 1 sets it to highest priority level.
0	PSPIH	SPI Interrupt High Priority. PSPIH = 1 sets it to highest priority level.

INTERRUPT HIGH PRIORITY

Bit:	7	6	5	4	3	2	1	0
	-	PADCH	PT2H	PSHH	PT1H	PX1H	PT0H	PX0H

Mnemonic: IPH

Address: B7h

Publication Release Date: December 14, 2007

Preliminary W79E225A/227A Data Sheet



BIT	NAME	FUNCTION
7	-	Reserved.
6	PADCH	This bit defines the ADC interrupt High priority. PADCH = 1 sets it to highest priority level.
5	PT2H	This bit defines the Timer 2 interrupt High priority. PT2H = 1 sets it to highest priority level.
4	PSH	This bit defines the Serial port 0 interrupt High priority. PSH = 1 sets it to highest priority level.
3	PT1H	This bit defines the Timer 1 interrupt High priority. PT1H = 1 sets it to highest priority level.
2	PX1H	This bit defines the External interrupt 1 High priority. PX1H = 1 sets it to highest priority level.
1	PT0H	This bit defines the Timer 0 interrupt High priority. PT0H = 1 sets it to highest priority level.
0	PX0H	This bit defines the External interrupt 0 High priority. PX0H = 1 sets it to highest priority level.

INTERRUPT PRIORITY

Bit:	7	6	5	4	3	2	1	0
	-	PADC	PT2	PS	PT1	PX1	PT0	PX0

Mnemonic: IP

Address: B8h

BIT	NAME	FUNCTION
7	-	Reserved.
6	PADC	This bit defines the ADC interrupt priority. PADC = 1 sets it to higher priority level.
5	PT2	This bit defines the Timer 2 interrupt priority. PT2 = 1 sets it to higher priority level.
4	PS	This bit defines the Serial port 0 interrupt priority. PS = 1 sets it to higher priority level.
3	PT1	This bit defines the Timer 1 interrupt priority. PT1 = 1 sets it to higher priority level.
2	PX1	This bit defines the External interrupt 1 priority. PX1 = 1 sets it to higher priority level.
1	PT0	This bit defines the Timer 0 interrupt priority. PT0 = 1 sets it to higher priority level.
0	PX0	This bit defines the External interrupt 0 priority. PX0 = 1 sets it to higher priority level.

Preliminary W79E225A/227A Data Sheet



SLAVE ADDRESS MASK ENABLE

Bit:	7	6	5	4	3	2	1	0
	SADEN.7	SADEN.6	SADEN.5	SADEN.4	SADEN.3	SADEN.2	SADEN.1	SADEN.0

Mnemonic: SADEN

Address: B9h

BIT	NAME	FUNCTION
7-0	SADEN	This register enables the Automatic Address Recognition feature of the Serial port. When a bit in the SADEN is set to 1, the same bit location in SADDR will be compared with the incoming serial port data. When SADEN.n is 0, then the bit becomes don't care in the comparison. This register enables the Automatic Address Recognition feature of the Serial port. When all the bits of SADEN are 0, interrupt will occur for any incoming address.

SLAVE ADDRESS MASK ENABLE 1

Bit:	7	6	5	4	3	2	1	0
	SADEN1.7	SADEN1.6	SADEN1.5	SADEN1.4	SADEN1.3	SADEN1.2	SADEN1.1	SADEN1.0

Mnemonic: SADEN1

Address: BAh

BIT	NAME	FUNCTION
7-0	SADEN1	This register enables the Automatic Address Recognition feature of the Serial port 1. When a bit in the SADEN1 is set to 1, the same bit location in SADDR1 will be compared with the incoming serial port data. When SADEN1.n is 0, then the bit becomes don't care in the comparison. This register enables the Automatic Address Recognition feature of the Serial port. When all the bits of SADEN1 are 0, interrupt will occur for any incoming address.

PWM OUTPUT OVERRIDE CONTROL REGISTERS

Bit:	7	6	5	4	3	2	1	0
	POVM.7	POVM.6	POVM.5	POVM.4	POVM.3	POVM.2	POVM.1	POVM.0

Mnemonic: POVM

Address: BBh

BIT	NAME	FUNCTION
7-0	POVM	PWM Override Mode enable bits; 0: The PWM output follows the corresponding PWM generator. 1: The PWM output is equal to corresponding bit in POVD.

PWM OUTPUT STATE REGISTERS

Bit:	7	6	5	4	3	2	1	0
	POVD.7	POVD.6	POVD.5	POVD.4	POVD.3	POVD.2	POVD.1	POVD.0

Mnemonic: POVD

Address: BCh

Preliminary W79E225A/227A Data Sheet



BIT	NAME	FUNCTION
7-0	POVD	PWM Override Data represents the value of PWM[7:0] respectively in override mode. 1 = Output on PWM I/O pin is ACTIVE when the corresponding PWM output override bit is cleared. 0 = Output on PWM I/O pin is INACTIVE when the corresponding PWM output override bit is cleared.

PWM PIN OUTPUT SOURCE SELECT

Bit:	7	6	5	4	3	2	1	0
	PIO7	PIO6	PIO5	PIO4	PIO3	PIO2	PIO1	PIO0

Mnemonic: PIO

Address: BDh

BIT	NAME	FUNCTION
7-0	PIO.x	Select pin output source from PWM or I/O register; x=0~7; PION is effective only when option bit PWMOE/PWMEE/PWM6E/PWM7E is in enabled status. Reset value=0; 1 = Correspondent I/O pin with high source/sink current. 0 = PWMn output; n=0~7 with high source/sink current.

PWM OUTPUT ENABLE REGISTER

Bit:	7	6	5	4	3	2	1	0
	PWM7EN	PWM6EN	PWM5EN	PWM4EN	PWM3EN	PWM2EN	PWM1EN	PWM0EN

Mnemonic: PWMEN

Address: BEh

BIT	NAME	FUNCTION
6,4,2,0	PWMeEN	Set high to enable even PWM output; e = 0,2,4,6; Reset value=0; 1 = Enable PWM output. 0 = Disable PWM output.
7,5,3,1	PWMoEN	Set high to enable odd PWM output; o = 1,3,5,7; Reset value=0; 1 = Enable PWM output. 0 = Disable PWM output.

PWM 4 HIGH BITS REGISTER

Bit:	7	6	5	4	3	2	1	0
	-	-	-	-	PWM4.11	PWM4.10	PWM4.9	PWM4.8

Mnemonic: PWM4H

Address: BFh

BIT	NAME	FUNCTION
7~4	-	Reserved
3~0	PWM4.11 ~PWM4.8	The PWM 4 Register bit 11~8.

Preliminary W79E225A/227A Data Sheet



SERIAL PORT CONTROL 1

Bit:	7	6	5	4	3	2	1	0
	SM0_1/FE_1	SM1_1	SM2_1	REN_1	TB8_1	RB8_1	TI_1	RI_1

Mnemonic: SCON1

Address: C0h

BIT	NAME	FUNCTION
7	SM0_1/ FE_1	Serial Port 1 mode select bit 0 or Framing Error Flag: This bit is controlled by the SMOD0 bit in the PCON register. (SM0) See table below. (FE) This bit indicates an invalid stop bit. It must be manually cleared by software.
6	SM1_1	Serial Port 1 mode select bit 1. See table below.
5	SM2_1	Serial Port Clock or Multi-Processor Communication. (Mode 0) This bit controls the serial port clock. If set to zero, the serial port runs at a divide-by-12 clock of the oscillator. This is compatible with the standard 8051/52. If set to one, the serial clock is a divide-by-4 clock of the oscillator. (Mode 1) If SM2_1 is set to one, RI_1 is not activated if a valid stop bit is not received. (Modes 2 / 3) This bit enables multi-processor communication. If SM2_1 is set to one, RI_1 is not activated if RB8_1, the ninth data bit, is zero.
4	REN_1	Receive enable: 1: Enable serial reception. 0: Disable serial reception.
3	TB8_1	(Modes 2 / 3) This is the 9th bit to transmit. This bit is set by software.
2	RB8_1	(Mode 0) No function. (Mode 1) If SM2_1 = 0, RB8_1 is the stop bit that was received. (Modes 2 / 3) This is the 9th bit that was received.
1	TI_1	Transmit interrupt flag: This flag is set by the hardware at the end of the 8th bit in mode 0 or at the beginning of the stop bit in the other modes during serial transmission. This bit must be cleared by software.
0	RI_1	Receive interrupt flag: This flag is set by the hardware at the end of the 8th bit in mode 0 or halfway through the stop bits in the other modes during serial reception. However, SM2_1 can restrict this behavior. This bit can only be cleared by software.

SM1_1, SM0_1: Mode Select bits:

SM0_1	SM1_1	MODE	DESCRIPTION	LENGTH	BAUD RATE
0	0	0	Synchronous	8	Tclk divided by 4 or 12
0	1	1	Asynchronous	10	Variable
1	0	2	Asynchronous	11	Tclk divided by 32 or 64
1	1	3	Asynchronous	11	Variable

Preliminary W79E225A/227A Data Sheet



SERIAL DATA BUFFER 1

Bit:	7	6	5	4	3	2	1	0
	SBUF_1.7	SBUF_1.6	SBUF_1.5	SBUF_1.4	SBUF_1.3	SBUF_1.2	SBUF_1.1	SBUF_1.0

Mnemonic: SBUF1

Address: C1h

BIT	NAME	FUNCTION
7-0	SBUF_1	For Serial Port 1. Serial data is read from or written to this location. It actually consists of two separate 8 bit registers. One is the receive buffer, and the other is the transmit buffer. Any read access gets data from the receive data buffer, while write access is to the transmit data buffer.

TIMER 3 MODE CONTROL

Bit:	7	6	5	4	3	2	1	0
	ENLD	ICEN2	ICEN1	ICEN0	T3CR	-	-	-

Mnemonic: T3MOD

Address: C2h

BIT	NAME	FUNCTION
7	ENLD	Enable reloads from RCAP3 registers to timer 3 counters.
6	ICEN2	Capture 2 External Enable. This bit enables the capture/reload function on the IC2 pin. An edge trigger (programmable by CAPCON0.CCT2[1:0] bits) detected on the IC2 pin will result in capture from free running timer 3 counters to input capture 2 registers, or reload from RCAP3 registers to timer 3 counters. 1 = Enable. 0 = Disable.
5	ICEN1	Capture 1 External Enable. This bit enables the capture/reload function on the IC1 pin. An edge trigger (programmable by CAPCON0.CCT1[1:0] bits) detected on the IC1 pin will result in capture from free running timer 3 counters to input capture 1 registers, or reload from RCAP3 registers to timer 3 counters. 1 = Enable. 0 = Disable.
4	ICEN0	Capture 0 External Enable. This bit enables the capture/reload function on the IC0 pin. An edge trigger (programmable by CAPCON0.CCT0[1:0] bits) detected on the IC0 pin will result input capture from free running timer 3 counters to input capture 0 registers, or reload from RCAP3 registers to timer 3 counters. 1 = Enable. 0 = Disable.
3	T3CR	Timer 3 Capture Reset. In the Timer 3 Capture Mode this bit enables/disables hardware automatically reset timer 3 while the value in TL3 and TH3 have been transferred into the input capture register (CCLx, CCHx). Priority is given to T3CR to reset counter after capture.
2-0	-	Reserved.

Preliminary W79E225A/227A Data Sheet



TIMER 3 CONTROL

Bit:	7	6	5	4	3	2	1	0
	TF3	-	-	-	-	TR3	-	CMP/RL3

Mnemonic: T3CON

Address: C3h

BIT	NAME	FUNCTION
7	TF3	Timer 3 overflows flag. This bit is set when Timer 3 overflows. It is cleared only by software and set by hardware.
6-3	-	Reserved.
2	TR3	Timer 3 Run Control. This bit enables/disables the operation of timer 3. Halting this will preserve the current count in TH3, TL3.
1	-	Reserved.
0	CMP/RL3	Compare/Reload Select. This bit determines whether the Timer 3 will be use for compare or reload function. 0 = Timer 3 as reload mode, TF3 indicates the overflow flag 1 = Timer 3 as compare mode, TF3 indicates the compare match flag.

POWER MANAGEMENT REGISTER

Bit:	7	6	5	4	3	2	1	0
	-	-	-	-	-	ALEOFF	-	DME0

Mnemonic: PMR

Address: C4h

BIT	NAME	FUNCTION
7-3	-	Reserved.
2	ALEOFF	This bit disables the expression of the ALE signal on the device pin during all on board program and data memory accesses. External memory accesses will automatically enable ALE independent of ALEOFF. ALEOFF=0: ALE expression is enabled. ALEOFF=1: ALE expression is disabled.
1	-	Reserved.
0	DME0	This bit determines the on chip MOVX SRAM to be enabled or disabled. Set this bit to 1 will enable the on chip 2 KB MOVX SRAM.

FAULT SAMPLING TIME REGISTER

Bit:	7	6	5	4	3	2	1	0
	SCMP1	SCMP0	SFP1	SFP0	SFCEN	SFCST	SFCDIR	LSBD

Mnemonic: FSPLT

Address: C5h

勝特力材料 886-3-5753170
勝特力电子(上海) 86-21-34970699
勝特力电子(深圳) 86-755-83298787
[Http://www.100y.com.tw](http://www.100y.com.tw)

Publication Release Date: December 14, 2007

Preliminary W79E225A/227A Data Sheet



BIT	NAME	FUNCTION
7-6	SCMP [1:0]	Smart fault compare value selector (read/write): 00 = 4 01 = 16 10 = 64 11 = 128
5-4	SFP[1:0]	Smart fault sampling frequency selector (read/write): 00 = FOSC/4 01 = FOSC/8 10 = FOSC/16 11 = FOSC/128
3	SFCEN	Smart fault/brake counter enable (read/write): 0 = Disable, and clear internal smart fault counter. 1 = Enable smart fault detector.
2	SFCST	Smart fault/brake counter status (read only): 0 = Counter is non-active. 1 = Counter is active.
1	SFCDIR	Smart fault/brake counters direction status (read only): 0 = Down counting. 1 = Up counting.
0	LSBD	Low level smart brake detector: 0 = Disable low level smart brake detector. 1 = Enable low level smart brake detector. It will be cleared by software.

ADC PIN SELECT

Bit:	7	6	5	4	3	2	1	0
	ADCPS.7	ADCPS.6	ADCPS.5	ADCPS.4	ADCPS.3	ADCPS.2	ADCPS.1	ADCPS.0

Mnemonic: ADCPS

Address: C6h

BIT	NAME	FUNCTION
7-0	ADCPS	ADC input pin select. There are 8 ADC input pins shared with P1.0~P1.7. Its' functions are controlled by the bit value in ADCPS. Set the bit to switch the corresponding pin to ADC input port; clear the bit to disable the pin to perform ADC input port. The reset value is 00H.

BIT	CORRESPONDING PIN	BIT	CORRESPONDING PIN
ADCPS.0	P1.0	ADCPS.4	P1.4
ADCPS.1	P1.1	ADCPS.5	P1.5
ADCPS.2	P1.2	ADCPS.6	P1.6
ADCPS.3	P1.3	ADCPS.7	P1.7

TIMED ACCESS

Bit:	7	6	5	4	3	2	1	0
	TA.7	TA.6	TA.5	TA.4	TA.3	TA.2	TA.1	TA.0

Mnemonic: TA

Address: C7h

Publication Release Date: December 14, 2007

Preliminary W79E225A/227A Data Sheet



BIT	NAME	FUNCTION
7-0	TA	The Timed Access register controls the access to protected bits. To access protected bits, the user must first write AAh to TA. This must be immediately followed by a write of 55h to TA. Now a window is opened in the protected bits for three machine cycles, during which the user can write to these bits. For detail data, please refer "TIMED ACCESS PROTECTION" section.

TIMER 2 CONTROL

Bit:	7	6	5	4	3	2	1	0
	TF2	EXF2	RCLK	TCLK	EXEN2	TR2	C/ \overline{T}	CP/ $\overline{RL2}$

Mnemonic: T2CON

Address: C8h

BIT	NAME	FUNCTION
7	TF2	Timer 2 overflows flag. This bit is set when Timer 2 overflows. It is also set when the count is equal to the capture register in down count mode. It can be set only if RCLK and TCLK are both 0. It is cleared only by software. Software can also set this bit.
6	EXF2	Timer 2 External Flag. A negative transition on the T2EX pin (P4.1) or timer 2 underflow/overflow will cause this flag to set based on CP/ $\overline{RL2}$, EXEN2 and DCEN bits. If EXF2 is set by a negative transition, this flag must be cleared by software. Setting this bit in software or detection of a negative transition on T2EX pin will force a timer interrupt if enabled.
5	RCLK	Receive clock Flag. This bit determines the serial port time-base when receiving data in serial modes 1 or 3. If it is 0, then timer 1 overflow is used for baud rate generation, else timer 2 overflow is used. Setting this bit forces timer 2 in baud rate generator mode.
4	TCLK	Transmit clock Flag: This bit determines the serial port time-base when transmitting data in mode 1 and 3. If it is set to 0, the timer 1 overflow is used to generate the baud rate clock; else timer 2 overflow is used. Setting this bit forces timer 2 in baud rate generator mode.
3	EXEN2	Timer 2 External Enable. This bit enables the capture/reload function on the T2EX pin if Timer 2 is not generating baud clocks for the serial port. If this bit is 0, then the T2EX pin will be ignored, else a negative transition detected on the T2EX pin will result in capture or reload.
2	TR2	Timer 2 Run Control. This bit enables/disables the operation of timer 2. Halting this will preserve the current count in TH2, TL2.
1	C/ \overline{T}	Counter/Timer select. This bit determines whether timer 2 will function as a timer or a counter. Independent of this bit, the timer will run at 2 clocks per tick when used in baud rate generator mode. If it is set to 0, then timer 2 operates as a timer at a speed depending on T2M bit (CKCON.5), else, it will count negative edges on T2 pin.
0	CP/ $\overline{RL2}$	Capture/Reload Select. This bit determines whether the capture or reload function will be used for timer 2. If either RCLK or TCLK is set, this bit will not function and the timer will function in an auto-reload mode following each overflow. If the bit is 0 then auto-reload will occur when timer 2 overflows or a falling edge is detected on T2EX if EXEN2 =1. If this bit is 1, then timer 2 captures will occur when a falling edge is detected on T2EX if EXEN2=1.

Preliminary W79E225A/227A Data Sheet



TIMER 2 MODE CONTROL

Bit:	7	6	5	4	3	2	1	0
	HC5	HC4	HC3	HC2	T2CR	-	-	DCEN

Mnemonic: T2MOD

Address: C9h

BIT	NAME	FUNCTION
7	HC5	Hardware clears INT5 flag. Setting this bit allows the flag of External Interrupt 5 to be automatically cleared by hardware while entering the interrupt service routine.
6	HC4	Hardware clears INT4 flag. Setting this bit allows the flag of External Interrupt 4 to be automatically cleared by hardware while entering the interrupt service routine.
5	HC3	Hardware clears INT3 flag. Setting this bit allows the flag of External Interrupt 3 to be automatically cleared by hardware while entering the interrupt service routine.
4	HC2	Hardware clears INT2 flag. Setting this bit allows the flag of External Interrupt 2 to be automatically cleared by hardware while entering the interrupt service routine.
3	T2CR	Timer 2 Capture Reset. In the Timer 2 Capture Mode this bit enables/disables hardware automatically reset timer 2 while the value in TL2 and TH2 have been transferred into the capture register.
2-1	-	Reserved.
0	DCEN	Down Count Enable. This bit, in conjunction with the T2EX pin, controls the up/down direction that timer 2 counts in 16-bit auto-reload mode.

TIMER 2 CAPTURE LSB

Bit:	7	6	5	4	3	2	1	0
	RCAP2L. 7	RCAP2L. 6	RCAP2L. 5	RCAP2L. 4	RCAP2L. 3	RCAP2L. 2	RCAP2L. 1	RCAP2L. 0

Mnemonic: RCAP2L

Address: CAh

BIT	NAME	FUNCTION
7-0	RCAP2L	Timer 2 Capture LSB: This register is used to capture the TL2 value when a timer 2 is configured in capture mode. RCAP2L is also used as the LSB of a 16 bit reload value when timer 2 is configured in auto reload mode.

TIMER 2 CAPTURE MSB

Bit:	7	6	5	4	3	2	1	0
	RCAP2H. 7	RCAP2H. 6	RCAP2H. 5	RCAP2H. 4	RCAP2H. 3	RCAP2H. 2	RCAP2H. 1	RCAP2H. 0

Mnemonic: RCAP2H

Address: CBh

Preliminary W79E225A/227A Data Sheet



BIT	NAME	FUNCTION
7-0	RCAP2H	Timer 2 Capture HSB: This register is used to capture the TH2 value when a timer 2 is configured in capture mode. RCAP2H is also used as the HSB of a 16 bit reload value when timer 2 is configured in auto reload mode.

TIMER 2 LSB

Bit:	7	6	5	4	3	2	1	0
	TL2.7	TL2.6	TL2.5	TL2.4	TL2.3	TL2.2	TL2.1	TL2.0

Mnemonic: TL2

Address: CCh

TL2 Timer 2 LSB

TIMER 2 MSB

Bit:	7	6	5	4	3	2	1	0
	TH2.7	TH2.6	TH2.5	TH2.4	TH2.3	TH2.2	TH2.1	TH2.0

Mnemonic: TH2

Address: CDh

TH2 Timer 2 MSB

PWM CONTROL REGISTER 2

Bit:	7	6	5	4	3	2	1	0
	BKCH	BKPS	BPEN	BKEN	FP1	FP0	PMOD1	PMOD0

Mnemonic: PWMCON2

Address: CEh

BIT	NAME	FUNCTION												
7	BKCH	See table below for BKCH settings.												
6	BKPS	Select which brake condition triggers brake flag. LSB D bit is described in SFR FSPLT. <table border="1" style="margin-left: 20px;"> <thead> <tr> <th>BKPS</th> <th>LSBD</th> <th>Description</th> </tr> </thead> <tbody> <tr> <td>0</td> <td>0</td> <td>0 = Brake is asserted if P1.1 is low.</td> </tr> <tr> <td>1</td> <td>0</td> <td>1 = Brake is asserted if P1.1 is high</td> </tr> <tr> <td>x</td> <td>1</td> <td>Low level smart brake detector.</td> </tr> </tbody> </table>	BKPS	LSBD	Description	0	0	0 = Brake is asserted if P1.1 is low.	1	0	1 = Brake is asserted if P1.1 is high	x	1	Low level smart brake detector.
BKPS	LSBD	Description												
0	0	0 = Brake is asserted if P1.1 is low.												
1	0	1 = Brake is asserted if P1.1 is high												
x	1	Low level smart brake detector.												
5	BPEN	See table below for BPEN settings.												
4	BKEN	0 = The Brake is never asserted. 1 = The Brake is enabled.												
BIT	NAME	FUNCTION												
3-2	FP[1:0]	Select PWM frequency prescaler select bits. The clock source of prescaler, Fpwm is in phase with Fosc if PWMRUN=1. <table border="1" style="margin-left: 20px;"> <thead> <tr> <th>FP[1:0]</th> <th>Fpwm</th> </tr> </thead> <tbody> <tr> <td>00</td> <td>F_{osc}</td> </tr> <tr> <td>01</td> <td>F_{osc} /2</td> </tr> <tr> <td>10</td> <td>F_{osc} /4</td> </tr> <tr> <td>11</td> <td>F_{osc} /16</td> </tr> </tbody> </table>	FP[1:0]	Fpwm	00	F _{osc}	01	F _{osc} /2	10	F _{osc} /4	11	F _{osc} /16		
FP[1:0]	Fpwm													
00	F _{osc}													
01	F _{osc} /2													
10	F _{osc} /4													
11	F _{osc} /16													

Preliminary W79E225A/227A Data Sheet



Continued

BIT	NAME	FUNCTION	
1-0	PMOD[1:0]	PWM Mode selects bits:	
		PMOD[1:0]	Description
		00	Edge-aligned mode. (up counter)
		01	Single-shot mode. (up counter)
		10	Center aligned mode (up-down counter)
		11	Reserved

Brake Condition Table

BPEN	BKCH	BRAKE CONDITION
0	0	Brake On, (Software brake and keeping brake). Software brake condition. When active (BPEN=BKCH=0, and BKEN=1), PWM output follows PWMnB setting. This brake has no effect on PWMRUN bit; therefore, internal PWM generator continues to run. When the brake is released, the state of PWM output depends on the current state of PWM generator output during the release.
0	1	Brake On, when PWM is not running (PWMRUN=0), the PWM output condition is follow PWMnB setting. When the brake is released (by disabling BKEN = 0), the PWM output resumes to the state when PWM generator stop running prior to enabling the brake. Brake Off, when PWM is running (PWMRUN=1).
1	0	Brake On, when Brake Pin asserted, PWM output follows PWMnB setting. The PWMRUN will be clear. External pin brake condition. When active (by external pin), PWM output follows PWMnB setting. PWMRUN will be cleared by hardware. BKF flag will be set. When the brake is released (by de-asserting the external pin + disabling BKEN = 0), the PWM output resumes to the state of the PWM generator output prior to the brake.
1	1	This brake condition (by Brake Pin) causes BKF to be set, but PWM generator continues to run. The PWM output does not follow PWMnB, instead it output continuously as per normal without affected by the brake.

PWM 4 LOW BITS REGISTER

Bit:	7	6	5	4	3	2	1	0
	PWM4.7	PWM4.6	PWM4.5	PWM4.4	PWM4.3	PWM4.2	PWM4.1	PWM4.0

Mnemonic: PWM4L

Address: CFh

PWM4.7-0 PWM4 Low Bits Register.

PROGRAM STATUS WORD

Bit:	7	6	5	4	3	2	1	0
	CY	AC	F0	RS1	RS0	OV	F1	P

Mnemonic: PSW

Address: D0h

Publication Release Date: December 14, 2007

Preliminary W79E225A/227A Data Sheet



BIT	NAME	FUNCTION																				
7	CY	Carry flag. Set for an arithmetic operation which results in a carry being generated from the ALU. It is also used as the accumulator for the bit operations.																				
6	AC	Auxiliary carry: Set when the previous operation resulted in a carry (during addition) or a borrow (during subtraction) from the high order nibble.																				
5	F0	User flag 0. A general purpose flag that can be set or cleared by the by software.																				
4-3	RS.1-0	Register bank selects bits: <table border="1"> <thead> <tr> <th>RS1</th> <th>RS2</th> <th>Register Bank</th> <th>Address</th> </tr> </thead> <tbody> <tr> <td>0</td> <td>0</td> <td>0</td> <td>00-07h</td> </tr> <tr> <td>0</td> <td>1</td> <td>1</td> <td>08-0Fh</td> </tr> <tr> <td>1</td> <td>0</td> <td>2</td> <td>10-17h</td> </tr> <tr> <td>1</td> <td>1</td> <td>3</td> <td>18-1Fh</td> </tr> </tbody> </table>	RS1	RS2	Register Bank	Address	0	0	0	00-07h	0	1	1	08-0Fh	1	0	2	10-17h	1	1	3	18-1Fh
RS1	RS2	Register Bank	Address																			
0	0	0	00-07h																			
0	1	1	08-0Fh																			
1	0	2	10-17h																			
1	1	3	18-1Fh																			
2	OV	Overflow flag. Set when a carry was generated from the seventh bit but not from the 8th bit as a result of the previous operation or vice-versa.																				
1	F1	User Flag 1. General purpose flag that can be set or cleared by the user by software.																				
0	P	Parity flag. Set/cleared by hardware to indicate odd/even number of 1's in the accumulator.																				

PWMP COUNTER HIGH BITS REGISTER

Bit:	7	6	5	4	3	2	1	0
	-	-	-	-	PWMP.11	PWMP.10	PWMP.9	PWMP.8

Mnemonic: PWMPH

Address: D1h

BIT	NAME	FUNCTION
7-4	-	Reserved.
3-0	PWMP.11~PWMP.8	PWM Counter Register bits 11~8.

PWM 0 HIGH BITS REGISTER

Bit:	7	6	5	4	3	2	1	0
	-	-	-	-	PWM0.11	PWM0.10	PWM0.9	PWM0.8

Mnemonic: PWM0H

Address: D2h

BIT	NAME	FUNCTION
7~4	-	Reserved.
3~0	PWM0.11 ~PWM0.8	The PWM 0 Register bit 11~8.

NVM DATA

Bit:	7	6	5	4	3	2	1	0
	NVMDAT.7	NVMDAT.6	NVMDAT.5	NVMDAT.4	NVMDAT.3	NVMDAT.2	NVMDAT.1	NVMDAT.0

Mnemonic: NVMDAT

Address: D3h

Preliminary W79E225A/227A Data Sheet



BIT	NAME	FUNCTION
7~0	NVMDAT.7~NVMDAT.0	The NVM data write register. The read NVM data is by MOVX instruction.

QEI CONTROL REGISTER

Bit:	7	6	5	4	3	2	1	0
	-	-	-	DISIDX	DIR	QEIM1	QEIM0	QEIEN

Mnemonic: QEICON

Address: D4h

BIT	NAME	FUNCTION															
7-5	-	Reserved.															
4	DISIDX	Disable Input Capture 2 edge detection function: 0 = Enable IC2 edge detection function (default). 1 = Disable IC2 edge detection function. This bit is effective when QEIEN=1.															
3	DIR	Direction index of motion detection bit: 1 = Forward (Up-counting). 0 = Backward (Down-counting). This bit is writable and readable.															
2-1	QEIM[1:0]	QEI mode select bits:															
		<table border="1"> <thead> <tr> <th>QEIM1</th> <th>QEIM0</th> <th>Descriptions</th> </tr> </thead> <tbody> <tr> <td>0</td> <td>0</td> <td>X4 free-counting mode</td> </tr> <tr> <td>0</td> <td>1</td> <td>X2 free-counting mode</td> </tr> <tr> <td>1</td> <td>0</td> <td>X4 compare-counting mode</td> </tr> <tr> <td>1</td> <td>1</td> <td>X2 compare-counting mode</td> </tr> </tbody> </table>	QEIM1	QEIM0	Descriptions	0	0	X4 free-counting mode	0	1	X2 free-counting mode	1	0	X4 compare-counting mode	1	1	X2 compare-counting mode
		QEIM1	QEIM0	Descriptions													
		0	0	X4 free-counting mode													
		0	1	X2 free-counting mode													
1	0	X4 compare-counting mode															
1	1	X2 compare-counting mode															
0	QEIEN	Input module mode select bit: 0 = Input module performs Input Capture Functions. (Default value). 1 = Input module works as QEI.															

PWM 2 HIGH BITS REGISTER

Bit:	7	6	5	4	3	2	1	0
	-	-	-	-	PWM2.11	PWM2.10	PWM2.9	PWM2.8

Mnemonic: PWM2H

Address: D5h

BIT	NAME	FUNCTION
7~4	-	Reserved
3~0	PWM2.11 ~PWM2.8	PWM 2 Register bit 11~8.

PWM 6 HIGH BITS REGISTER

Bit:	7	6	5	4	3	2	1	0
	-	-	-	-	PWM6.11	PWM6.10	PWM6.9	PWM6.8

Mnemonic: PWM6H

Address: D6h

Publication Release Date: December 14, 2007

Preliminary W79E225A/227A Data Sheet



BIT	NAME	FUNCTION
7~4	-	Reserved
3~0	PWM6.11 ~PWM6.8	PWM 6 Register bit 11~8.

WATCHDOG CONTROL 2

Bit:	7	6	5	4	3	2	1	0
	-	-	-	-	-	-	-	STRLD

Mnemonic: WDCON2

Address: D7h

BIT	NAME	FUNCTION
7-6	-	Reserved.
0	STRLD	Set this bit, CPU will restart from LD Flash EPROM after watchdog reset. Clear this bit, CPU will restart from AP Flash EPROM after watchdog reset. This register is protected by timer access (TA) register.

WATCHDOG CONTROL

Bit:	7	6	5	4	3	2	1	0
	-	POR	-	-	WDIF	WTRF	EWT	RWT

Mnemonic: WDCON

Address: D8h

BIT	NAME	FUNCTION
7	-	Reserved.
6	POR	Power-on Reset Flag. Hardware will set this flag on a power up condition. This flag can be read or written by software. A write by software is the only way to clear this bit once it is set.
5-4	-	Reserved.
3	WDIF	Watchdog Timer Interrupt Flag. This bit is set by hardware to indicate that the time-out period has elapsed and invoke watch dog timer interrupt if enabled (EWDI=1). This bit must be clear by software.
2	WTRF	Watchdog Timer Reset Flag. Hardware will set this bit when the watchdog timer causes a reset if EWT= 1. Software can read it but must clear it manually. A power-on reset will also clear the bit. This bit helps software in determining the cause of a reset
1	EWT	Enable Watchdog timer Reset. Setting this bit will enable the Watchdog timer Reset function after 512 clocks delay from time out and setting WTRF flag.
0	RWT	Reset Watchdog Timer. This bit restarts the watchdog timer and helps in putting the watchdog timer into a know state. It also helps in resetting the watchdog timer before a time-out occurs. If EWDI (EIE.4) is set, an interrupt will occur when time-out. If EWT is set, 512 clocks after the time-out, a system reset will occur and CPU starts from 0000H. This bit is self-clearing. The WDCON SFR is set to a 0x0x0xx0b on an external reset. WTRF is set to a 1 on a Watchdog timer reset, but to a 0 on power on resets. WTRF is not altered by an external reset. POR is set to 1 by a power-on reset. EWT is cleared to 0 on a Power-on reset and unaffected by other resets.

Preliminary W79E225A/227A Data Sheet



The WDCON SFR is set to x0xx 0000b on an external reset. WTRF is set to a 1 on a Watchdog timer reset, but to a 0 on power on resets. POR is set to 1 by a power-on reset. EWT is cleared to 0 on a Power-on reset, reset pin reset, Watch Dog Timer reset and ISP reset.

All the bits in this SFR have unrestricted read access. The bits of POR, WDIF, EWT and RWT require Timed Access (TA) procedure to write. The remaining bits have unrestricted write accesses. Please refer TA register description.

PWMP COUNTER LOW BITS REGISTER

Bit:	7	6	5	4	3	2	1	0
	PWMP.7	PWMP.6	PWMP.5	PWMP.4	PWMP.3	PWMP.2	PWMP.1	PWMP.0

Mnemonic: PWMP.L

Address: D9h

BIT	NAME	FUNCTION
7~0	PWMP.7 ~PWMP.0	PWM Counter Low Bits Register.

PWM0 LOW BITS REGISTER

Bit:	7	6	5	4	3	2	1	0
	PWM0.7	PWM0.6	PWM0.5	PWM0.4	PWM0.3	PWM0.2	PWM0.1	PWM0.0

Mnemonic: PWM0.L

Address: DAh

BIT	NAME	FUNCTION
7~0	PWM0.7 ~PWM0.0	PWM 0 Low Bits Register.

NVM LOW BYTE ADDRESS

Bit:	7	6	5	4	3	2	1	0
	NVMADDR L.7	NVMADDR L.6	NVMADDR L.5	NVMADDR L.4	NVMADDR L.3	NVMADDR L.2	NVMADDR L.1	NVMADDR L.0

Mnemonic: NVMADDR.L

Address: DBh

BIT	NAME	FUNCTION
7~0	NVMADDR.L.7~NVMADDR.L.0	NVM low byte address.

PWM CONTROL REGISTER 1

Bit:	7	6	5	4	3	2	1	0
	PWMRUN	Load	PWMF	CLRPWM	PWM6I	PWM4I	PWM2I	PWM0I

Mnemonic: PWMCON1

Address: DCh

Preliminary W79E225A/227A Data Sheet



BIT	NAME	FUNCTION
7	PWMRUN	0 = The PWM is not running. 1 = The PWM counter is running.
6	Load	This bit is auto cleared by hardware after the PWMP and PWMn are transferred to counter and compare register: 0 = The registers value of PWMP and PWMn is never loaded to counter and compare registers. 1 = The PWMP and PWMn registers load value to counter and compare registers at the counter underflow/match.
5	PWMF	12 bit counter overflow flag: 0 = The 12-bit counter is not underflow/match. 1 = The 12-bit counter is underflow/match. It will be set by hardware and cleared by software.
4	CLRPWM	1 = Clear 12-bit PWM counter to 000H. It will be automatically clear by hardware.
3-0	PWMxI	0 = PWM0 output is non-inverted. 1 = PWM0 output is inverted. Note: x = 0,2,4,6.

PWM 2 LOW BITS REGISTER

Bit:	7	6	5	4	3	2	1	0
	PWM2.7	PWM2.6	PWM2.5	PWM2.4	PWM2.3	PWM2.2	PWM2.1	PWM2.0

Mnemonic: PWM2L

Address: DDh

BIT	NAME	FUNCTION
7~0	PWM2.7 ~PWM2.0	PWM 2 Low Bits Register.

PWM 6 LOW BITS REGISTER

Bit:	7	6	5	4	3	2	1	0
	PWM6.7	PWM6.6	PWM6.5	PWM6.4	PWM6.3	PWM6.2	PWM6.1	PWM6.0

Mnemonic: PWM6L

Address: DEh

BIT	NAME	FUNCTION
7~0	PWM6.7 ~PWM6.0	PWM 6 Low Bits Register.

PWM CONTROL REGISTER 3

Bit:	7	6	5	4	3	2	1	0
	PWM7B	PWM6B	PWM5B	PWM4B	PWM3B	PWM2B	PWM1B	PWM0B

Mnemonic: PWMCON3

Address: DFh

勝特力材料 886-3-5753170
 勝特力电子(上海) 86-21-34970699
 勝特力电子(深圳) 86-755-83298787
[Http://www.100y.com.tw](http://www.100y.com.tw)

Publication Release Date: December 14, 2007

Preliminary W79E225A/227A Data Sheet



BIT	NAME	FUNCTION
7-0	PWMxB	0 = The PWM0 output is low, when Brake is asserted. 1 = The PWM0 output is high, when Brake is asserted. Note: x = 0~7

ACCUMULATOR

Bit:	7	6	5	4	3	2	1	0
	ACC.7	ACC.6	ACC.5	ACC.4	ACC.3	ACC.2	ACC.1	ACC.0

Mnemonic: ACC

Address: E0h

BIT	NAME	FUNCTION
7-0	ACC	The A or ACC register is the standard 8032 accumulator

ADC CONTROL REGISTER

Bit:	7	6	5	4	3	2	1	0
	ADCEN	-	ADCEX	ADCI	ADCS	AADR.2	AADR.1	AADR.0

Mnemonic: ADCCON

Address: E1h

BIT	NAME	FUNCTION																				
7	ADCEN	Enable A/D Converter Function. Set ADCEN to logic high to enable ADC block.																				
6	-	Reserved.																				
5	ADCEX	Enable external start control of ADC conversion by a rising edge from P4.0. ADCEX=0: Disable external start. ADCEX=1: Enable external start control.																				
4	ADCI	A/D Converting Complete/Interrupt Flag. This flag is set when ADC conversion is completed. The ADC interrupt is requested if the interrupt is enabled. ADCI is set by hardware and cleared by software only.																				
3	ADCS	ADC Start and Status: Set this bit to start an A/D conversion. It may also be set by STADC if ADCEX is 1. This signal remains high while the ADC is busy and is reset right after ADCI is set. Notes: 1. It is recommended to clear ADCI before ADCS is set. However, if ADCI is cleared and ADCS is set at the same time, a new A/D conversion may start on the same channel. 2. Software clearing of ADCS will abort conversion in progress. 3. ADC cannot start a new conversion while ADCS or ADCI is high.																				
2-0	AADR	Select and enable analog input channel from ADC0 to ADC7. <table border="1"> <thead> <tr> <th>AADR[2:0]</th> <th>ADC selected input</th> <th>AADR[2:0]</th> <th>ADC selected input</th> </tr> </thead> <tbody> <tr> <td>000</td> <td>ADCCH0 (P1.0)</td> <td>100</td> <td>ADCCH4 (P1.4)</td> </tr> <tr> <td>001</td> <td>ADCCH1 (P1.1)</td> <td>101</td> <td>ADCCH5 (P1.5)</td> </tr> <tr> <td>010</td> <td>ADCCH2 (P1.2)</td> <td>110</td> <td>ADCCH6 (P1.6)</td> </tr> <tr> <td>011</td> <td>ADCCH3 (P1.3)</td> <td>111</td> <td>ADCCH7 (P1.7)</td> </tr> </tbody> </table>	AADR[2:0]	ADC selected input	AADR[2:0]	ADC selected input	000	ADCCH0 (P1.0)	100	ADCCH4 (P1.4)	001	ADCCH1 (P1.1)	101	ADCCH5 (P1.5)	010	ADCCH2 (P1.2)	110	ADCCH6 (P1.6)	011	ADCCH3 (P1.3)	111	ADCCH7 (P1.7)
AADR[2:0]	ADC selected input	AADR[2:0]	ADC selected input																			
000	ADCCH0 (P1.0)	100	ADCCH4 (P1.4)																			
001	ADCCH1 (P1.1)	101	ADCCH5 (P1.5)																			
010	ADCCH2 (P1.2)	110	ADCCH6 (P1.6)																			
011	ADCCH3 (P1.3)	111	ADCCH7 (P1.7)																			

Preliminary W79E225A/227A Data Sheet



The ADCI and ADCS control the ADC conversion as below:

ADCI	ADCS	ADC STATUS
0	0	ADC not busy; A conversion can be started.
0	1	ADC busy; Start of a new conversion is blocked.
1	0	Conversion completed; Start of a new conversion requires ADCI = 0.
1	1	This is an internal temporary state that user can ignore it.

ADC CONVERTER RESULT HIGH REGISTER

Bit:	7	6	5	4	3	2	1	0
	ADC.9	ADC.8	ADC.7	ADC.6	ADC.5	ADC.4	ADC.3	ADC.2

Mnemonic: ADCH

Address: E2h

BIT	NAME	FUNCTION
7-0	ADC[9:2]	8 MSB of 10 bit A/D conversion result. ADCH is a read only register.

ADC CONVERTER RESULT LOW REGISTER

Bit:	7	6	5	4	3	2	1	0
	ADCLK.1	ADCLK.0	-	-	-	-	ADC.1	ADC.0

Mnemonic: ADCL

Address: E3h

BIT	NAME	FUNCTION		
7-6	ADCLK	ADC Clock Frequency Select. The 10 bit ADC needs a clock to drive the converting that the clock frequency may not over 4MHz. ADCLK[1:0] controls the frequency of the clock to ADC block:		
		ADCLK.1	ADCLK.0	ADC Clock Frequency
		0	0	Crystal clock / 4 (Default)
		0	1	Crystal clock / 8
		1	0	Crystal clock / 16
		1	1	Reserved
1-0	ADC	2 LSB of 10-bit A/D conversion result. Both bits are read only.		

PWM DEAD-TIME CONTROL REGISTER 1

Bit:	7	6	5	4	3	2	1	0
	PDTC1.7	PDTC1.6	PDTC1.5	PDTC1.4	PDTC1.3	PDTC1.2	PDTC1.1	PDTC1.0

Mnemonic: PDTC1

Address: E5h

Preliminary W79E225A/227A Data Sheet



BIT	NAME	FUNCTION															
7-6	PDTC1	Dead-time clock frequency (FDT) prescaler select bits.															
		<table border="1"> <thead> <tr> <th>PDTC1.7</th> <th>PDTC1.6</th> <th>FDT</th> </tr> </thead> <tbody> <tr> <td>0</td> <td>0</td> <td>Fosc/2</td> </tr> <tr> <td>0</td> <td>1</td> <td>Fosc/4</td> </tr> <tr> <td>1</td> <td>0</td> <td>Fosc/8</td> </tr> <tr> <td>1</td> <td>1</td> <td>Fosc/16</td> </tr> </tbody> </table>	PDTC1.7	PDTC1.6	FDT	0	0	Fosc/2	0	1	Fosc/4	1	0	Fosc/8	1	1	Fosc/16
		PDTC1.7	PDTC1.6	FDT													
		0	0	Fosc/2													
		0	1	Fosc/4													
1	0	Fosc/8															
1	1	Fosc/16															
5-0	PDTC1	Dead time counter. Unsigned 6 bit dead time value bits for Dead Time Unit. Dead-time = FDT * (PDTC1 [5:0]+1)															

PWM DEAD-TIME CONTROL REGISTER 0

Bit:	7	6	5	4	3	2	1	0
	PDTC0.7	PDTC0.6	PDTC0.5	PDTC0.4	PDTC0.3	PDTC0.2	PDTC0.1	PDTC0.0

Mnemonic: PDTC0

Address: E6h

BIT	NAME	FUNCTION
7-4	PDTC0	Control complementary PWM to delay a dead-time at every rising edge or falling edge. Reset value = 0. 1 = Dead-time is inserted at falling edge. 0 = Dead-time is inserted at rising edge. PDTC0.4 - controls the pair of (PWM0, PWM1). PDTC0.5 - controls the pair of (PWM2, PWM3). PDTC0.6 - controls the pair of (PWM4, PWM5). PDTC0.7 - controls the pair of (PWM6, PWM7).
3-0	PDTC0	Enable dead-time insertion; Dead-time insertion is only active when the pair of complementary PWM is enabled. Reset value=0. If dead-time insertion is inactive, the outputs of pin pair are complementary without any delay. 1 = Programmable dead-time is inserted into the pair signals of comparator output to delay the pair signals change from low to high. 0 = Disable dead-time insertion. PDTC0.0 - enables the dead-time insertion on the pin pair (PWM0, PWM1). PDTC0.1 - enables the dead-time insertion on the pin pair (PWM2, PWM3). PDTC0.2 - enables the dead-time insertion on the pin pair (PWM4, PWM5). PDTC0.3 - enables the dead-time insertion on the pin pair (PWM6, PWM7).

PWM CONTROL REGISTER 4

Bit:	7	6	5	4	3	2	1	0
	PWMEOM	PWMOOM	PWM6OM	PWM7OM	-	-	-	BKF

Mnemonic: PWMCON4

Address: E7h

Preliminary W79E225A/227A Data Sheet



BIT	NAME	FUNCTION
7	PWMEOM	PWM Channel 0, 2 and 4 Output Mode. 0 = Disable PWM channels 0, 2 and 4 to pwm output pins. 1 = Enable PWM channels 0, 2 and 4 to pwm output pins.
6	PWMOOM	PWM Channel 1, 3 and 5 Output Mode. 0 = Disable PWM channels 1, 3 and 5 to pwm output pins. 1 = Enable PWM channels 1, 3 and 5 to pwm output pins.
5	PWM6OM	PWM Channel 6 Output Mode. 0 = Disable PWM channel 6 to pwm output pin. 1 = Enable PWM channel 6 to pwm output pin.
4	PWM7OM	PWM Channel 7 Output Mode. 0 = Disable PWM channel 7 to pwm output pin. 1 = Enable PWM channel 7 to pwm output pin.
3-1	-	Reserved.
0	BKF	The External Brake Pin Flag. 0 = The PWM is not brake. 1 = The PWM is brake by external brake pin. It will be cleared by software.

Together with option bits (PWMEE and PWMOE), PWMEOM, PWMOOM, PWM6OM and PWM7OM control the PWM pin structure, as follow;

PWMEE/PWMOE (OPTION BITS)	PWMEOM/PWMOOM /PWM6OM/PWM7OM	PIO.X (X = 0-7)	PIN STRUCTURES
X	0	X	Tri-state
1 (Disable)	1	X	Quasi (I/O output)
0 (Enable)	1	0	Push Pull (PWM output)
0 (Enable)	1	1	Push Pull (I/O output)

Table 7-2: PWM pin structures (during internal rom execution)

PWMEE/PWMOE (OPTION BITS)	PWMEOM/PWMOOM /PWM6OM/PWM7OM	PIO.X (X = 0-7)	PIN OUTPUT	PIN STRUCTURES
1 (Disable)	X	X	External access	Push Pull
0 (Enable)	X	X	External access	Push Pull (strong)

Table 7-3: PWM pin structures (during external rom execution)

Note: PWMEOM/PWMOOM/PWM6OM/PWM7OM are cleared to zero when CPU in reset state. Thus, the port pins that multi-function with PWM will be tristated on default. User is required to set the bits to 1 to enable GPIO/PWM outputs.

Preliminary W79E225A/227A Data Sheet



EXTENDED INTERRUPT ENABLE

Bit:	7	6	5	4	3	2	1	0
	ES1	EX5	EX4	EWDI	EX3	EX2	-	EI2C

Mnemonic: EIE

Address: E8h

BIT	NAME	FUNCTION
7	ES1	Enable Serial Port 1 interrupts.
6	EX5	Enable External Interrupt 5.
5	EX4	Enable External Interrupt 4.
4	EWDI	Enable Watchdog timer interrupt.
3	EX3	Enable External Interrupt 3.
2	EX2	Enable External Interrupt 2.
1	-	Reserved.
0	EI2C	Enable I2C interrupt.

I2C CONTROL REGISTER

Bit:	7	6	5	4	3	2	1	0
	-	ENS	STA	STO	SI	AA	I2CIN	-

Mnemonic: I2CON

Address: E9h

BIT	NAME	FUNCTION
7	-	Reserved.
6	ENS	I2C serial function block enable bit. When ENS=1 the I2C serial function enables. The port latches of SDA and SCL must be set to logic high.
5	STA	I2C START Flag. Setting STA to logic 1 to enter master mode, the I2C hardware sends a START or repeat START condition to bus when the bus is free.
4	STO	I2C STOP Flag. In master mode, setting STO to transmit a STOP condition to bus then I2C hardware will check the bus condition if a STOP condition is detected this flag will be cleared by hardware automatically. In a slave mode, setting STO resets I2C hardware to the defined "not addressed" slave mode.
3	SI	I2C Interrupt Flag. When a new SIO state is present in the S1STA register, the SI flag is set by hardware, and if the EA and EI2C bits are both set, the I2C interrupt is requested. SI must be cleared by software.
2	AA	Assert Acknowledge Flag. When AA=1 an acknowledged (low level to SDA) will be returned during the acknowledge clock pulse on the SCL line. When AA=0 an acknowledged (high level to SDA) will be returned during the acknowledge clock pulse on the SCL line.
1	I2CIN	By default it is zero and input are allows to come in through SDA pin. As when it is 1 input is disallow and to prevent leakage current. During Power-Down mode input is disallow.
0	-	Reserved.

Preliminary W79E225A/227A Data Sheet



I2C ADDRESS REGISTER

Bit:	7	6	5	4	3	2	1	0
	I2ADDR.7	I2ADDR.6	I2ADDR.5	I2ADDR.4	I2ADDR.3	I2ADDR.2	I2ADDR.1	GC

Mnemonic: I2ADDR

Address: EAh

BIT	NAME	FUNCTION
7-1	I2ADDR	I2C Slave Address. The contents of the register are irrelevant when I2C is in master mode. In the slave mode, the seven most significant bits must be loaded with the MCU's own slave address. The I2C hardware will react if the contents of I2ADDR are matched with the received slave address.
0	GC	Enable General Call Function. The GC bit is set the I2C port hardware will respond to General Call address (00H). Clear GC bit to disable general call function.

NVM HIGH BYTE ADDRESS

Bit:	7	6	5	4	3	2	1	0
	-	-	-	-	-	NVMADDR H.10	NVMADDR H.9	NVMADDR H.8

Mnemonic: NVMADDRH

Address: EBh

BIT	NAME	FUNCTION
7-3	-	Reserved.
2-0	NVMADDRH.10 ~ NVMADDRH.8	NVM High byte address

I2C DATA REGISTER

Bit:	7	6	5	4	3	2	1	0
	I2DAT.7	I2DAT.6	I2DAT.5	I2DAT.4	I2DAT.3	I2DAT.2	I2DAT.1	I2DAT.0

Mnemonic: I2DAT

Address: ECh

I2DAT.7-0 The data register of I2C channel.

I2C STATUS REGISTER

Bit:	7	6	5	4	3	2	1	0
	B7	B6	B5	B4	B3	0	0	0

Mnemonic: I2STATUS

Address: EDh

BIT	NAME	FUNCTION
7-0	I2STATUS	The Status Register of I2C. The three least significant bits are always 0. The five most significant bits contain the status code. There are 23 possible status codes. When I2STATUS contains F8H, no serial interrupt is requested. All other I2STATUS values correspond to defined I2C states. When each of these states is entered, the I2C1 interrupt is requested (SI = 1). A valid status code is present in I2STATUS one machine cycle after SI is set by hardware and is still present one machine cycle after SI has been reset by software. In addition, states 00H stands for a Bus Error. A Bus Error occurs when a START or STOP condition is present at an illegal position in the formation frame. Example of illegal position are during the serial transfer of an address byte, a data byte or an acknowledge bit.

Preliminary W79E225A/227A Data Sheet



I2C BAUD RATE CONTROL REGISTER

Bit:	7	6	5	4	3	2	1	0
	I2CLK.7	I2CLK.6	I2CLK.5	I2CLK.4	I2CLK.3	I2CLK.2	I2CLK.1	I2CLK.0

Mnemonic: I2CLK

Address: EEh

BIT	NAME	FUNCTION
7-0	I2CLK	I2C clock rate control.

I2C TIMER COUNTER REGISTER

Bit:	7	6	5	4	3	2	1	0
	-	-	-	-	-	ENTI	DIV4	TIF

Mnemonic: I2TIMER

Address: EFh

BIT	NAME	FUNCTION
7-3	-	Reserved.
2	ENTI	Enable I2C 14-bits Time-out Counter. Setting ENTI to logic high will firstly reset the time-out counter and then start up counting. Clearing ENTI disables the 14-bit time-out counter. ENTI can be set to logic high only when SI=0.
1	DIV4	I2C Time-out Counter Clock Frequency Selection. 0 = the clock frequency is coherent to the system clock Fosc. 1 = the clock frequency is Fosc/4.
0	TIF	I2C Time-out Flag. When the time-out counter overflows hardware will set this flag and request the I2C interrupt if I2C interrupt is enabled (EI2C=1). This bit must be cleared by software.

B REGISTER

Bit:	7	6	5	4	3	2	1	0
	B.7	B.6	B.5	B.4	B.3	B.2	B.1	B.0

Mnemonic: B

Address: F0h

BIT	NAME	FUNCTION
7-0	B	The B register is the standard 8032 accumulator.

SERIAL PERIPHERAL CONTROL REGISTER

Bit:	7	6	5	4	3	2	1	0
	SSOE	SPE	LSBFE	MSTR	CPOL	CPHA	SPR1	SPR0

Mnemonic: SPSCR

Address: F3h

Preliminary W79E225A/227A Data Sheet



BIT	NAME	FUNCTION
7	SSOE	Slave Select Output Enable Bit. The \overline{SS} output feature is enabled only in master mode by asserting the SSOE bit. In slave mode (\overline{SS}) input is not affected by SSOE bit. See table below.
6	SPE	Serial Peripheral System Enable Bit. When the SPE bit is set, SPI block functions is enable. When MODF is set, SPE always reads 0. 0 = SPI system disabled. 1 = SPI system enabled.
5	LSBFE	LSB - First Enable. This bit does not affect the position of the MSB and LSB in the data register. Reads and writes of the data register always have the MSB in bit 7. In master mode, a change of this bit will abort a transmission in progress and force the SPI system into idle state. 1 = Data is transferred least significant bit first. 0 = Data is transferred most significant bit first.
4	MSTR	Master Mode Select Bit. It is customary to have an external pull-up resistor on lines that are driven by open drain devices. 0 = Slave mode. 1 = Master mode.
3	CPOL	Clock Polarity Bit. When the clock polarity bit is cleared and data is not being transferred, the SPCLK pin of the master device has a steady state low value. When CPOL is set, SPCLK idles high.
2	CPHA	Clock Polarity Bit. When the clock polarity bit is cleared and data is not being transferred, the SPCLK pin of the master device has a steady state low value. When CPOL is set, SPCLK idles high.
1-0	SPR	SPI Baud Rate Selection Bits. These bits specify the SPI baud rates.

DRSS	SSOE	MASTER MODE	SLAVE MODE
0	0	\overline{SS} input (With Mode Fault)	\overline{SS} Input (Not affected by SSOE)
0	1	Reserved	\overline{SS} Input (Not affected by SSOE)
1	0	\overline{SS} General purpose I/O (No Mode Fault)	\overline{SS} Input (Not affected by SSOE)
1	1	\overline{SS} output (No Mode Fault)	\overline{SS} Input (Not affected by SSOE)

Note: In master mode, a change of LSBFE, MSTR, CPOL, CPHA and SPR [1:0] will abort a transmission in progress and force the SPI system into idle state.

SERIAL PERIPHERAL STATUS REGISTER

Bit:	7	6	5	4	3	2	1	0
	SPIF	WCOL	SPIOVF	MODF	DRSS	-	-	-

Mnemonic: SPSR

Address: F4h

Publication Release Date: December 14, 2007

Preliminary W79E225A/227A Data Sheet



BIT	NAME	FUNCTION
7	SPIF	SPI Interrupt Complete Flag. SPIF is set upon completion of data transfer between this device and external device or when new data has been received and copied to the SPDR. If SPIF goes high, and if ESPI is set, a serial peripheral interrupt is generated. When SPIF is set; it must be clear by software and attempts to write SPDR are inhibited if SPIF set.
6	WCOL	Write Collision Flag. If a writer collision occurs on SPI bus, WCOL is set to high by hardware. WCOL must be clear by software.
5	SPIOVF	SPI overrun flag. SPIOVF is set if a new character is received before a previously received character is read from SPDR. Once this bit is set it will prevent SPDR register from accepting new data and must be cleared first before any new data can be written. This flag is clear by software. 0 = No overrun. 1 = Overrun detected.
4	MODF	SPI Mode Error Interrupt Status Flag. MODF is set when hardware detects mode fault. This bit is cleared by software.
3	DRSS	Data Register Slave Select. Refer to above table in SPCR register.
2-0	-	Reserved.

Note: Bits WCOL, MODF and SPIF are cleared by software writing "0" to them.

SERIAL PERIPHERAL DATA I/O REGISTER

Bit:	7	6	5	4	3	2	1	0
	SPD.7	SPD.6	SPD.5	SPD.4	SPD.3	SPD.2	SPD.1	SPD.0

Mnemonic: SPDR

Address: F5h

BIT	NAME	FUNCTION
7-0	SPD	SPDR is used when transmitting or receiving data on serial bus. Only a write to this register initiates transmission or reception of a byte, and this only occurs in the master device. A read of the SPDR is actually a read of a buffer. To prevent an overrun and the loss of the byte that caused the overrun, the first SPIF must be cleared by the time a second transfer of data from the shift Register to the read buffer is initiated.

I2C SLAVE ADDRESS MASK ENABLE

Bit:	7	6	5	4	3	2	1	0
	I2CSADE N.7	I2CSADE N.6	I2CSADE N.5	I2CSADE N.4	I2CSADE N.3	I2CSADE N.2	I2CSADE N.1	I2CSADE N.0

Mnemonic: I2CSADEN

Address: F6h

BIT	NAME	FUNCTION
7-0	I2CSADEN	This register enables the Automatic Address Recognition feature of the I2C. When a bit in the I2CSADEN is set to 1, the same bit location in I2CSADDR1 will be compared with the incoming serial port data. When I2CSADEN.n is 0, the bit becomes don't care in the comparison. This register enables the Automatic Address Recognition feature of the I2C. When all the bits of I2CSADEN are 0, interrupt will occur for any incoming address. The default value is 0xFE.

Preliminary W79E225A/227A Data Sheet



EXTENDED INTERRUPT HIGH PRIORITY

Bit:	7	6	5	4	3	2	1	0
	PS1H	PX5H	PX4H	PWDIH	PX3H	PX2H	-	PI2CH

Mnemonic: EIPH

Address: F7h

BIT	NAME	FUNCTION
7	PS1H	Serial Port 1 Interrupt High Priority. PS1H = 1 sets it to highest priority level.
6	PX5H	External Interrupt 5 High Priority. PX5H = 1 sets it to highest priority level.
5	PX4H	External Interrupt 4 High Priority. PX4H = 1 sets it to highest priority level.
4	PWDIH	Watchdog Timer Interrupt High Priority. PWDIH = 1 sets it to highest priority level.
3	PX3H	External Interrupt 3 High Priority. PX3H = 1 sets it to highest priority level.
2	PX2H	External Interrupt 2 High Priority. PX2H = 1 sets it to highest priority level.
1	-	Reserved.
0	PI2CH	I2C Interrupt High Priority. PI2CH = 1 sets it to highest priority level.

EXTENDED INTERRUPT PRIORITY

Bit:	7	6	5	4	3	2	1	0
	PS1	PX5	PX4	PWDI	PX3	PX2	-	PI2C

Mnemonic: EIP

Address: F8h

BIT	NAME	FUNCTION
7	PS1	Serial Port 1 Interrupt Priority.
6	PX5	External Interrupt 5 Priority.
5	PX4	External Interrupt 4 Priority.
4	PWDI	Watchdog Timer Interrupt Priority.
3	PX3	External Interrupt 3 Priority.
2	PX2	External Interrupt 2 Priority.
1	-	Reserved.
0	PI2C	I2C Interrupt Priority.

EXTENDED INTERRUPT ENABLE 1

Bit:	7	6	5	4	3	2	1	0
	-	-	ENVM	ECPTF	ET3	EBK	EPWM	ESPI

Mnemonic: EIE1

Address: F9h

勝特力材料 886-3-5753170
 勝特力电子(上海) 86-21-34970699
 勝特力电子(深圳) 86-755-83298787
[Http://www.100y.com.tw](http://www.100y.com.tw)

Publication Release Date: December 14, 2007

Revision A2.0

Preliminary W79E225A/227A Data Sheet



BIT	NAME	FUNCTION
7-6	-	Reserved.
5	ENVM	NVM Interrupt Enable Bit. 0 = Disable NVM interrupt. 1 = Enable NVM interrupt.
4	ECPTF	Capture Interrupt Enable Bit. 0 = Disable External capture/reload interrupt. 1 = Enable External capture/reload interrupt.
3	ET3	Timer 3 Interrupt Enable Bit. 0 = Disable Timer 3 Interrupt. 1 = Enable Timer 3 Interrupt.
2	EBK	Brake Interrupt Enable Bit. 0 = Brake interrupt disable. 1 = Brake interrupt enable.
1	EPWM	PWM Period Interrupt Enable Bit. 0 = PWM period system interrupts disabled. 1 = PWM period system interrupts enabled.
0	ESPI	Serial Peripheral Interrupt Enable Bit. Set the ESPI bit to 1 to request a hardware interrupt sequence each time the SPIF/MODF status flag is set. 0 = SPI system interrupts disabled. 1 = SPI system interrupts enabled.

EXTENDED INTERRUPT PRIORITY 1

Bit:	7	6	5	4	3	2	1	0
	-	-	PNVMI	PCPTF	PT3	PBKF	PPWMF	PSPI

Mnemonic: EIP1

Address: FAh

BIT	NAME	FUNCTION
7-6	-	Reserved.
5	PNVMI	NVM interrupt Priority
4	PCPTF	Capture/reload Interrupt Priority.
3	PT3	Timer 3 Interrupt Priority.
2	PBKF	PWM Brake Interrupt Priority.
1	PPWMF	PWM period Interrupt Priority.
0	PSPI	SPI Interrupt Priority.

INPUT CAPTURE 0/PULSE READ COUNTER LOW REGISTER

Bit:	7	6	5	4	3	2	1	0
	CCL0.7/ PCNTL.7	CCL0.6/ PCNTL.6	CCL0.5/ PCNTL.5	CCL0.4/ PCNTL.4	CCL0.3/ PCNTL.3	CCL0.2/ PCNTL.2	CCL0.1/ PCNTL.1	CCL0.0/ PCNTL.0

Mnemonic: CCL0/PCNTL

Address: FBh

Publication Release Date: December 14, 2007

Preliminary W79E225A/227A Data Sheet



PCNTL must be read first before reading at PCNTH as reading PCNTL will latch the PLSCNTH automatically into PCNTH; otherwise inaccurate result is read when reading PCNTH first as it will not latch the PLSCNTL data into PCNTL.

INPUT CAPTURE 0/PULSE READ COUNTER HIGH REGISTER

Bit:	7	6	5	4	3	2	1	0
	CCH0.7/ PCNTH.7	CCH0.6/ PCNTH.6	CCH0.5/ PCNTH.5	CCH0.4/ PCNTH.4	CCH0.3/ PCNTH.3	CCH0.2/ PCNTH.2	CCH0.1/ PCNTH.1	CCH0.0/ PCNTH.0

Mnemonic: CCH0/PCNTH

Address: FCh

PCNTL must be read first before reading at PCNTH as reading PCNTL will latch the PLSCNTH automatically into PCNTH.

INPUT CAPTURE 1/PULSE COUNTER LOW REGISTER

Bit:	7	6	5	4	3	2	1	0
	CCL1.7/ PLSCNT L.7	CCL1.6/ PLSCNT L.6	CCL1.5/ PLSCNT L.5	CCL1.4/ PLSCNT L.4	CCL1.3/ PLSCNT L.3	CCL1.2/ PLSCNT L.2	CCL1.1/ PLSCNT L.1	CCL1.0/ PLSCNT L.0

Mnemonic: CCL1/PLSCNTL

Address: FDh

INPUT CAPTURE 1/PULSE COUNTER HIGH REGISTER

Bit:	7	6	5	4	3	2	1	0
	CCH1.7/ PLSCNT H.7	CCH1.6/ PLSCNT H.6	CCH1.5/ PLSCNT H.5	CCH1.4/ PLSCNT H.4	CCH1.3/ PLSCNT H.3	CCH1.2/ PLSCNT H.2	CCH1.1/ PLSCNT H.1	CCH1.0/ PLSCNT H.0

Mnemonic: CCH1/PLSCNTH

Address: FEh

INTERRUPT CONTROL

Bit:	7	6	5	4	3	2	1	0
	-	-	INT5CT1	INT5CT0	INT4CT1	INT4CT0	INT3CT1	INT3CT0

Mnemonic: INTCTRL

Address: FFh

Preliminary W79E225A/227A Data Sheet



BIT	NAME	FUNCTION															
7-6	-	Reserved.															
5-4	INT5CT	Interrupt 5 edge select:															
		<table border="1"> <thead> <tr> <th>INT5CT1</th> <th>INT5CT0</th> <th>Description</th> </tr> </thead> <tbody> <tr> <td>0</td> <td>0</td> <td>Rising edge trigger.</td> </tr> <tr> <td>0</td> <td>1</td> <td>Falling edge trigger.</td> </tr> <tr> <td>1</td> <td>0</td> <td>Rising and falling edge trigger.</td> </tr> <tr> <td>1</td> <td>1</td> <td>Reserved.</td> </tr> </tbody> </table>	INT5CT1	INT5CT0	Description	0	0	Rising edge trigger.	0	1	Falling edge trigger.	1	0	Rising and falling edge trigger.	1	1	Reserved.
		INT5CT1	INT5CT0	Description													
		0	0	Rising edge trigger.													
		0	1	Falling edge trigger.													
1	0	Rising and falling edge trigger.															
1	1	Reserved.															
3-2	INT4CT	Interrupt 4 edge select:															
		<table border="1"> <thead> <tr> <th>INT4CT1</th> <th>INT4CT0</th> <th>Description</th> </tr> </thead> <tbody> <tr> <td>0</td> <td>0</td> <td>Rising edge trigger.</td> </tr> <tr> <td>0</td> <td>1</td> <td>Falling edge trigger.</td> </tr> <tr> <td>1</td> <td>0</td> <td>Rising and falling edge trigger.</td> </tr> <tr> <td>1</td> <td>1</td> <td>Reserved.</td> </tr> </tbody> </table>	INT4CT1	INT4CT0	Description	0	0	Rising edge trigger.	0	1	Falling edge trigger.	1	0	Rising and falling edge trigger.	1	1	Reserved.
		INT4CT1	INT4CT0	Description													
		0	0	Rising edge trigger.													
		0	1	Falling edge trigger.													
1	0	Rising and falling edge trigger.															
1	1	Reserved.															
1-0	INT3CT	Interrupt 3 edge select:															
		<table border="1"> <thead> <tr> <th>INT3CT1</th> <th>INT3CT0</th> <th>Description</th> </tr> </thead> <tbody> <tr> <td>0</td> <td>0</td> <td>Rising edge trigger.</td> </tr> <tr> <td>0</td> <td>1</td> <td>Falling edge trigger.</td> </tr> <tr> <td>1</td> <td>0</td> <td>Rising and falling edge trigger.</td> </tr> <tr> <td>1</td> <td>1</td> <td>Reserved.</td> </tr> </tbody> </table>	INT3CT1	INT3CT0	Description	0	0	Rising edge trigger.	0	1	Falling edge trigger.	1	0	Rising and falling edge trigger.	1	1	Reserved.
		INT3CT1	INT3CT0	Description													
		0	0	Rising edge trigger.													
		0	1	Falling edge trigger.													
1	0	Rising and falling edge trigger.															
1	1	Reserved.															

Preliminary W79E225A/227A Data Sheet



8. INSTRUCTION SET

The W79E225/227 executes all the instructions of the standard 8051/52 family. The operations of these instructions, as well as their effects on flag and status bits, are exactly the same. However, the timing of these instructions is different in two ways. Firstly, the W79E225/227 machine cycle is four clock periods, while the standard-8051/52 machine cycle is twelve clock periods. Secondly, the W79E225/227 can fetch only once per machine cycle (i.e., four clocks per fetch), while the standard 8051/52 can fetch twice per machine cycle (i.e., six clocks per fetch).

The timing differences create an advantage for the W79E225/227. There is only one fetch per machine cycle, so the number of machine cycles is usually equal to the number of operands in the instruction. (Jumps and calls do require an additional cycle to calculate the new address.) As a result, the W79E225/227 reduces the number of dummy fetches and wasted cycles, and therefore improves overall efficiency, compared to the standard 8051/52.

OP-CODE	HEX CODE	BYTES	W79E225/227 MACHINE CYCLE	W79E225/227 CLOCK CYCLES	8032 CLOCK CYCLES	W79E225/227 VS. 8032 SPEED RATIO
NOP	00	1	1	4	12	3
ADD A, R0	28	1	1	4	12	3
ADD A, R1	29	1	1	4	12	3
ADD A, R2	2A	1	1	4	12	3
ADD A, R3	2B	1	1	4	12	3
ADD A, R4	2C	1	1	4	12	3
ADD A, R5	2D	1	1	4	12	3
ADD A, R6	2E	1	1	4	12	3
ADD A, R7	2F	1	1	4	12	3
ADD A, @R0	26	1	1	4	12	3
ADD A, @R1	27	1	1	4	12	3
ADD A, direct	25	2	2	8	12	1.5
ADD A, #data	24	2	2	8	12	1.5
ADDC A, R0	38	1	1	4	12	3
ADDC A, R1	39	1	1	4	12	3
ADDC A, R2	3A	1	1	4	12	3
ADDC A, R3	3B	1	1	4	12	3
ADDC A, R4	3C	1	1	4	12	3
ADDC A, R5	3D	1	1	4	12	3
ADDC A, R6	3E	1	1	4	12	3
ADDC A, R7	3F	1	1	4	12	3
ADDC A, @R0	36	1	1	4	12	3
ADDC A, @R1	37	1	1	4	12	3
ADDC A, direct	35	2	2	8	12	1.5

Preliminary W79E225A/227A Data Sheet



Continued

OP-CODE	HEX CODE	BYTES	W79E225/227 MACHINE CYCLE	W79E225/227 CLOCK CYCLES	8032 CLOCK CYCLES	W79E225/227 VS. 8032 SPEED RATIO
ADDC A, #data	34	2	2	8	12	1.5
SUBB A, R0	98	1	1	4	12	3
SUBB A, R1	99	1	1	4	12	3
SUBB A, R2	9A	1	1	4	12	3
SUBB A, R3	9B	1	1	4	12	3
SUBB A, R4	9C	1	1	4	12	3
SUBB A, R5	9D	1	1	4	12	3
SUBB A, R6	9E	1	1	4	12	3
SUBB A, R7	9F	1	1	4	12	3
SUBB A, @R0	96	1	1	4	12	3
SUBB A, @R1	97	1	1	4	12	3
SUBB A, direct	95	2	2	8	12	1.5
SUBB A, #data	94	2	2	8	12	1.5
INC A	04	1	1	4	12	3
INC R0	08	1	1	4	12	3
INC R1	09	1	1	4	12	3
INC R2	0A	1	1	4	12	3
INC R3	0B	1	1	4	12	3
INC R4	0C	1	1	4	12	3
INC R5	0D	1	1	4	12	3
INC R6	0E	1	1	4	12	3
INC R7	0F	1	1	4	12	3
INC @R0	06	1	1	4	12	3
INC @R1	07	1	1	4	12	3
INC direct	05	2	2	8	12	1.5
INC DPTR	A3	1	2	8	24	3
DEC A	14	1	1	4	12	3
DEC R0	18	1	1	4	12	3
DEC R1	19	1	1	4	12	3
DEC R2	1A	1	1	4	12	3
DEC R3	1B	1	1	4	12	3
DEC R4	1C	1	1	4	12	3
DEC R5	1D	1	1	4	12	3

Preliminary W79E225A/227A Data Sheet



Continued

OP-CODE	HEX CODE	BYTES	W79E225/227 MACHINE CYCLE	W79E225/227 CLOCK CYCLES	8032 CLOCK CYCLES	W79E225/227 VS. 8032 SPEED RATIO
DEC R6	1E	1	1	4	12	3
DEC R7	1F	1	1	4	12	3
DEC @R0	16	1	1	4	12	3
DEC @R1	17	1	1	4	12	3
DEC direct	15	2	2	8	12	1.5
MUL AB	A4	1	5	20	48	2.4
DIV AB	84	1	5	20	48	2.4
DA A	D4	1	1	4	12	3
ANL A, R0	58	1	1	4	12	3
ANL A, R1	59	1	1	4	12	3
ANL A, R2	5A	1	1	4	12	3
ANL A, R3	5B	1	1	4	12	3
ANL A, R4	5C	1	1	4	12	3
ANL A, R5	5D	1	1	4	12	3
ANL A, R6	5E	1	1	4	12	3
ANL A, R7	5F	1	1	4	12	3
ANL A, @R0	56	1	1	4	12	3
ANL A, @R1	57	1	1	4	12	3
ANL A, direct	55	2	2	8	12	1.5
ANL A, #data	54	2	2	8	12	1.5
ANL direct, A	52	2	2	8	12	1.5
ANL direct, #data	53	3	3	12	24	2
ORL A, R0	48	1	1	4	12	3
ORL A, R1	49	1	1	4	12	3
ORL A, R2	4A	1	1	4	12	3
ORL A, R3	4B	1	1	4	12	3
ORL A, R4	4C	1	1	4	12	3
ORL A, R5	4D	1	1	4	12	3
ORL A, R6	4E	1	1	4	12	3
ORL A, R7	4F	1	1	4	12	3
ORL A, @R0	46	1	1	4	12	3
ORL A, @R1	47	1	1	4	12	3
ORL A, direct	45	2	2	8	12	1.5
ORL A, #data	44	2	2	8	12	1.5

Preliminary W79E225A/227A Data Sheet



Continued

OP-CODE	HEX CODE	BYTES	W79E225/227 MACHINE CYCLE	W79E225/227 CLOCK CYCLES	8032 CLOCK CYCLES	W79E225/227 VS. 8032 SPEED RATIO
ORL direct, A	42	2	2	8	12	1.5
ORL direct, #data	43	3	3	12	24	2
XRL A, R0	68	1	1	4	12	3
XRL A, R1	69	1	1	4	12	3
XRL A, R2	6A	1	1	4	12	3
XRL A, R3	6B	1	1	4	12	3
XRL A, R4	6C	1	1	4	12	3
XRL A, R5	6D	1	1	4	12	3
XRL A, R6	6E	1	1	4	12	3
XRL A, R7	6F	1	1	4	12	3
XRL A, @R0	66	1	1	4	12	3
XRL A, @R1	67	1	1	4	12	3
XRL A, direct	65	2	2	8	12	1.5
XRL A, #data	64	2	2	8	12	1.5
XRL direct, A	62	2	2	8	12	1.5
XRL direct, #data	63	3	3	12	24	2
CLR A	E4	1	1	4	12	3
CPL A	F4	1	1	4	12	3
RL A	23	1	1	4	12	3
RLC A	33	1	1	4	12	3
RR A	03	1	1	4	12	3
RRC A	13	1	1	4	12	3
SWAP A	C4	1	1	4	12	3
MOV A, R0	E8	1	1	4	12	3
MOV A, R1	E9	1	1	4	12	3
MOV A, R2	EA	1	1	4	12	3
MOV A, R3	EB	1	1	4	12	3
MOV A, R4	EC	1	1	4	12	3
MOV A, R5	ED	1	1	4	12	3
MOV A, R6	EE	1	1	4	12	3
MOV A, R7	EF	1	1	4	12	3
MOV A, @R0	E6	1	1	4	12	3
MOV A, @R1	E7	1	1	4	12	3

Preliminary W79E225A/227A Data Sheet



Continued

OP-CODE	HEX CODE	BYTES	W79E225/227 MACHINE CYCLE	W79E225/227 CLOCK CYCLES	8032 CLOCK CYCLES	W79E225/227 VS. 8032 SPEED RATIO
MOV A, direct	E5	2	2	8	12	1.5
MOV A, #data	74	2	2	8	12	1.5
MOV R0, A	F8	1	1	4	12	3
MOV R1, A	F9	1	1	4	12	3
MOV R2, A	FA	1	1	4	12	3
MOV R3, A	FB	1	1	4	12	3
MOV R4, A	FC	1	1	4	12	3
MOV R5, A	FD	1	1	4	12	3
MOV R6, A	FE	1	1	4	12	3
MOV R7, A	FF	1	1	4	12	3
MOV R0, direct	A8	2	2	8	12	1.5
MOV R1, direct	A9	2	2	8	12	1.5
MOV R2, direct	AA	2	2	8	12	1.5
MOV R3, direct	AB	2	2	8	12	1.5
MOV R4, direct	AC	2	2	8	12	1.5
MOV R5, direct	AD	2	2	8	12	1.5
MOV R6, direct	AE	2	2	8	12	1.5
MOV R7, direct	AF	2	2	8	12	1.5
MOV R0, #data	78	2	2	8	12	1.5
MOV R1, #data	79	2	2	8	12	1.5
MOV R2, #data	7A	2	2	8	12	1.5
MOV R3, #data	7B	2	2	8	12	1.5
MOV R4, #data	7C	2	2	8	12	1.5
MOV R5, #data	7D	2	2	8	12	1.5
MOV R6, #data	7E	2	2	8	12	1.5
MOV R7, #data	7F	2	2	8	12	1.5
MOV @R0, A	F6	1	1	4	12	3
MOV @R1, A	F7	1	1	4	12	3
MOV @R0, direct	A6	2	2	8	12	1.5
MOV @R1, direct	A7	2	2	8	12	1.5
MOV @R0, #data	76	2	2	8	12	1.5
MOV @R1, #data	77	2	2	8	12	1.5
MOV direct, A	F5	2	2	8	12	1.5
MOV direct, R0	88	2	2	8	12	1.5

Preliminary W79E225A/227A Data Sheet



Continued

OP-CODE	HEX CODE	BYTES	W79E225/227 MACHINE CYCLE	W79E225/227 CLOCK CYCLES	8032 CLOCK CYCLES	W79E225/227 VS. 8032 SPEED RATIO
MOV direct, R1	89	2	2	8	12	1.5
MOV direct, R2	8A	2	2	8	12	1.5
MOV direct, R3	8B	2	2	8	12	1.5
MOV direct, R4	8C	2	2	8	12	1.5
MOV direct, R5	8D	2	2	8	12	1.5
MOV direct, R6	8E	2	2	8	12	1.5
MOV direct, R7	8F	2	2	8	12	1.5
MOV direct, @R0	86	2	2	8	12	1.5
MOV direct, @R1	87	2	2	8	12	1.5
MOV direct, direct	85	3	3	12	24	2
MOV direct, #data	75	3	3	12	24	2
MOV DPTR, #data 16	90	3	3	12	24	2
MOVC A, @A+DPTR	93	1	2	8	24	3
MOVC A, @A+PC	83	1	2	8	24	3
MOVX A, @R0	E2	1	2 - 9	8 - 36	24	3 - 0.66
MOVX A, @R1	E3	1	2 - 9	8 - 36	24	3 - 0.66
MOVX A, @DPTR	E0	1	2 - 9	8 - 36	24	3 - 0.66
MOVX @R0, A	F2	1	2 - 9	8 - 36	24	3 - 0.66
MOVX @R1, A	F3	1	2 - 9	8 - 36	24	3 - 0.66
MOVX @DPTR, A	F0	1	2 - 9	8 - 36	24	3 - 0.66
PUSH direct	C0	2	2	8	24	3
POP direct	D0	2	2	8	24	3
XCH A, R0	C8	1	1	4	12	3
XCH A, R1	C9	1	1	4	12	3
XCH A, R2	CA	1	1	4	12	3
XCH A, R3	CB	1	1	4	12	3
XCH A, R4	CC	1	1	4	12	3
XCH A, R5	CD	1	1	4	12	3
XCH A, R6	CE	1	1	4	12	3
XCH A, R7	CF	1	1	4	12	3
XCH A, @R0	C6	1	1	4	12	3

Preliminary W79E225A/227A Data Sheet



Continued

OP-CODE	HEX CODE	BYTES	W79E225/227 MACHINE CYCLE	W79E225/227 CLOCK CYCLES	8032 CLOCK CYCLES	W79E225/227 VS. 8032 SPEED RATIO
XCH A, @R1	C7	1	1	4	12	3
XCHD A, @R0	D6	1	1	4	12	3
XCHD A, @R1	D7	1	1	4	12	3
XCH A, direct	C5	2	2	8	12	1.5
CLR C	C3	1	1	4	12	3
CLR bit	C2	2	2	8	12	1.5
SETB C	D3	1	1	4	12	3
SETB bit	D2	2	2	8	12	1.5
CPL C	B3	1	1	4	12	3
CPL bit	B2	2	2	8	12	1.5
ANL C, bit	82	2	2	8	24	3
ANL C, /bit	B0	2	2	6	24	3
ORL C, bit	72	2	2	8	24	3
ORL C, /bit	A0	2	2	6	24	3
MOV C, bit	A2	2	2	8	12	1.5
MOV bit, C	92	2	2	8	24	3
ACALL addr11	71, 91, B1, 11, 31, 51, D1, F1	2	3	12	24	2
LCALL addr16	12	3	4	16	24	1.5
RET	22	1	2	8	24	3
RETI	32	1	2	8	24	3
AJMP ADDR11	01, 21, 41, 61, 81, A1, C1, E1	2	3	12	24	2
LJMP addr16	02	3	4	16	24	1.5
JMP @A+DPTR	73	1	2	6	24	3
SJMP rel	80	2	3	12	24	2
JZ rel	60	2	3	12	24	2
JNZ rel	70	2	3	12	24	2
JC rel	40	2	3	12	24	2
JNC rel	50	2	3	12	24	2
JB bit, rel	20	3	4	16	24	1.5
JNB bit, rel	30	3	4	16	24	1.5

勝特力材料 886-3-5753170
 勝特力电子(上海) 86-21-34970699
 勝特力电子(深圳) 86-755-83298787
[Http://www.100y.com.tw](http://www.100y.com.tw)

Publication Release Date: December 14, 2007

Preliminary W79E225A/227A Data Sheet



Continued

OP-CODE	HEX CODE	BYTES	W79E225/227 7 MACHINE CYCLE	W79E225/227 CLOCK CYCLES	8032 CLOCK CYCLES	W79E225/227 VS. 8032 SPEED RATIO
JBC bit, rel	10	3	4	16	24	1.5
CJNE A, direct, rel	B5	3	4	16	24	1.5
CJNE A, #data, rel	B4	3	4	16	24	1.5
CJNE @R0, #data, rel	B6	3	4	16	24	1.5
CJNE @R1, #data, rel	B7	3	4	16	24	1.5
CJNE R0, #data, rel	B8	3	4	16	24	1.5
CJNE R1, #data, rel	B9	3	4	16	24	1.5
CJNE R2, #data, rel	BA	3	4	16	24	1.5
CJNE R3, #data, rel	BB	3	4	16	24	1.5
CJNE R4, #data, rel	BC	3	4	16	24	1.5
CJNE R5, #data, rel	BD	3	4	16	24	1.5
CJNE R6, #data, rel	BE	3	4	16	24	1.5
CJNE R7, #data, rel	BF	3	4	16	24	1.5
DJNZ R0, rel	D8	2	3	12	24	2
DJNZ R1, rel	D9	2	3	12	24	2
DJNZ R5, rel	DD	2	3	12	24	2
DJNZ R2, rel	DA	2	3	12	24	2
DJNZ R3, rel	DB	2	3	12	24	2
DJNZ R4, rel	DC	2	3	12	24	2
DJNZ R6, rel	DE	2	3	12	24	2
DJNZ R7, rel	DF	2	3	12	24	2
DJNZ direct, rel	D5	3	4	16	24	1.5

Table 8-1: Instruction Set for W79E225/227

Preliminary W79E225A/227A Data Sheet



8.1 Instruction Timing

This section is important because some applications use software instructions to generate timing delays. It also provides more information about timing differences between the W79E225/227 and the standard 8051/52.

In W79E225/227, each machine cycle is four clock periods long. Each clock period is called a state, and each machine cycle consists of four states: C1, C2, C3 and C4, in order. Both clock edges are used for internal timing, so the duty cycle of the clock should be as close to 50% as possible.

The W79E225/227 does one op-code fetch per machine cycle, so, in most instructions, the number of machine cycles required is equal to the number of bytes in the instruction. There are 256 available op-codes. 128 of them are single-cycle instructions, so many op-codes are executed in just four clock periods. Some of the other op-codes are two-cycle instructions, and most of these have two-byte op-codes. However, there are some instructions that have one-byte instructions yet take two cycles to execute. One important example is the MOVX instruction.

In the standard 8051/52, the MOVX instruction is always two machine cycles long. However, in the W79E225/227, the duration of this instruction is controlled by the software. It can vary from two to nine machine cycles long, and, \overline{RD} and \overline{WR} strobe lines are elongated proportionally. This is called stretching, and it gives a lot of flexibility when accessing fast and slow peripherals. It also reduces the amount of external circuitry and software overhead.

The rest of the instructions are three-, four- or five-cycle instructions. At the end of this section, there are timing diagrams that provide an example of each type of instruction (single-cycle, two-cycle, ...).

In summary, there are five types of instructions in the W79E225/227, based on the number of machine cycles, and each machine cycle is four clock periods long. The standard 8051/52 has only three types of instructions, based on the number of machine cycles, but each machine cycle is twelve clock periods long. As a result, even though the number of categories is higher, each instruction in the W79E225/227 runs 1.5 to 3 times faster, based on the number of clock periods, than it does in the standard 8051/52.

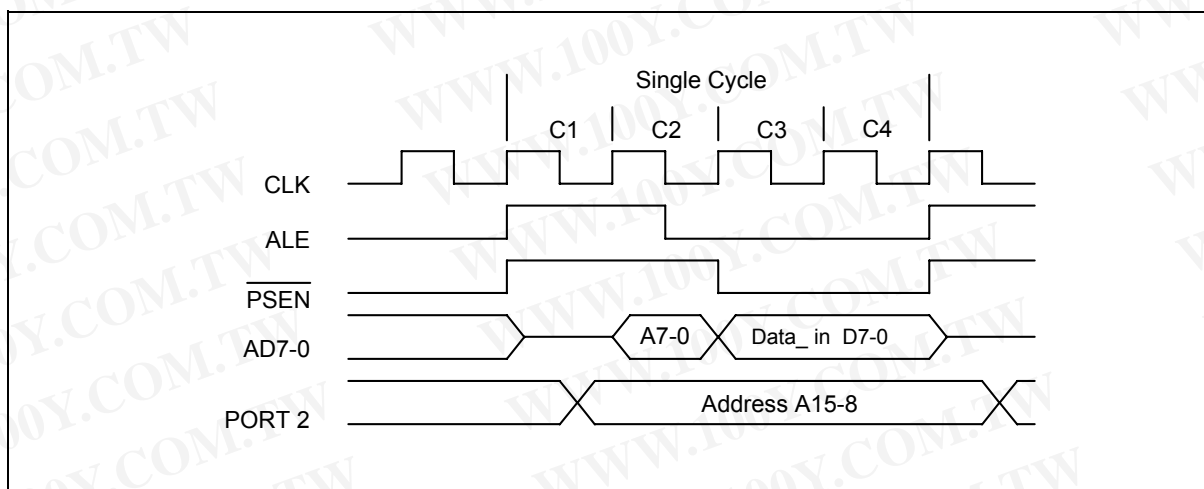


Figure 8-1: Single Cycle Instruction Timing

Preliminary W79E225A/227A Data Sheet

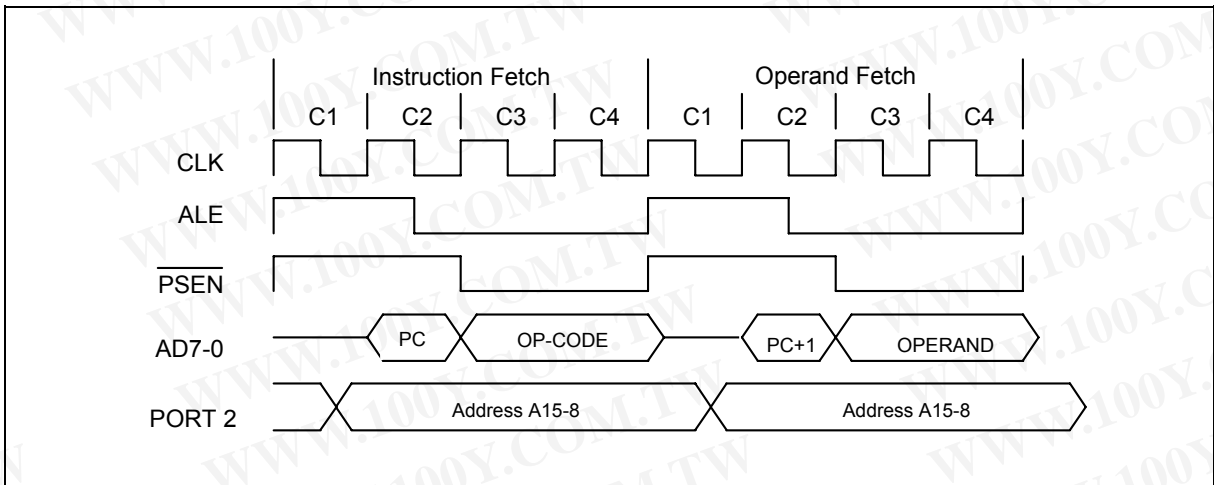


Figure 8-2: Two Cycles Instruction Timing

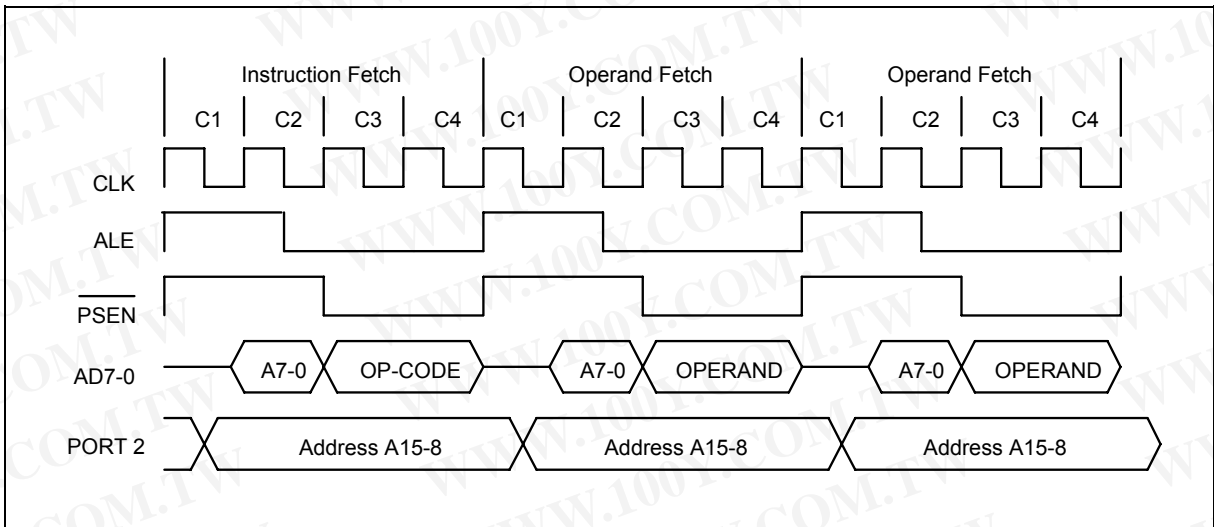


Figure 8-3: Three Cycles Instruction Timing

Preliminary W79E225A/227A Data Sheet

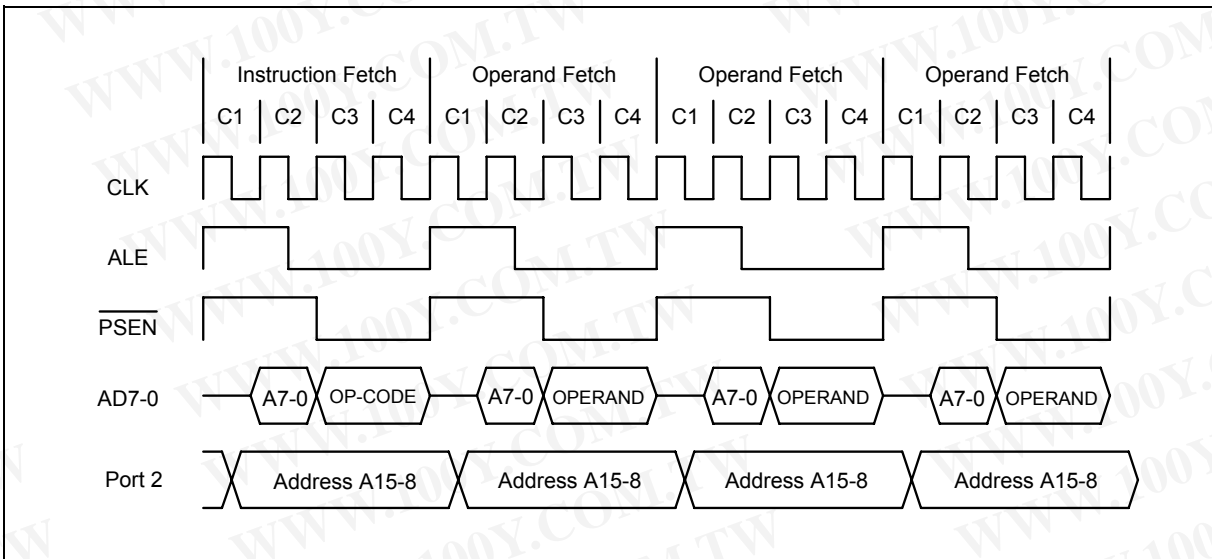


Figure 8-4: Four Cycles Instruction Timing

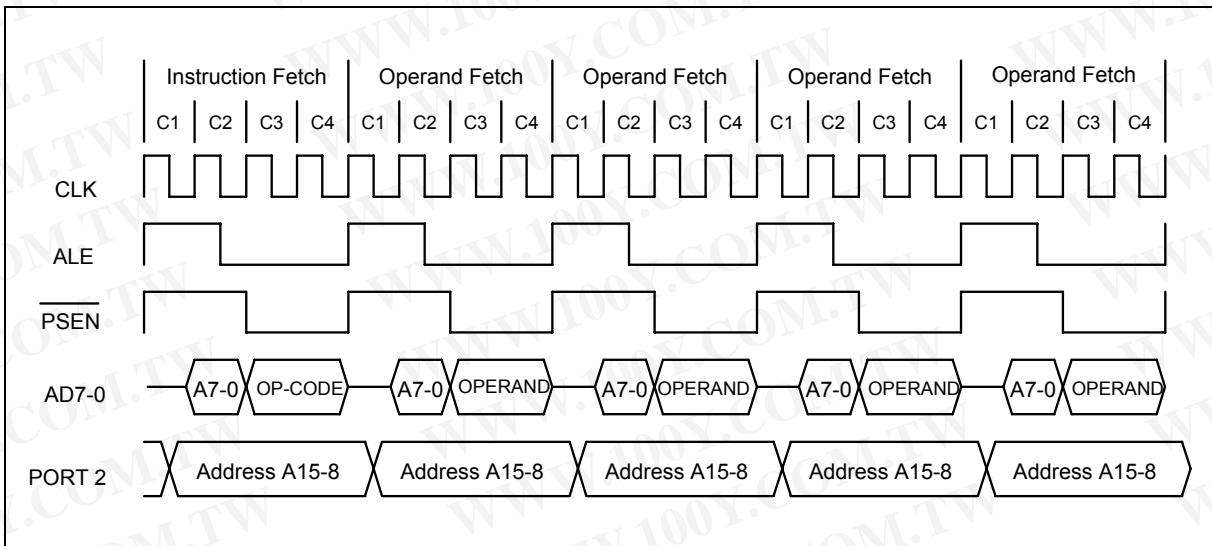


Figure 8-5: Five Cycles Instruction Timing

8.1.1 External Data Memory Access Timing

The timing for the MOVX instruction is another feature of the W79E225/227. In the standard 8051/52, the MOVX instruction has a fixed execution time of 2 machine cycles. However, in W79E225/227, the duration of the access can be controlled by the user.

The instruction starts off as a normal op-code fetch that takes four clocks. In the next machine cycle, W79E225/227 puts out the external memory address, and the actual access occurs. The user can control the duration of this access by setting the stretch value in CKCON, bits 2 – 0. As shown in the table below, these three bits can range from zero to seven, resulting in MOVX instructions that take two to nine machine cycles. The default value is one, resulting in a MOVX instruction of three machine cycles.

Preliminary W79E225A/227A Data Sheet



Stretching only affects the MOVX instruction. There is no effect on any other instruction or its timing; it is as if the state of the CPU is held for the desired period. The timing waveforms when the stretch value is zero, one, and two are shown below.

M2	M1	M0	MACHINE CYCLES	\overline{RD} OR \overline{WR} STROBE WIDTH IN CLOCKS	\overline{RD} OR \overline{WR} STROBE WIDTH @ 25 MHZ	\overline{RD} OR \overline{WR} STROBE WIDTH @ 40 MHZ
0	0	0	2	2	80 nS	50 nS
0	0	1	3 (default)	4	160 nS	100 nS
0	1	0	4	8	320 nS	200 nS
0	1	1	5	12	480 nS	300 nS
1	0	0	6	16	640 nS	400 nS
1	0	1	7	20	800 nS	500 nS
1	1	0	8	24	960 nS	600 nS
1	1	1	9	28	1120 nS	700 nS

Table 8-2: Data Memory Cycle Stretch Values

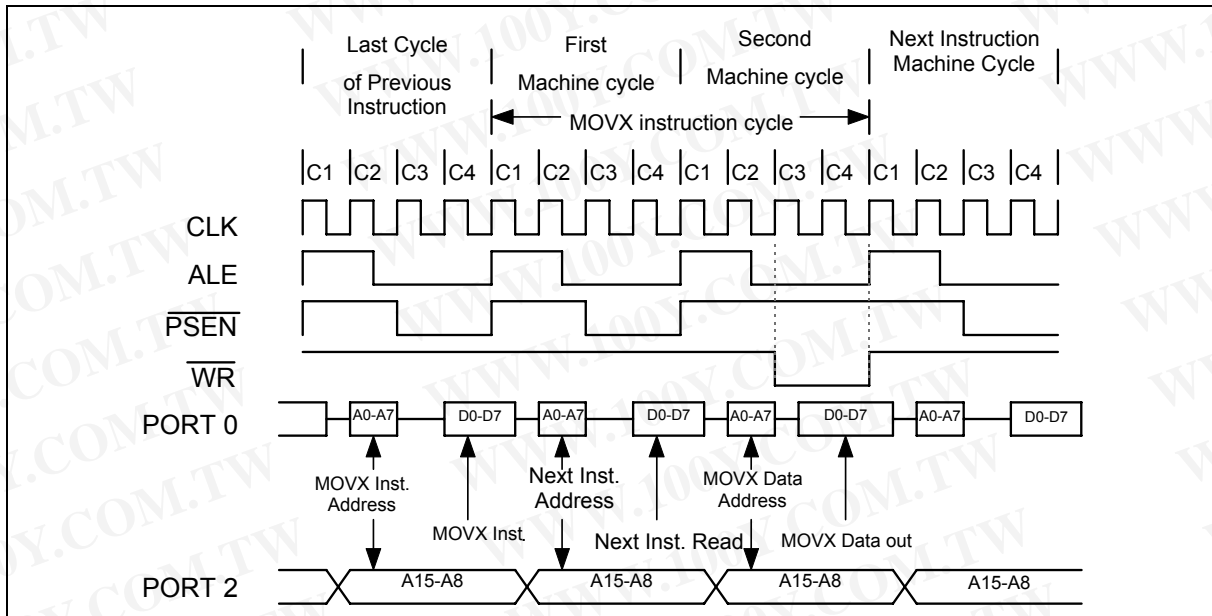


Figure 8-6: Data Memory Write with Stretch Value = 0

Preliminary W79E225A/227A Data Sheet

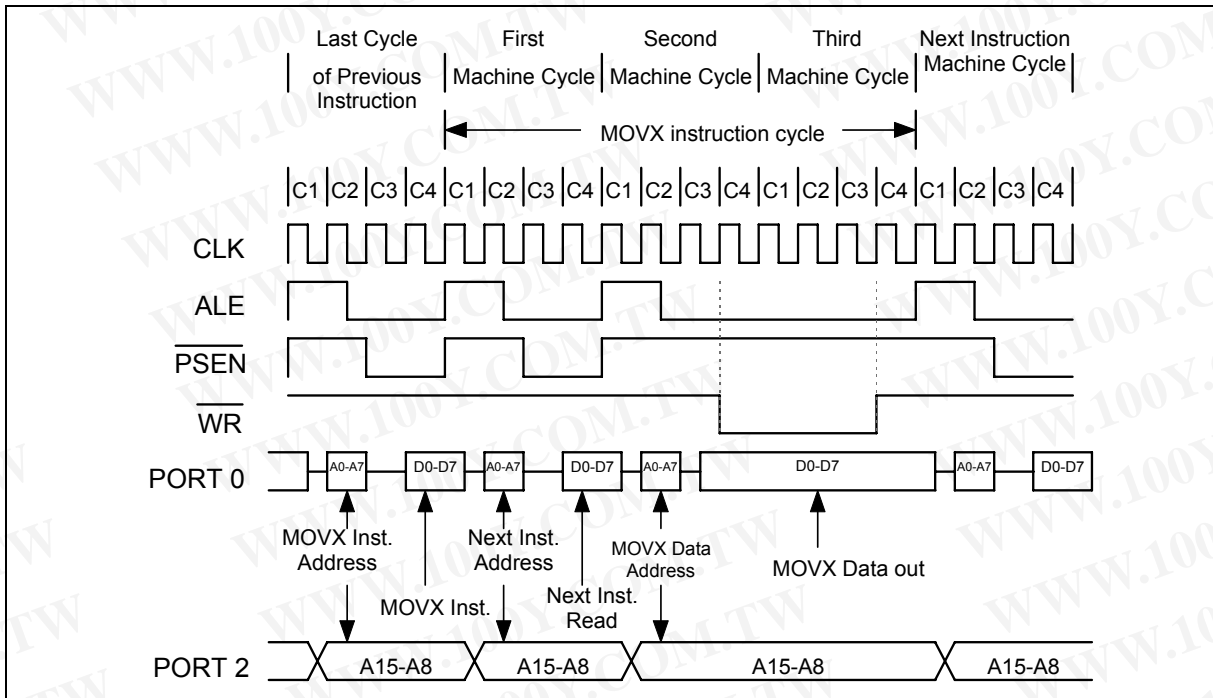


Figure 8-7: Data Memory Write with Stretch Value = 1

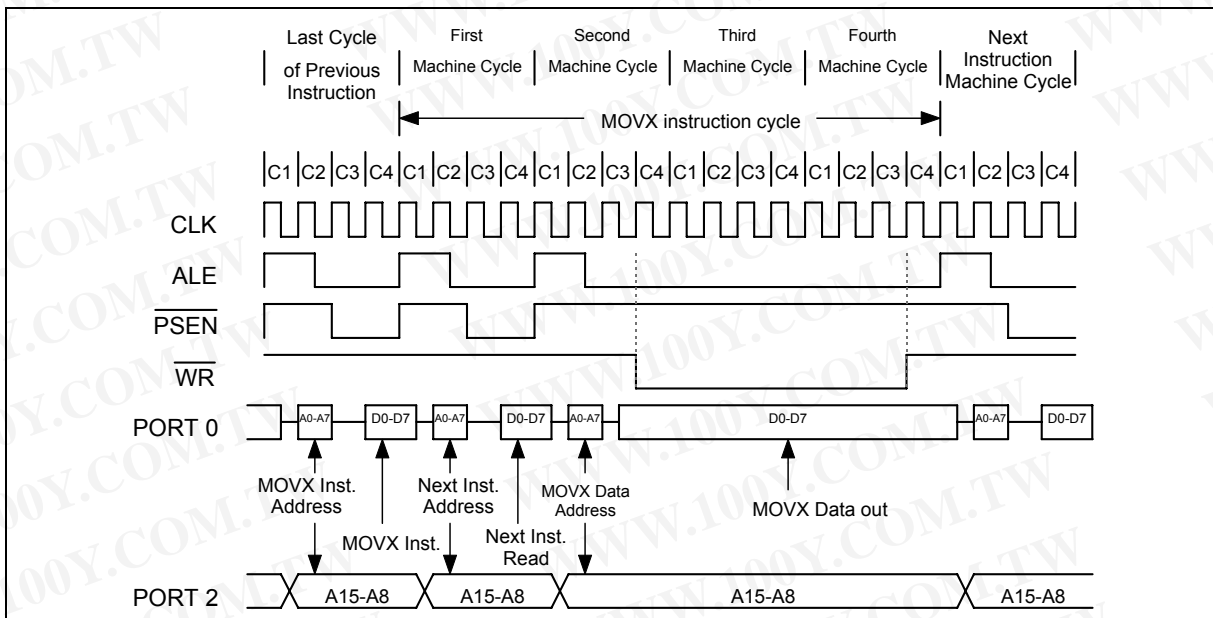


Figure 8-8: Data Memory Write with Stretch Value = 2

Preliminary W79E225A/227A Data Sheet



9. POWER MANAGEMENT

The W79E225/227 provides idle mode and power-down mode to control power consumption. These modes are discussed in the next two sections.

9.1 Idle Mode

The user can put the device into idle mode by writing 1 to the bit PCON.0. The instruction that sets the idle bit is the last instruction that will be executed before the device goes into Idle Mode. In the Idle mode, the clock to the CPU is halted, but not to the Interrupt, Timer, Watchdog timer, PWM, ADC and Serial ports blocks. This forces the CPU state to be frozen; the Program counter, the Stack Pointer, the Program Status Word, the Accumulator and the other registers hold their contents. The ALE and PSEN pins are held high during the Idle state. The port pins hold the logical states they had at the time Idle was activated. The Idle mode can be terminated in two ways. Since the interrupt controller is still active, the activation of any enabled interrupt can wake up the processor. This will automatically clear the Idle bit, terminate the Idle mode, and the Interrupt Service Routine (ISR) will be executed. After the ISR, execution of the program will continue from the instruction which put the device into Idle mode.

The Idle mode can also be exited by activating the reset. The device can be put into reset either by applying a high on the external RST pin, a Power on reset condition or a Watchdog timer reset. The external reset pin has to be held high for at least two machine cycles i.e. 8 clock periods to be recognized as a valid reset. In the reset condition the program counter is reset to 0000h and all the SFRs are set to the reset condition. Since the clock is already running there is no delay and execution starts immediately. In the Idle mode, the Watchdog timer continues to run, and if enabled, a time-out will cause a watchdog timer interrupt which will wake up the device. The software must reset the Watchdog timer in order to preempt the reset which will occur after 512 clock periods of the time-out. When the device is exiting from an Idle mode with a reset, the instruction following the one which put the device into Idle mode is not executed. So there is no danger of unexpected writes.

9.2 Power Down Mode

The device can be put into Power Down mode by writing 1 to bit PCON.1. The instruction that does this will be the last instruction to be executed before the device goes into Power Down mode. In the Power Down mode, all the clocks are stopped and the device comes to a halt. All activity is completely stopped and the power consumption is reduced to the lowest possible value. In this state the ALE and PSEN pins are pulled low (if PWDNH=0). The port pins output the values held by their respective SFRs.

The device will exit the Power Down mode with a reset or by an external interrupt pin enabled (external interrupts 0 and 1). An external reset can be used to exit the Power down state. The high on RST pin terminates the Power Down mode, and restarts the clock. The program execution will restart from 0000h. In the Power down mode, the clock is stopped, so the Watchdog timer cannot be used to provide the reset to exit Power down mode.

The device can be waken up from the Power Down mode by forcing an external interrupt pin activation, provided the corresponding interrupt is enabled, while the global enable (EA) bit is set. If these conditions are met, then either a low-level or a falling-edge at external interrupt pin will re-start the oscillator. The device will then execute the interrupt service routine for the corresponding external interrupt. After the interrupt service routine is completed, the program execution returns to the instruction after one which put the device into Power Down mode and continues from there.

Preliminary W79E225A/227A Data Sheet



MODE	PROGRAM MEMORY	ALE	PSEN	PORT0	PORT1	PORT2	PORT3	PORT4	PORT5
Idle	Internal	1	1	Data	Data	Data	Data	Data	Data
Idle	External	1	1	Float	Data	Address	Data	Data	Data
Power Down	Internal	0 ^[1] 1 ^[2]	0 ^[1] 1 ^[2]	Data	Data	Data	Data	Data	Data
Power Down	External	0 ^[1] 1 ^[2]	0 ^[1] 1 ^[2]	Float	Data	Data	Data	Data	Data

Table 9-1: Status of external pins during Idle and Power Down

Note:

1. When PWDNH=0.
2. When PWDNH=1.

Preliminary W79E225A/227A Data Sheet



10. RESET CONDITIONS

The user has several hardware related options for placing the W79E225/227 into reset condition. In general, most register bits go to their reset value irrespective of the reset condition, but there are a few flags whose state depends on the source of reset. The user can use these flags to determine the cause of reset using software. There are three ways of putting the device into reset state. They are External reset, Power-On Reset and Watchdog reset. In general, most registers return to their default values regardless of the source of the reset, but a couple flags depend on the source. As a result, the user can use these flags to determine the cause of the reset.

The rest of this section discusses the three causes of reset and then elaborates on the reset state.

10.1 Sources of reset

10.1.1 External Reset

The device samples the RST pin every machine cycle during state C4. The RST pin must be held high for at least two machine cycles before the reset circuitry applies an internal reset signal. Thus, this reset is a synchronous operation and requires the clock to be running.

The device remains in the reset state as long as RST is one and remains there up to two machine cycles after RST is deactivated. Then, the device begins program execution at 0000h. There are no flags associated with the external reset, but, since the other two reset sources do have flags, the external reset is the cause if those flags are clear.

10.1.2 Power-On Reset (POR)

If the power supply falls below V_{rst} , the device goes into the reset state. When the power supply returns to proper levels, the device performs a power-on reset and sets the POR flag. The software should clear the POR flag, or it will be difficult to determine the source of future resets.

10.1.3 Watchdog Timer Reset

The Watchdog Timer is a free-running timer with programmable time-out intervals. The program must clear the Watchdog Timer before the time-out interval is reached to restart the count. If the time-out interval is reached, an interrupt flag is set. 512 clocks later, if the Watchdog Reset is enabled and the Watchdog Timer has not been cleared, the Watchdog Timer generates a reset. The reset condition is maintained by the hardware for two machine cycles, and the WTRF bit in WDCON is set. Afterwards, the device begins program execution at 0000h.

Preliminary W79E225A/227A Data Sheet



10.2 Reset State

When the device is reset, most registers return to their initial state. The Watchdog Timer is disabled if the reset source was a power-on reset. The port registers are set to FFh, which puts most of the port pins in a high state and makes Port 0 float (as it does not have on-chip pull-up resistors). The Program Counter is set to 0000h, and the stack pointer is reset to 07h. After this, the device remains in the reset state as long as the reset conditions are satisfied.

Reset does not affect the on-chip RAM, however, so RAM is preserved as long as VDD remains above approximately 2 V, the minimum operating voltage for the RAM. If VDD falls below 2 V, the RAM contents are also lost. In either case, the stack pointer is always reset, so the stack contents are lost.

The WDCON SFR bits are set/cleared in reset condition depends on the source of the reset. The WDCON SFR is set to a 0x0x0xx0b on an external reset. WTRF is set to a 1 on a Watchdog timer reset, but to a 0 on power on/down resets. WTRF is not altered by an external reset. POR is set to 1 by a power-on reset. EWT is cleared to 0 on a Power-on reset and unaffected by other resets. All the bits in this SFR have unrestricted read access. POR, WDIF, EWT and RWT bits require Timed Access (TA) procedure to write. The remaining bits have unrestricted write accesses. Please refer TA register description. Table below lists the different reset values for WDCON due to different sources of reset.

WDCON	Watch-Dog Control	D8H	(DF) -	(DE) POR	(DD) -	(DC) -	(DB) WDIF	(DA) WTRF	(D9) EWT	(D8) RWT	x0xx 0000B External reset x0xx 0100B Watchdog reset x1xx 0000B Power on reset
-------	-------------------	-----	-----------	-------------	-----------	-----------	--------------	--------------	-------------	-------------	---

勝特力材料 886-3-5753170

勝特力电子(上海) 86-21-34970699

勝特力电子(深圳) 86-755-83298787

[Http://www.100y.com.tw](http://www.100y.com.tw)

Preliminary W79E225A/227A Data Sheet



11. INTERRUPTS

The device has a four priority level interrupt structure with 20 interrupt sources. Each of the interrupt sources has an individual priority bit, flag, interrupt vector and enable bit. In addition, all the interrupts can be globally enabled or disabled.

11.1 Interrupt Sources

The External Interrupts $\overline{INT0}$ and $\overline{INT1}$ can be either edge triggered or level triggered, depending on bits IT0 and IT1. The bits IE0 and IE1 in the TCON register are the flags which are checked to generate the interrupt. In the edge triggered mode, the INTx inputs are sampled in every machine cycle. If the sample is high in one cycle and low in the next, then a high to low transition is detected and the interrupts request flag IEx in TCON is set. The flag bit requests the interrupt. Since the external interrupts are sampled every machine cycle, they have to be held high or low for at least one complete machine cycle. The IEx flag is automatically cleared when the service routine is called. If the level triggered mode is selected, then the requesting source has to hold the pin low till the interrupt is serviced. The IEx flag will not be cleared by the hardware on entering the service routine. If the interrupt continues to be held low even after the service routine is completed, then the processor may acknowledge another interrupt request from the same source. Note that the external interrupts INT2 are edge trigger only. By default, the individual interrupt flag corresponding to external interrupt 2 to 5 must be cleared manually by software. It can be configured with hardware cleared by setting the corresponding bit HCx in T2MOD register. For instance, if HC2 is set hardware will clear IE2 flag after program enters the interrupt 2 service routine. While for INT3 to INT5 can detect the rising, falling or both edges which function are selectable by software located in INTCTRL [5:0] register. The Timer 0 and 1 Interrupts are generated by the TF0 and TF1 flags. These flags are set by the overflow in the Timer 0 and Timer 1. The TF0 and TF1 flags are automatically cleared by the hardware when the timer interrupt is serviced. The Timer 2 interrupt is generated by a logical OR of the TF2 and the EXF2 flags. These flags are set by overflow or capture/reload events in the timer 2 operation. The hardware does not clear these flags when a timer 2 interrupt is executed. Software has to resolve the cause of the interrupt between TF2 and EXF2 and clear the appropriate flag.

When ADC conversion is completed hardware will set flag ADCI to logic high to request ADC interrupt if bit EADC (IE.6) is in high state. ADCI is cleared by software only.

The I2C function can generate interrupt, if EI2C and EA bits are enabled, when SI Flag is set due to a new I2C status code is generated, SI flag is generated by hardware and must be cleared by software.

The Watchdog timer can be used as a system monitor or a simple timer. In either case, when the time-out count is reached, the Watchdog timer interrupt flag WDIF (WDCON.3) is set. If the interrupt is enabled by the enable bit EIE.4, then an interrupt will occur.

All the bits that generate interrupts can be set or reset by hardware, and thereby software initiated interrupts can be generated. Each of the individual interrupts can be enabled or disabled by setting or clearing a bit in the IE SFR. IE also has a global enable/disable bit EA, which can be cleared to disable all interrupts.

11.2 Priority Level Structure

There are four priority levels for the interrupts; highest, high, low and lowest. The other interrupt source can be individually set to either high or low levels. Naturally, a higher priority interrupt cannot be interrupted by a lower priority interrupt. However there exists a predefined hierarchy amongst the interrupts themselves. This hierarchy comes into play when the interrupt controller has to resolve simultaneous requests having the same priority level. This hierarchy is defined as shown below; the interrupts are numbered starting from the highest priority to the lowest.

Preliminary W79E225A/227A Data Sheet



SOURCE	FLAG	VECTOR ADDRESS	FLAG CLEARED BY	PRIORITY LEVEL
External Interrupt 0	IE0	0003H	Hardware, Follow the inverse of pin	1(highest)
Timer 0 Overflow	TF0	000BH	Hardware, software	2
External Interrupt 1	IE1	0013H	Hardware, Follow the inverse of pin	3
Timer 1 Overflow	TF1	001BH	Hardware, software	4
Serial Port	RI + TI	0023H	Software	5
Timer 2 Overflow	TF2 + EXF2	002BH	Software	6
A/D Converter	ADCI	0033H	Software	7
I2C Channel	I2C1 SI	003BH	Software	8
Serial Port 1	RI_1 + TI_1	007BH	Software	9
SPI interrupt	SPIF + MODF + SPIOVF	0083H	Software	10
External Interrupt 2	IE2	0043H	Hardware, software	11
External Interrupt 3	IE3	004BH	Hardware, software	12
External Interrupt 4	IE4	0053H	Hardware, software	13
External Interrupt 5	IE5	005BH	Hardware, software	14
PWM Period	PWMF	0073H	Software	15
PWM Brake	BKF	006BH	Software	16
Timer 3 Overflow	TF3	008BH	Software	17
Capture Input/Direction Interrupt/QEI	CPTF0/QEIF+ CPTF1/DIRF+ CPTF2	0093H	Software	18
NVM Interrupt	NVMF	009BH	Software	19
Watchdog Timer	WDIF	0063H	Software	20

Table 11- 1: Priority structure of interrupts

The interrupt flags are sampled every machine cycle. In the same machine cycle, the sampled interrupts are polled and their priority is resolved. If certain conditions are met, the hardware will execute an internally generated LCALL instruction which will vector the process to the appropriate interrupt vector address. The conditions for generating the LCALL are;

1. An interrupt of equal or higher priority is not currently being serviced.
2. The current polling cycle is the last machine cycle of the instruction currently being executed.
3. The current instruction does not involve a write to IE, EIE, EIE1, IP, EIP, EIP1, IPH, EIPH or EIP1H registers and is not a RETI.

Preliminary W79E225A/227A Data Sheet



If any of these conditions are not met, then the LCALL will not be generated. The polling cycle is repeated every machine cycle, with the interrupts sampled in the same machine cycle. If an interrupt flag is active in one cycle but not responded to, and is not active when the above conditions are met, the denied interrupt will not be serviced. This means that active interrupts are not remembered; every polling cycle is new.

The processor responds to a valid interrupt by executing an LCALL instruction to the appropriate service routine. This may or may not clear the flag which caused the interrupt. In case of Timer interrupts, the TF0 or TF1 flags are cleared by hardware whenever the processor vectors to the appropriate timer service routine. In case of external interrupt, INT0 and INT1, the flags are cleared only if they are edge triggered. In case of Serial interrupts, the flags are not cleared by hardware. In the case of Timer 2 interrupt, the flags are not cleared by hardware. The Watchdog timer interrupt flag WDIF has to be cleared by software. The hardware LCALL behaves exactly like the software LCALL instruction. This instruction saves the Program Counter contents onto the Stack, but does not save the Program Status Word PSW. The PC is reloaded with the vector address of that interrupt which caused the LCALL. These address of vector for the different sources are shown in Table 11- 1: Priority structure of interrupts.

PRIORITY BITS		INTERRUPT PRIORITY LEVEL
IPH/EIPH/EIP1H	IP/EIP/EIP1	
0	0	Level 0 (lowest priority)
0	1	Level 1
1	0	Level 2
1	1	Level 3 (highest priority)

Table 11- 2: Four-level interrupt priority

Each interrupt source can be individually programmed to one of four priority levels by setting or clearing bits in the IP, IPH, EIP, EIPH, EIP1 and EIP1H registers. An interrupt service routine in progress can be interrupted by a higher priority interrupt, but not by another interrupt of the same or lower priority. The highest priority interrupt service cannot be interrupted by any other interrupt source. So, if two requests of different priority levels are received simultaneously, the request of higher priority level is serviced.

If requests of the same priority level are received simultaneously, an internal polling sequence determines which request is serviced. This is called the arbitration ranking. Note that the arbitration ranking is only used to resolve simultaneous requests of the same priority level.

As below Table summarizes the interrupt sources, flag bits, vector addresses, enable bits, priority bits, arbitration ranking, and whether each interrupt may wake up the CPU from Power Down mode.

Preliminary W79E225A/227A Data Sheet



SOURCE	FLAG	VECTOR ADDRESS	INTERRUPT ENABLE BITS	INTERRUPT PRIORITY CONTROL BITS	ARBITRATION RANKING	POWER DOWN WAKEUP
External Interrupt 0	IE0	0003H	EX0 (IE.0)	IPH.0,IP.0	1(highest)	Yes
Timer 0 Overflow	TF0	000BH	ET0 (IE.1)	IPH.1,IP.1	2	No
External Interrupt 1	IE1	0013H	EX1 (IE.2)	IPH.2,IP.2	3	Yes
Timer 1 Overflow	TF1	001BH	ET1 (IE.3)	IPH.3,IP.3	4	No
Serial Port	RI + TI	0023H	ES (IE.4)	IPH.4,IP.4	5	No
Timer 2 Overflow	TF2 + EXF2	002BH	ET2 (IE.5)	IPH.5,IP.5	6	No
A/D Converter	ADCI	0033H	EADC (IE.6)	IPH.6,IP.6	7	No
I2C Channel	I2C SI	003BH	EI2C (EIE.0)	EIPH.0, EIP.0	8	No
Serial Port 1	RI_1 + TI_1	007BH	ES1 (EIE.7)	EIPH.7, EIP.7	9	No
SPI interrupt	SPIF/MODF/SPIOVF	0083H	ESPI (EIE1.0)	EIP1H.0, EIP1.0	10	No
External Interrupt 2	IE2	0043H	EX2 (EIE.2)	EIPH.2, EIP.2	11	No
External Interrupt 3	IE3	004BH	EX3 (EIE.3)	EIPH.3, EIP.3	12	No
External Interrupt 4	IE4	0053H	EX4 (EIE.5)	EIPH.5, EIP.5	13	No
External Interrupt 5	IE5	005BH	EX5 (EIE.6)	EIPH.6, EIP.6	14	No
PWM Period	PWMF	0073H	EPWM (EIE1.1)	EIP1H.1, EIP1.1	15	No
PWM Brake	BKF	006BH	EBK (EIE1.2)	EIP1H.2, EIP1.2	16	No
Timer 3 Overflow	TF3	008BH	ET3 (EIE1.3)	EIP1H.3, EIP1.3	17	No
Capture Input/Direction Interrupt/QEI	CPTF0/QEIF + CPTF1/DIRF + CPTF2	0093H	ECPTF (EIE1.4)	EIP1H.4, EIP1.4	18	No
NVM Interrupt	NVMF	009BH	ENVMI (EIE1.5)	EIP1H.5, EIP1.5	19	No
Watchdog Timer	WDIF	0063H	EWDI (EIE.4)	EIPH.4, EIP.4	20	No

Table 11- 3: Vector location for Interrupt sources and power down wakeup

Preliminary W79E225A/227A Data Sheet



11.2.1 Response Time

The response time for each interrupt source depends on several factors like nature of the interrupt and the instruction under progress. In the case of external interrupt INT0 to INT5, they are sampled at C3 of every machine cycle and then their corresponding interrupt flags IE0 and IE1 will be set or reset. Similarly, the Serial port flags RI/RI_1 and TI/TI_1 are set in C4 of last machine cycle. The Timer 0 and 1 overflow flags are set at C3 of the machine cycle in which overflow has occurred. These flag values are polled only in the next machine cycle. If a request is active and all three conditions are met, then the hardware generated LCALL is executed. This call itself takes four machine cycles to be completed. Thus there is a minimum time of five machine cycles between the interrupt flag being set and the interrupt service routine being executed.

A longer response time should be anticipated if any of the three conditions are not met. If a higher or equal priority is being serviced, then the interrupt latency time obviously depends on the nature of the service routine currently being executed. If the polling cycle is not the last machine cycle of the instruction being executed, then an additional delay is introduced. The maximum response time (if no other interrupt is in service) occurs if the device is performing a write to IE, IP, IPH, EIE, EIP, EIPH, EIE1, EIP1 or EIP1H and then executes a MUL or DIV instruction. From the time an interrupt source is activated, the longest reaction time is 12 machine cycles. This includes 1 machine cycle to detect the interrupt, 2 machine cycles to complete the IE, IP, IPH, EIE, EIP, EIPH, EIE1, EIP1 or EIP1H access, 5 machine cycles to complete the MUL or DIV instruction and 4 machine cycles to complete the hardware LCALL to the interrupt vector location.

Thus in a single-interrupt system the interrupt response time will always be more than 5 machine cycles and not more than 12 machine cycles. The maximum latency of 12 machine cycle is 48 clock cycles. Note that in the standard 8051 the maximum latency is 8 machine cycles which equals 96 machine cycles. This is a 50% reduction in terms of clock periods.

Preliminary W79E225A/227A Data Sheet



12. PROGRAMMABLE TIMERS/COUNTERS

The W79E225/227 has three 16-bit programmable timer/counters.

12.1 Timer/Counters 0 & 1

TM0 and TM1 are 16-bit Timer/Counters, and there are nearly identical. Each of these Timer/Counters has two 8 bit registers which form the 16 bits counting register. For Timer/Counter 0, it consists of TH0, the upper 8 bits register, and TL0, the lower 8 bit register. Similarly Timer/Counter 1 has two 8 bits registers; TH1 and TL1. The two timers can be configured to operate either as timers, counting machine cycles or as counters counting external inputs.

When configured as a "Timer", the timer counts clock cycles. In "Counter" mode, the register is incremented on the falling edge of the corresponding external input pins, T0 for Timer 0 and T1 for Timer 1. The T0 and T1 inputs are sampled in every machine cycle at C4. If the sampled value is high in one machine cycle and low in the next, then a valid high to low transition on the pin is recognized and the count register is incremented. Since it takes two machine cycles to recognize a negative transition on the pin, therefore the maximum counting rate is 1/8 of the master clock frequency. In both "Timer" and "Counter" mode, the count register is updated at C3. Therefore, in the "Timer" mode, the recognized negative transition on pin T0 and T1 can cause the count register value to be updated only in the machine cycle following the one in which the negative edge was detected.

The "Timer" or "Counter" function is selected by the "C/ \bar{T} " bit in the TMOD Special Function Register. Each Timer/Counter has one selection bit for its own; bit 2 of TMOD selects the function for Timer/Counter 0 and bit 6 of TMOD selects the function for Timer/Counter 1. In addition each Timer/Counter can be set to operate in any one of four possible modes. The mode selection is done by bits M0 and M1 in the TMOD SFR.

12.1.1 Time-Base Selection

The W79E225/227 can operate like the standard 8051/52 family, counting at the rate of 1/12 of the clock speed, or in turbo mode, counting at the rate of 1/4 clock speed. The speed is controlled by the T0M and T1M bits in CKCON, and the default value is zero, which uses the standard 8051/52 speed.

12.1.2 Mode 0

In Mode 0, the timer/counter is a 13-bit counter. The 13-bit counter consists of THx (8 MSB) and the five lower bits of TLx (5 LSB). The upper three bits of TLx are ignored. The timer/counter is enabled when TRx is set and either GATE is 0 or \overline{INTx} is 1. When C/ \bar{T} is 0, the timer/counter counts clock cycles; when C/ \bar{T} is 1, it counts falling edges on T0 (P3.4 for Timer 0) or T1 (P3.5 for Timer 1). For clock cycles, the time base may be 1/12 or 1/4 clock speed, and the falling edge of the clock increments the counter. When the 13-bit value moves from 1FFFh to 0000h, the timer overflow flag TFX is set, and an interrupt occurs if enabled. This is illustrated in next figure below.

Preliminary W79E225A/227A Data Sheet



12.1.3 Mode 1

Mode 1 is the same as Mode 0, except that the timer/counter is 16 bits, instead of 13 bits.

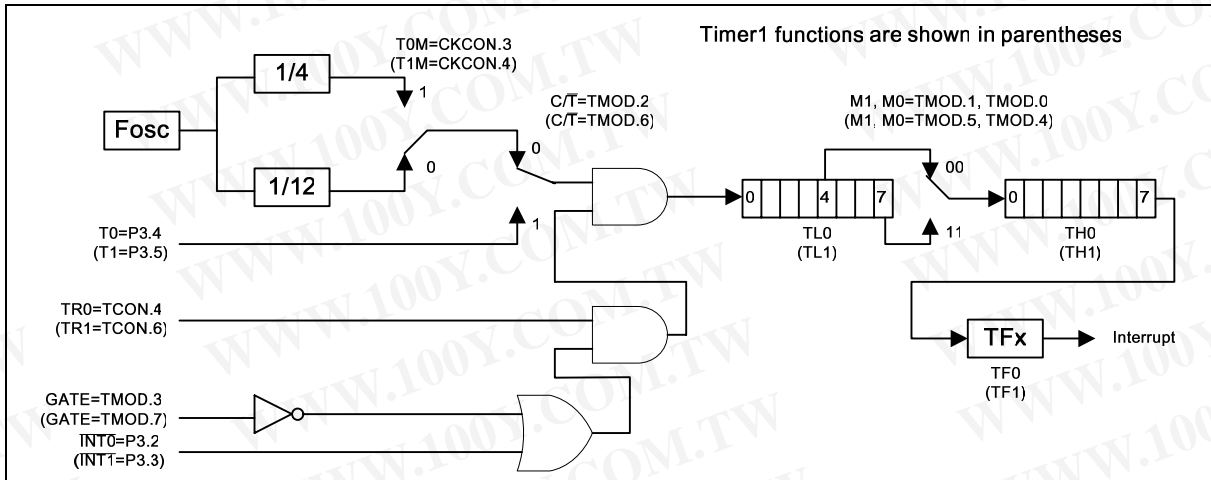


Figure 12-1: Timer/Counters 0 & 1 in Mode 0 and Mode 1

12.1.4 Mode 2

In Mode 2, the timer/counter is in the Auto Reload Mode. In this mode, TLx acts as an 8 bits count register, while THx holds the reload value. When the TLx register overflows from FFh to 00h, the TFx bit in TCON is set and TLx is reloaded with the contents of THx, and the counting process continues. The reload operation leaves the contents of the THx register unchanged. Counting is enabled by the TRx bit and proper setting of GATE and INTx pins. As in the other two modes 0 and 1, mode 2 allows counting of either clock cycles (clock/12 or clock/4) or pulses on pin Tn.

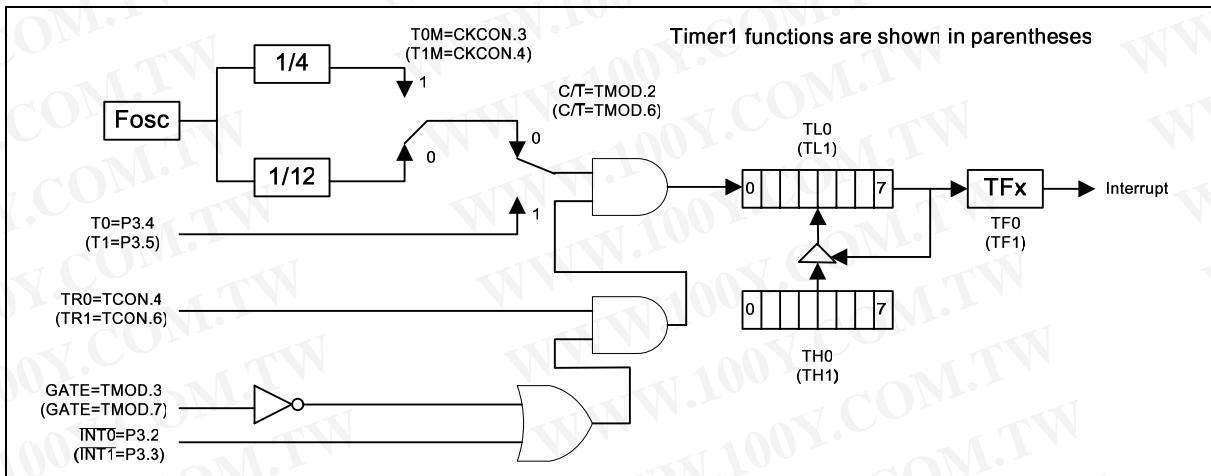


Figure 12-2: Timer/Counter 0 & 1 in Mode 2

Preliminary W79E225A/227A Data Sheet



12.1.5 Mode 3

Mode 3 is used when an extra 8-bit timer is needed. It has different effect on Timer 0 and Timer 1. TL0 and TH0 become two separate 8 bits counters. TL0 uses the Timer 0 control bits C/\bar{T} , GATE, TR0, $\overline{INT0}$ and TF0, and it can be used to count clock cycles (clock/12 or clock/4) or falling edges on pin T0, as determined by C/\bar{T} (TMOD.2). TH0 becomes a clock-cycle counter (clock/12 or clock/4) and takes over the Timer 1 enable bit TR1 and overflow flag TF1. In contrast, mode 3 simply freezes Timer 1. If Timer 0 is in mode 3, Timer 1 can still be used in modes 0, 1 and 2, but it no longer has control over TR1 and TF1. Therefore when Timer 0 is in Mode 3, Timer 1 can only count oscillator cycles, and it does not have an interrupt or flag. With these limitations, baud rate generation is its most practical application, but other time-base functions may be achieved by reading the registers.

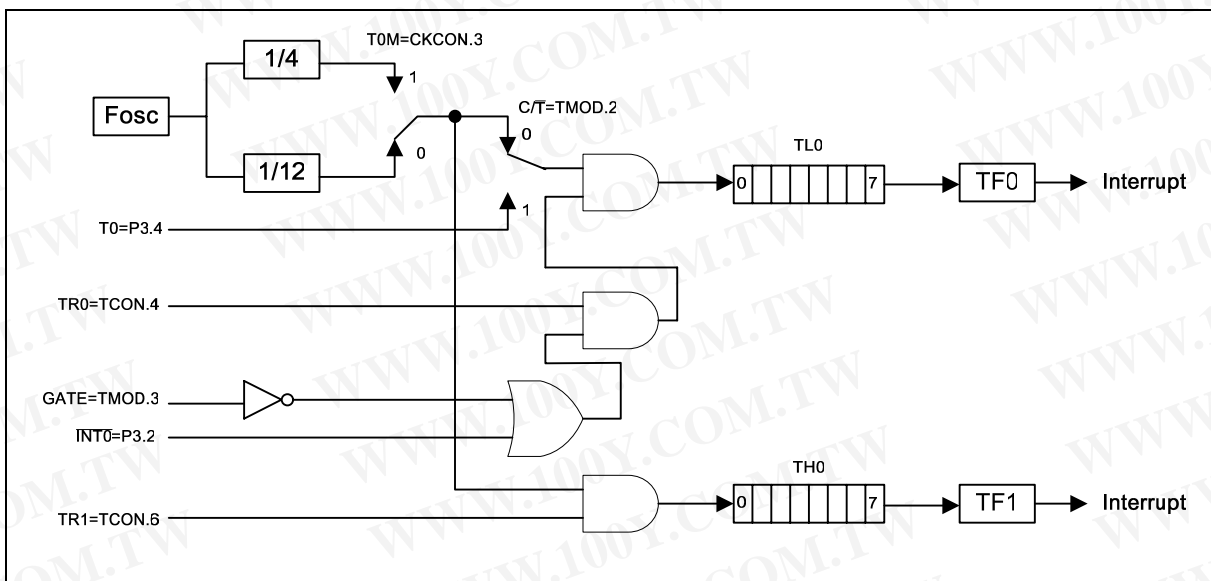


Figure 12-3: Timer/Counter Mode 3

12.2 Timer/Counter 2

Timer/Counter 2 is a 16-bit up/down-counter equipped with a capture/reload capability. The clock source for Timer/Counter 2 may be the external T2 pin ($C/\bar{T}2 = 1$) or the crystal oscillator ($C/\bar{T}2 = 0$), divided by 12 or 4. The clock is enabled and disabled by TR2. Timer/Counter 2 runs in one of four operating modes, each of which is discussed below.

Preliminary W79E225A/227A Data Sheet



12.2.1 Capture Mode

Capture mode is enabled by setting $\overline{\text{CP/RL2}}$ in T2CON to 1. In capture mode, Timer/Counter 2 is a 16-bit up-counter. When the counter rolls over from FFFFh to 0000h, the timer overflow flag TF2 is set, and an interrupt is generated, if enabled.

If the EXEN2 bit is set, a negative transition on the T2EX pin captures the current value of TL2 and TH2 in the RCAP2L and RCAP2H registers. It also sets the EXF2 bit in T2CON, which generates an interrupt if enabled. In addition, if the T2CR bit in T2MOD is set, the W79E225/227 resets Timer 2 automatically after each capture. This is illustrated below.

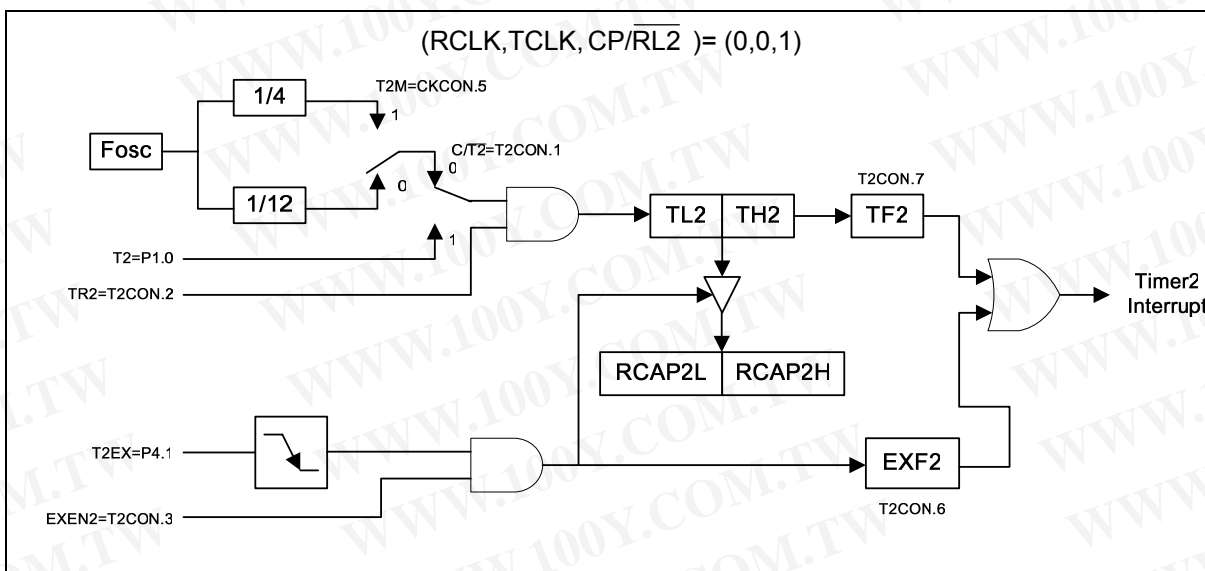


Figure 12-4: Timer2 16-Bit Capture Mode

12.2.2 Auto-reload Mode, Counting up

This mode is enabled by clearing $\overline{\text{CP/RL2}}$ in T2CON register and DCEN in T2MOD. In this mode, Timer/Counter 2 is a 16-bit up-counter. When the counter rolls over from FFFFh to 0000h, the timer overflow flag TF2 is set, and TL2 and TH2 capture the contents of RCAP2L and RCAP2H, respectively. Alternatively, if EXEN2 is set, a negative transition on the T2EX pin causes a reload, which also sets the EXF2 bit in T2CON.

Preliminary W79E225A/227A Data Sheet

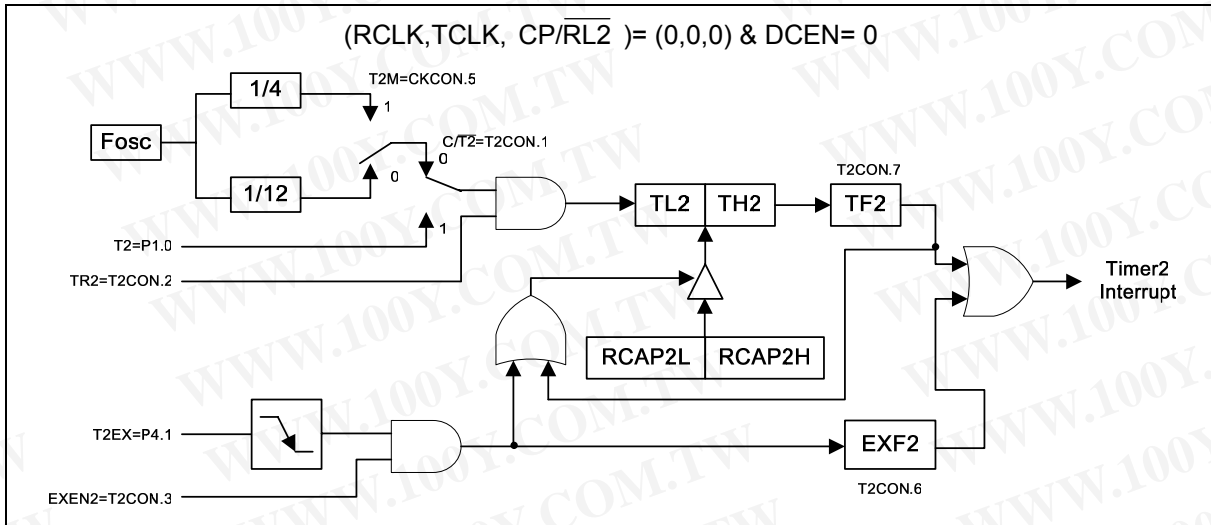


Figure 12-5: 16-Bit Auto-reload Mode, Counting Up

12.2.3 Auto-reload Mode, Counting Up/Down

This mode is enabled by clearing CP/RL2 in T2CON and setting DCEN in T2MOD. In this mode, Timer/Counter 2 is a 16-bit up/down-counter, whose direction is controlled by the T2EX pin (1 = up, 0 = down). If Timer/Counter 2 is counting up, an overflow reloads TL2 and TH2 with the contents of the capture registers RCAP2L and RCAP2H. If Timer/Counter 2 is counting down, TL2 and TH2 are loaded with FFFFh when the contents of Timer/Counter 2 equal the capture registers RCAP2L and RCAP2H. Regardless of direction, reloading sets the TF2 bit. It also toggles the EXF2 bit, but the EXF2 bit can not generate an interrupt in this mode. This is illustrated below.

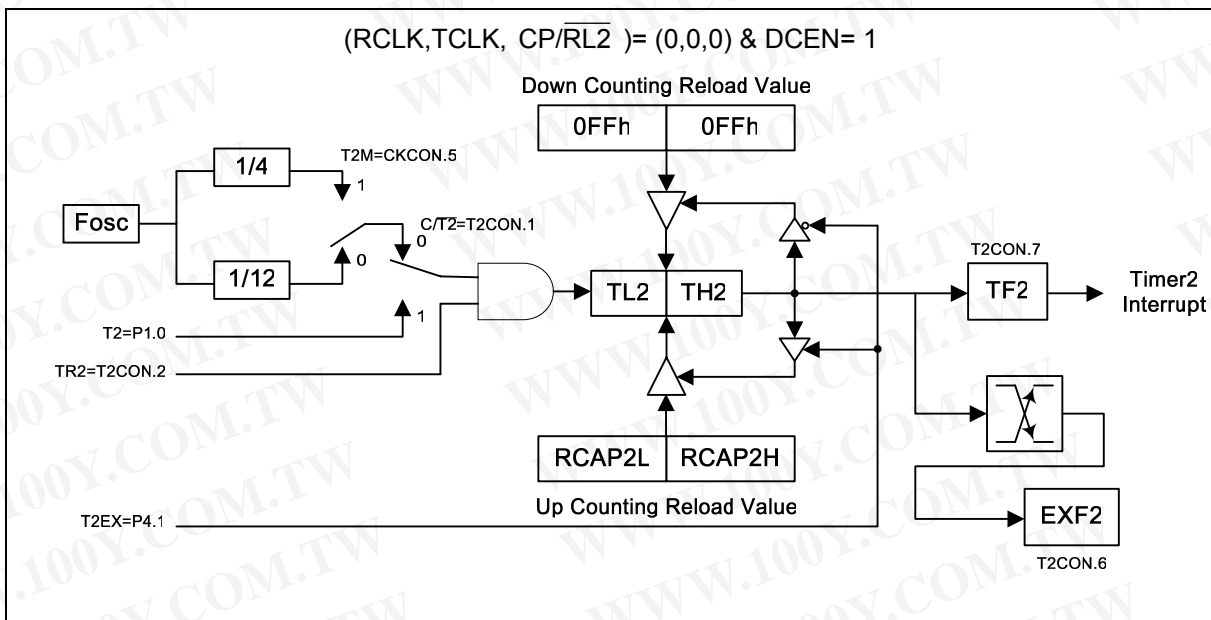


Figure 12-6: 16-Bit Auto-reload Up/Down Counter

勝特力材料 886-3-5753170
 勝特力电子(上海) 86-21-34970699
 勝特力电子(深圳) 86-755-83298787
[Http://www.100y.com.tw](http://www.100y.com.tw)

Publication Release Date: December 14, 2007

Preliminary W79E225A/227A Data Sheet



12.2.4 Baud Rate Generator Mode

Baud rate generator mode is enabled by setting either RCLK or TCLK in T2CON. In baud rate generator mode, Timer/Counter 2 is a 16-bit counter with auto-reload when the count rolls over from FFFFh. However, rolling-over does not set TF2. If EXEN2 is set, then a negative transition on the T2EX pin sets EXF2 bit in the T2CON register and causes an interrupt request.

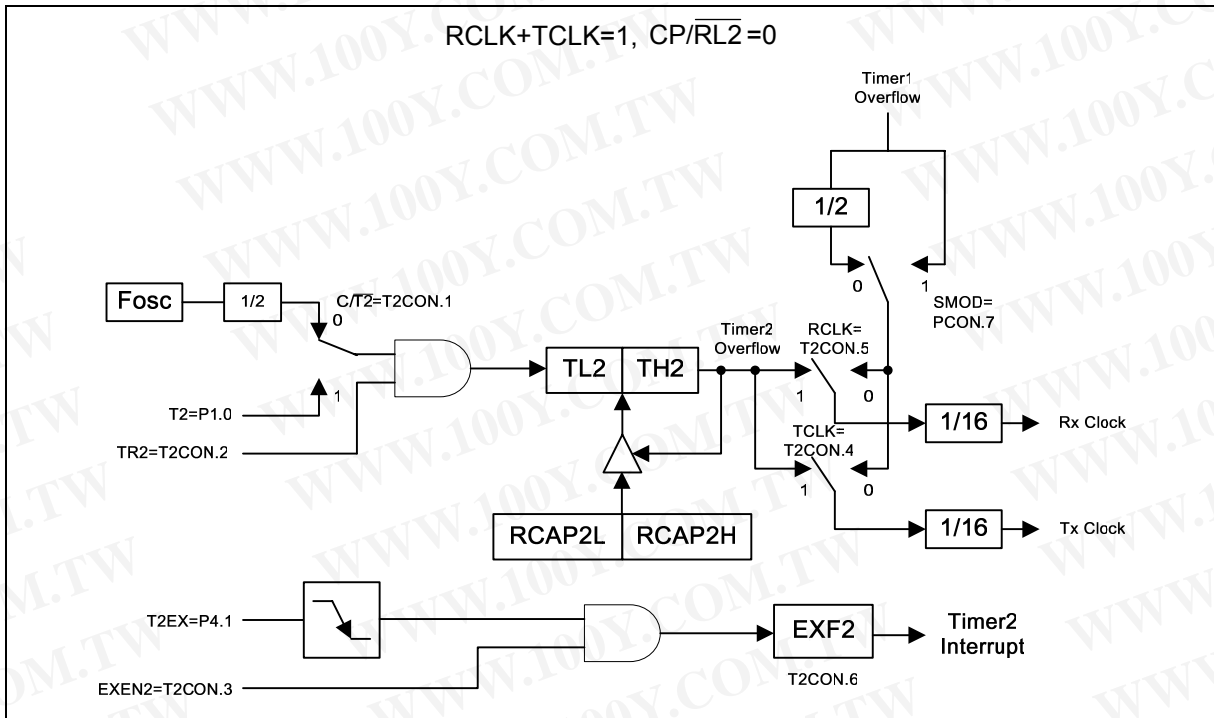


Figure 12-7: Baud Rate Generator Mode

Preliminary W79E225A/227A Data Sheet



13. WATCHDOG TIMER

The Watchdog Timer is a free-running timer that can be programmed to serve as a system monitor, a time-base generator or an event timer. It is basically a set of dividers that divide the system clock to determine the time-out interval. When the time-out occurs, a flag is set, which can generate an interrupt or a system reset, if enabled. The interrupt will occur if its interrupt and global interrupt enables are set. The interrupt and reset functions are independent of each other and may be used separately or together.

The main use of the Watchdog Timer is as a system monitor. In case of power glitches or electromagnetic interference, the processor may begin to execute errant code. The Watchdog Timer helps W79E225/227 recovers from these states. During development, the code is first written without the watchdog interrupt or reset. Then, the watchdog interrupt is enabled to identify code locations where the interrupt occurs, and instructions are inserted to reset the Watchdog Timer in these locations. In the final version, the watchdog interrupt is disabled, and the watchdog reset is enabled. If errant code is executed, the Watchdog Timer is not reset at the required times, so a Watchdog Timer reset occurs.

When used as a simple timer, the reset and interrupt functions are disabled. The Watchdog Timer can be started by RWT and sets the WDIF flag after the selected time interval. Meanwhile, the program polls the WDIF flag to find out when the selected time interval has passed. Alternatively, the Watchdog Timer can also be used as a very long timer. In this case, the interrupt feature is enabled.

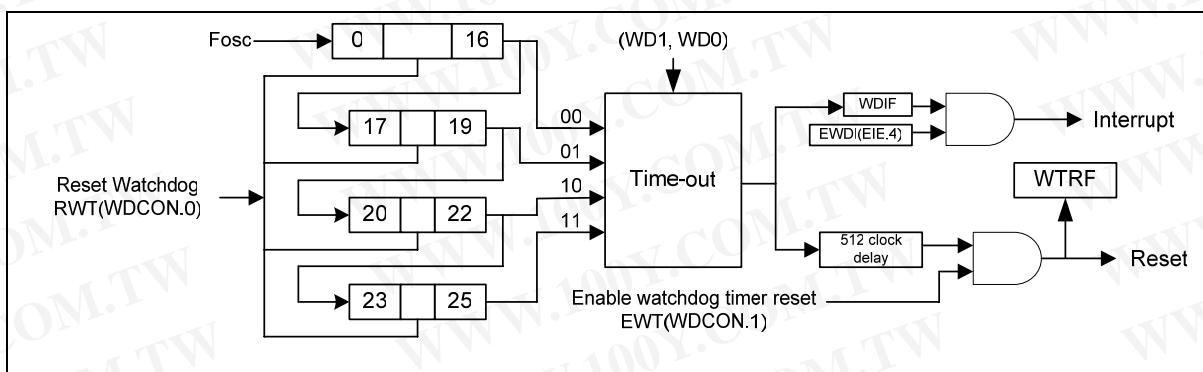


Figure 13-1: Watchdog Timer

The Watchdog Timer should be started by RWT because this ensures that the timer starts from a known state. The RWT bit is self-clearing; i.e., after writing a 1 to this bit, the bit is automatically cleared. After setting RWT, the Watchdog Timer begins counting clock cycles. The time-out interval is selected by WD1 and WD0 (CKCON.7 and CKCON.6).

WD1	WD0	INTERRUPT TIME-OUT	RESET TIME-OUT	NUMBER OF CLOCKS	TIME @ 10 MHZ	TIME @ 11.0592 MHZ	TIME @ 25 MHZ
0	0	2^{17}	$2^{17} + 512$	131072	13.11 mS	11.85 mS	5.24 mS
0	1	2^{20}	$2^{20} + 512$	1048576	104.86 mS	94.81 mS	41.94 mS
1	0	2^{23}	$2^{23} + 512$	8388608	838.86 mS	758.52 mS	335.54 mS
1	1	2^{26}	$2^{26} + 512$	67108864	6710.89 mS	6068.15 mS	2684.35 mS

Table 13-1: Time-out values for the Watchdog Timer

Preliminary W79E225A/227A Data Sheet



When the selected time-out occurs, the watchdog interrupt flag WDIF (WDCON.3) is set. After watchdog time-out, and if Watchdog Timer Reset EWT (WDCON.1) is enabled, the Watchdog Timer will cause a reset 512 clocks later. This reset lasts two machine cycles, and the Watchdog Timer reset flag WTRF (WDCON.2) is set, which indicates that the Watchdog Timer caused the reset. RWT can be used to clear Watchdog timer before a time-out occurs.

The Watchdog Timer is disabled by a power-on/fail reset. The external reset and Watchdog Timer reset can not disable Watchdog Timer, instead it only restart the Timer.

The control bits that support the Watchdog Timer are described as below:

Watchdog Timer Control (WDCON)

BIT	NAME	FUNCTION
7	-	Reserved.
6	POR	Power-on reset flag. The hardware sets this flag during power-up, and it can only be cleared by software. This flag can also be written by software.
5-4	-	Reserved.
3	WDIF	Watchdog Timer Interrupt Flag. If the watchdog interrupt is enabled, the hardware sets this bit to indicate that the watchdog interrupt has occurred. If the interrupt is not enabled, this bit indicates that the time-out period has elapsed. This bit must be cleared by software.
2	WTRF	Watchdog Timer Reset Flag. If EWT is 0, the Watchdog Timer has no affect on this bit. Otherwise, the hardware sets this bit when the Watchdog Timer causes a reset. It can be cleared by software or a power-fail reset. It can be also read by software, which helps determine the cause of a reset.
1	EWT	Enable Watchdog-Timer Reset. Set this bit to enable the Watchdog Timer Reset function.
0	RWT	Reset Watchdog Timer. Set this bit to reset the Watchdog Timer before a time-out occurs. This bit is automatically cleared by the hardware.

Preliminary W79E225A/227A Data Sheet



The POR, EWT, WDIF and RWT bits are protected by the Timed Access procedure. This procedure prevents software, especially errant code, from accidentally enabling or disabling the Watchdog Timer. An example is provided below.

```
    org     63h
    mov     TA,#AAH
    mov     TA,#55H
    clr     WDIF
    jnb     execute_reset_flag,bypass_reset    ; Test if CPU need to reset.
    jmp     $                                   ; Wait to reset
bypass_reset:
    mov     TA,#AAH
    mov     TA,#55H
    setb    RWT
    reti

start:
    org     300h
    mov     ckcon,#01h                        ; Select 2 ^ 17 timer
    ;      mov     ckcon,#61h                  ; Select 2 ^ 20 timer
    ;      mov     ckcon,#81h                  ; Select 2 ^ 23 timer
    ;      mov     ckcon,#c1h                 ; Select 2 ^ 26 timer
    mov     TA,#aah
    mov     TA,#55h
    mov     WDCON,#00000011B
    setb    EWDI
    setb    ea
    jmp     $                                   ; Wait time out
```

Clock Control

WD1, WD0: CKCON.7, CKCON.6 - Watchdog Timer Mode select bits. These two bits select the time-out interval for the Watchdog Timer. The reset interval is 512 clocks longer than the selected interval. The default time-out is 2^{17} clocks, the shortest time-out period.

Preliminary W79E225A/227A Data Sheet



14. PULSE-WIDTH-MODULATED (PWM) OUTPUTS

14.1 PWM Features

The PWM block supports the following features;

- Four 12-bit PWM channels or complementary pairs:
 - 4 independent PWM outputs: PWM0, PWM2, PWM4 & PWM6.
 - 4 complementary PWM pairs with insertion of programmable dead-time: (PWM0,PWM1), (PWM2,PWM3), (PWM4,PWM5), (PWM6,PWM7)
- Three operation mode: Edge aligned mode, Center aligned mode and Single shot mode.
- Programmable dead-time insertion between paired PWMs.
- Output override control for Electrically Commutated Motor operation.
- Hardware/software brake protection.
- Support 2 independent interrupts:
 - Interrupt request when up/down counter comparison matched or underflow.
 - Interrupt request when external brake asserted.
- Flexible operation in debug mode.
- High Source/Sink current.

The outputs for PWM0 to PWM7 are on P2[5:0] (PWM[5:0]) and P5[1:0] (PWM [7:6]) respectively. After CPU reset, the internal output of each PWM channel depends on the output controls and polarity settings. The interval between successive outputs is controlled by a 12-bit up/down counter which uses the oscillator frequency with configurable internal clock prescaler as its input. The PWM counter clock, has the frequency as the clock source $F_{PWM} = F_{OSC}/Prescaler$. The following Figure 14-1: PWM Block Diagram below is the block diagram for PWM.

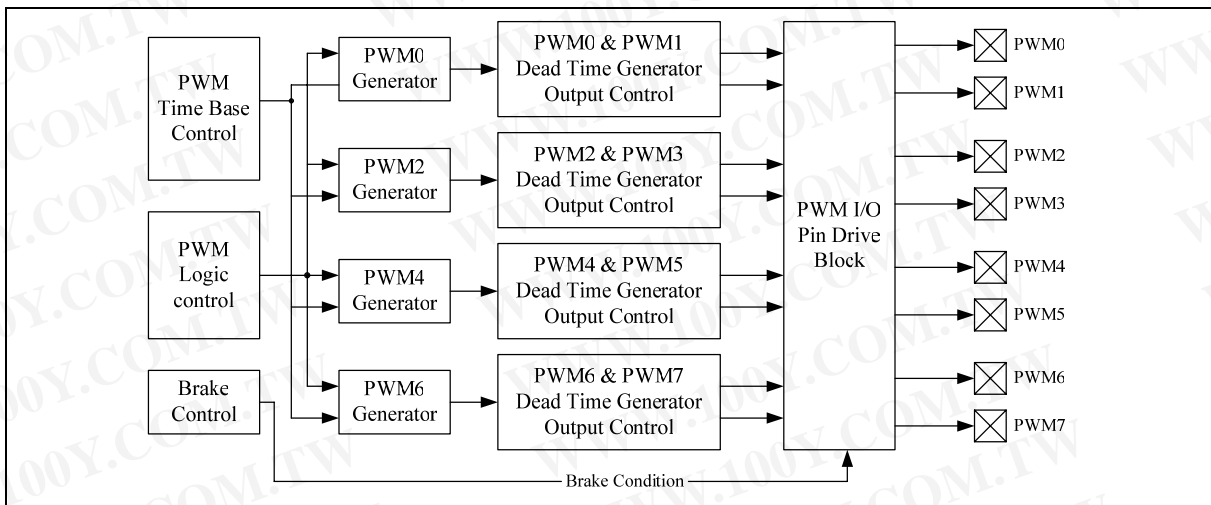


Figure 14-1: PWM Block Diagram

Preliminary W79E225A/227A Data Sheet



14.2 PWM Control Registers

The overall functioning of the PWM module is controlled by the contents of the PWMCON1 register. The operation of most of the control bits is straightforward. For example PWM0I is an invert bit for each output which causes results in the output to have the opposite value compared to its non-inverted output. The transfer of the data from the Counter and Compare registers to the control registers is controlled by the PWMCON1.6 (load) while PWMCON1.7 (PWMRUN) allows the PWM to be either in the run or idle state.

If the Brake pin is not used to control the brake function, the "Brake when PWM is not running" function can be used to cause the outputs to have a given state when the PWM is halted. This approach should be used only in time critical situations when there is not sufficient time to use the approach outlined above, since going from the Brake state to run without causing an undefined state on the outputs is not straightforward. A discussion on this topic is included in the section on PWMCON2.

The Brake function, which is controlled by the contents of the PWMCON2 register, is somewhat unique. In general, when Brake is asserted, the eight PWM outputs are forced to a user selected state, namely the state selected by PWMCON3. As shown in the description of the operation of the PWMCON2 register, if PWMCON2.4, BKEN, is a "1" brake is asserted under the control PWMCON2.7, BKCH, and PWMCON2.5, BPEN. As shown, if both are a "0", brake is asserted. If PWMCON2.7 is a "1", brake is asserted when the PWMRUN bit, PWMCON1.7, is a "0". If PWMCON2.6, BKPS, is a "1", brake is asserted when the Brake Pin, P1.1, has the same polarity as PWMCON2.6. When brake is asserted in response to this pin, the PWMRUN bit in PWMCON1.7 is automatically cleared, and BKF (PWMCON4.0) flag will be set. When both BKCH and BPEN are "1", BKF will be set when Brake pin is asserted, but PWM generator continues to run. With this special condition, the PWM output does not follow PWMnB, instead it output continuously as per normal without affected by the brake.

Since the Brake Pin being asserted will automatically clear the PWMRUN (PWMCON1.7) and BKF (PWMCON4.0) flag will be set, the user program can poll this bit or enable PWM's brake interrupt to determine when the Brake Pin causes a brake to occur. The other method for detecting a brake caused by the Brake Pin would be to tie the Brake Pin to one of the external interrupt pins. This latter approach is needed if the Brake signal is of insufficient length to ensure that it can be captured by a polling routine. When, after being asserted, the condition causing the brake is removed, the PWM outputs go to whatever state that had immediately prior to the brake. This means that in order to go from brake being asserted to having the PWM run without going through an indeterminate state, care must be taken. If the Brake Pin causes brake to be asserted, the following prototype code will allow the PWM to go from brake to run smoothly by software polling BKF flag or enable PWM's interrupt.

- Rewrite PWMCON2 to change from Brake Pin enabled to S/W Brake.
- Write PWM (0, 2, 4, 6) Compare register to always "1", FFFh, or always "0", 000h, to initialize PWM output to a High or Low, respectively.
- Clear BKF flag.
- Set PWMCON1 to enable PWMRUN and Load.
- Poll Brake Pin until it is no longer active.
- Poll PWMCON1 to find that Load Bit PWMCON1.6 is "0". When "0":
- Write PWMP (0, 2, 4, and 6) Counter register for desired pulse widths and counter reload values.
- Set PWMCON1 to Run and Transfer.

Preliminary W79E225A/227A Data Sheet



Note that if a narrow pulse on the Brake Pin causes brake to be asserted, it may not be possible to go through the above code before the end of the pulse. In this case, in addition to the code shown, an external latch on the Brake Pin may be required to ensure that there is a smooth transition in going from brake to run. **A compare value greater than the counter reloaded value resulted in the PWM output being high.** In addition there are two special cases. **A compare value of all zeroes, 000H, causes the output to remain permanently Low.** **A compare value of all ones, FFFH, results in the PWM output remaining permanently High.**

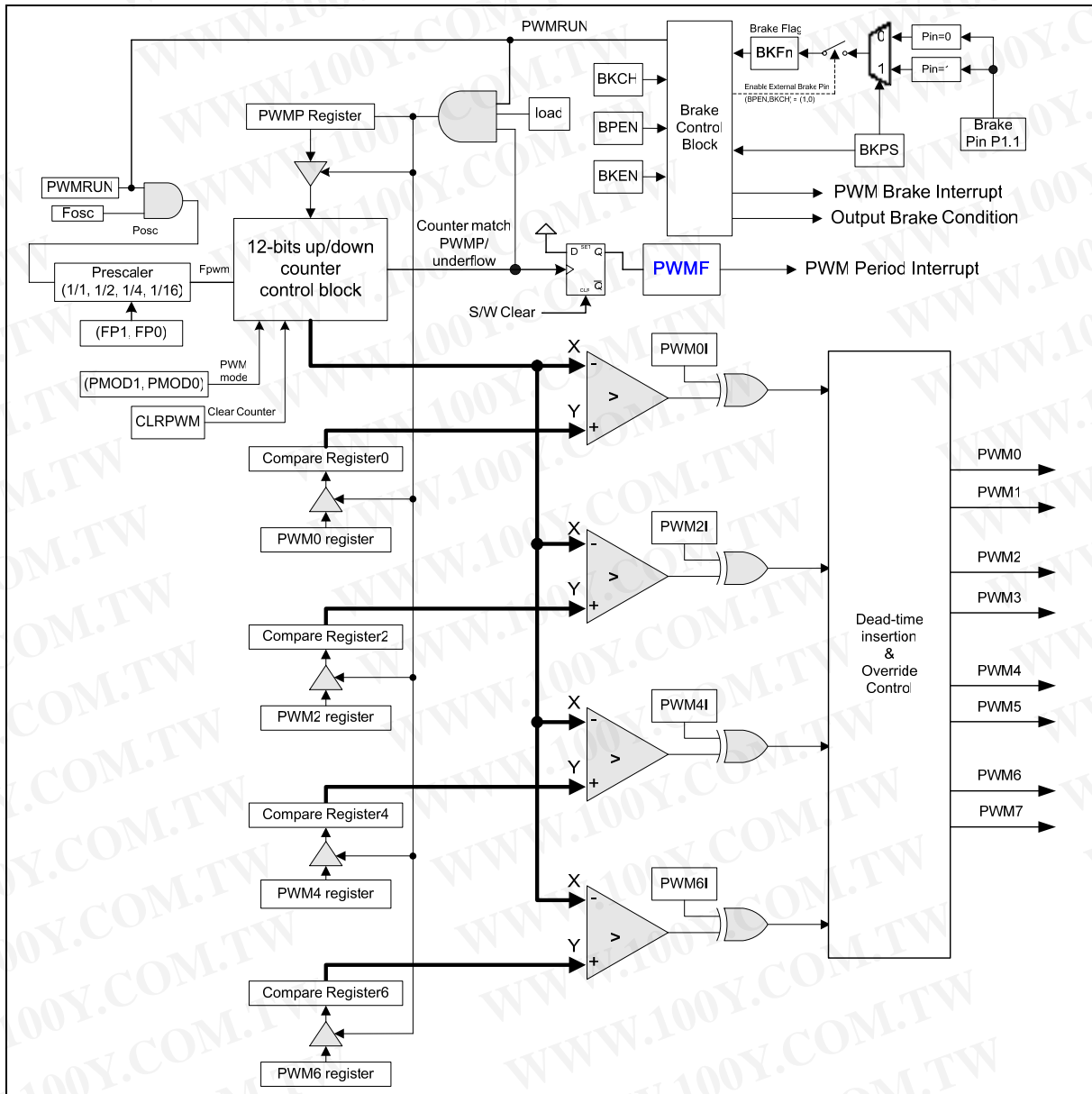


Figure 14-2: PWM Time-base Generator and Brake Function

Preliminary W79E225A/227A Data Sheet



The PWMP register fact that writes are not into the Counter register that controls the counter; rather they are into a holding register. As described below the transfer of data from this holding register, into the register which contains the actual reload value, is controlled by the user's program. The width of each PWM output pulse is determined by the value in the appropriate compare register. Each PWM register pair of (PWMPH,PWMPL), (PWM0H,PWM0L), (PWM2H,PWM2L), (PWM4H,PWM4L) and (PWM6H,PWM6L), in the format of 12-bit width by combining 4 LSB of high byte and 8 MSB bits of low byte, decides the PWM period and each channel's duty cycle. The following equations show the formula for period and duty for each pwm operation mode:

Edge aligned:

$$\begin{aligned} \text{Period} &= (\text{pwmp} + 1) * \text{ioclock period} * 1/\text{prescaler} \\ \text{Duty} &= \text{duty} * \text{ioclock period} \end{aligned}$$

Single shot:

$$\begin{aligned} \text{Period} &= (\text{pwmp}) * \text{ioclock period} / \text{prescaler} \quad (\text{no meaning since it is not periodic}) \\ \text{Duty} &= (\text{duty}) * \text{ioclock period} / \text{prescaler} \quad (\text{for prescaler } 1, 1/2, 1/4) \\ (\text{duty}-1) * \text{ioclock period} / \text{prescaler} &< \text{Duty} < (\text{duty}) * \text{ioclock period} / \text{prescaler} \quad (\text{for prescaler } 1/16) \end{aligned}$$

Centre aligned:

$$\begin{aligned} \text{Period} &= (\text{pwmp} * 2) * \text{ioclock period} / \text{prescaler} \\ \text{Duty} &= (\text{duty} * 2 - 1) * \text{ioclock period} / \text{prescaler} \end{aligned}$$

Note: "duty" refers to PWM0~3 register value.

14.3 PWM Pin Structures

As show in the following diagrams, PWM pin structures are controllable through PWM options bits (PWMEE/PWMOE) and SFR PWMCON4 bits (PWMEOM/PWMOOM/PWM6OM/PWM7OM).

PWMEE/PWMOE (OPTION BITS)	PWMEOM/PWMOOM /PWM6OM/PWM7OM	PIO.X (X = 0-7)	PIN STRUCTURES
X	0	X	Tri-state
1 (Disable)	1	X	Quasi (I/O output)
0 (Enable)	1	0	Push Pull (PWM output)
0 (Enable)	1	1	Push Pull (I/O output)

Table 14-1: PWM pin structures (during internal rom execution)

PWMEE/PWMOE (OPTION BITS)	PWMEOM/PWMOOM /PWM6OM/PWM7OM	PIO.X (X = 0-7)	PIN OUTPUT	PIN STRUCTURES
1 (Disable)	X	X	External access	Push Pull
0 (Enable)	X	X	External access	Push Pull (strong)

Table 14-2: PWM pin structures (during external rom execution)

Preliminary W79E225A/227A Data Sheet



Note: PWMEOM/PWMOOM/PWM6OM/PWM7OM are cleared to zero when CPU in reset state. Thus, the port pins that multi-function with PWM will be tri-stated on default. User is required to set the bits to enable GPIO/PWM outputs.

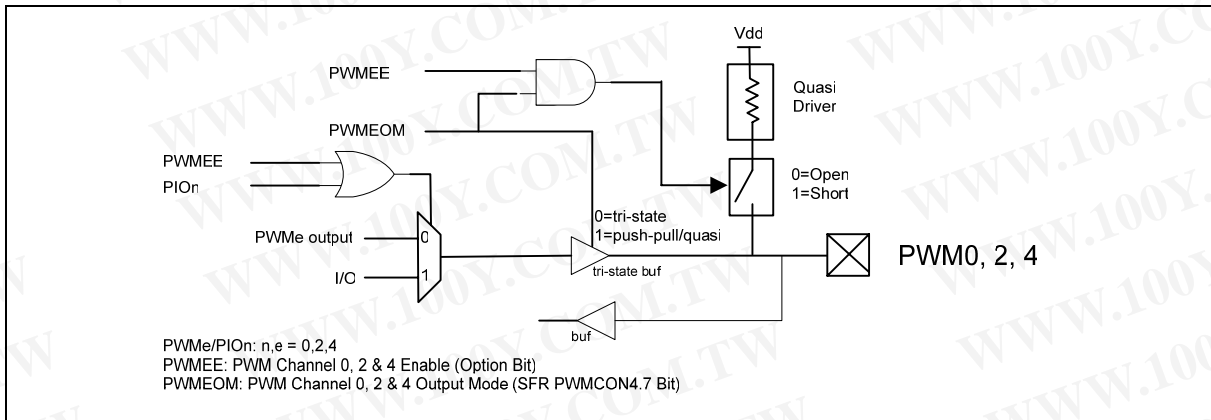


Figure 14-3: PWM0, 2 & 4 I/O pins

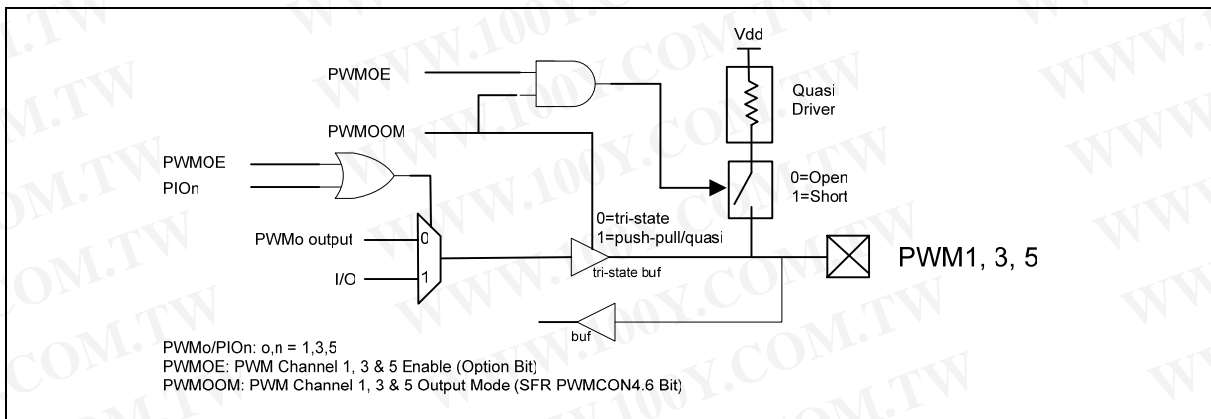


Figure 14-4: PWM1, 3 & 5 I/O pins

Preliminary W79E225A/227A Data Sheet

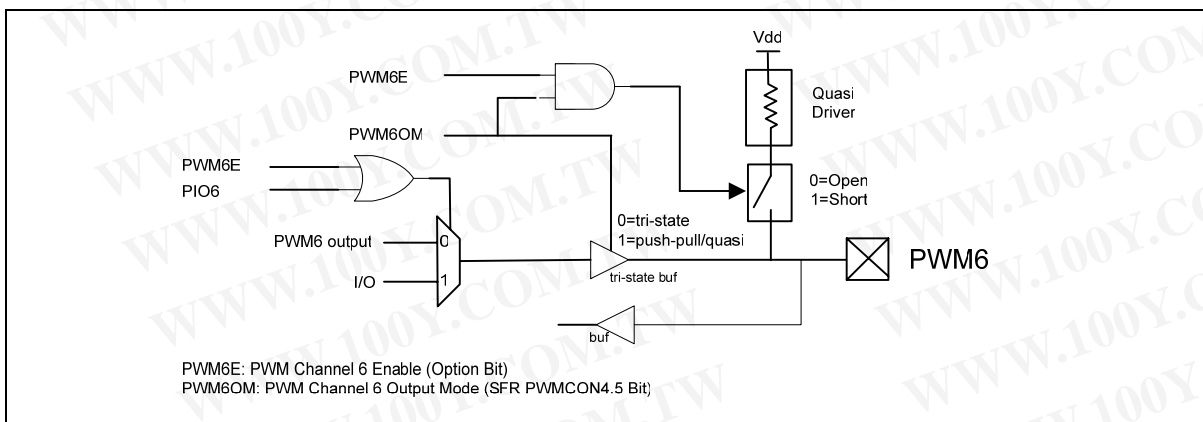


Figure 14-5: PWM6 I/O pin

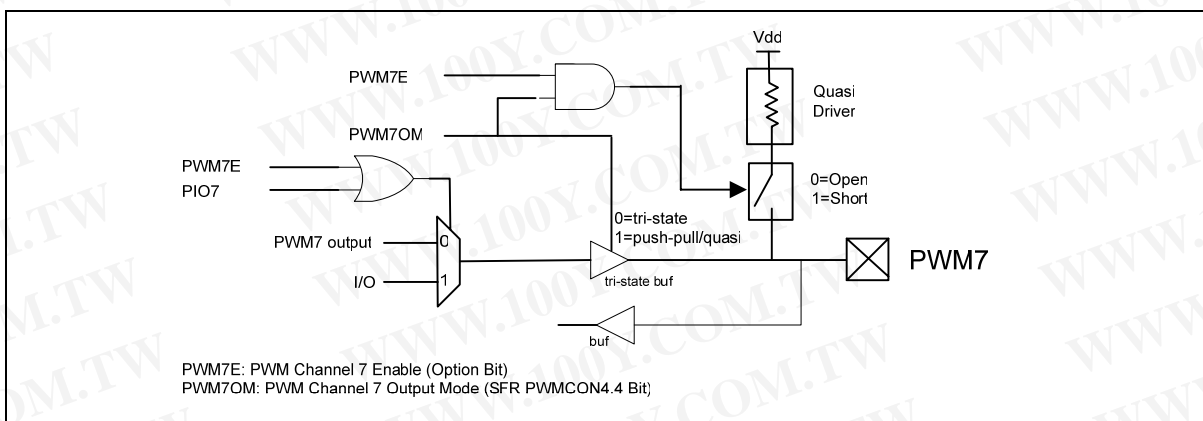


Figure 14-6: PWM7 I/O pin

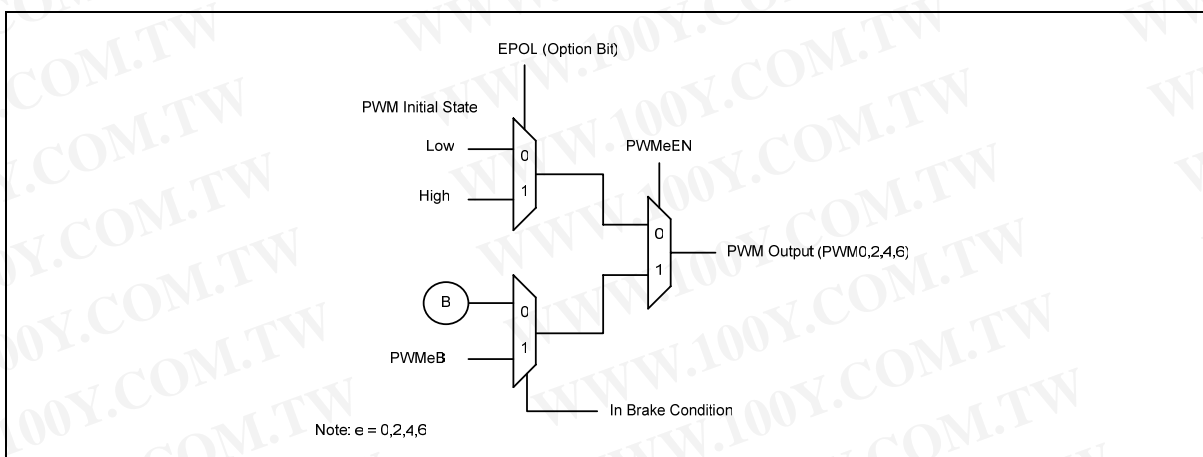


Figure 14-7: Even PWM Output

勝特力材料 886-3-5753170
勝特力电子(上海) 86-21-34970699
勝特力电子(深圳) 86-755-83298787
[Http://www.100y.com.tw](http://www.100y.com.tw)

Preliminary W79E225A/227A Data Sheet

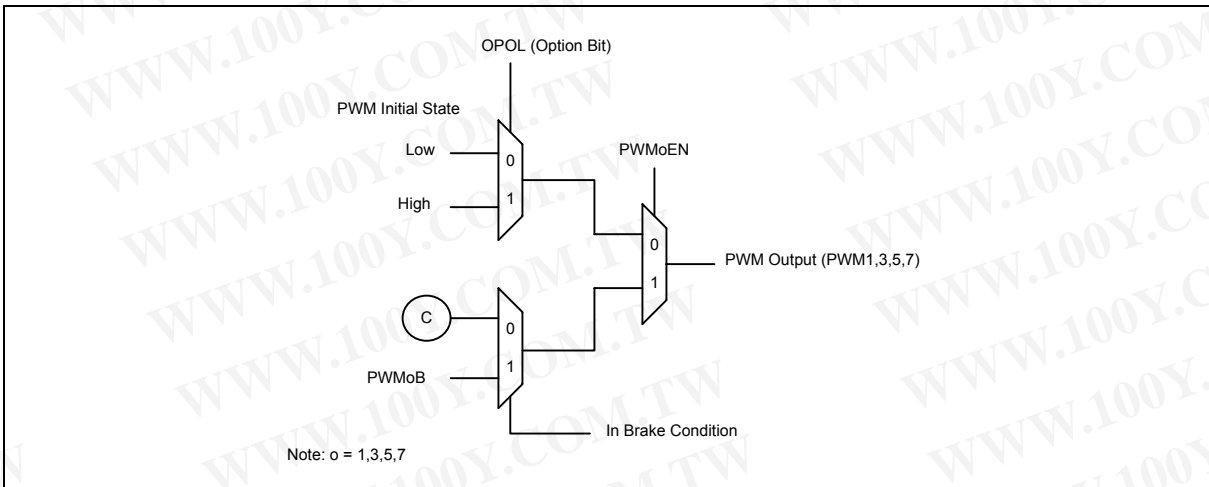


Figure 14-8: Odd PWM Output

14.4 Complementary PWM with Dead-time and Override functions

In this module there are four duty-cycle generators, from 0 through 3. The total of eight PWM output pins in this module, from 0 through 7. The eight PWM outputs are grouped into output pairs of even and odd numbered outputs. In complimentary modes, the odd PWM pins must always be the complement of the corresponding even PWM pin. For example, PWM1 will be the complement of PWM0. PWM3 will be the complement of PWM2, PWM5 will be the complement of PWM4 and PWM7 will be the complement of PWM6. Complementary mode is enabled only when both PWMoEN and the corresponding PWMoEN are set to high. The time base for the PWM module is provided by its own 12-bit timer, which also incorporates selectable prescaler options.

Note: PWM pairs of (PWM2, 3), (PWM4, 5) and (PWM6, 7) are in the same structure as pair of (PWM0, 1). (Refer to Figure 14-9).

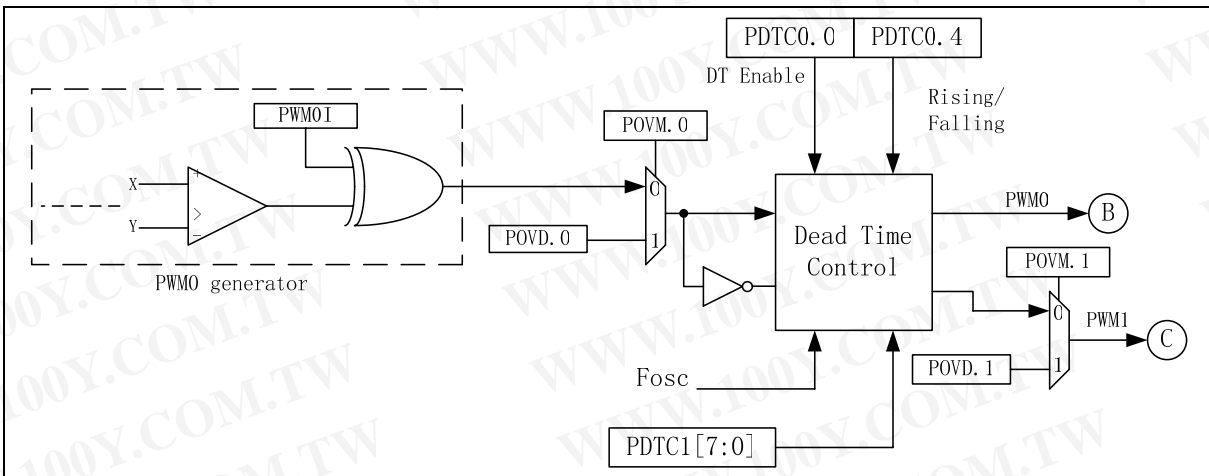


Figure 14-9: Complementary PWM with Dead-time and Override functions

Preliminary W79E225A/227A Data Sheet



14.5 Dead-Time Insertion

The dead time generator inserts an “off” period called “dead time” between the turnings off of one pin to the turning on of the complementary pin of the paired pins. This is to prevent damage to the power switching devices that will be connected to the PWM output pins. Each complementary output pair for the PWM module has 6-bits counter used to produce the dead time insertion. Each dead time unit has a rising and falling edge detector connected to the duty cycle comparison output. The dead time is loaded into the timer on the detected PWM edge event. Depending on whether the edge is rising or falling, one of the transitions on the complementary outputs is delayed until the timer counts down to zero. A timing diagram indicating the dead time insertion for one pair of PWM outputs is shown in Figure 14-10 and Figure 14-11.

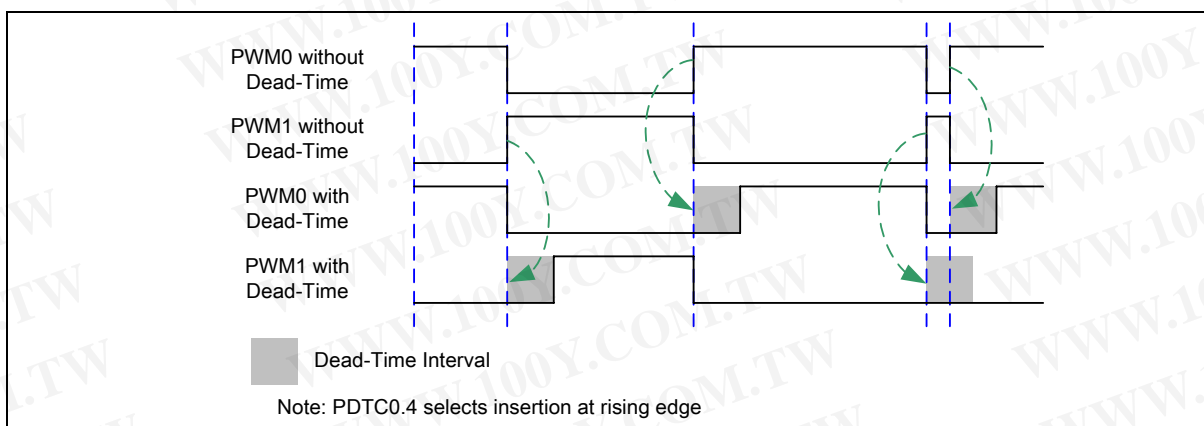


Figure 14-10: Effect of Dead-Time for complementary pairs (rising edge)

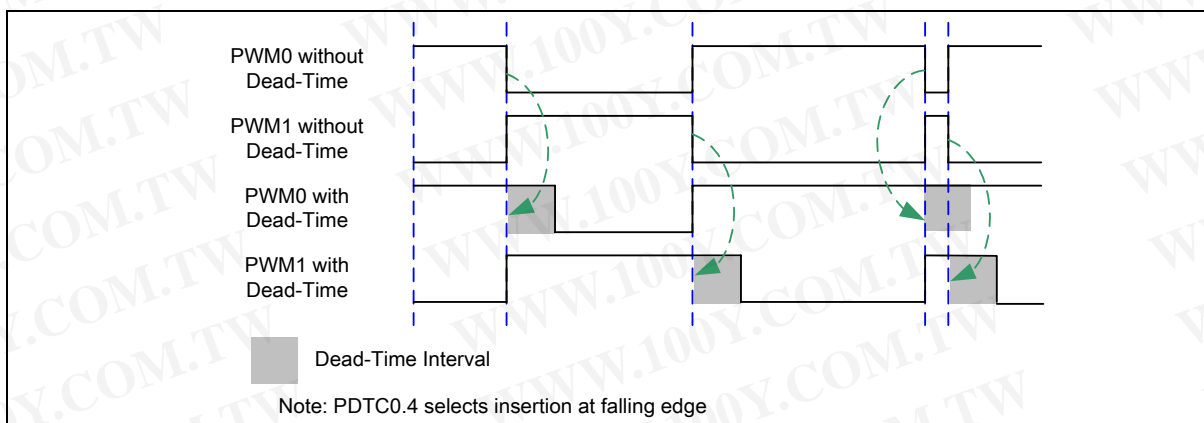


Figure 14-11: Effect of Dead-Time for complementary pairs (falling edge)

Note: User need to take care that power switches should not be use when PWM pair is asserted (high) at the same time.

PDTC0 and PDTC1 have time access protection in writing access. In Power inverter application, a dead time insertion avoids the upper and lower switches of the half bridge from being active at the same time. Hence the dead time control is crucial to proper operation of a system. Some amount of time must be provided between turning off of one PWM output in a complementary pair and turning on the other transistor as the power output devices cannot switch instantaneously.

Preliminary W79E225A/227A Data Sheet



14.6 PWM Output Override

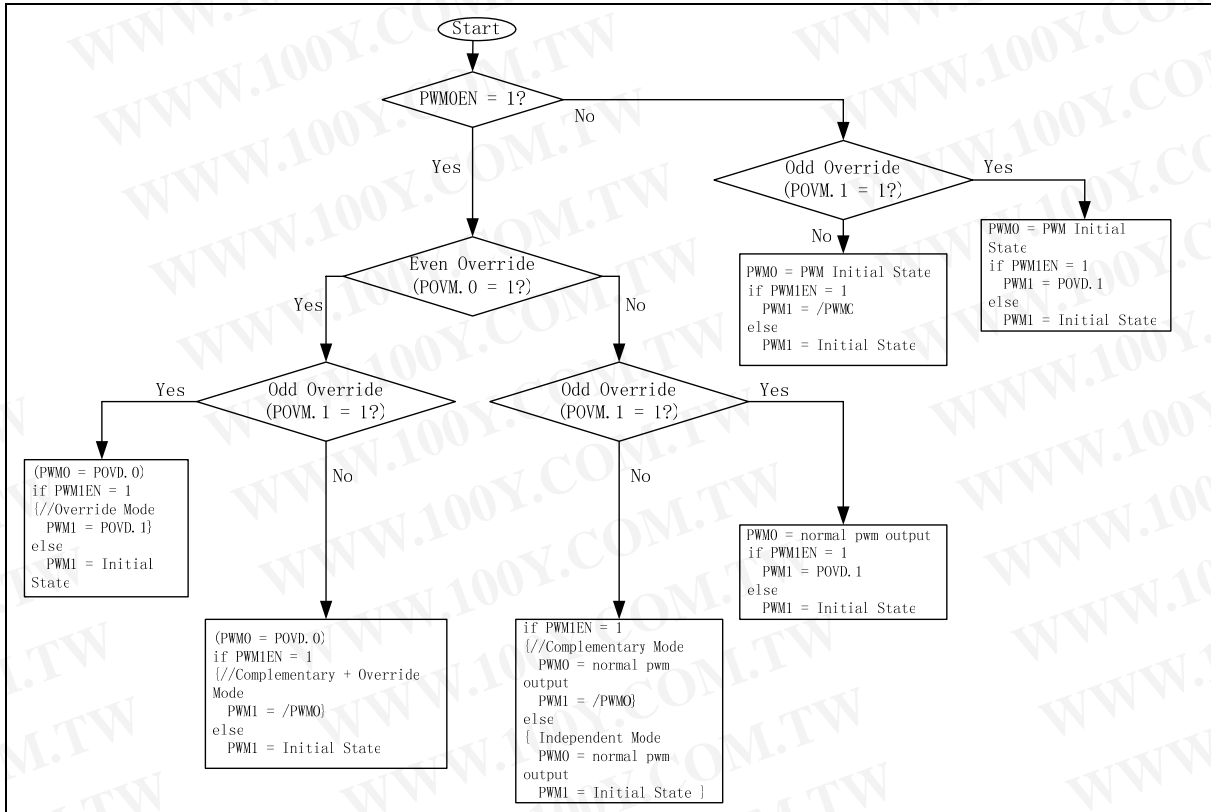


Figure 14-12: Override Flow Diagram

Each of the PWM output channels can be manually overridden by using the appropriate bits in the POVD and POVM registers. This function allow user to drive the PWM I/O pins to specified logic states independent of the duty cycle comparison units. The PWM override bits are useful when controlling various types of Electrically Commutated Motor (ECM) like a BLDC motor. The POVD register contains eight bits, POVD[7:0]. It determines which PWM I/O pins will be overridden. On reset, POVD is 00H.

The POVM register contains eight bits, POVM[7:0]. It determines the state of the PWM I/O pins when a particular output is overridden via the POVD bits. On reset, POVM is 00H. The POVM[7:0] bits are active-high. When the POVM[7:0] bits are set, the corresponding POVD[7:0] bit will have effect on the PWM output. When one of the POVM bits is set, the output on the corresponding PWM I/O pin will be determined by the state of corresponding POVD bit. When a POVM bit is clear, the PWM pin will be driven to its active state. The odd channel is always the complement of the even channel with dead time inserted.. Figure 14-13 demonstrates the override function in complementary mode.

Preliminary W79E225A/227A Data Sheet

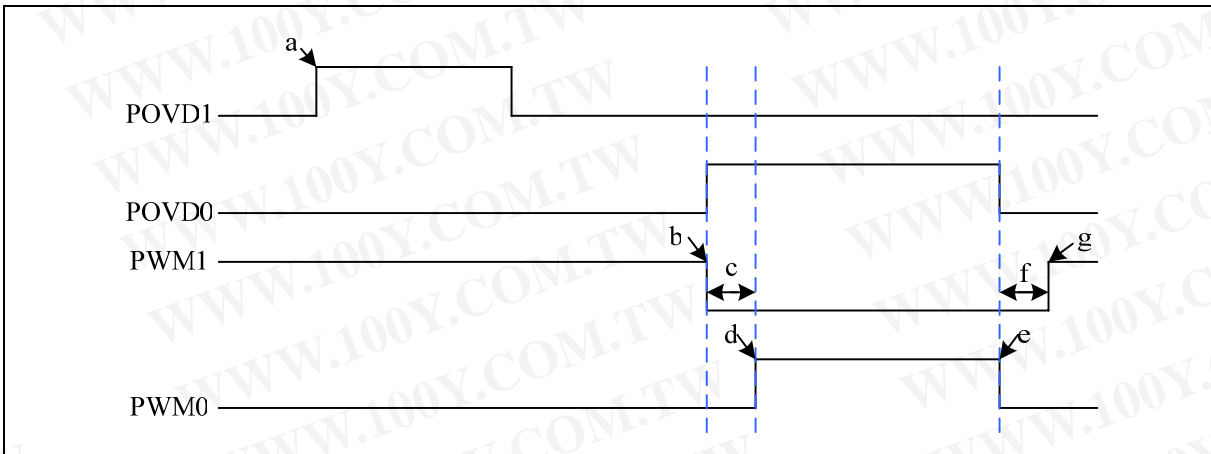


Figure 14-13: Override bit in complementary mode

Assume rising edge dead time insertion; refer to Figure 14-12: Override Flow Diagram.

Example: POVM0 = 1 and POVM1 = 0; PWM0EN and PWM1EN = 1;

- Odd override bits have no effect in complementary mode.
- Even override bit is activated, which causes the Odd PWM to deactivate.
- Dead-Time insertion.
- Even PWM activated after the dead-time.
- Even override bit is deactivated, which causes the Even PWM to deactivate.
- Dead-Time insertion.
- Odd PWM is activated after the dead time.

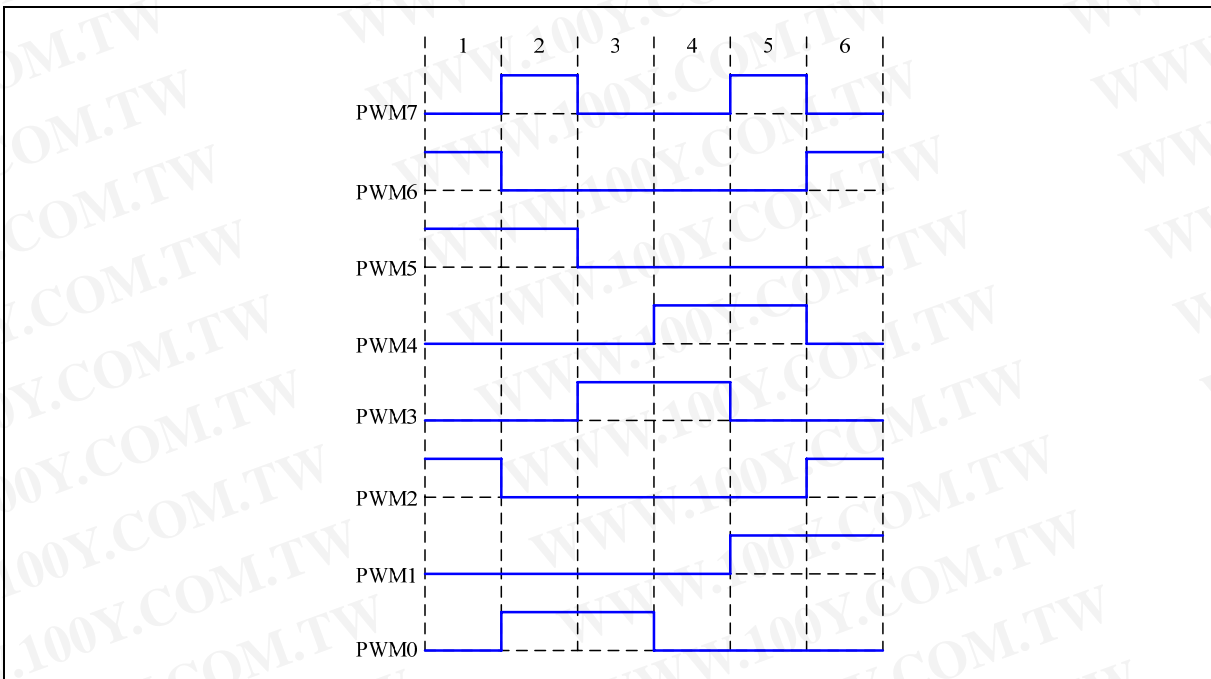


Figure 14-14: Example 1 of Output Even & Odd Override

Preliminary W79E225A/227A Data Sheet



STATE	POVM PWMEEN = 1 PWMOEN = 1	POVD
1	1111 1111b	0110 0100b
2	1111 1111b	1010 0001b
3	1111 1111b	0000 1001b
4	1111 1111b	0001 1000b
5	1111 1111b	1001 0010b
6	1111 1111b	0100 0110b

Table 14-3: Example 1 of Output Even & Odd Override

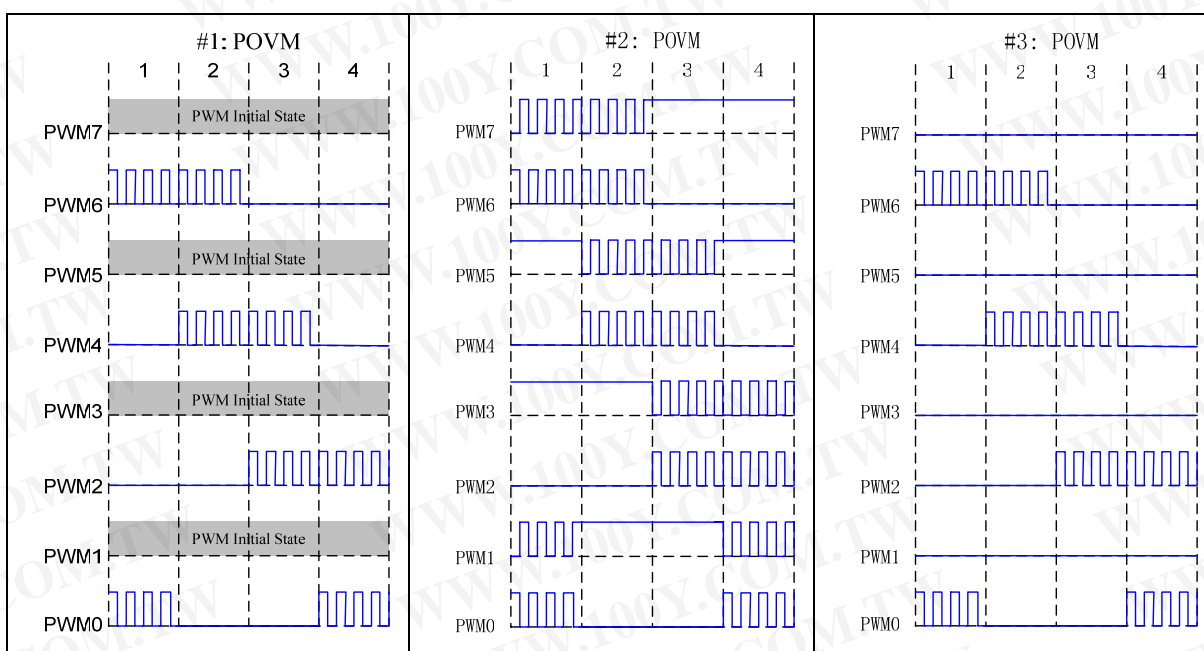


Figure 14-15: Example 2 of Output Override

State	#1: POVM (Odd not overridden in complementary) (PWMeEN = 1, PWMOEN = 0)	#2: POVM (Odd not Override in complementary) (PWMeEN = 1, PWMOEN = 1)	#3: POVM (Odd with Override not in complementary) (PWMeEN = 1, PWMOEN = 1)	POVD
1	0001 0100b	0001 0100b	1011 1110	0000 0000b
2	0000 0101b	0000 0101b	1010 1111	0000 0000b
3	0100 0001b	0100 0001b	1110 1011	0000 0000b
4	0101 0000b	0101 0000b	1111 1010	0000 0000b

Table 14-4: Example 2 of Output Override

Preliminary W79E225A/227A Data Sheet



14.7 Edge Aligned PWM (up-counter)

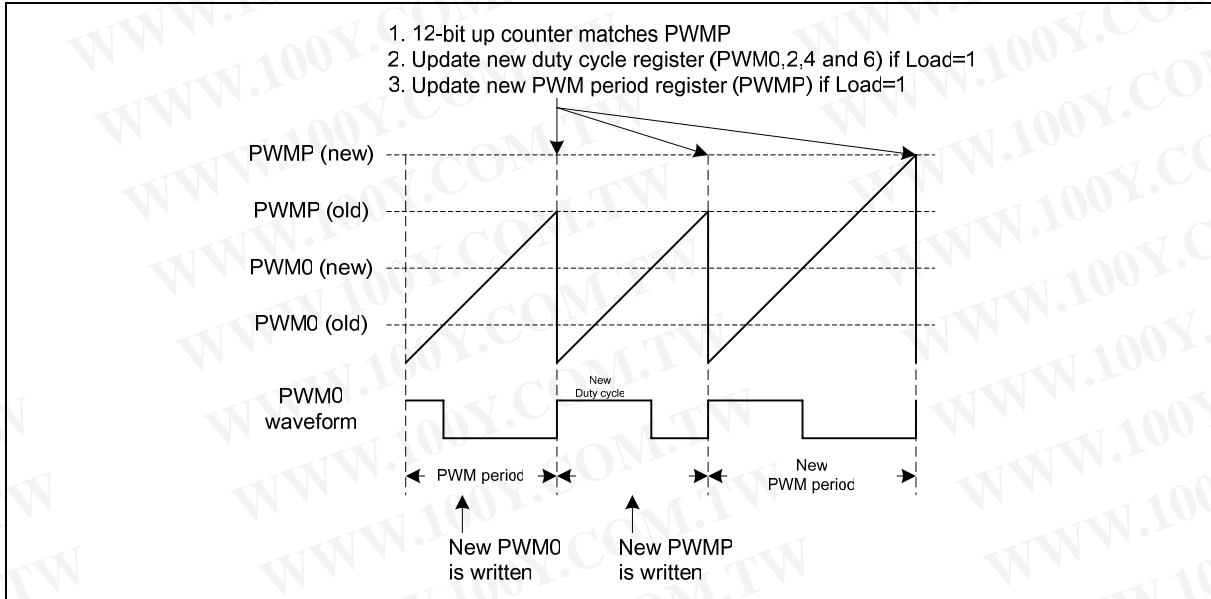


Figure 14-16: Edge-Aligned PWM

In edge-aligned PWM Output mode, the 12 bits counter will start counting from 0 to match with the value of the duty cycle PWM0 (old). When the match occurs, it will toggle the PWM0 output waveform to low. After CPU resets, the value of PWM0 waveform at starts of counter depend on the polarity setting located in the Option bits. At this point a new PWM0 (new) is written. The counter will continue counting to match with the value of the period register, PWMP (old) and toggle the PWM0 waveform to high. Please take note that PWM0 and PWMP is a double-buffered register used to set the duty cycle and counting period for the PWM time base respectively. For the 1st buffer it is accessible by user while the 2nd buffer holds the actual compare value used in the present period. Load bit must be set to 1 to enable the value to be loaded in to the 2nd buffer register when counter underflow/match.

When the counter matches the PWMP (old) it will automatically update the new duty cycle register and the counter will again starts counting upwards to match the value PWM0 (new). At this point it will toggle the PWM0 waveform to low. New PWMP is written at this point. When the counter continues counting to match the PWMP (old), again the PWM0 waveform will be toggle to high. The counter starts counting from 0 again; at this point the value is PWM0 (new) and PWMP (new) to be match by the counter and once the counter matches these values it will be toggle at the PWM output.

Preliminary W79E225A/227A Data Sheet

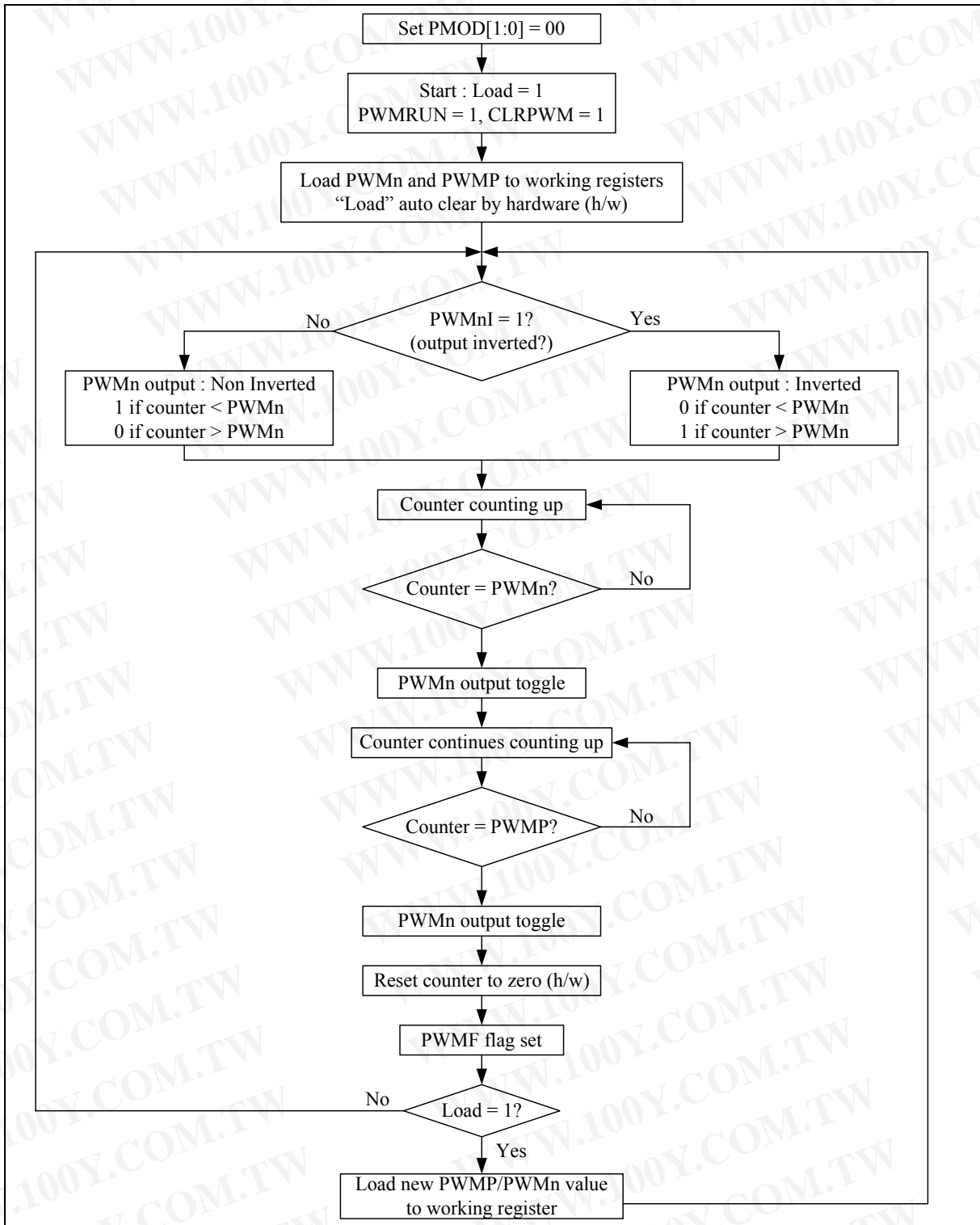


Figure 14-17: Edge-Aligned Flow Diagram

Preliminary W79E225A/227A Data Sheet

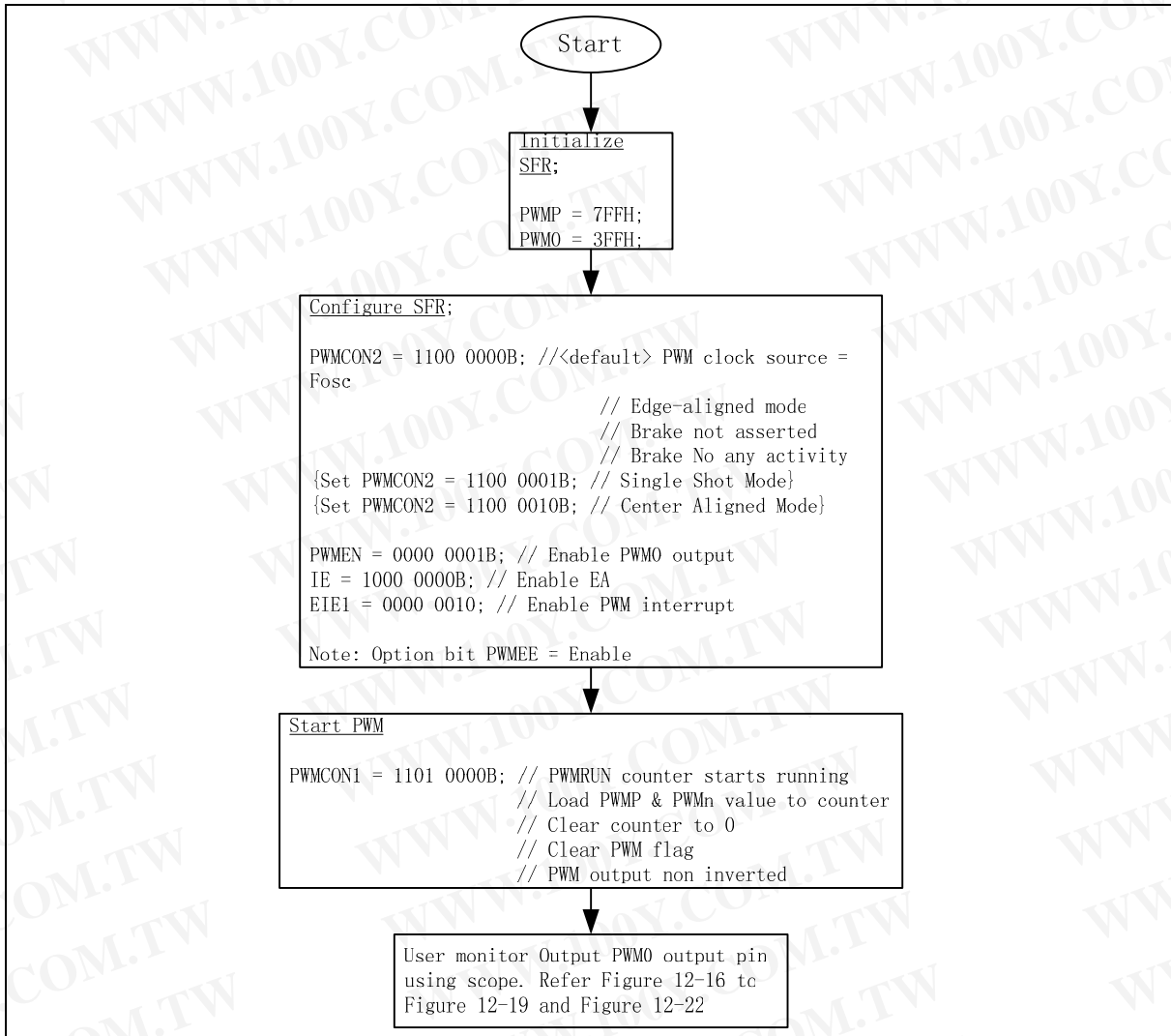


Figure 14-18: Program Flow for Edge-Aligned mode

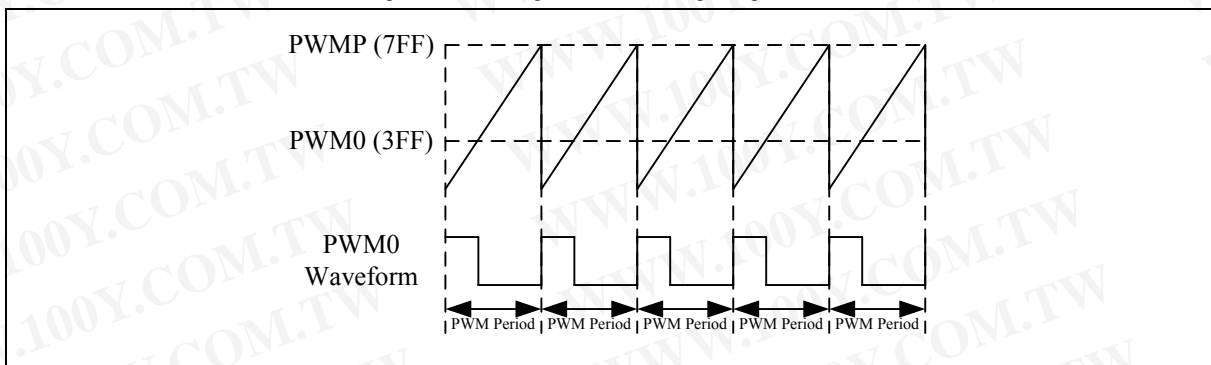


Figure 14-19: PWM0 Edge Aligned Waveform Output

Preliminary W79E225A/227A Data Sheet



14.8 Center Aligned PWM (up/down counter)

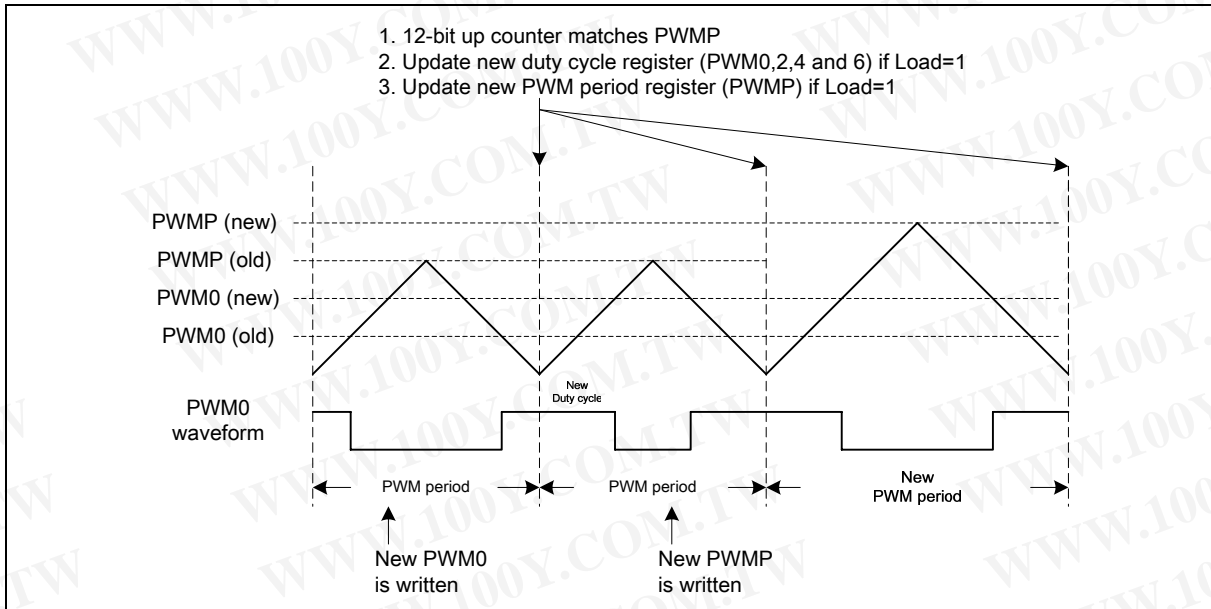


Figure 14-20: Center-Aligned Mode

Center-aligned PWM signals are produced by the module when the PWM time base is configured in an Up/Down Counting mode (see Figure 14-20). The counter will start counting-up from 0 to match the value of PWM0 (old); this will cause the toggling of the PWM0 output to low. The CPU reset states determine the starts value of PWM0 waveform at starts of counter lies on the polarity setting located in the Option bits. At this time the new PWM0 is written to the register. Counter continue to count and match with the PWMP (old). Upon reaching this states counter is configured automatically to down counting and toggle the PWM0 output when counter matches the PWM0 (old) value. Interrupt request when up/down counter underflow. Once the counter reaches 0 it will update the duty cycle register with Load = 1. Up-counting is continues with the matching at PWM0 (new) follow by a low toggle at the PWM0 output. By this time the PWMP buffer is still consist of the PWMP (old) value. A new PWMP is written. So the counter will still matches with this value and continues with down counting and matched the PWM0 (new) and toggle the PWM0 output.

Again updates on the PWM period register is reflected on the 3rd cycle of the diagram by starts counting from 0 to match the PWM0 (new) and toggle at the PWM0 output to low. Counter is continuing up-counting, upon reaching the PWMP (new) it is matched. Then counter is down counting automatically to match at the PWM0 (new) to get a toggle high at PWM0 output.

Preliminary W79E225A/227A Data Sheet

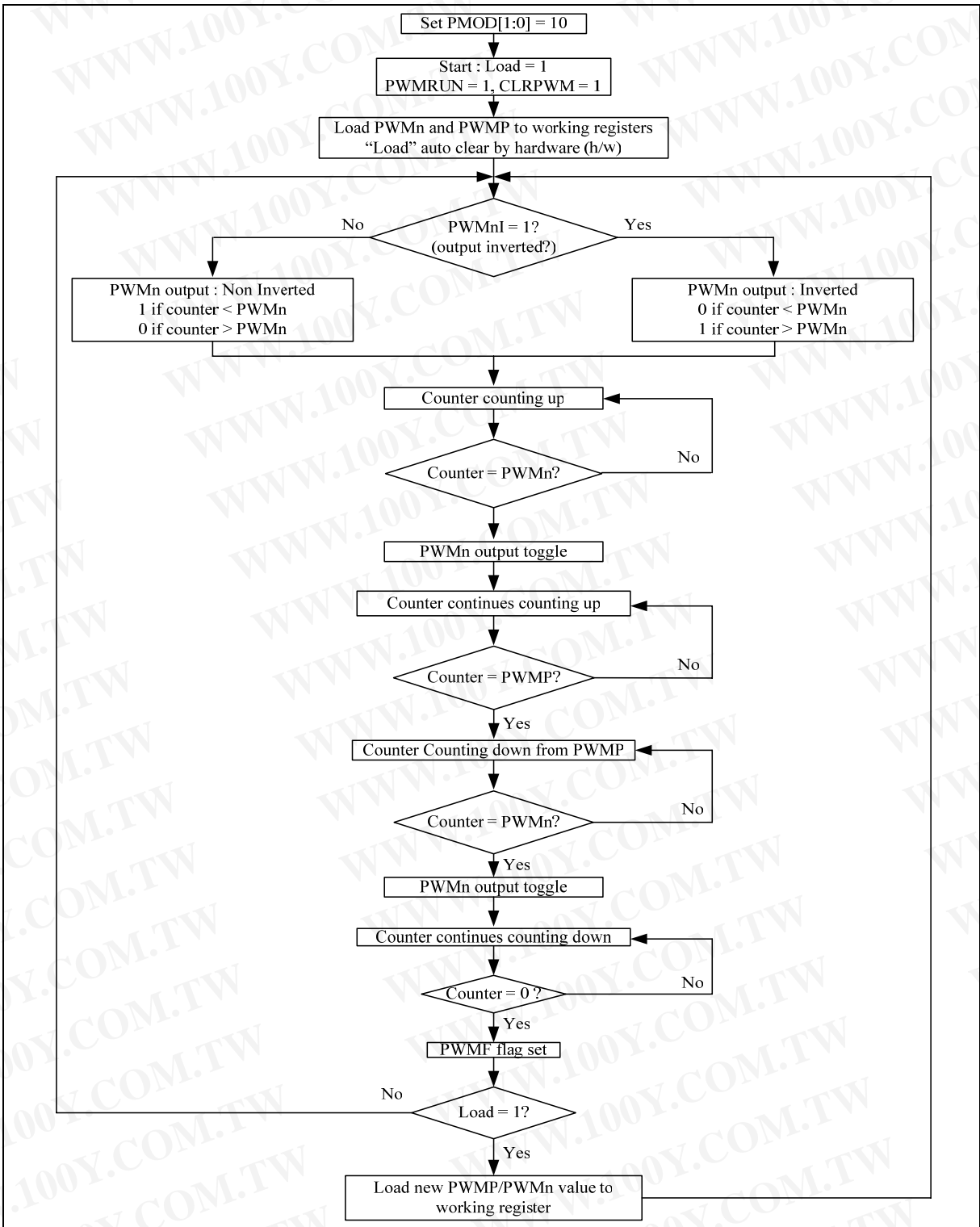


Figure 14-21: Center-aligned Flow Diagram

勝特力材料 886-3-5753170
 勝特力电子(上海) 86-21-34970699
 勝特力电子(深圳) 86-755-83298787
[Http://www.100y.com.tw](http://www.100y.com.tw)

Preliminary W79E225A/227A Data Sheet

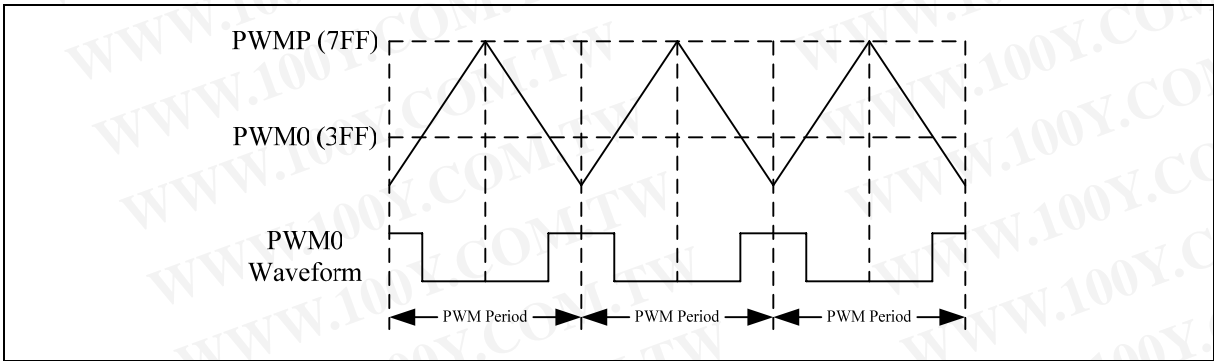


Figure 14-22: PWM0 Center Aligned Waveform Output

14.9 Single Shot (Up-Counter)

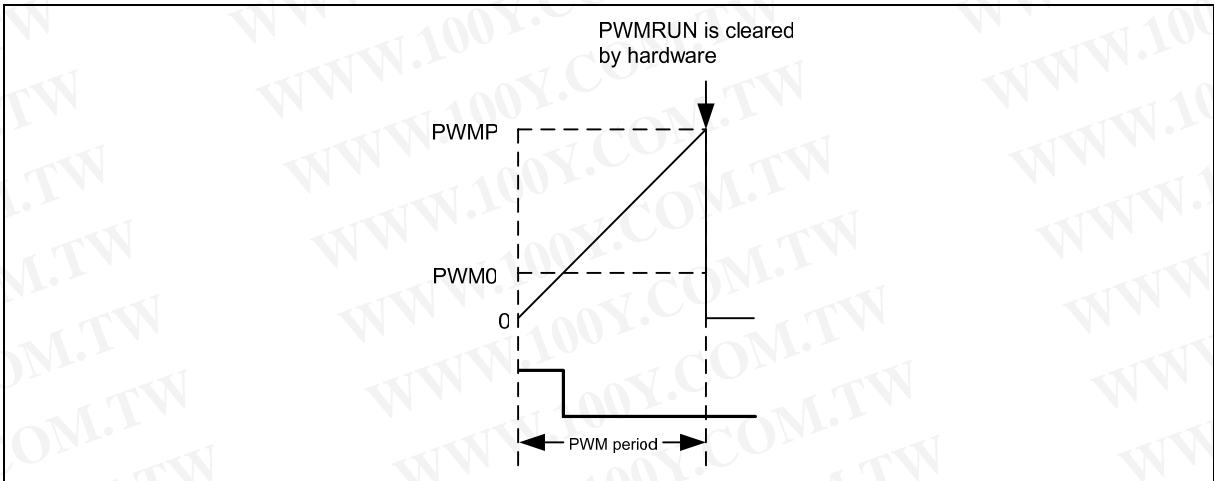


Figure 14-23: Single Shot Mode

The single shot mode PWM module will produce single pulse output. Single-pulse operation is configured when the PMOD1:PMOD0 bits are set to '01' in PWMCON3 register. This mode of operation is useful for driving certain types of ECMs. In this mode, the PWM counter will start counting upwards when the PWMRUN is set to 1. When the counter value matches with the PWMP register, PWM interrupt will be generated if it is enable and PWMF is set and counter will reset to zero on the following input clock edge and PWMRUN will be cleared by hardware. Duty cycle of PWM channels are determined by the respective PWMx registers, where x = 0,2,4,6

Preliminary W79E225A/227A Data Sheet



Example Steps of setting up Single Shot:-

1. Set initial state = 0 (controlled by EPOL option bit)
2. PWM0EN=0, POVM.0=0, PWM0I=0, PWM0=0000H(for keep comparator output in low state), PWMP=0001H(let the period as short as possible)
3. PWMRUN=1(Do a dummy PWMRUN for loading PWM0 to compare register0, which make comparator output LOW always.
4. PWM0EN=1, now the PWM0 pin should be still in 0 state.
5. PWMP=xxxxH(controls a period), PWM0=yyyyH(controls duty or pulse width)
6. PWMRUN=1(this time a real PWM single shot signal user wanted. The wave form should be the upper one.

Note: In single shot mode, it's important that user sets CLRPWM together with PWMRUN and LOAD in order to have PWMn and PWMP loaded into working registers immediately.

Preliminary W79E225A/227A Data Sheet

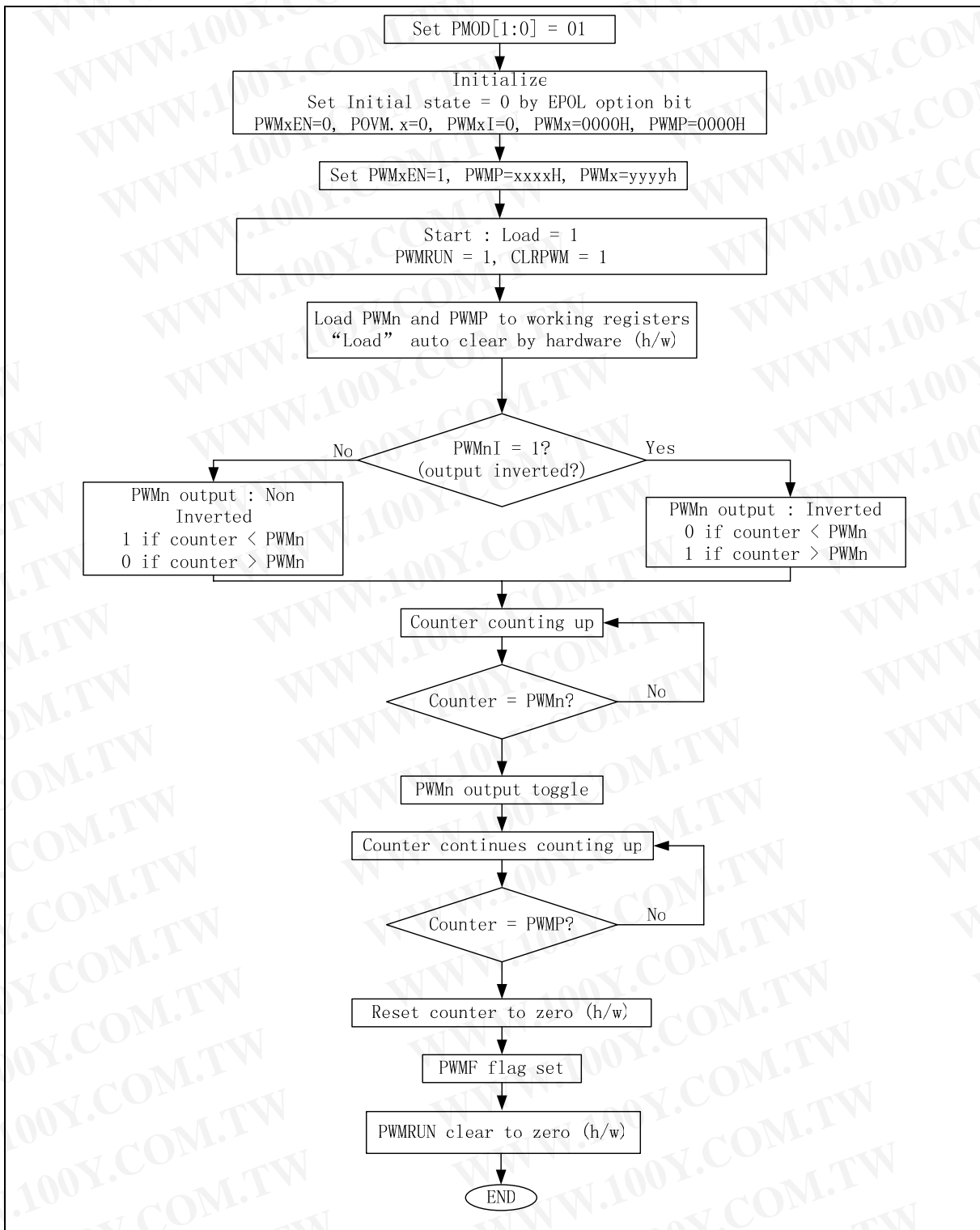


Figure 14-24: Single-Shot Flow Diagram

Preliminary W79E225A/227A Data Sheet



14.10 Smart Fault Detector

This is a brake detection logic that is new to support external brake conditions that already exist. A dedicated SFR FSPLT is added for this function. The SFR consists of smart fault detector control and status bits. It basically consists of a clock divider, 8 bits counter, comparator and 4 selectable compare values. The following diagram show the general block diagram.

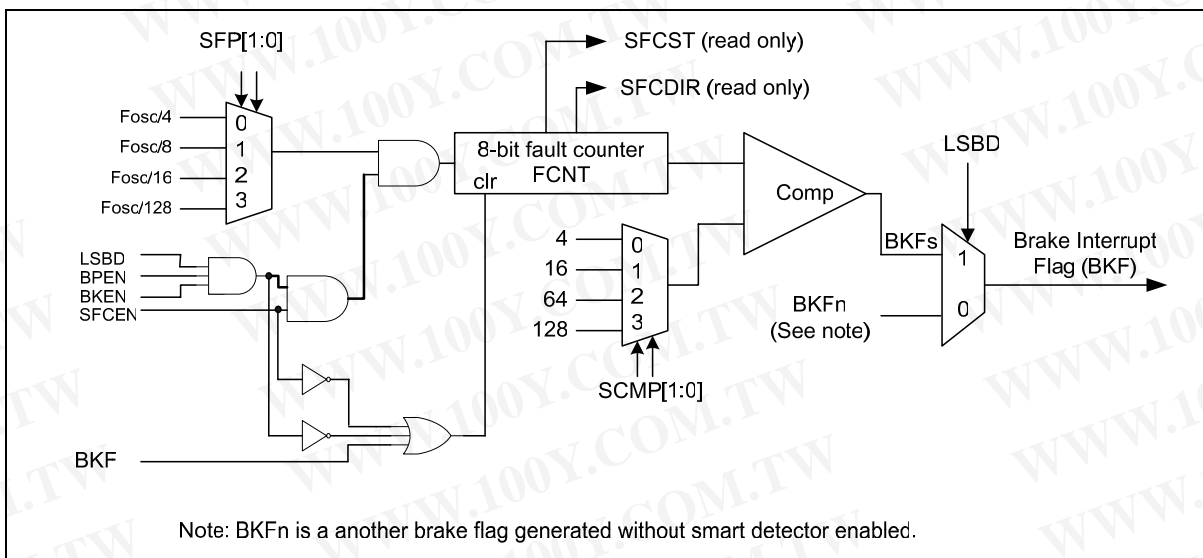


Figure 14-25: Smart Fault Detector

The smart fault detector is enabled when bit LSBD = 1 (FSPLT.0). This logic detects low level brake pin. The 8 bits counter is enabled by SFCEN bit located in SFR FSPLT.3. The counter is clock by Fosc divider selectable by SFP1-0 control bits (FSPLT.5-4). The comparator compares the 8 bits counter value with the compare value selectable with SCMP1-0 (FSPLT1-0).

Upon initial detection of low level at brake pin, the 8 bits counter will be active. This will cause the counter to increment. While the counter is active and there is high level detected at brake pin, the counter will decrement. See next figure for timing diagram. When the counter value reaches compare value, BKF will be asserted.

Preliminary W79E225A/227A Data Sheet

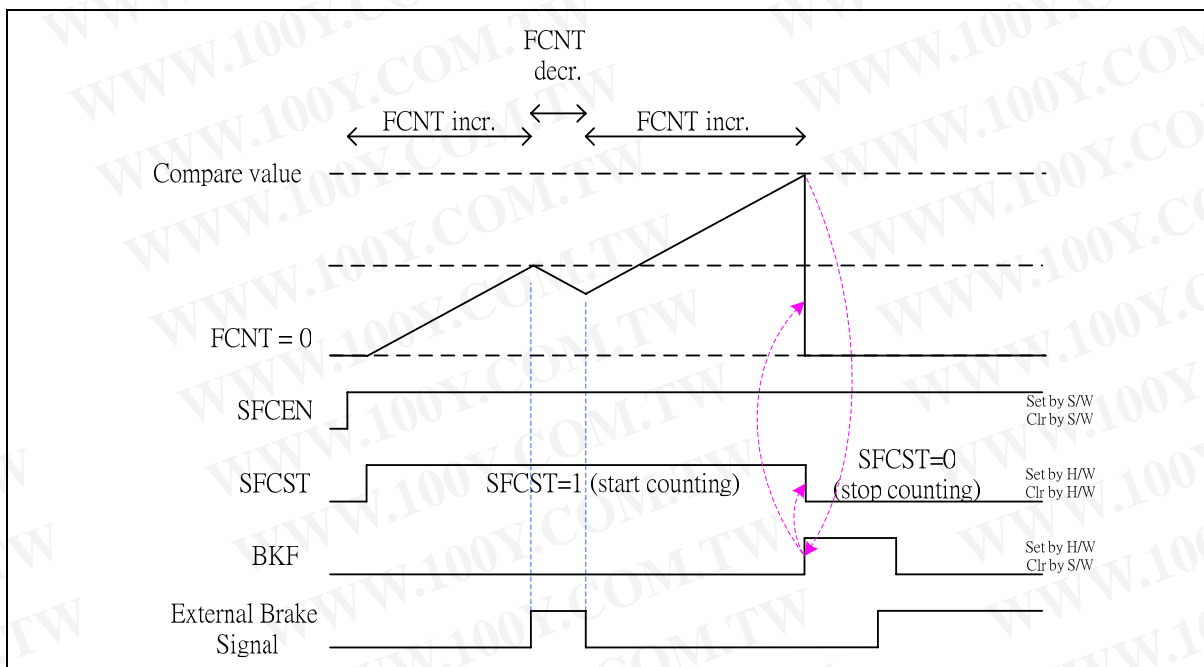


Figure 14-26: Smart Fault Detector timing diagram

The smart fault detector consists of 2 status bits; SFCST and SFCDIR. A SFCST show status of 8 bits counter is active or in-active, while SFCDIR shows the counter's counting direction. When SFCST = 0, SFCDIR keeps its' state.

The s/w can manually disable and clear the 8 bits counter, by clearing SFCEN to 0.

The following tables show the tabulate accumulated low level Brake time with various Fosc/x dividers and compares value, at 40MHz and 20MHz.

FOSC/X	1/4	1/8	1/16	1/128
SCMP[1:0]	10,000,000	5,000,000	2,500,000	312,500
4	0.40us	0.80us	1.60us	12.80us
16	1.60us	3.20us	6.40us	51.20us
64	6.40us	12.80us	25.60us	204.80us
128	12.80us	25.60us	51.20us	409.60us

Table 14-5: Example the accumulated low level time at 40 MHz

FOSC/X	1/4	1/8	1/16	1/128
SCMP[1:0]	5,000,000	2,500,000	1,250,000	156,250
4	0.80us	1.60us	3.20us	25.60us
16	3.20us	6.40us	12.80us	102.40us
64	12.80us	25.60us	51.20us	409.60us
128	25.60us	51.20us	102.40us	819.20us

Table 14-6: Example the accumulated low level time at 20 MHz

Preliminary W79E225A/227A Data Sheet



14.11 PWM Power-down/Wakeup Procedures

The following flow diagrams describe the possible pwm procedures users require to take care prior to the product power-down/wake-up. The power-down procedure below will result in PWM output a low state after power-down. To output a high state, users may set PWMn to FFFh and initial state set to high through option bit (EPOL/OPOL).

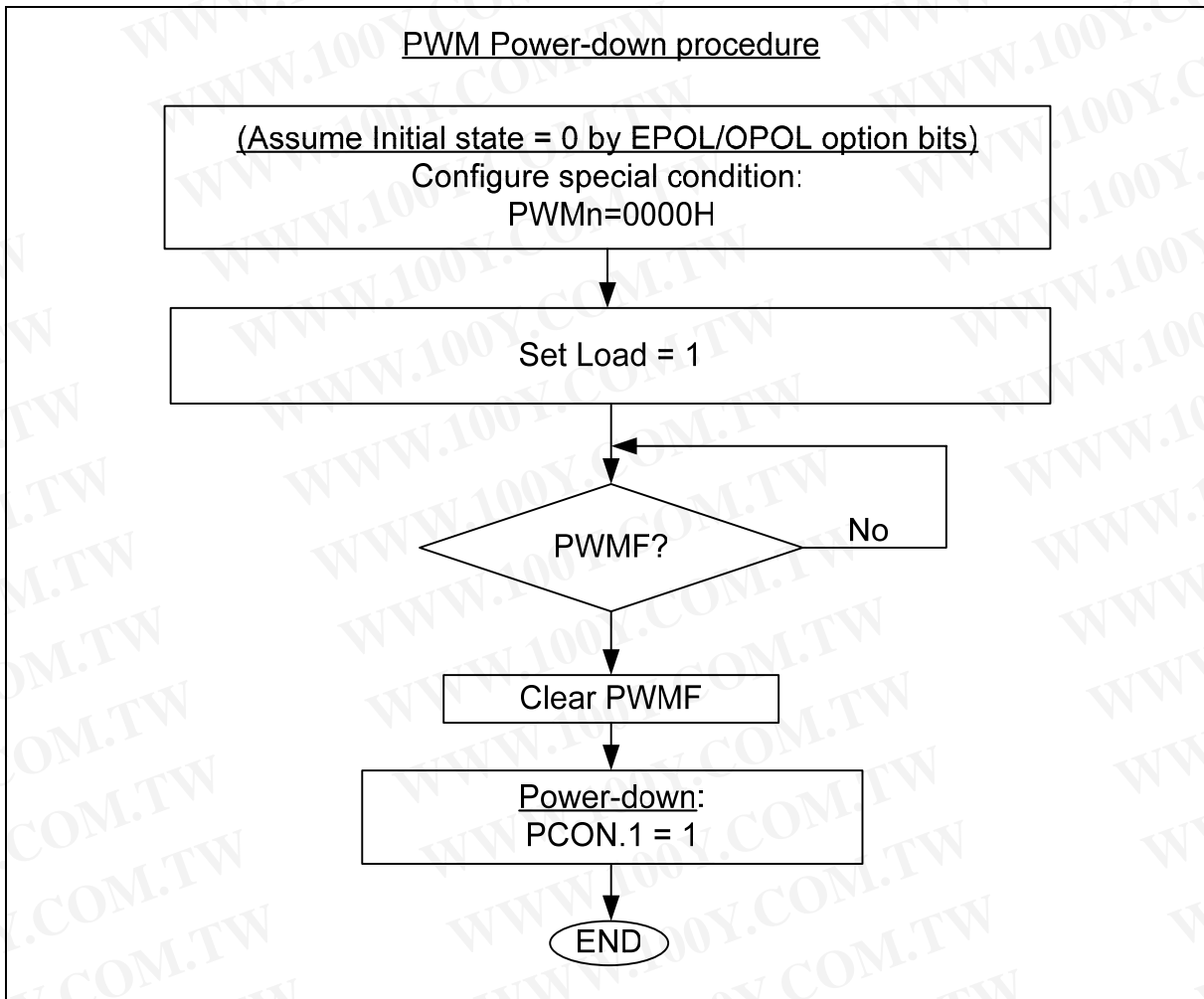


Figure 14-27: Example of PWM power-down procedure (pwm output low state)

Preliminary W79E225A/227A Data Sheet

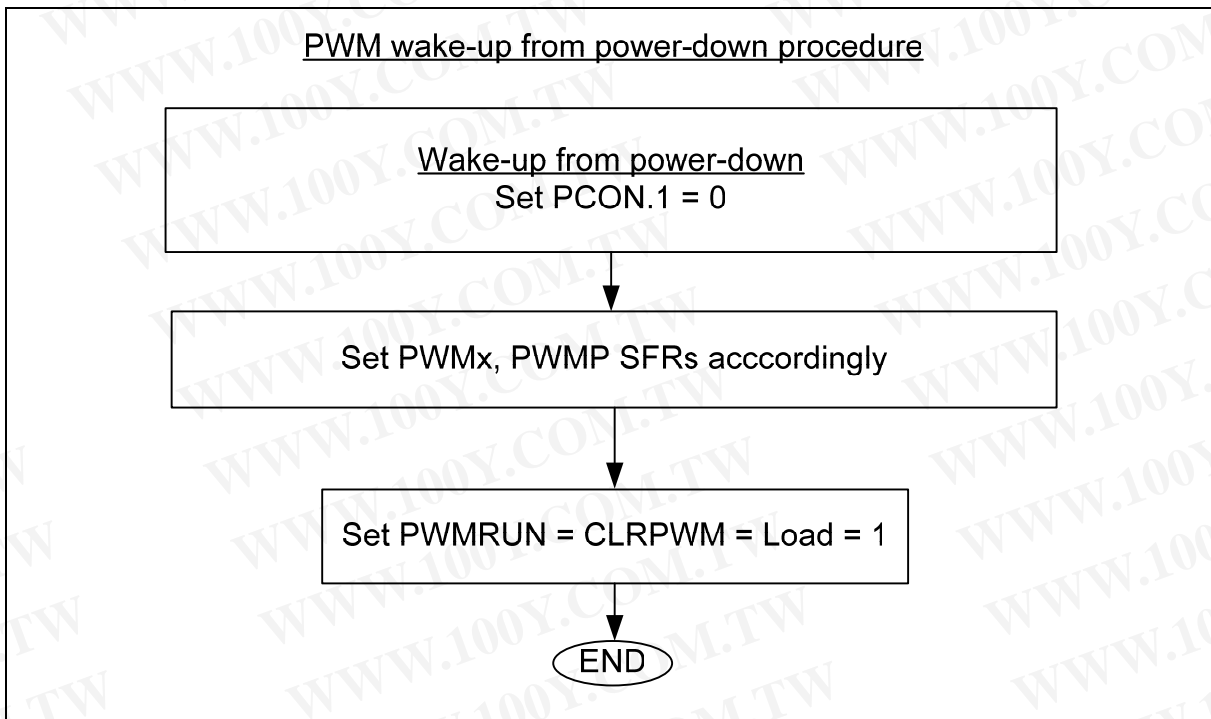


Figure 14-28: Example of PWM wake-up from power-down procedure

Preliminary W79E225A/227A Data Sheet



15. MOTION FEEDBACK MODULE

Motion feedback module is a peripheral module designed for motion feedback applications. This module includes two sub-modules:

- Input Capture Module (IC).
- Quadrature Encoder Interface (QEI).

There are three 16-bit registers cascaded by two 8-bit SFR in motion feedback module, but with different definitions in each sub-module. Together with Timer 3, these modules provide a number of options for motion and control applications. Most of the features for the QEI and IC sub-modules are fully programmable thus making a flexible peripheral structure that can accommodate a wide range of uses. A simplified block diagram of the entire Motion Feedback module is shown in Figure 15-2.

Note: The input pins are common to the IC and QEI sub-modules, only one of these two sub-modules may be used at any given time. IC sub-module is the default value upon reset.

15.1 Input Capture Module (IC)

The capture modules are function to detect and measure pulse width and period of a square wave.

It supports 3 capture inputs and digital noise rejection filter. The modules are configured by CAPCON0 and CAPCON1 SFR registers. Input Capture 0, 1 & 2 have their own edge detector but share with one timer i.e. Timer 3. The Input Capture pins structure are Schmitt trigger. For this operation it basically consists of;

- 3 capture module function blocks.
- Timer 3 block.

Each capture module block consists of 2 bytes of capture registers, noise filter and programmable edge triggers. Noise Filter is used to filter the unwanted glitch or pulse on the trigger input pin.

The noise filter can be enabled through bit ENFx (CAPCON1). If enabled, the capture logic required to sample 4 consecutive same capture input value in order to recognize an edge as a capture event. A possible implementation of digital noise filter is as follow; the interval between pulses requirement for input capture is 1 machine cycle width, which is the same as the pulse width required to guarantee a trigger for all trigger edge mode. For less than 3 system clocks, anything less than 3 clocks will not have any trigger and pulse width of 3 or more but less than 4 clocks will trigger but will not guarantee 100% because input sampling is at stage C3 of the machine cycle.

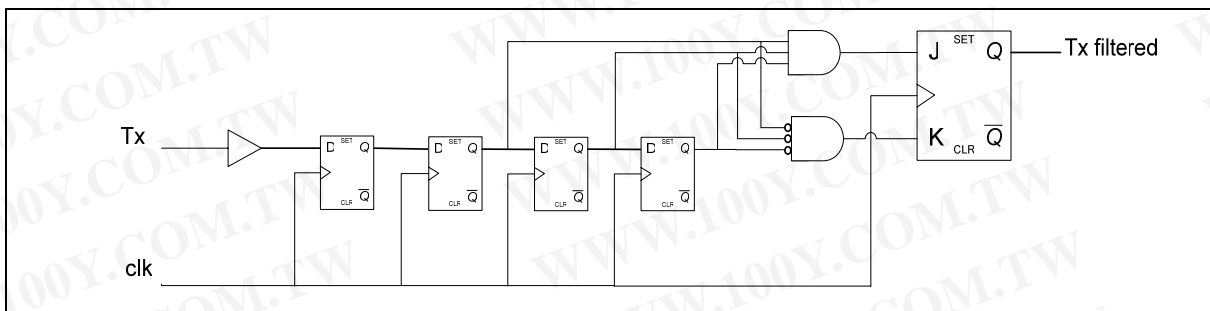


Figure 15-1: Noise Filter

Preliminary W79E225A/227A Data Sheet



The trigger option is programmable through CCTx [1:0] (CAPCON0). It supports positive edge, negative edge and both edge triggers. Each capture module consists of an enable, ICEN0~2. [Note: x=0, 1, 2 for capture 0, 1, 2 block].

Capture blocks are triggered by external pins IC0, IC1 and IC2, respectively. If ICENx is enabled, each time the external pin triggers, the content of the free running 16 bits counter, TL3 & TH3 (from Timer 3 block) will be captured/transfered into the corresponding capture registers, CCLx and CCHx. This action also causes the corresponding CPTFx flag bit in CAPCON1 to be set, and generate an interrupt (if enabled by ECPTF bit in SFR, EIE1.4). The CPTF0-2 flags are logical "OR" to the interrupt module. Input Capture 0~2 share one interrupt named Capture Interrupt. Flag is set by hardware and cleared by software.

Setting the T3CR bit (T3MOD.3), will allow hardware to reset timer 3 automatically after the value of TL3 and TH3 have been captured. Priority is given to T3CR to reset counter after capture the timer value into the capture register. When CMP/RL3 = 0 (reload mode, with T3CR=0 and ENLD=1), RCAP3 will be loaded into Timer 3 counter upon overflow. While the rest of the condition of combination of setting for T3CR and ENLD will reset the counter to 0000H.

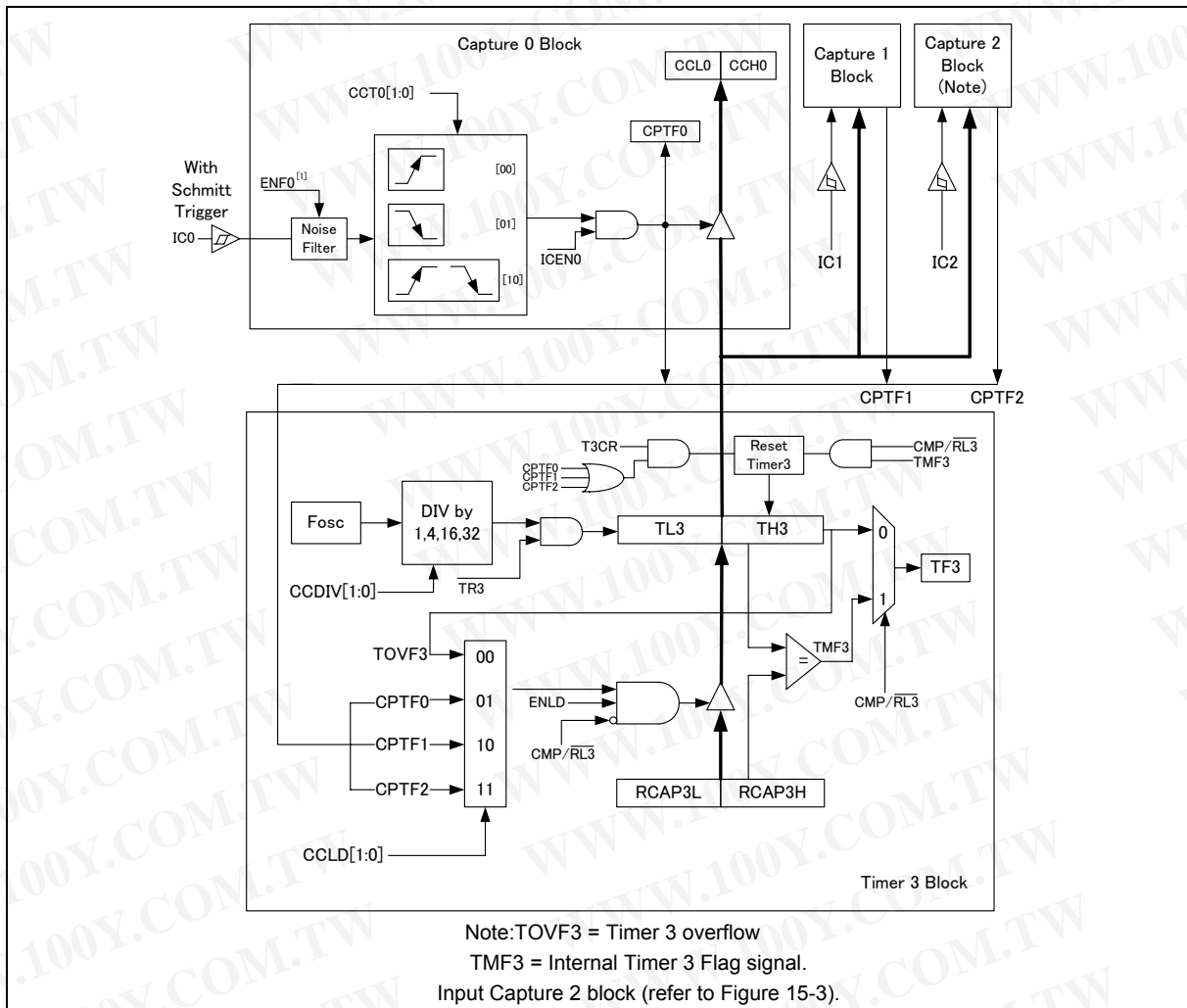


Figure 15-2: Timer3/Capture/Compare/Reload modules

Preliminary W79E225A/227A Data Sheet

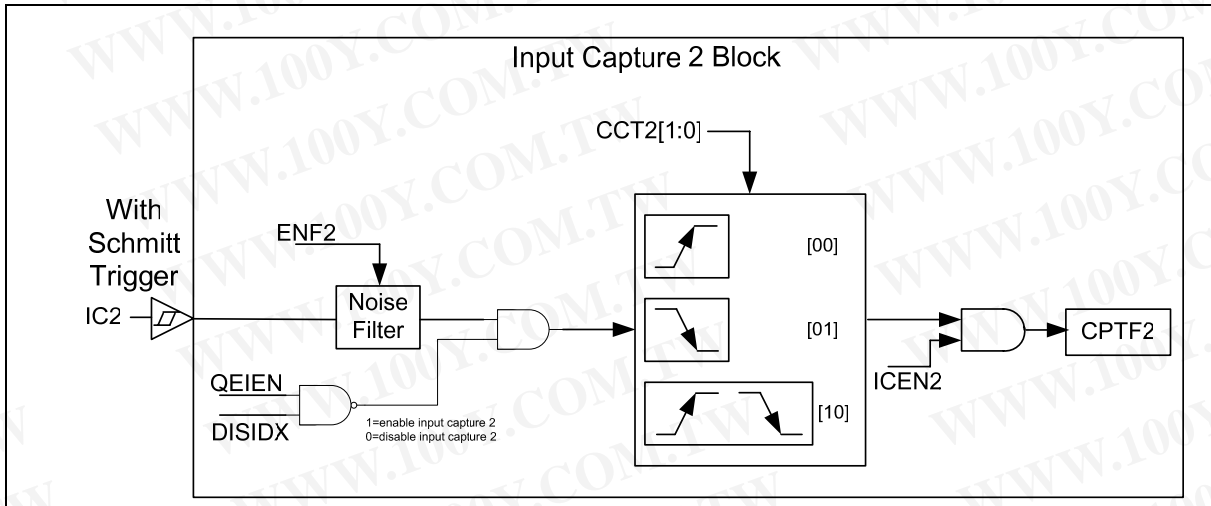


Figure 15-3: Input Capture 2 block diagram

Note: When QEI enabled (QEIEN=1), **input capture 2 (IC2)** still can detect edge changes.

The following table shows the bits setting for enabling input capture 2 edge detection.

QEIEN	DISIDX	ICEN2	INPUT CAPTURE 2 EDGE DETECTION
0	X(don't care)	0	Disabled.
		1	Enabled.
1	0	0	Disabled.
		1	Enabled.
1	1	X	Disabled,

勝特力材料 886-3-5753170
 勝特力电子(上海) 86-21-34970699
 勝特力电子(深圳) 86-755-83298787
[Http://www.100y.com.tw](http://www.100y.com.tw)

Preliminary W79E225A/227A Data Sheet

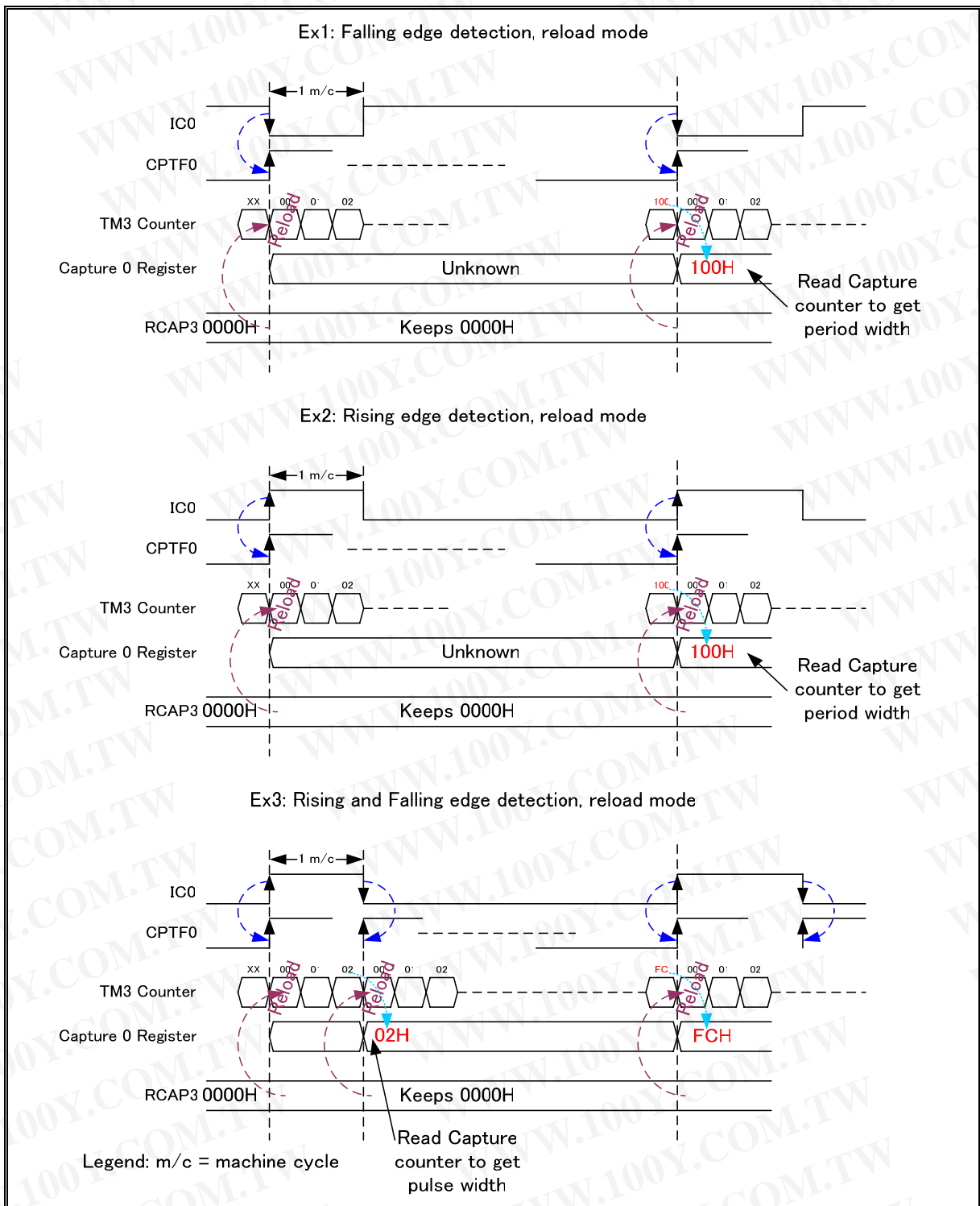


Figure 15-4: Timing diagram for Input Capture

Preliminary W79E225A/227A Data Sheet

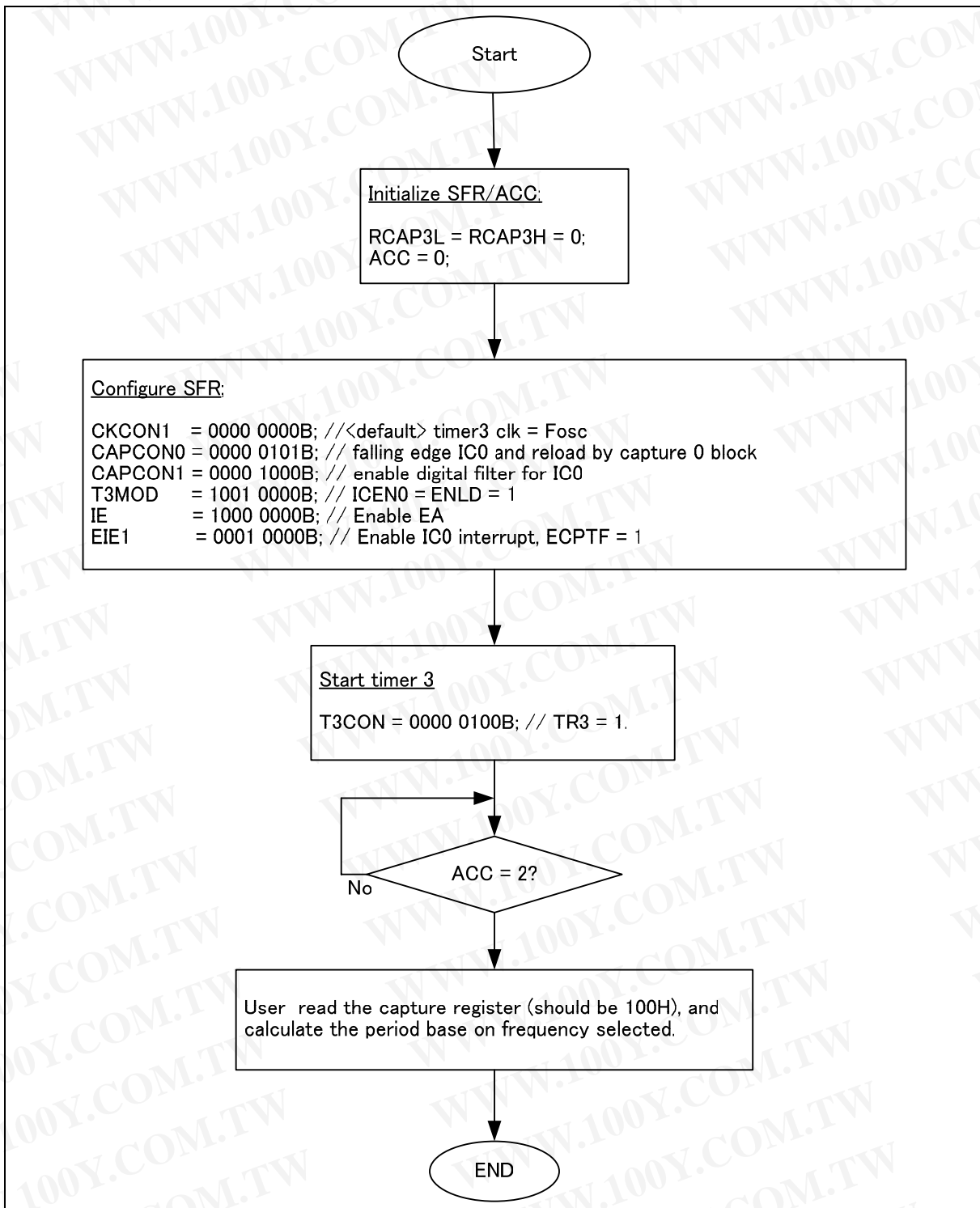


Figure 15-5: Program flow for measurement with IC0 between pulses with falling edge detection (ACC is incremented in interrupt service routine).

Preliminary W79E225A/227A Data Sheet

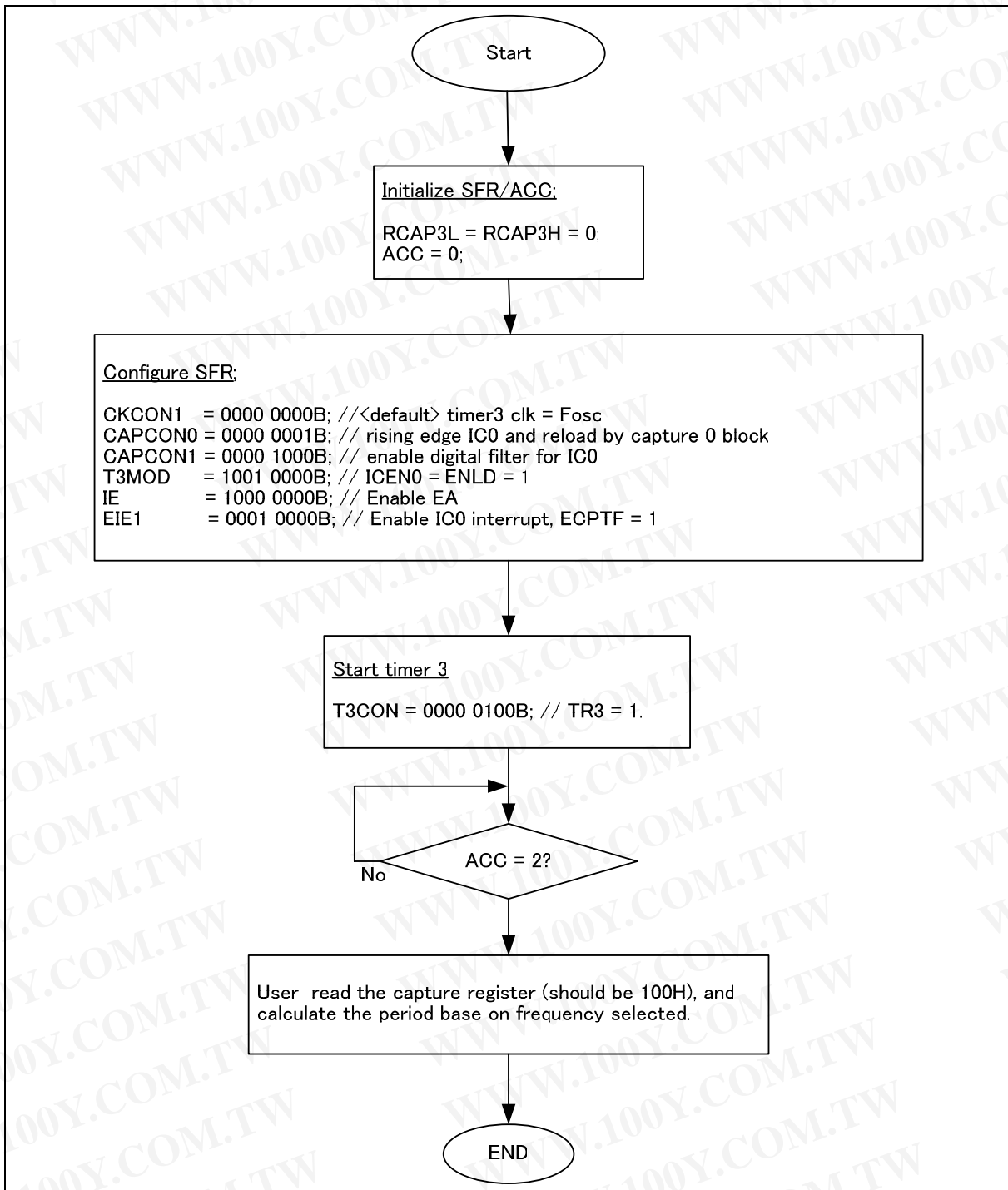


Figure 15-6: Program flow for measurement with IC0 between pulses with rising edge detection (ACC is incremented in interrupt service routine).

Preliminary W79E225A/227A Data Sheet

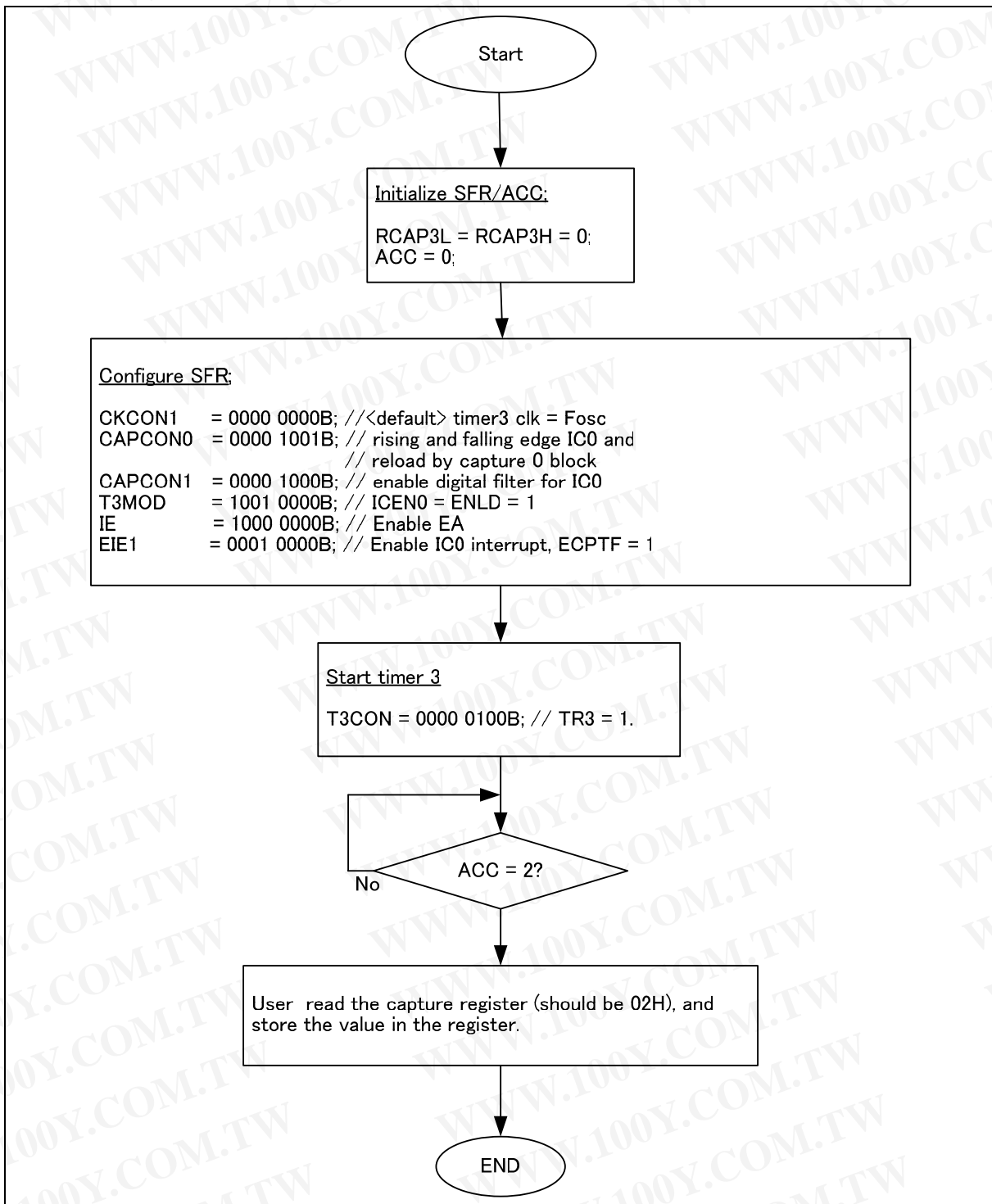


Figure 15-7: Program flow for measurement with IC0 pulse width with rising and falling edge detection (ACC is incremented in interrupt service routine).

Preliminary W79E225A/227A Data Sheet

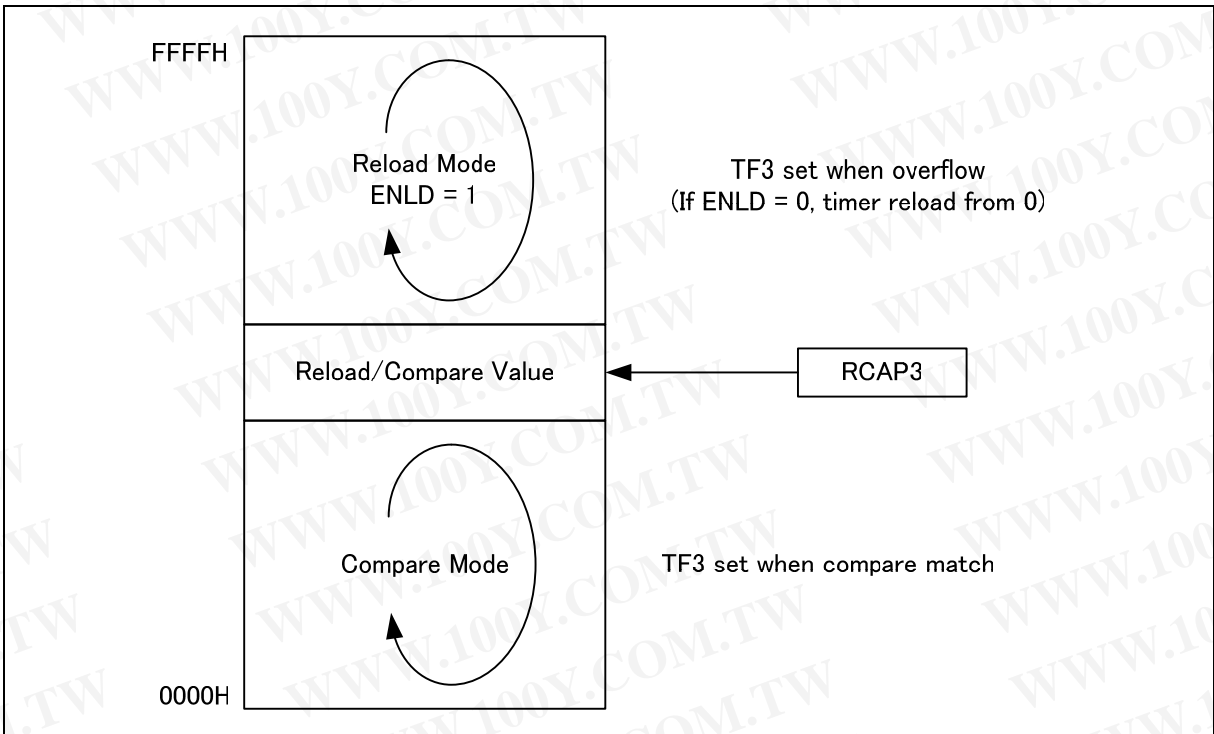


Figure 15-8: Compare/Reload Function

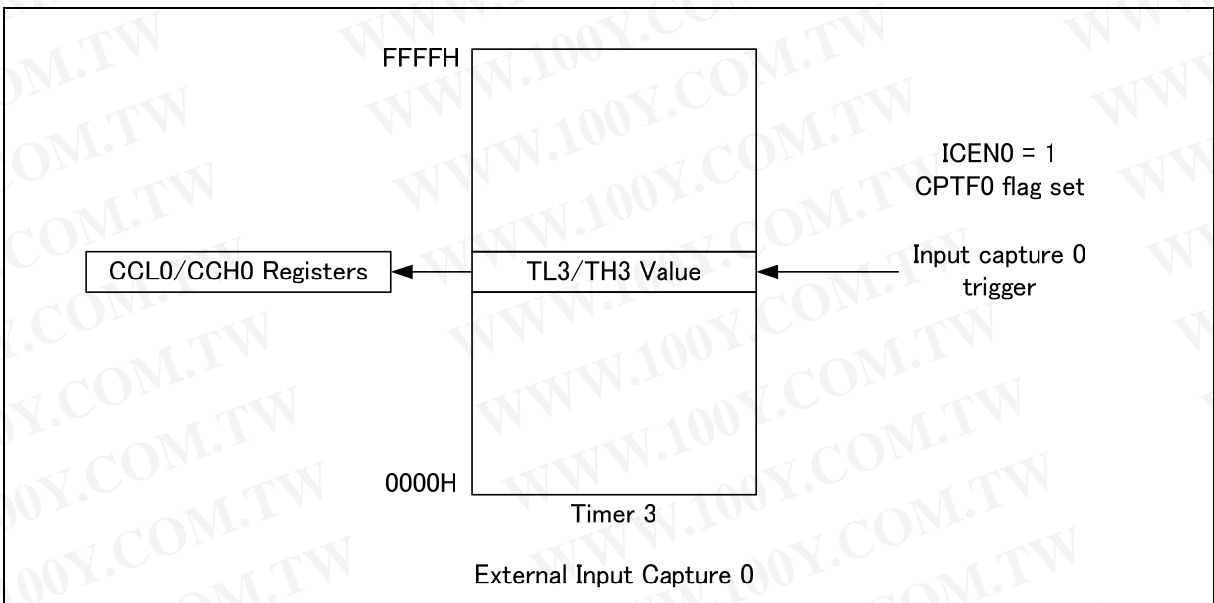


Figure 15-9: Input Capture 0 Triggers

Preliminary W79E225A/227A Data Sheet



15.1.1 Compare Mode

Timer 3 can be configured for compare mode. The compare mode is enabled by setting the $\overline{\text{CMP/RL3}}$ bit to 1 in the T3CON register. RCAP3 will serve as a compare register. As Timer 3 counting up, upon matching with RCAP3 value, TF3 will be set (which will generate an interrupt request if enable Timer 3 interrupt ET3 is enabled) and the timer reload from 0 and starts counting again.

15.1.2 Reload Mode

Timer 3 can be also be configured for reload mode. The reload mode is enabled by clearing the $\overline{\text{CMP/RL3}}$ bit to 0 in the T3CON register. In this mode, RCAP serves as a reload register. When timer 3 overflows, a reload is generated that causes the contents of the RCAP3L and RCAP3H registers to be reloaded into the TL3 and TH3 registers, if ENLD is set. TF3 flag is set, and interrupt request is generated if enable Timer 3 interrupt ET3 is enabled. However, if ENLD = 0, timer 3 will be reload with 0, and count up again.

Alternatively, other reload source is also possible by the input capture pins by configuring the CCLD [1:0] bit. If the ICENx bit is set, then a trigger of external IC0, IC1 or IC2 pin (respectively) will also cause a reload. This action also sets the CPTF0, CPTF1 or CPTF2 flag bit in SFR CAPCON1, respectively.

15.2 Quadrature Encoder Interface (QEI)

The Quadrature Encoder Interface (QEI) decodes speed of rotation and motion sensor information. It can be used in any application that uses quadrature encoder for feedback. The QEI block supports the features as below:

- Two QEI phase inputs: QEA and QEB.
- 16-bit Up/Down Pulse Counter (PLSCNT) with 16-bit read access latched buffer (PCNT).
- Four pulse counter update modes:
 - Mode0: x4 free-counting mode.
 - Mode1: x2 free-counting mode.
 - Mode2: x4 compare-counting mode.
 - Mode3: x2 compare-counting mode.
- Three interrupt sources:
 - Pulse counter interrupt (CPTF0/QEIF).
 - Direction index of motion detection with direction interrupt (CPTF1/DIRF).
 - Input Capture 2 interrupt (CPTF2).
- The three 16-bit SFRs in QEI share the same addresses with the capture counter registers.

INPUT CAPTURE MODE	QEI MODE
Capture0 Counter Register (CCH0, CCL0)	Pulse Read Counter Register (PCNTH, PCNTL)
Capture1 Counter Register (CCH1, CCL1)	Pulse Counter Register (PLSCNTH, PLSCNTL)
Capture2 Counter Register (CCH2, CCL2)	Maximum Counter Register (MAXCNTH, MAXCNTL)

Preliminary W79E225A/227A Data Sheet



In QEI mode, IC1 and IC0 work as QEB and QEA inputs respectively. QEA and QEB accept the outputs from a quadrature encoded source, such as incremental optical shaft encoder. Two channels, A and B, nominally 90 degrees out of phase, are required.

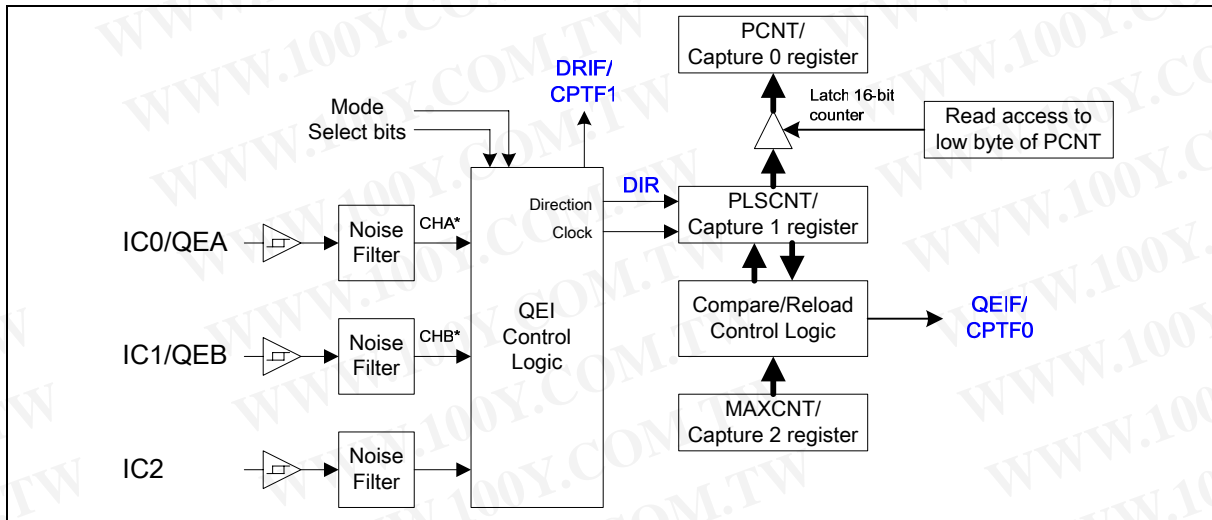
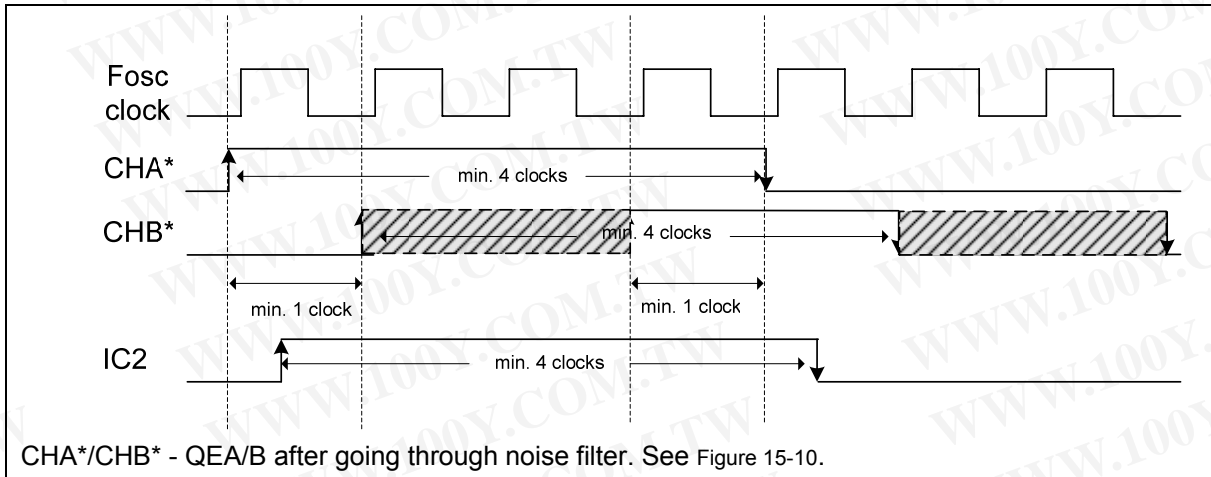


Figure 15-10: QEI Block Diagram

The QEI control logic detects the relation of phase lead/lag between QEA and QEB to produce direction index (DIR) and clock to control pulse counter. The comparator/reload logic compares the pulse counter and maximum count and control the function of reloading pulse counter in compare-counting mode. In Free-counting mode, the pulse counter will counts until the 65535 value. In Compare-counting mode, the pulse counter will count to MAXCNT value. The value of the pulse counter is not affected during QEI mode changes, nor when the QEI is disabled altogether.

In QEI mode, when IC2 edge (rising/falling edge is programmable through CAPCON0) has been detected, CPTF2 will be set (if QEIEN=ICEN2=1 and DISIDX=0), and the only way to clear it is by software.

Preliminary W79E225A/227A Data Sheet



CHA*/CHB* - QEA/B after going through noise filter. See Figure 15-10.

Figure 15-11: QEA/QEB/IC2 timing requirement.

15.2.1 Free-counting mode

Pulse counter up or down counts according to direction index (DIR). When overflow or underflow occurs, it sets flag QEIF.

15.2.2 Compare-counting mode

Pulse counter up or down counts according to direction index (DIR). On up counting, QEIF will be asserted when PLSCNT overflows from MAXCNT to zero on **the next QEA edge for x2 counting mode, and on QEA/QEB edge for x4 counting mode**. On down counting, QEIF will be asserted when PLSCNT underflows from zero to MAXCNT **on the next QEA edge for x2 counting mode, and on QEA/QEB edge for x4 counting mode**. This mode provides the position of a rotor to user. If a quadrature encoder output 1024 pulses to QEA per round, user can write MAXCNT with 4095 in x4 mode or 2047 in x2 mode and reset PLSCNT at initial before rotor runs. When the PLSCNT reaches MAXCNT, it means rotor runs one round on next QEA edge.

15.2.3 X2/X4 Counting modes

In **X2 counting mode**, the pulse counter increases or decreases one on every QEA edge based on the phase relationship of QEA and QEB signals, however:-

In **X4 counting mode**, the pulse counter increases or decreases one on every QEA and QEB edge based on the phase relationship of QEA and QEB signals.

15.2.4 Direction of Count

If QEA lead QEB, the pulse counter is increased by 1. If QEA lags QEB, the pulse counter is decreased by 1. The QEI control logic generates a signal that sets the DIR bit (QEICON.3); this in turn determines the direction of the count. When QEA leads QEB, DIR is set (= 1), and the position counter increments on every active edge. When QEA lags QEB, DIR is cleared, and the position counter decrements on every active edge. Refer to below table.

Preliminary W79E225A/227A Data Sheet



CURRENT SIGNAL DETECTED	PREVIOUS SIGNAL DETECTED				COUNTING CONTROL (DIR)
	RISING		FALLING		
	QEA	QEB	QEA	QEB	
QEA rising				✓	INC (1)
		✓			DEC (0)
QEA falling				✓	DEC (0)
		✓			INC (1)
QEB rising	✓				INC (1)
			✓		DEC (0)
QEB falling			✓		INC (1)
	✓				DEC (0)

Table 15-1: Direction of count

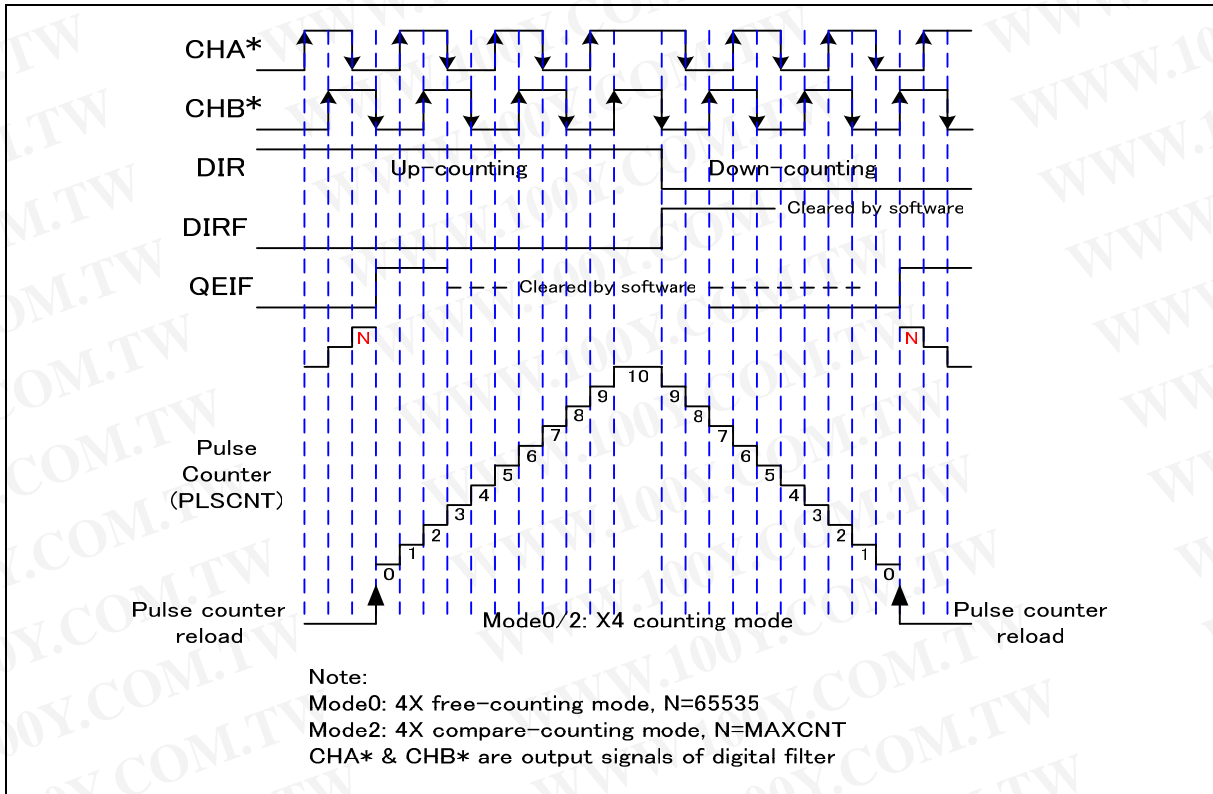


Figure 15-12: X4 Counting Mode

QEI x4 Counting mode provides for a finer resolution of the rotor position, since the counter increments or decrements more frequently for each QEA/QEB input pulse pair than in QEI x2 mode. This mode is selected by setting the QEI Mode Select bits to '00b' or '10b'. In this mode, the QEI logic detects every edge on every QEA and QEB input edges.

Preliminary W79E225A/227A Data Sheet

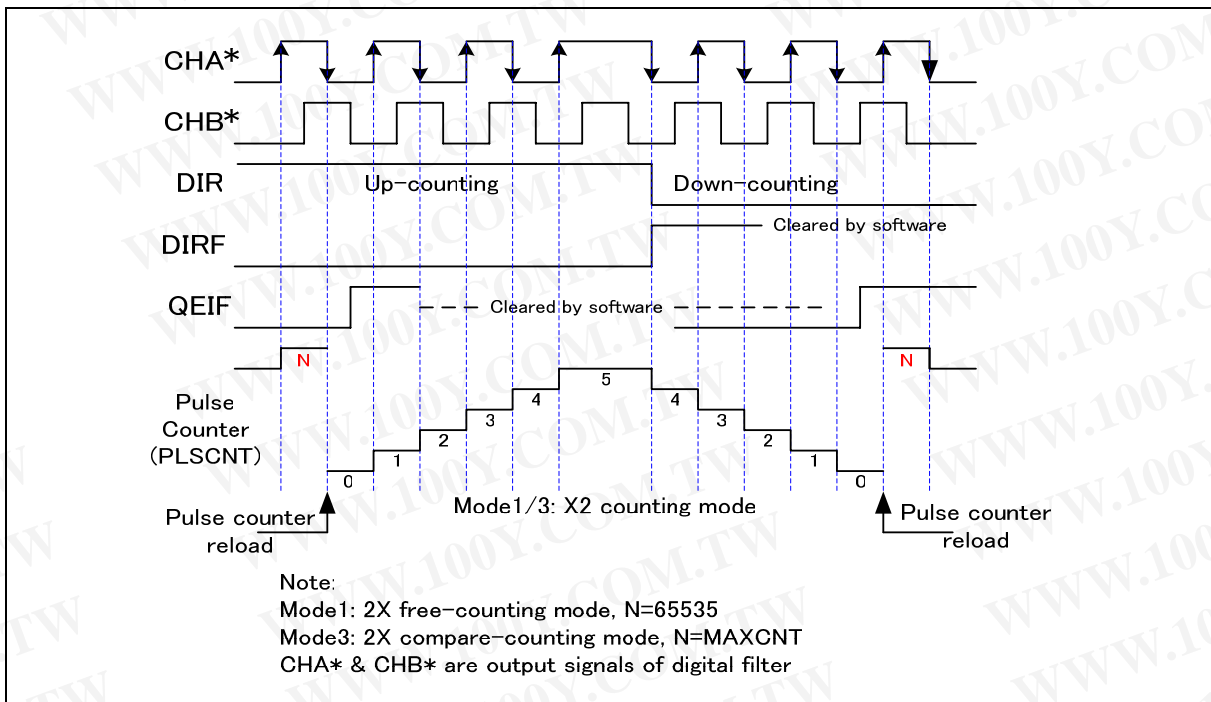


Figure 15-13: X2 Counting Mode

QEI x2 Counting mode is selected by setting the QEI Mode Select bits (QEIM1:QEIM0) to '01b' or '11b'. In this mode, the QEI logic detects every edge on the QEA input only. Every rising and falling edge on the QEA signal clocks the pulse counter.

15.2.5 Up-Counting

Under the forward direction the DIR bit is 1 when up-counting. Software needs to clear the QEIF flag. For the free-counting mode counter will counts until it matches 65535 and next edges on the forward direction will set the QEIF high and reset the PLSCNT to zero. For compare-counting mode counter counts until the MAXCNT value and reload the counter to zero and starts counting up. Changes of direction trigger a down-count and PLSCNT decreasing in counter value. For X2 mode, only CHA edge will set QEIF while for X4 mode both CHA and CHB edges will set QEIF.

15.2.6 Down-Counting

A change of direction will causes the counter to down-count for x2/x4 counting mode. It is indicated with the DIR bit as 0 and DIRF flag is set to 1. At this stage the PLSCNT will starts to down-count from the MAXCNT value for compare-counting mode and while in free-counting mode it will starts to down-count from 65535. The pulse counter will reload with MAXCNT when it down counts to zero in compare-counting mode and sets QEIF to high in the next edge. In free-counting mode the counter will count to 16 bits value before it reload the pulse counter with the value 65535 and set the QEIF high in the next edge. For X2 mode, only CHA edge will set QEIF while for X4 mode both CHA and CHB edges will set QEIF.

勝特力材料 886-3-5753170
 勝特力电子(上海) 86-21-34970699
 勝特力电子(深圳) 86-755-83298787
[Http://www.100y.com.tw](http://www.100y.com.tw)

Publication Release Date: December 14, 2007

Preliminary W79E225A/227A Data Sheet



16. SERIAL PORT

The W79E225/227 has two enhanced serial ports that are functionally similar to the serial port of the original 8052 family. Both the serial ports are full-duplex ports, and the W79E225/227 provides additional features, such as Frame Error Detection and Automatic Address Recognition. The serial ports are capable of synchronous and asynchronous communication. In synchronous mode, the W79E225/227 generates the clock and operates in half-duplex mode. In asynchronous mode, the serial ports can simultaneously transmit and receive data. The transmit registers and the receive buffers are both addressed as SBUF (SBUF1 for the second serial port), but any write to SBUF/SBUF1 writes to the transmit register while any read from SBUF/SBUF1 reads from the receive buffer. Both serial ports can operate in four modes, as described below. The descriptions are for serial port 0, however, it also apply to the second serial port.

16.1 Mode 0

This mode provides half-duplex, synchronous communication with external devices. In this mode, serial data is transmitted and received on the RXD line, and the W79E225/227 provides the shift clock on TxD, whether the device is transmitting or receiving. Eight bits are transmitted or received per frame, LSB first. The baud rate is 1/12 or 1/4 of the oscillator frequency, as determined by the SM2 bit (SCON.5; 0 = 1/12; 1 = 1/4). This programmable baud rate is the only difference between the standard 8051/52 and the W79E225/227 in mode 0.

Any write to SBUF starts transmission. The shift clock is activated, and data is shifted out on RxD until all eight bits are transmitted. If SM2 is 1, the data appears on RxD one clock period before the falling edge of the shift clock on TxD. Then, the clock remains low for two clock periods before going high again. If SM2 is 0, the data appears on RxD three clock periods before the falling edge of the shift clock on TxD, and the clock on TxD remains low for six clock periods before going high again. This ensures that, at the receiving end, the data on the RXD line can be clocked on the rising edge of the shift clock or latched when the clock is low. The TI flag is set high in C1 following the end of transmission. The functional block diagram is shown below.

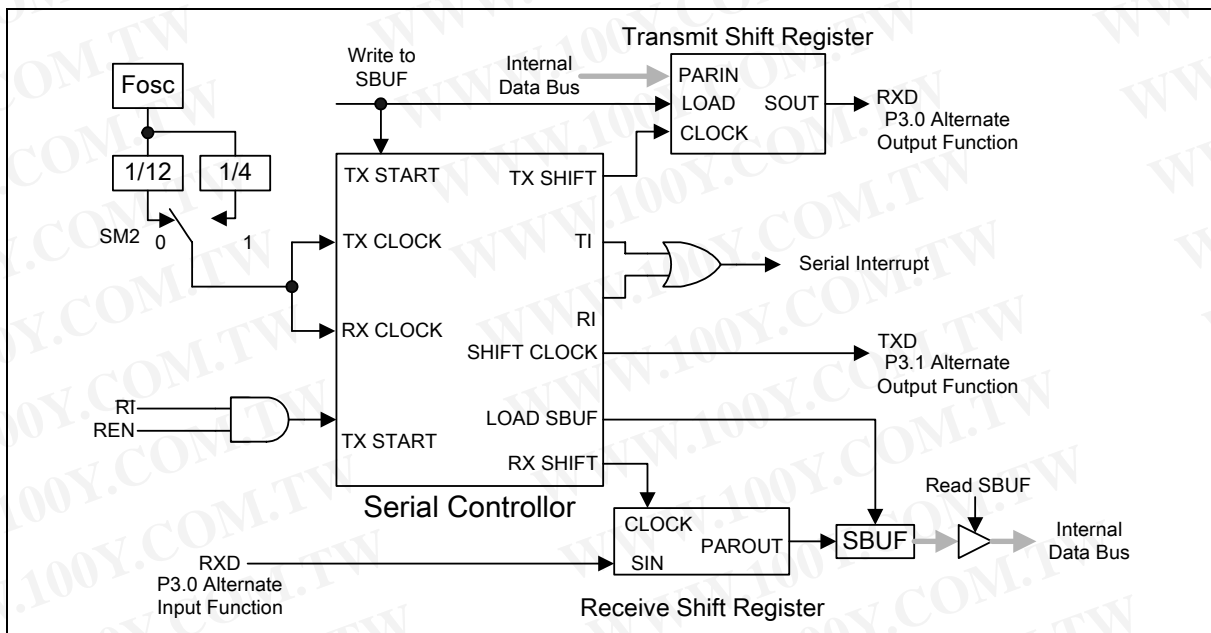


Figure 16-1 Serial Port Mode 0

Preliminary W79E225A/227A Data Sheet



The serial port receives data when REN is 1 and RI is zero. The shift clock (TxD) is activated, and the serial port latches data on the rising edge of the shift clock. The external device should, therefore, present data on the falling edge of the shift clock. This process continues until all eight bits have been received. The RI flag is set in C1 following the last rising edge of the shift clock, which stops reception until RI is cleared by the software.

16.2 Mode 1

In Mode 1, full-duplex asynchronous communication is used. Frames consist of ten bits transmitted on TXD and received on RXD. The ten bits consist of a start bit (0), eight data bits (LSB first), and a stop bit (1). When receiving, the stop bit goes into RB8 in SCON. The baud rate in this mode is 1/16 or 1/32 of the Timer 1 overflow, and since Timer 1 can be set to a wide range of values, a wide variation of baud rates is possible.

Transmission begins with a write to SBUF but is synchronized with the divide-by-16 counter, not the write to SBUF. The start bit is put on TxD at C1 following the first roll-over of the divide-by-16 counter, and the next bit is placed at C1 following the next rollover. After all eight bits are transmitted, the stop bit is transmitted. The TI flag is set in the next C1 state, or the tenth rollover of the divide-by-16 counter after the write to SBUF.

Reception is enabled when REN is high, and the serial port starts receiving data when it detects a falling edge on RXD. The falling-edge detector monitors the RXD line at 16 times the selected baud rate. When a falling edge is detected, the divide-by-16 counter is reset to align the bit boundaries with the rollovers of the counter. The 16 states of the counter divide the bit time into 16 slices. Bit detection is done on a best-of-three basis using samples at the 8th, 9th and 10th counter states. If the first bit after the falling edge is not 0, the start bit is invalid, reception is aborted immediately, and the serial port resumes looking for a falling edge on RXD. If a valid start bit is detected, the rest of the bits are shifted into SBUF. After shifting in eight data bits, the stop bit is received. Then, if;

1. RI is 0, and
2. SM2 is 0 or the received stop bit is 1,

the stop bit goes into RB8, the eight data bits go into SBUF, and RI is set. Otherwise, the received frame is lost. In the middle of the stop bit, the receiver resumes looking for a falling edge on RXD.

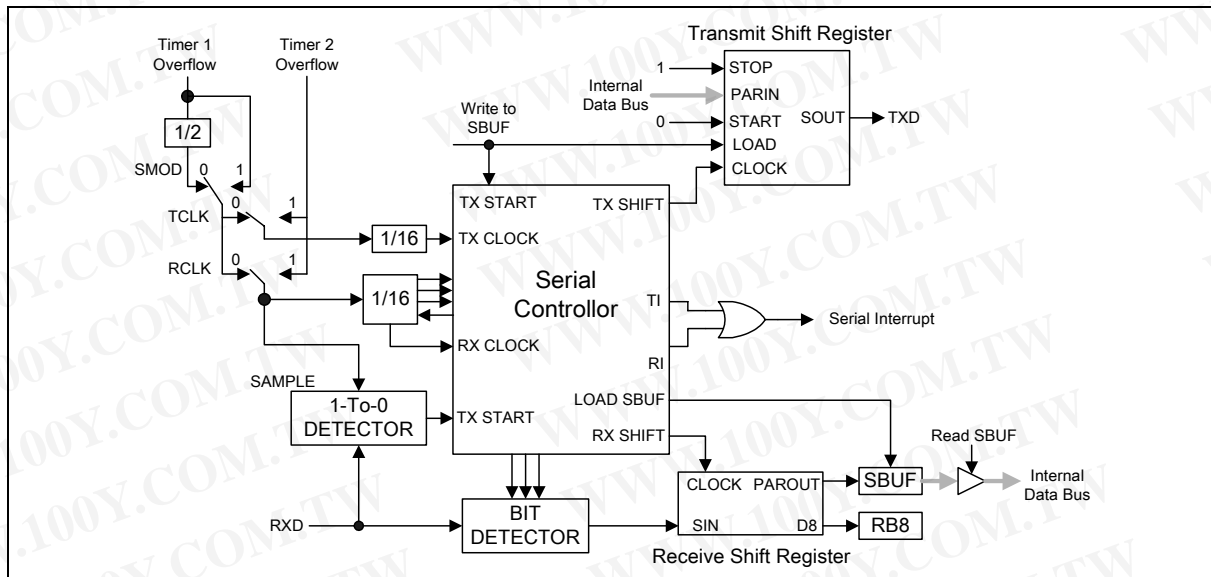


Figure 16-2 Serial Port Mode 1

Preliminary W79E225A/227A Data Sheet



16.3 Mode 2

In Mode 2, full-duplex asynchronous communication is used. Frames consist of eleven bits: one start bit (0), eight data bits (LSB first), a programmable ninth bit (TB8) and a stop bit (0). When receiving, the ninth bit is put into RB8. The baud rate is 1/16 or 1/32 of the oscillator frequency, as determined by SMOD in PCON.

Transmission begins with a write to SBUF but is synchronized with the divide-by-16 counter, not the write to SBUF. The start bit is put on TxD pin at C1 following the first roll-over of the divide-by-16 counter, and the next bit is placed on TxD at C1 following the next rollover. After all nine bits of data are transmitted, the stop bit is transmitted. The TI flag is set in the next C1 state, or the 11th rollover of the divide-by-16 counter after the write to SBUF.

Reception is enabled when REN is high, and the serial port starts receiving data when it detects a falling edge on RxD. The falling-edge detector monitors the RxD line at 16 times the selected baud rate. When a falling edge is detected, the divide-by-16 counter is reset to align the bit boundaries with the rollovers of the counter. The 16 states of the counter divide the bit time into 16 slices. Bit detection is done on a best-of-three basis using samples at the 8th, 9th and 10th counter states. If the first bit after the falling edge is not 0, the start bit is invalid, reception is aborted, and the serial port resumes looking for a falling edge on RxD. If a valid start bit is detected, the rest of the bits are shifted into SBUF. After shifting in nine data bits, the stop bit is received. Then, if;

1. RI is 0, and
2. SM2 is 0 or the received stop bit is 1,

the stop bit goes into RB8, the eight data bits go into SBUF, and RI is set. Otherwise, the received frame may be lost. In the middle of the stop bit, the receiver resumes looking for a falling edge on RxD. The functional description is shown in the figure below.

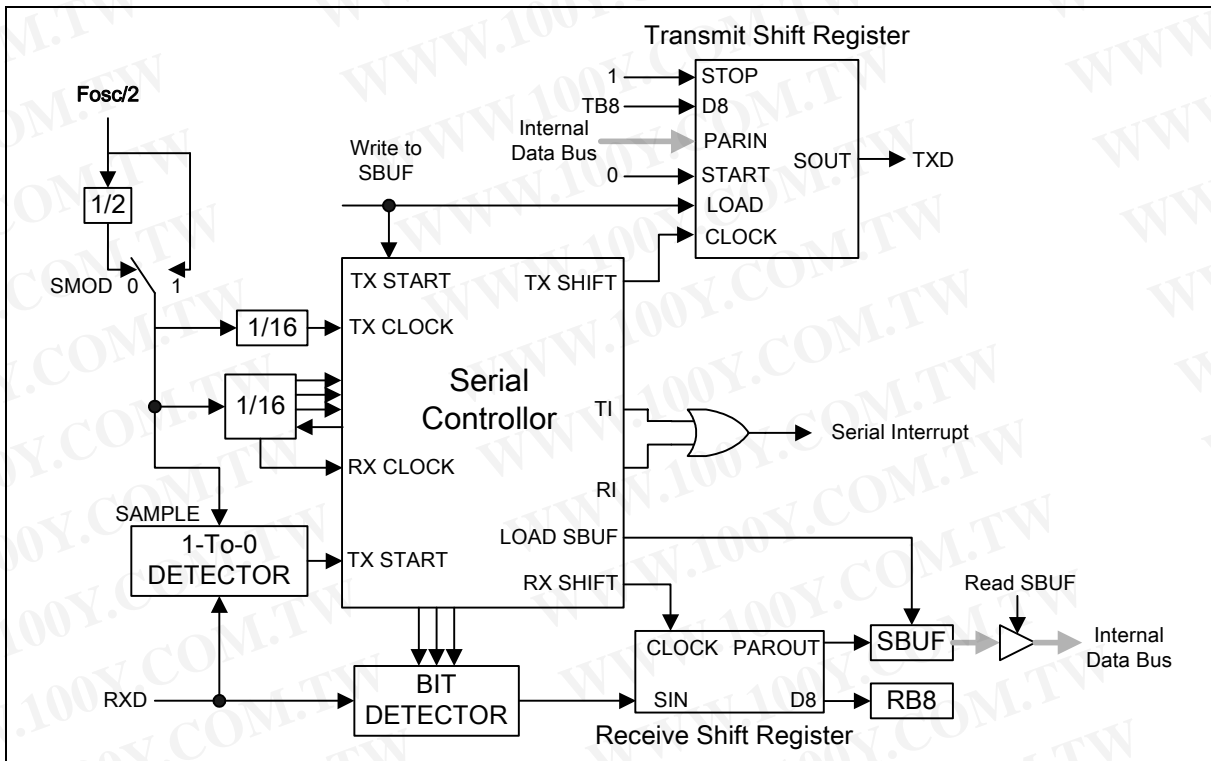


Figure 16-3 Serial Port Mode 2

Preliminary W79E225A/227A Data Sheet



16.4 Mode 3

This mode is the same as Mode 2, except that the baud rate is programmable. The program must select the mode and baud rate in SCON before any communication can take place. Timer 1 should be initialized if Mode 1 or Mode 3 will be used.

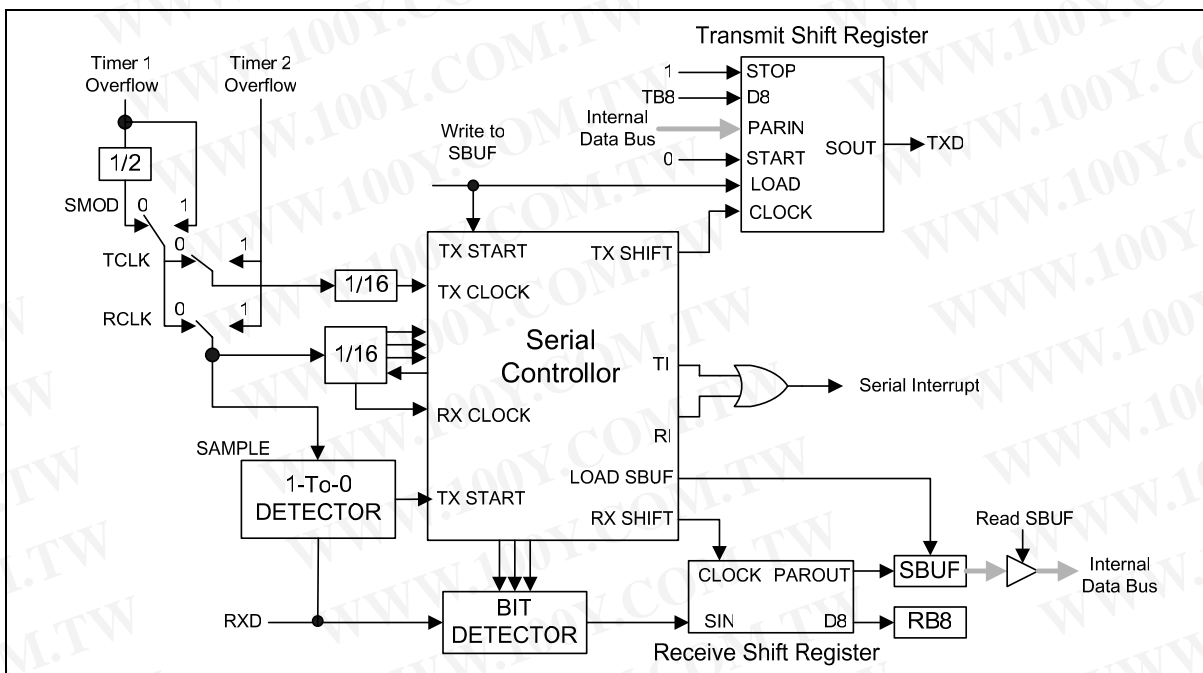


Figure 16-4 Serial Port Mode 3

SM0	SM1	MODE	TYPE	BAUD CLOCK	FRAME SIZE	START BIT	STOP BIT	9TH BIT FUNCTION
0	0	0	Synch.	4 or 12 OSC	8 bits	No	No	None
0	1	1	Asynch.	Timer 1 or 2	10 bits	1	1	None
1	0	2	Asynch.	32 or 64 OSC	11 bits	1	1	0, 1
1	1	3	Asynch.	Timer 1 or 2	11 bits	1	1	0, 1

Table 16-1: Serial Ports Modes

16.5 Framing Error Detection

A frame error occurs when a valid stop bit is not detected. This could indicate incorrect serial data communication. Typically, a frame error is due to noise or contention on the serial communication line. The W79E225/227 has the ability to detect framing errors and set a flag that can be checked by software.

The frame error FE (FE_1) bit is located in SCON.7. This bit is SM0 in the standard 8051/52 family, but, in the W79E225/227, it serves a dual function and is called SM0/FE. There are actually two separate flags, SM0 and FE. The flag that is actually accessed as SCON.7 is determined by SMOD0 (PCON.6). When SMOD0 is set to 1, the FE flag is accessed. When SMOD0 is set to 0, the SM0 flag is accessed.

Preliminary W79E225A/227A Data Sheet



The FE bit is set to 1 by the hardware, but it must be cleared by the software. Once FE is set, any frames received afterwards, even those without errors, do not clear the FE flag. The flag has to be cleared by the software. Note that SMOD0 must be set to 1 while reading or writing FE.

16.6 Multiprocessor Communications

Multiprocessor communication is available in modes 1, 2 and 3 and makes use of the 9th data bit and the automatic address recognition feature. This approach eliminates the software overhead required to check every received address and greatly simplifies the program.

In modes 2 and 3, address bytes are distinguished from data bytes by 9th bit set, which is set high in address bytes. When the master processor wants to transmit a block of data to one of the slaves, it first sends the address of the target slave(s). The slave processors have already set their SM2 bits high so that they are only interrupted by an address byte. The automatic address recognition feature then ensures that only the addressed slave is actually interrupted. This feature compares the received byte to the slave's Given or Broadcast address and only sets the RI flag if the bytes match. This slave then clears the SM2 bit, clearing the way to receive the data bytes. The unaddressed slaves are not affected, as they are still waiting for their address.

In mode 1, the 9th bit is the stop bit, which is 1 in valid frames. Therefore, if SM2 is 1, RI is only set if a valid frame is received and if the received byte matches the Given or Broadcast address.

The master processor can selectively communicate with groups of slaves using the Given Address or all the slaves can be addressed together using the Broadcast Address. The addresses for each slave are defined by the SADDR and SADEN registers. The slave address is the 8-bit value specified in SADDR. SADEN is a mask for the value in SADDR. If a bit position in SADEN is 0, then the corresponding bit position in SADDR is a don't-care condition in the address comparison. Only those bit positions in SADDR whose corresponding bits in SADEN are 1 are used to obtain the Given Address. This provides flexibility to address multiple slaves without changing addresses in SADDR.

The following example shows how to setup the Given Addresses to address different slaves.

Slave 1:

```
SADDR 1010 0100
SADEN 1111 1010
Given  1010 0x0x
```

Slave 2:

```
SADDR 1010 0111
SADEN 1111 1001
Given  1010 0xx1
```

The Given Address for slaves 1 and 2 differ in the LSB. In slave 1, it is a don't-care, while, in slave 2, it is 1. Thus, to communicate with only slave 1, the master must send an address with LSB = 0 (1010 0000). Similarly, bit 1 is 0 for slave 1 and don't-care for slave 2. Hence, to communicate only with slave 2, the master has to transmit an address with bit 1 = 1 (1010 0011). If the master wishes to communicate with both slaves simultaneously, then the address must have bit 0 = 1 and bit 1 = 0. Since bit 3 is don't-care for both slaves, two different addresses can address both slaves (1010 0001 and 1010 0101).

The master can communicate with all the slaves simultaneously using the Broadcast Address. The Broadcast Address is formed from the logical OR of the SADDR and SADEN registers. The zeros in the result are don't-care values. In most cases, the Broadcast Address is FFh. In the previous case, the Broadcast Address is (1111111X) for slave 1 and (11111111) for slave 2.

The SADDR and SADEN registers are located at addresses A9h and B9h, respectively. These two registers default to 00h, so the Given Address and Broadcast Address default to XXXX XXXX (i.e., all bits don't-care), which effectively removes the multiprocessor communications feature

Preliminary W79E225A/227A Data Sheet



17. I2C SERIAL PORTS

The I2C bus uses two wires (SCL and SDA) to transfer information between devices connected to the bus. The main features of the I2C bus are:

- Bi-directional data transfer between masters and slaves.
- Multi-master bus (no central master).
- Arbitration between simultaneously transmitting masters without corruption of serial data on the bus.
- Serial clock synchronization allows devices with different bit rates to communicate via one serial bus.
- Serial clock synchronization can be used as a handshake mechanism to suspend and resume serial transfer.
- The I2C bus may be used for test and diagnostic purposes.

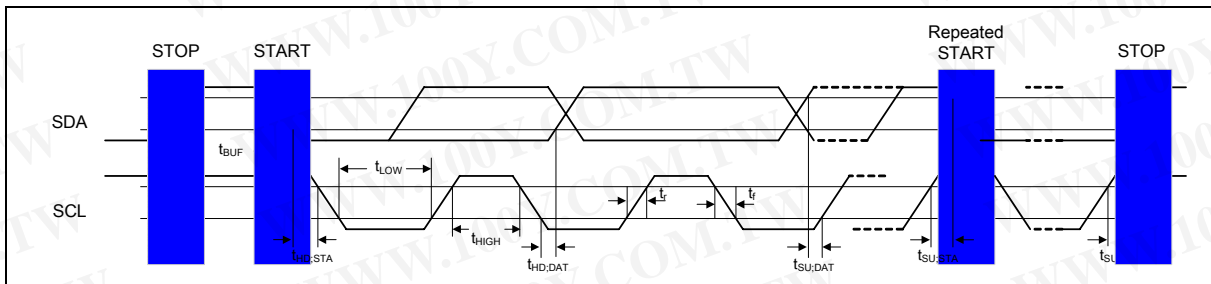


Figure 17-1: I2C Bus Timing

The device's on-chip I2C logic provides the serial interface that meets the I2C bus standard mode specification. The I2C logic handles bytes transfer autonomously. It also keeps track of serial transfers, and a status register (I2STATUS) reflects the status of the I2C bus.

The I2C port, SCL and SDA are at P2.6 and P2.7. When the I/O pins are used as I2C port, user must set the pins to logic high in advance. When I2C port is enabled by setting ENS to high, the internal states will be controlled by I2CON and I2C logic hardware. Once a new status code is generated and stored in I2STATUS, the I2C interrupt flag (SI) will be set automatically. If both EA and EI2C are also in logic high, the I2C interrupt is requested. The 5 most significant bits of I2STATUS stores the internal state code, the lowest 3 bits are always zero and the content keeps stable until SI is cleared by software.

17.1 SIO Port

The SIO port is a serial I/O port, which supports all transfer modes from and to the I2C bus. The SIO port handles byte transfers autonomously. To enable this port, the bit ENS1 in I2CON should be set to '1'. The CPU interfaces to the SIO port through the seven special function registers. The detail description of these registers can be found in the I2C Control registers section. The SIO H/W interfaces to the I2C bus via two pins: SDA (P2.7, serial data line) and SCL (P2.6, serial clock line). Pull up resistor is needed for Pin P2.6 and P2.7 for I2C operation as these are 2 open drain pins.

17.2 The I2C Control Registers

The I2C has 1 control register (I2CON) to control the transmit/receive flow, 1 data register (I2DAT) to buffer the Tx/Rx data, 1 status register (I2STATUS) to catch the state of Tx/Rx, recognizable slave address register for slave mode use and 1 clock rate control block for master mode to generate the variable baud rate.

Preliminary W79E225A/227A Data Sheet



SYMBOL	DEFINITION	ADDRESS	MSB BIT_ADDRESS, SYMBOL LSB								RESET	
I2TIMER	I2C Timer Counter Register	EFH	-	-	-	-	-	-	ENT1	DIV4	TIF	xxxx x000B
I2CLK	I2C Clock Rate	EEH	I2CLK.7	I2CLK.6	I2CLK.5	I2CLK.4	I2CLK.3	I2CLK.2	I2CLK.1	I2CLK.0		0000 0000B
I2STATUS	I2C Status Register	EDH	I2STAT US.7	I2STAT US.6	I2STAT US.5	I2STAT US.4	I2STAT US.3	-	-	-		1111 1000B
I2DAT	I2C Data	ECH	I2DAT.7	I2DAT.6	I2DAT.5	I2DAT.4	I2DAT.3	I2DAT.2	I2DAT.1	I2DAT.0		0000 0000B
I2ADDR	I2C Slave Address	EAH	ADDR.7	ADDR.6	ADDR.5	ADDR.4	ADDR.3	ADDR.2	ADDR.1	GC		0000 0000B
I2CON	I2C Control Register	E9H	-	ENS	STA	STO	SI	AA	I2CIN	-		x000 000xB
I2CSADEN	I2C Maskable Slave Address	F6H	I2CSAD EN.7	I2CSAD EN.6	I2CSAD EN.5	I2CSAD EN.4	I2CSAD EN.3	I2CSAD EN.2	I2CSAD EN.1	I2CSAD EN.0		1111 1110B

Table 17-1: Control Registers of I2C Ports

17.2.1 Slave Address Registers, I2ADDR

I2C port is equipped with one slave address register. The contents of the register are irrelevant when I2C is in master mode. In the slave mode, the seven most significant bits must be loaded with the MCU's own slave address. The I2C hardware will react if the contents of I2ADDR are matched with the received slave address.

The I2C ports support the "General Call" function. If the GC bit is set the I2C port1 hardware will respond to General Call address (00H). Clear GC bit to disable general call function.

When GC bit is set, the device is in slave mode which can receive the General Call address(00H) sent by Master on the I2C bus. This special slave mode is referred to as GC mode.

17.2.2 Data Register, I2DAT

This register contains a byte of serial data to be transmitted or a byte which has just been received. The CPU can read from or write to this 8-bit directly addressable SFR while it is not in the process of shifting a byte. Data in I2DAT remains stable as long as SI is set. The MSB is shifted out first. While data is being shifted out, data on the bus is simultaneously being shifted in; I2DAT always contains the last data byte present on the bus. Thus, in the event of arbitration lost, the transition from master transmitter to slave receiver is made with the correct data in I2DAT.

I2DAT and the acknowledge bit form a 9-bit shift register which shifts in or out an 8-bit byte, followed by an acknowledge bit. The acknowledge bit is controlled by the hardware and cannot be accessed by the CPU. Serial data is shifted into I2DAT on the rising edges of serial clock pulses on the SCL line. When a byte has been shifted into I2DAT, the serial data is available in I2DAT, and the acknowledge bit (ACK or NACK) is returned by the control logic during the ninth clock pulse. Serial data is shifted out from I2DAT on the falling edges of SCL clock pulses, and is shifted into I2DAT on the rising edges of SCL clock pulses.

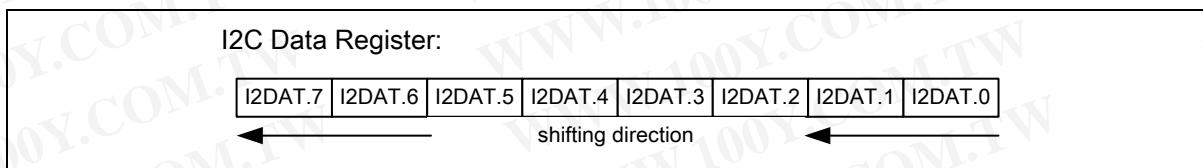


Figure 17-2: I2C Data Shift

17.2.3 Control Register, I2CON

The CPU can read from and write to this 8-bit, directly addressable SFR. Two bits are affected by hardware: the SI bit is set when the I2C hardware requests a serial interrupt, and the STO bit is cleared when a STOP condition is present on the bus. The STO bit is also cleared when ENS = "0".

Preliminary W79E225A/227A Data Sheet



ENS	I2C serial function block enable bit. When ENS=1 the I2C serial function enables. The port latches of SDA1 and SCL1 must be set to logic high.
STA	I2C START Flag. Setting STA to logic 1 to enter master mode, the I2C hardware sends a START or repeat START condition to bus when the bus is free.
STO	I2C STOP Flag. In master mode, setting STO to transmit a STOP condition to bus then I2C hardware will check the bus condition if a STOP condition is detected this flag will be cleared by hardware automatically. In a slave mode, setting STO resets I2C hardware to the "not addressed slave mode".
SI	I2C Port 1 Interrupt Flag. When a new SIO state is present in the S1STA register, the SI flag is set by hardware, and if the EA and EI2C1 bits are both set, the I2C1 interrupt is requested. SI must be cleared by software.
AA	Assert Acknowledge control bit. When AA=1 prior to address or data received, an acknowledged (low level to SDA) will be returned during the acknowledge clock pulse on the SCL line when; 1.) A slave is acknowledging the address sent from master, 2.) The receiver devices are acknowledging the data sent by transmitter. When AA=0 prior to address or data received, a not acknowledged (high level to SDA) will be returned during the acknowledge clock pulse on the SCL line.
I2CIN	By default it is zero and input are allows to come in through SDA pin. As when it is 1 input is disallow and to prevent leakage current. During Power-Down mode input is disallow.

17.2.4 Status Register, I2STATUS

I2STATUS is an 8-bit read-only register. The three least significant bits are always 0. The five most significant bits contain the status code. There are 23 possible status codes. When I2STATUS contains F8H, no serial interrupt is requested. All other I2STATUS values correspond to defined I2C ports states. When each of these states is entered, a status interrupt is requested (SI = 1). A valid status code is present in I2STATUS one machine cycle after SI is set by hardware and is still present one machine cycle after SI has been reset by software.

In addition, state 00H stands for a Bus Error. A Bus Error occurs when a START or STOP condition is present at an illegal position in the format frame. Examples of illegal positions are during the serial transfer of an address byte, a data byte or an acknowledge bit.

17.2.5 I2C Clock Baud Rate Control, I2CLK

The data baud rate of I2C is determines by I2CLK register when I2C port is in a master mode. It is not important when I2C port is in a slave mode. In the slave modes, SIO will automatically synchronize with any clock frequency up to 400 KHz from master I2C device.

The data baud rate of I2C setting conforms to the following equation.

Data Baud Rate of I2C = $F_{CPU} / (I2CLK + 1)$, where $F_{CPU} = F_{OSC}/4$.

For example, if $F_{OSC}=16\text{MHz}$, the $I2CLK=40(28\text{H})$, the data baud rate of I2C = $(16\text{MHz}/4)/(40+1) = 97.56\text{K bits/sec}$.

17.2.6 I2C Time-out Counter, I2Timer

In W79E225/227, the I2C logic block provides a 14-bit timer-out counter that helps user to deal with bus pending problem. When SI is cleared user can set ENTI=1 to start the time-out counter. If I2C bus is pended too long to get any valid signal from devices on bus, the time-out counter overflows cause TIF=1 to request an I2C interrupt. The I2C interrupt is requested in the condition of either SI=1 or TIF=1. Flags SI and TIF must be cleared by software.

Preliminary W79E225A/227A Data Sheet



17.2.7 I2C Maskable Slave Address

This register enables the Automatic Address Recognition feature of the I2C. When a bit in the I2CSADEN is set to 1, the same bit location in I2CSADDR1 will be compared with the incoming serial port data. When I2CSADEN.n is 0, then the bit becomes a don't-care in the comparison. This register enables the Automatic Address Recognition feature of the I2C. When all the bits of I2CSADEN are 0, interrupt will occur for any incoming address.

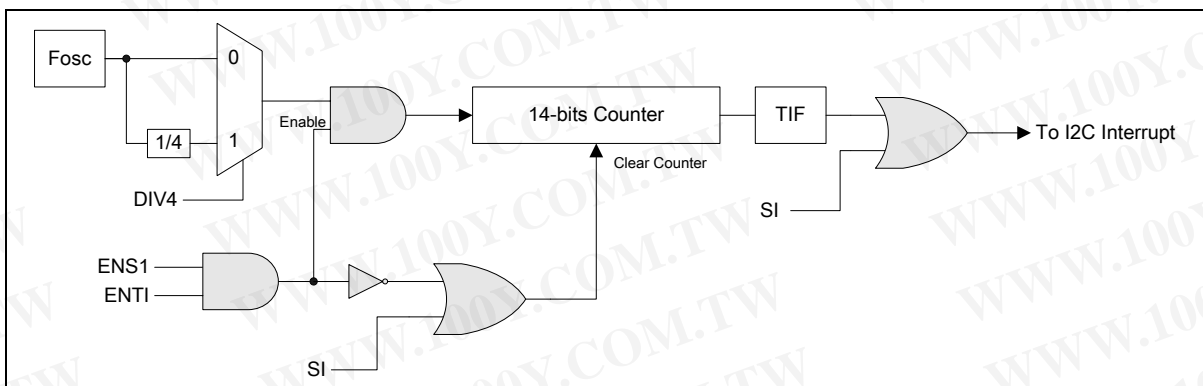


Figure 17-3: I2C Time-out Block Diagram

17.3 Modes of Operation

The on-chip I2C ports support five operation modes, Master transmitter, Master receiver, Slave transmitter, Slave receiver, and GC call.

In a given application, I2C port may operate as a master or as a slave. In the slave mode, the I2C port hardware looks for its own slave address and the general call address. If one of these addresses is detected, and if the slave is willing to receive or transmit data from/to master (by setting the AA bit), acknowledge pulse will be transmitted out on the 9th clock, hence an interrupt is requested on both master and slave devices if interrupt is enabled. When the microcontroller wishes to become the bus master, the hardware waits until the bus is free before the master mode is entered so that a possible slave action is not interrupted. If bus arbitration is lost in the master mode, I2C port switches to the slave mode immediately and can detect its own slave address in the same serial transfer.

17.3.1 Master Transmitter Mode

Serial data output through SDA while SCL outputs the serial clock. The first byte transmitted contains the slave address of the receiving device (7 bits) and the data direction bit. In this case the data direction bit (R/W) will be logic 0, and we say that a "W" is transmitted. Thus the first byte transmitted is SLA+W. Serial data is transmitted 8 bits at a time. After each byte is transmitted, an acknowledge bit is received. START and STOP conditions are output to indicate the beginning and the end of a serial transfer.

17.3.2 Master Receiver Mode

In this case the data direction bit (R/W) will be logic 1, and we say that an "R" is transmitted. Thus the first byte transmitted is SLA+R. Serial data is received via SDA while SCL outputs the serial clock. Serial data is received 8 bits at a time. After each byte is received, an acknowledge bit is transmitted. START and STOP conditions are output to indicate the beginning and end of a serial transfer.

Preliminary W79E225A/227A Data Sheet



17.3.3 Slave Receiver Mode

Serial data and the serial clock are received through SDA and SCL. After each byte is received, an acknowledge bit is transmitted. START and STOP conditions are recognized as the beginning and end of a serial transfer. Address recognition is performed by hardware after reception of the slave address and direction bit.

17.3.4 Slave Transmitter Mode

The first byte is received and handled as in the slave receiver mode. However, in this mode, the direction bit will indicate that the transfer direction is reversed. Serial data is transmitted via SDA while the serial clock is input through SCL. START and STOP conditions are recognized as the beginning and end of a serial transfer.

17.4 Data Transfer Flow in Five Operating Modes

The five operating modes are: Master/Transmitter, Master/Receiver, Slave/Transmitter, Slave/Receiver and GC Call. Bits STA, STO and AA in I2CON register will determine the next state of the SIO hardware after SI flag is cleared. Upon completion of the new action, a new status code will be updated and the SI flag will be set. If the I2C interrupt control bits (EA and EI2) are enabled, appropriate action or software branch of the new status code can be performed in the Interrupt service routine.

Data transfers in each mode are shown in the following figures.

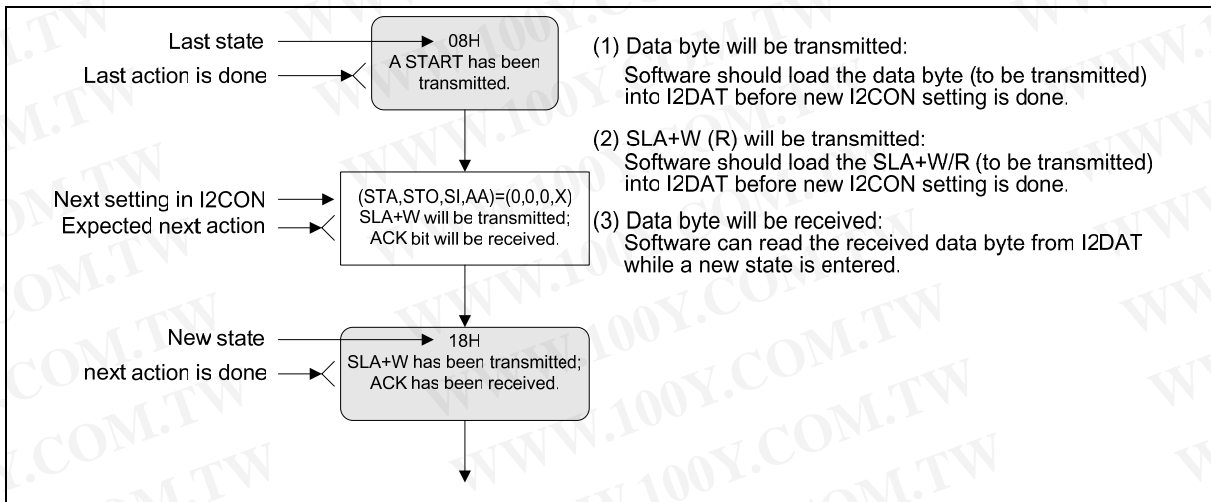


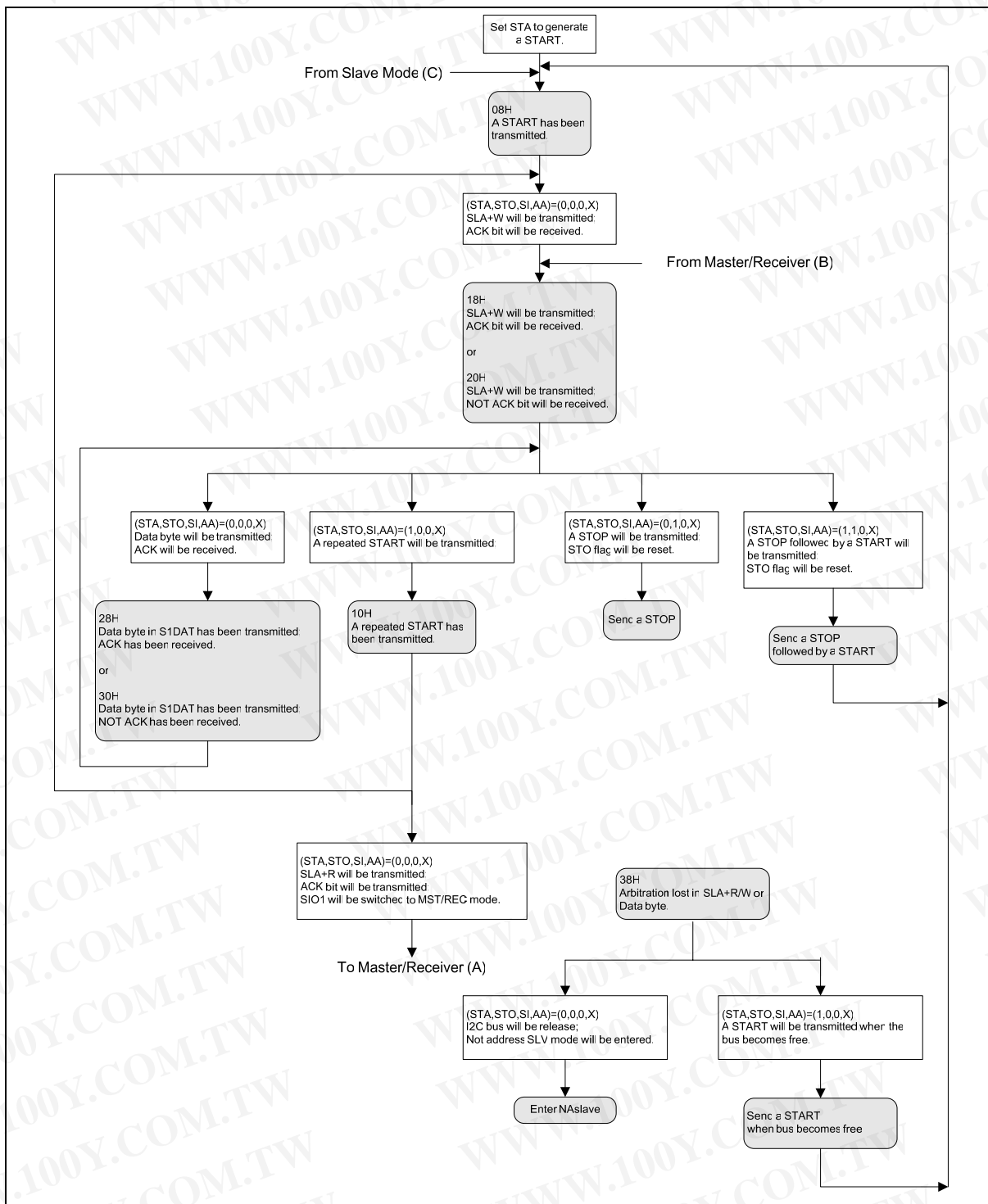
Figure 17-4: Legend for I2C flow charts

勝特力材料 886-3-5753170
勝特力电子(上海) 86-21-34970699
勝特力电子(深圳) 86-755-83298787
[Http://www.100y.com.tw](http://www.100y.com.tw)

Preliminary W79E225A/227A Data Sheet



17.4.1 Master/Transmitter Mode



Preliminary W79E225A/227A Data Sheet



17.4.2 Figure 17-5: Master Transmitter Mode Master/Receiver Mode

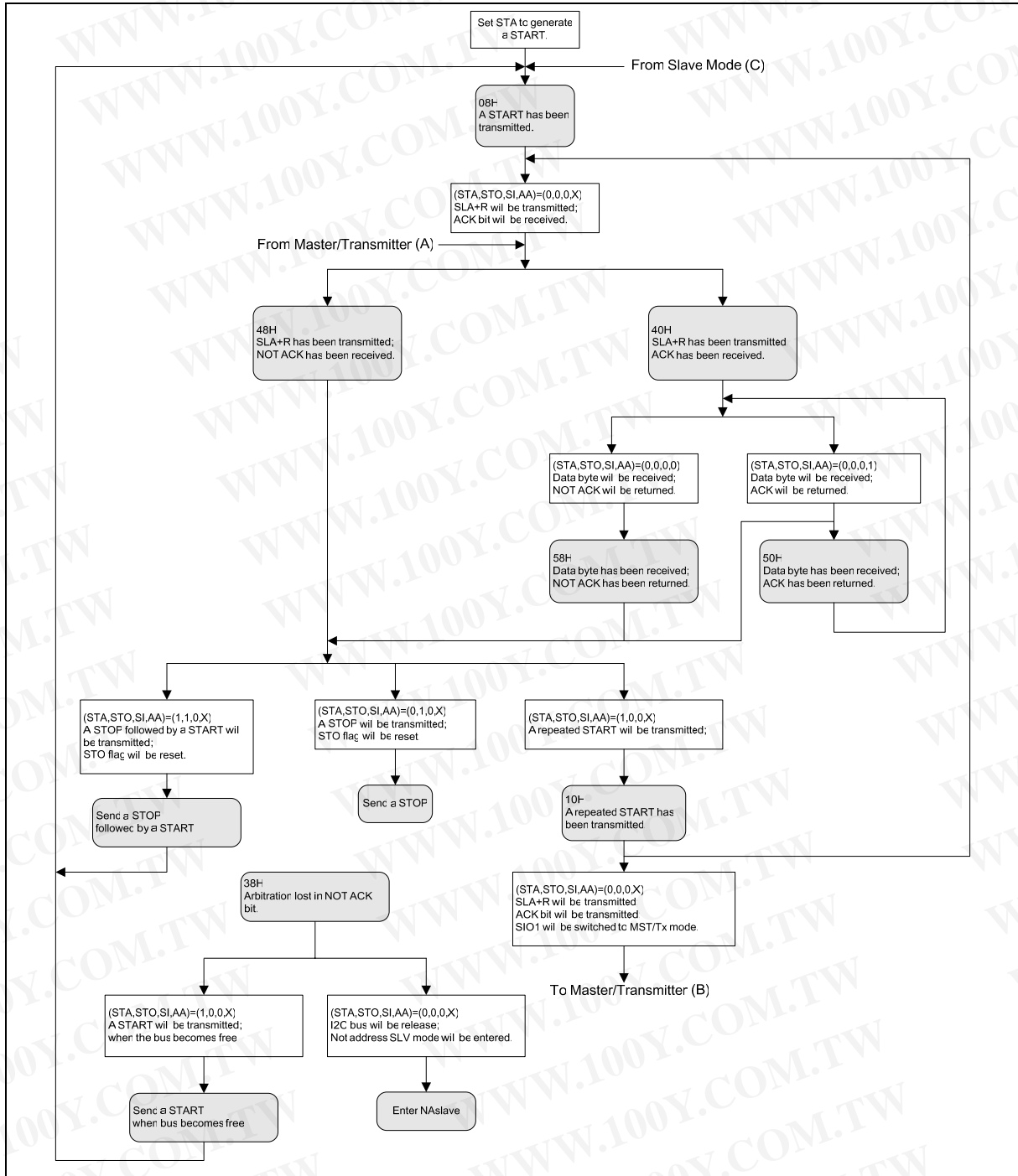


Figure 17-6: Master Receiver Mode

Preliminary W79E225A/227A Data Sheet



17.4.3 Slave/Transmitter Mode

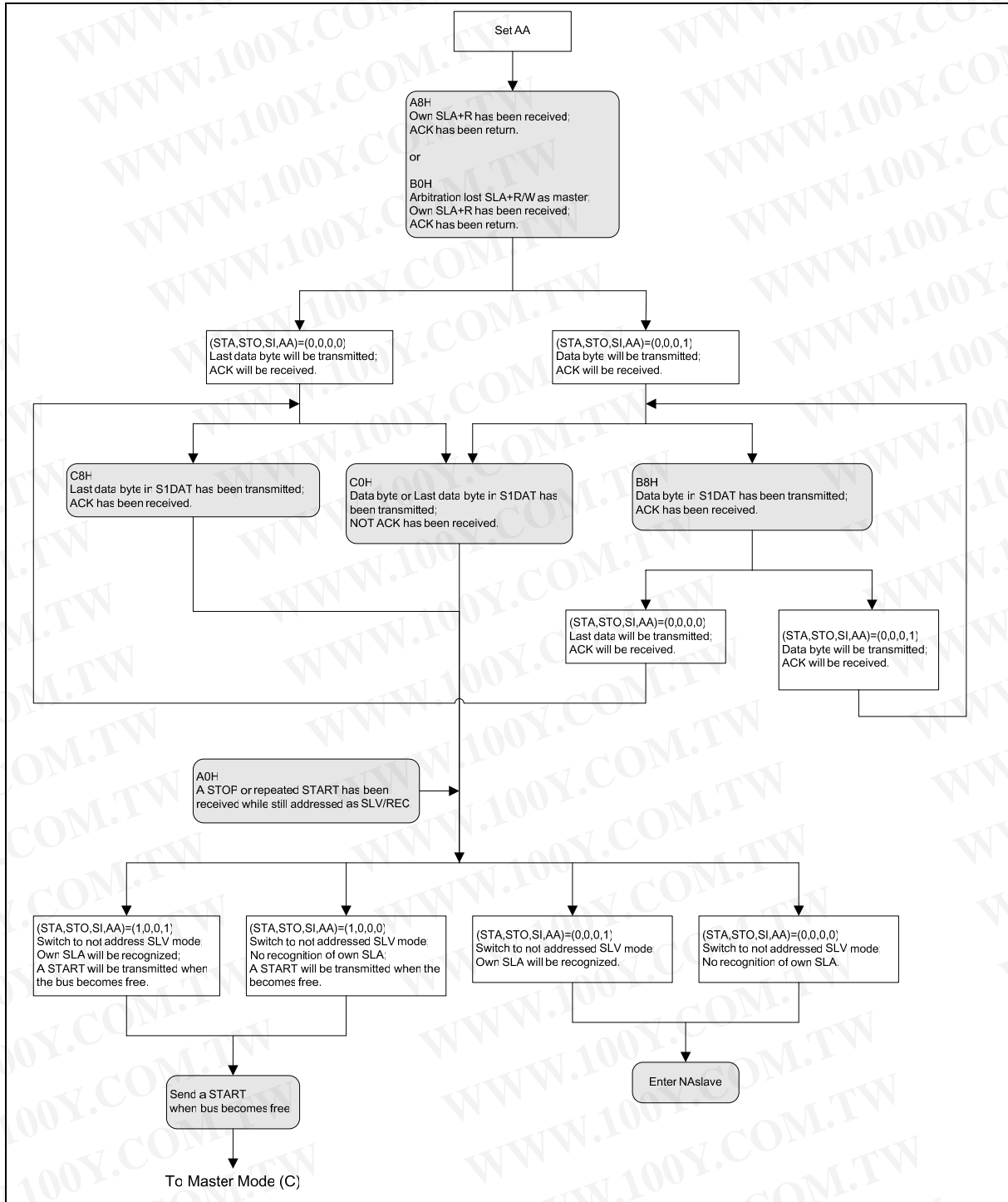


Figure 17-7: Slave Transmitter Mode

Preliminary W79E225A/227A Data Sheet



17.4.4 Slave/Receiver Mode

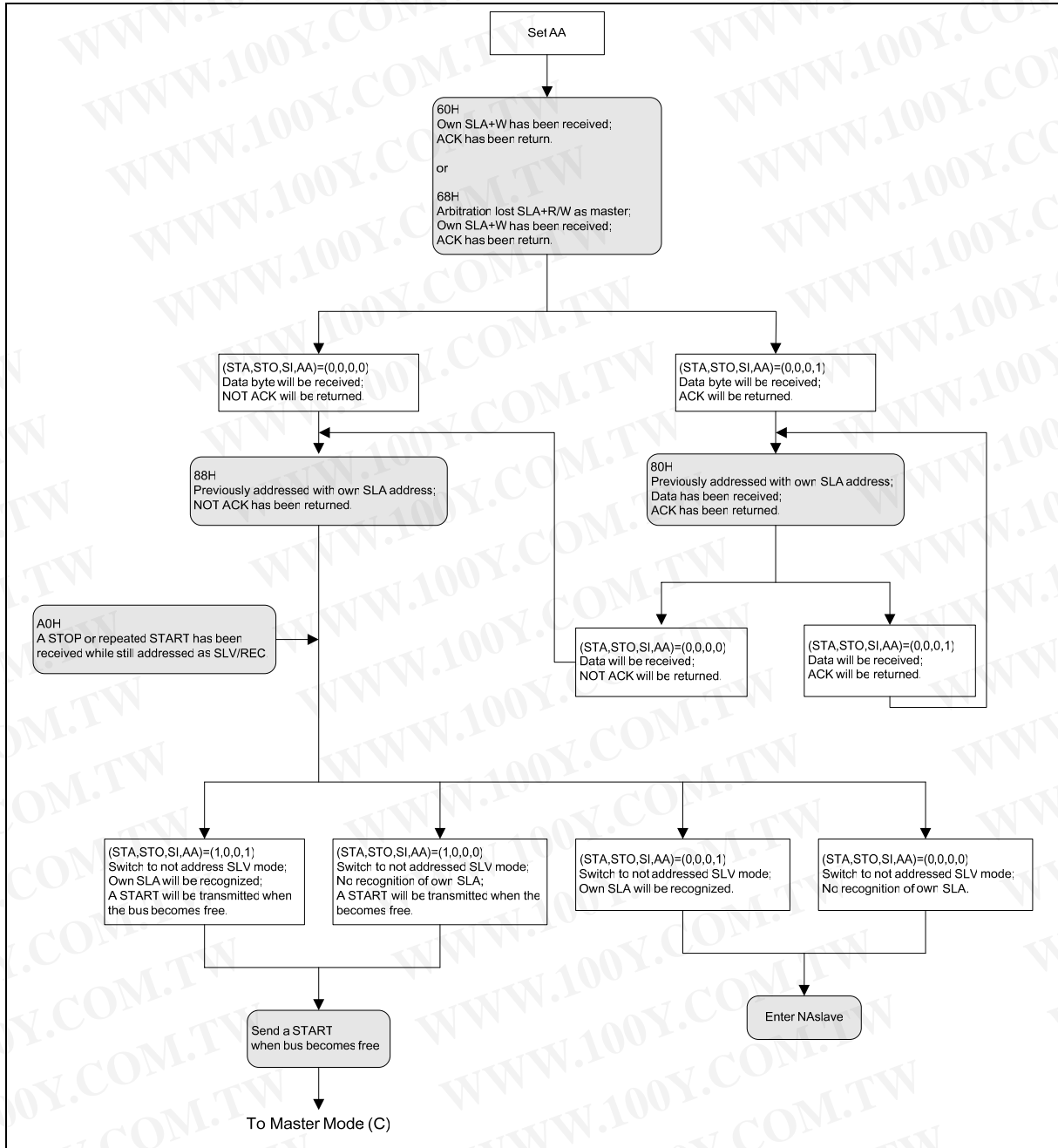


Figure 17-8: Slave Receiver Mode

Preliminary W79E225A/227A Data Sheet



17.4.5 GC Mode

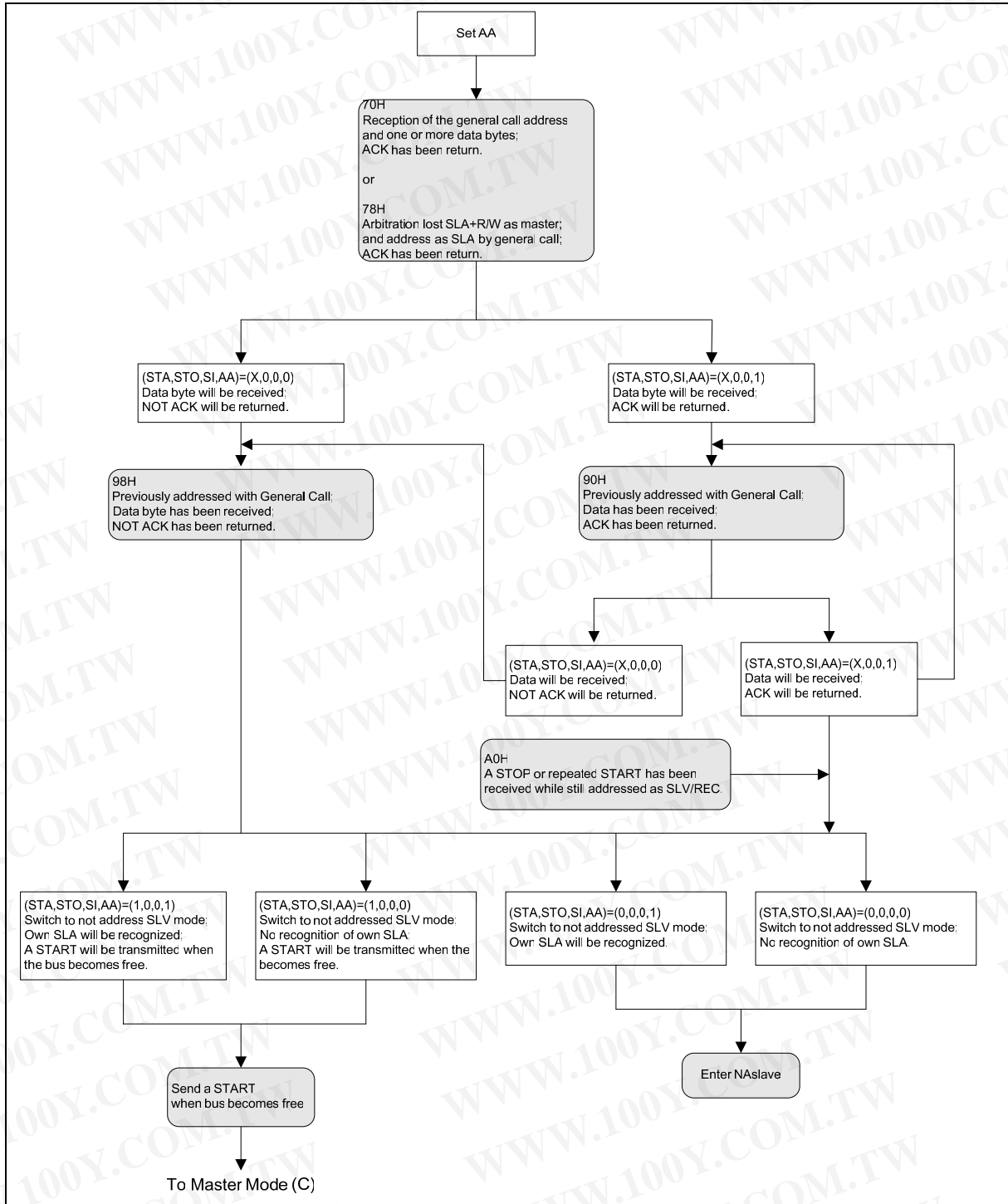


Figure 17-9: General Call Address

Preliminary W79E225A/227A Data Sheet



18. SERIAL PERIPHERAL INTERFACE (SPI)

18.1 General descriptions

This device consists of SPI block to support high speed serial communication. It's capable of supporting data transfer rates 5Mbit/s. This device's SPI support the following features;

- Master and slave mode.
- Slave select output.
- Programmable serial clock's polarity and phase.
- Receive double buffered data register.
- LSB first enable.
- Write collision detection.
- Transfer complete interrupt.

18.2 Block descriptions

The Figure 18-1 shows SPI block diagram. It provides an overview of SPI architecture in this device. The main blocks of SPI are the register blocks, control logics, baud rate control and pin control logics;

- a. Shift register and read data buffer. It is single buffered in the transmit direction and double buffered in the receive direction. Transmit data cannot be written to the shifter until the previous transfer is complete. Receive logics consist of parallel read data buffer so the shifter is free to accept a second data, as the first received data will be transferred to the read data buffer.
- b. SPI Control block. This provide control functions to configure the device for SPI enable, master or slave, clock phase and polarity, LSB access first selection, and Slave Select output enable.
- c. Baud rate control. These control logics divide CPU clock to 4 different selectable clocks 1/8, 1/32, 1/128 and 1/256. Its' selection is controllable through SPR [1:0] bits.

SPR1	SPR0	DIVIDER	BAUD RATE
0	0	8	5MHz
0	1	32	1.25MHz
1	0	128	312.50kHz
1	1	256	156.25kHz

Table 18-1 SPI Baud Rate Selection (F_{osc} @ 40MHz)

- d. SPI registers. There are three SPI registers to support its operations, they are;
 - SPI control registers (SPCR)
 - SPI status registers (SPSR)
 - SPI data register (SPDR)

These registers provide control, status, data storage functions and baud rate selection control. Detail bits descriptions are found at SFR section. When using SPI pull-up must be apply at bit PUP0 = 1.

- e. Pin control logic. Controls behavior of SPI interface pins.

Preliminary W79E225A/227A Data Sheet

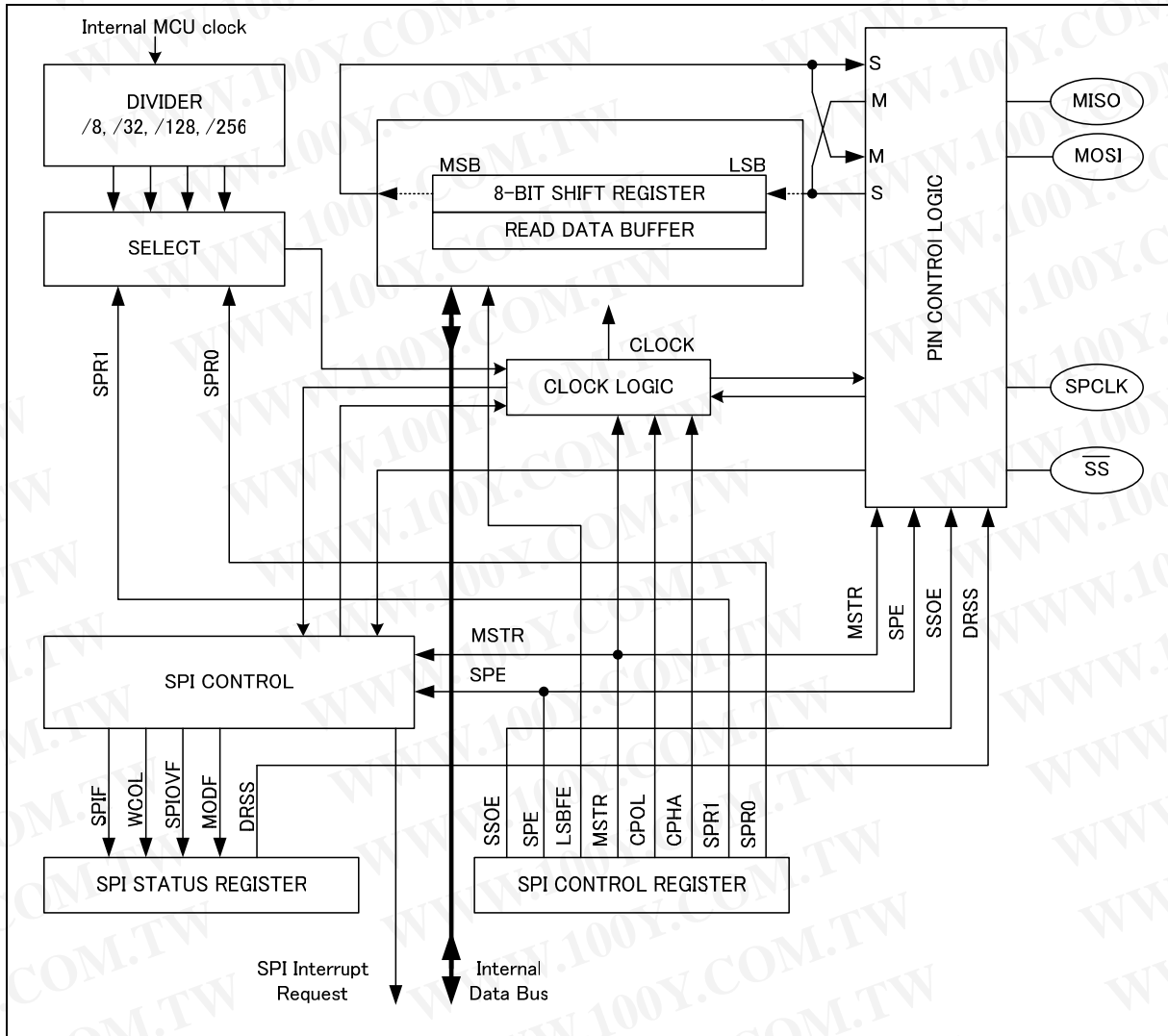


Figure 18-1: SPI block diagram

Preliminary W79E225A/227A Data Sheet



18.3 Functional descriptions

18.3.1 Master mode

The device can configure the SPI to operate as a master or as a slave, through MSTR bit. When the MSTR bit is set, master mode is selected, when MSTR bit is cleared, slave mode is selected. During master mode, only master SPI device can initiate transmission. A transmission begins by writing to the master SPDR register. The bytes begin shifting out on MOSI pin under the control of SPCLK. The master places data on MOSI line a half-cycle before SPCLK edge that the slave device uses to latch the data bit. The \overline{SS} must stay low before data transactions and stay low for the duration of the transactions.

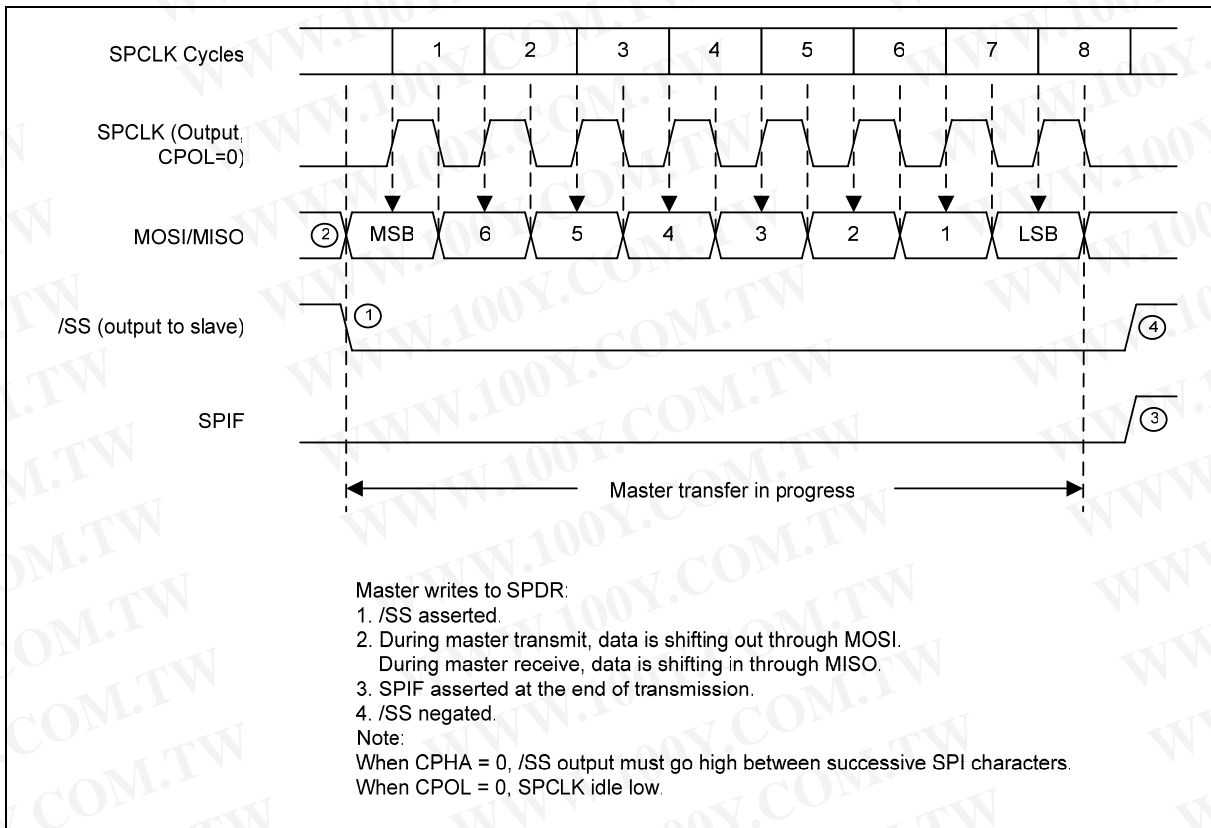


Figure 18-2: Master Mode Transmission (CPOL = 0, CPHA = 0)

Preliminary W79E225A/227A Data Sheet

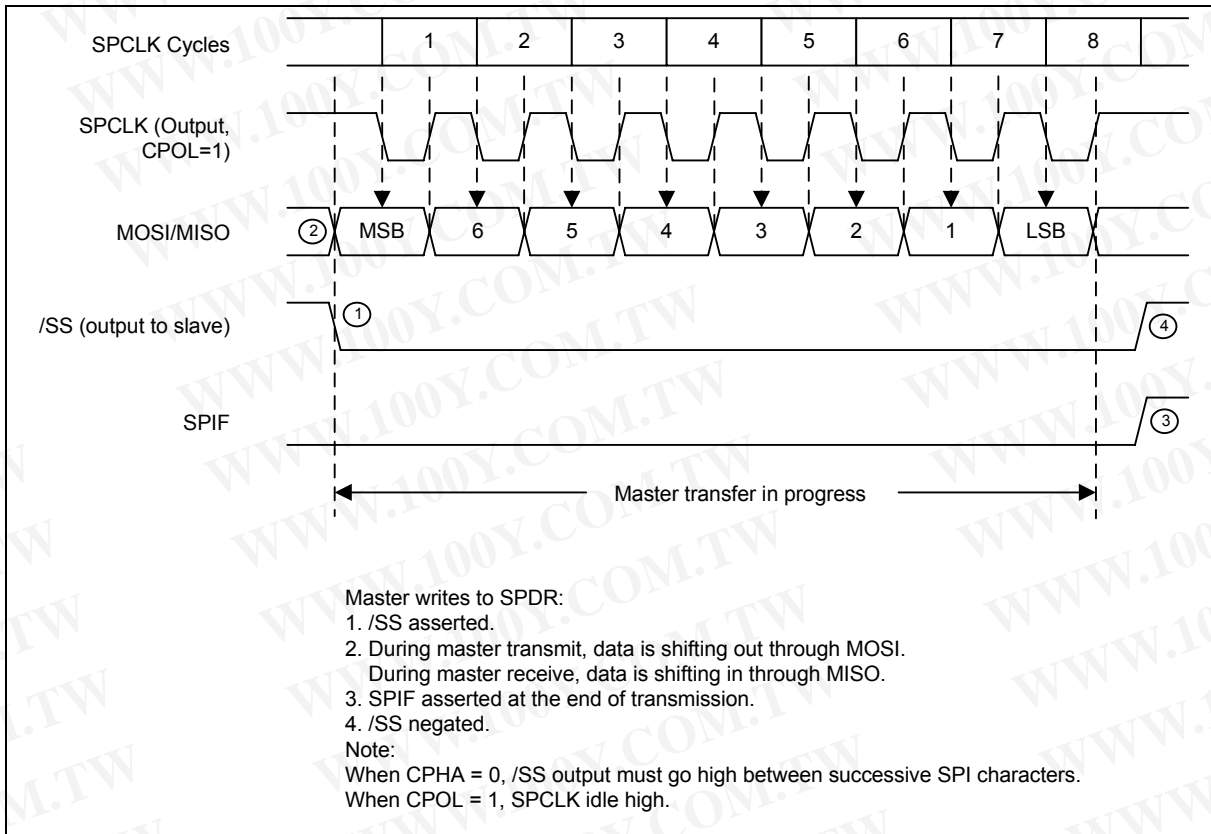


Figure 18-3: Master Mode Transmission (CPOL = 1, CPHA = 0)

Preliminary W79E225A/227A Data Sheet

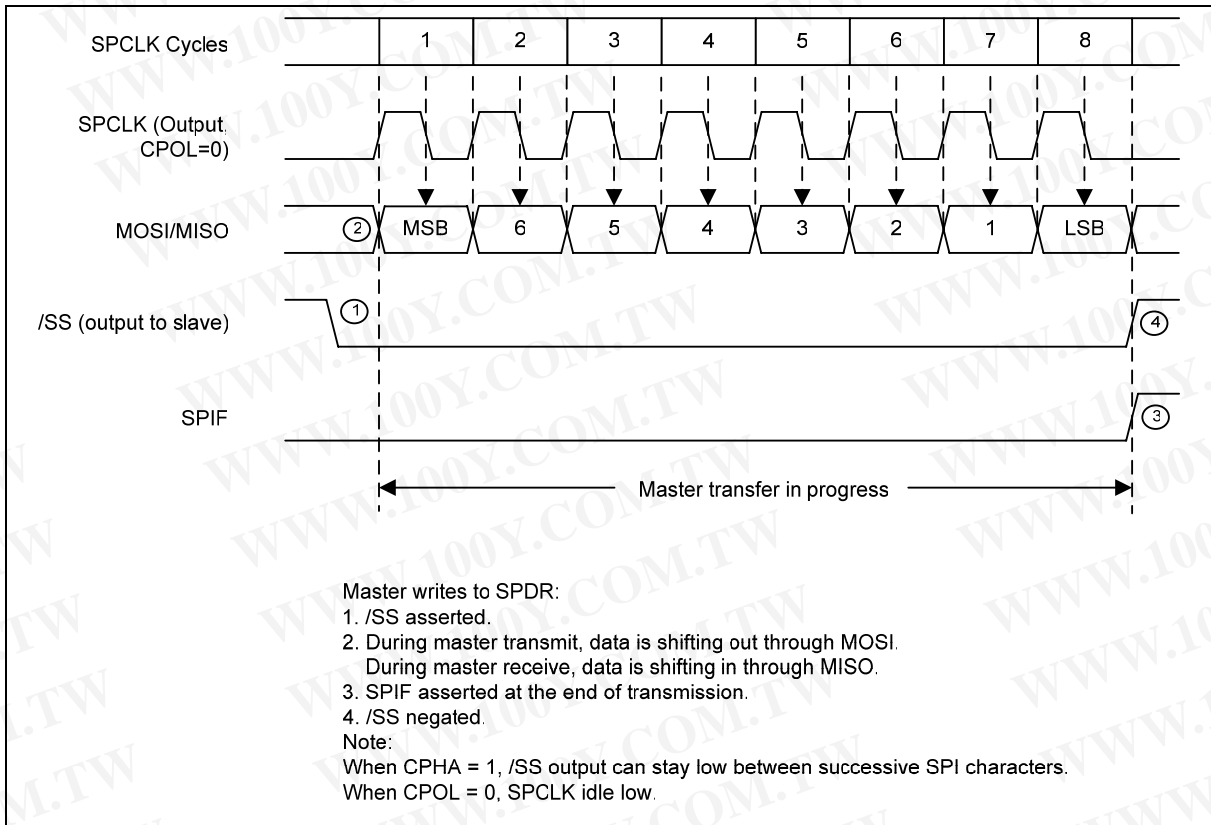


Figure 18-4: Master Mode Transmission (CPOL = 0, CPHA = 1)

勝特力材料 886-3-5753170
 勝特力电子(上海) 86-21-34970699
 勝特力电子(深圳) 86-755-83298787
[Http://www.100y.com.tw](http://www.100y.com.tw)

Preliminary W79E225A/227A Data Sheet

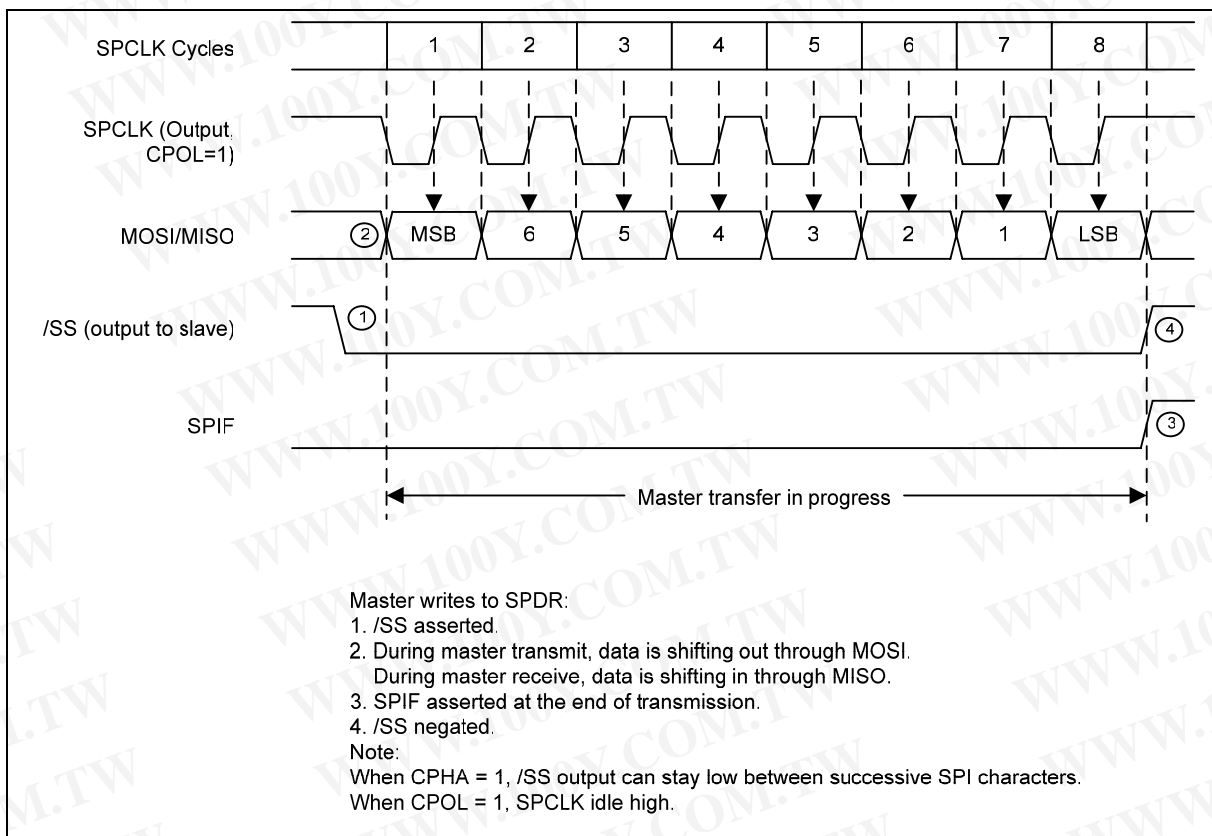


Figure 18-5: Master Mode Transmission (CPOL = 1, CPHA = 1)

18.3.2 Slave Mode

When in slave mode, the SPCLK pin becomes input and it will be clock by another master SPI device. The \overline{SS} pin also becomes input. Similarly, before data transmissions occurs, and remain low until the transmission completed. If \overline{SS} goes high, the SPI is forced into idle state. If the \overline{SS} is forced to high at the middle of transmission, the transmission will be aborted and the receiving shifter buffer will be high and goes into idle states.

Data flows from master to slave on MOSI pin and flows from slave to master on MISO pin. The SPDR is used when transmitting or receiving data on the serial bus. Only a write to this register initiates transmission or reception of a byte, and this only occurs in the master device. At the completion of transferring a byte of data, the SPIF status bit is set in both the master and slave devices.

A read of the SPDR is actually a read of a buffer. To prevent an overrun and the loss of the byte that caused the overrun, the first SPIF must be cleared by the time a second transfer of data from the shift register to the read buffer is initiated.

Preliminary W79E225A/227A Data Sheet

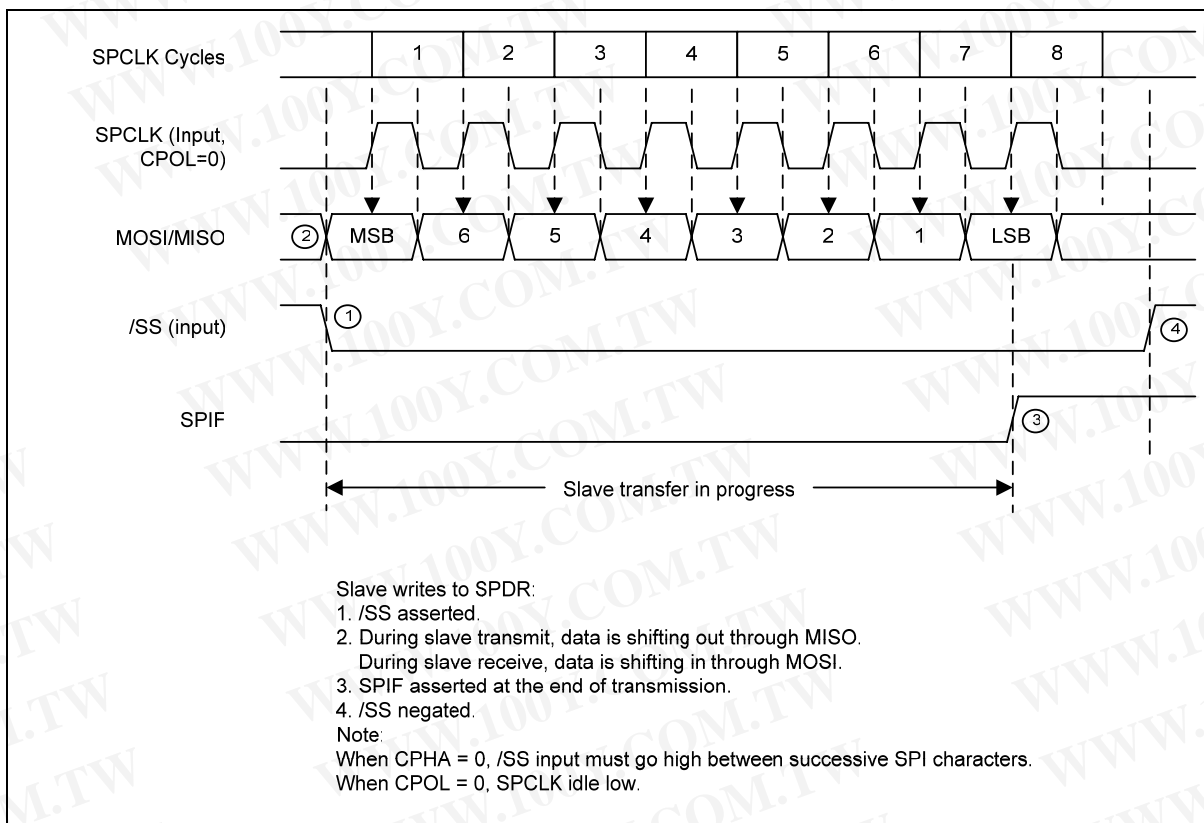


Figure 18-6: Slave Mode Transmission (CPOL = 0, CPHA = 0)

Preliminary W79E225A/227A Data Sheet

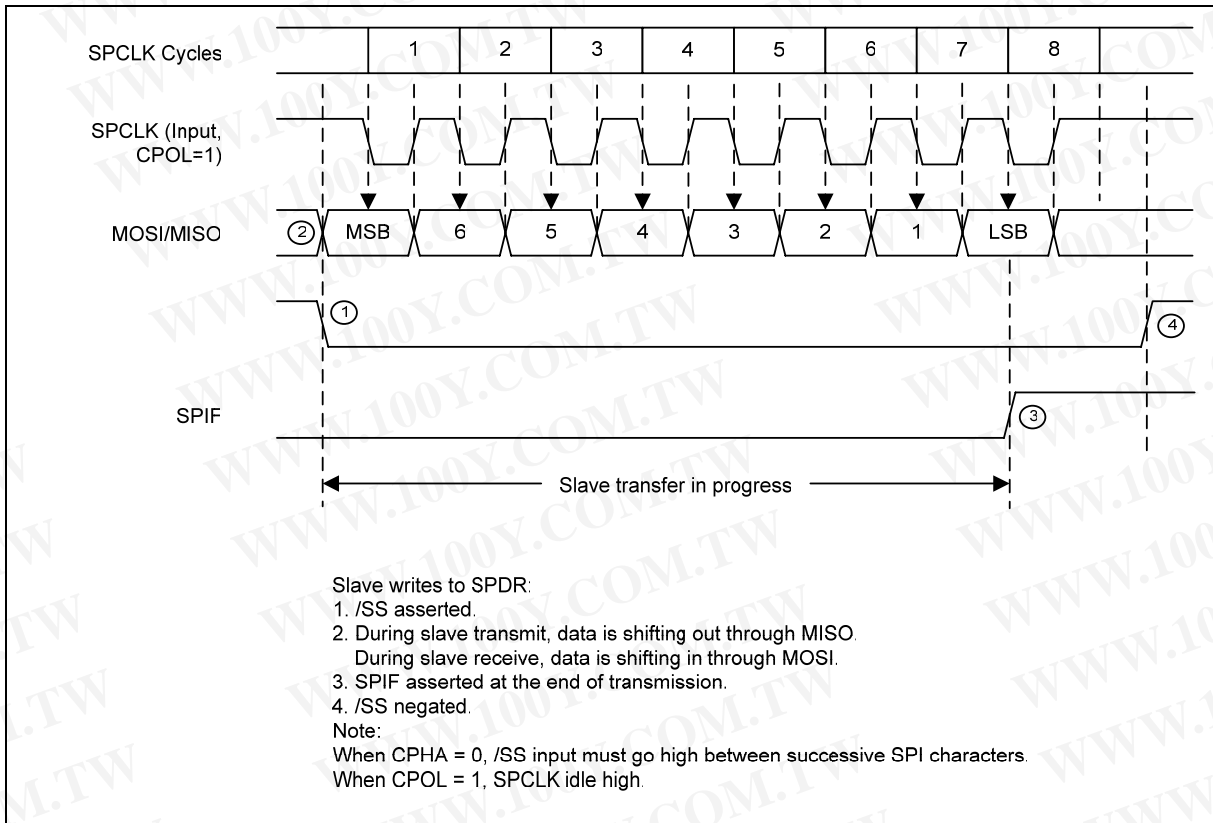


Figure 18-7: Slave Mode Transmission (CPOL = 1, CPHA = 0)

Preliminary W79E225A/227A Data Sheet

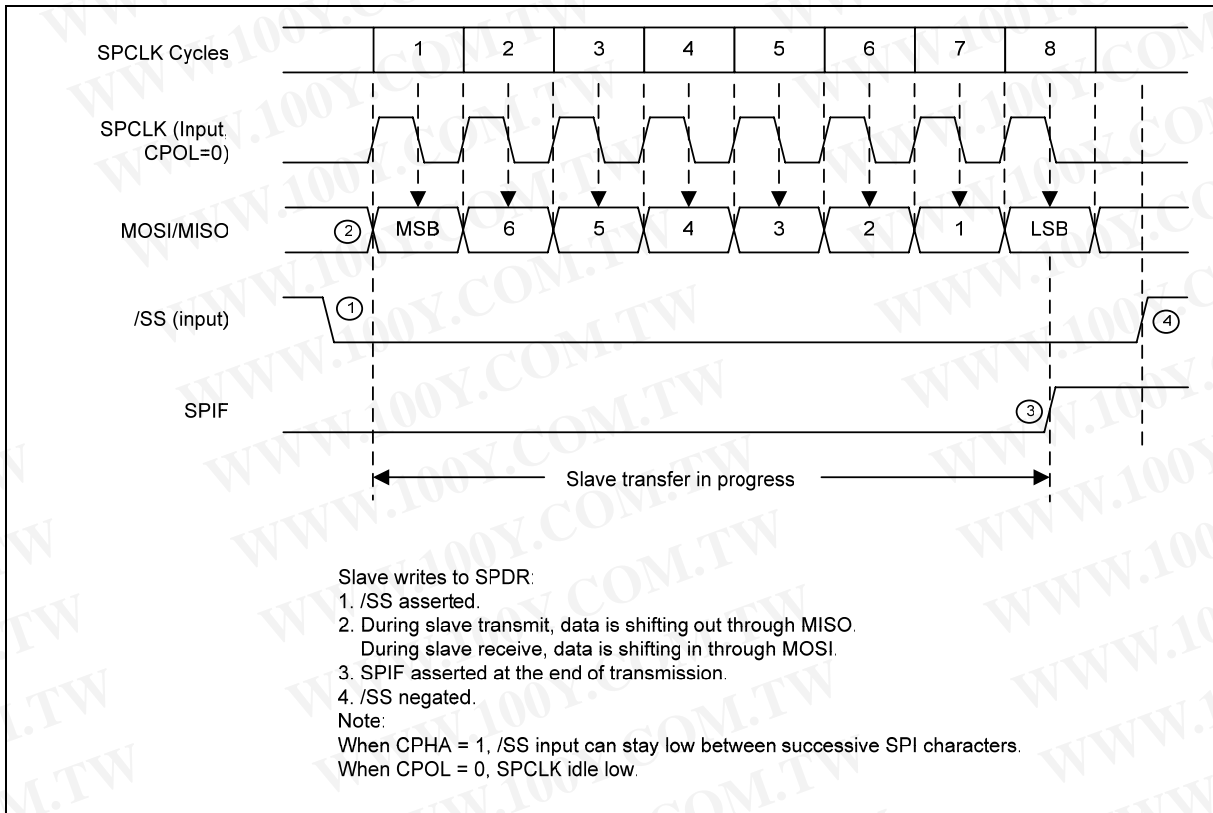


Figure 18-8: Slave Mode Transmission (CPOL = 0, CPHA = 1)

Preliminary W79E225A/227A Data Sheet

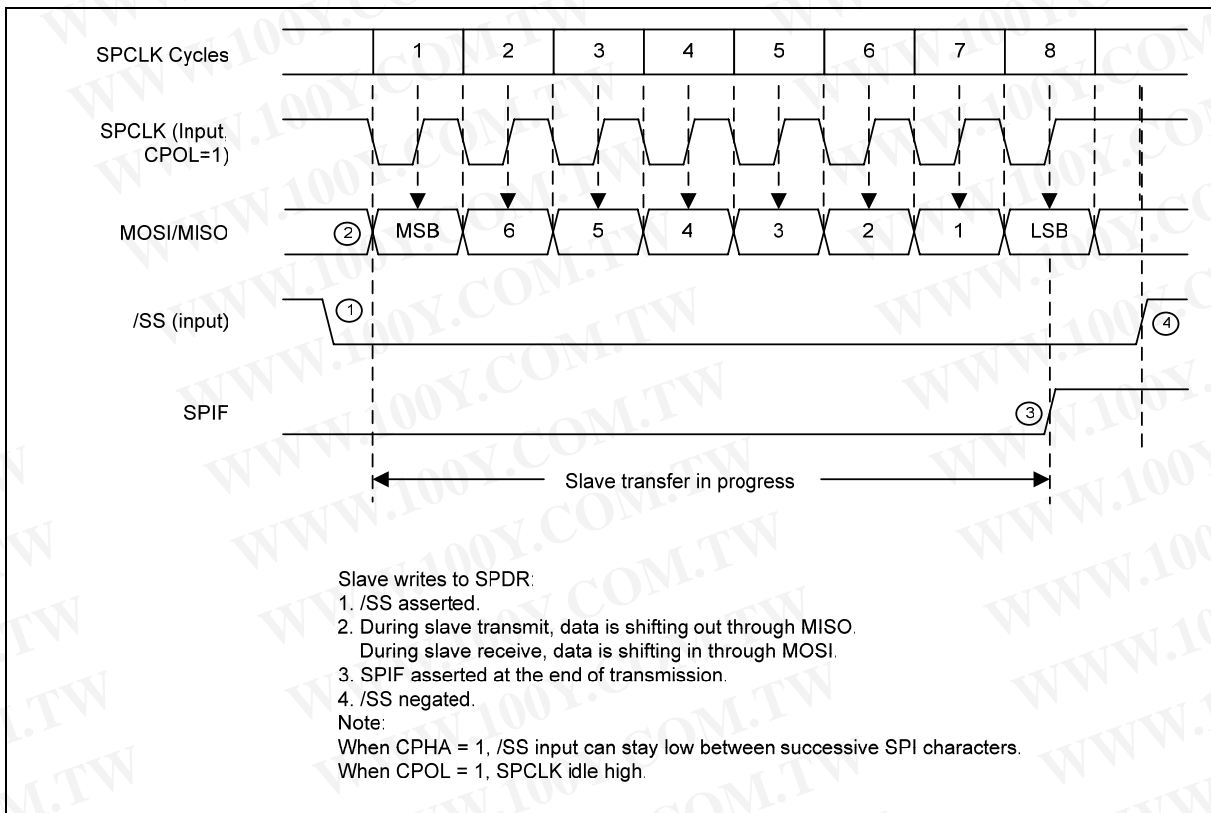


Figure 18-9: Slave Mode Transmission (CPOL = 1, CPHA = 1)

18.3.3 Slave select

The slave select (\overline{SS}) input of a slave device must be externally asserted before a master device can exchange data with the slave device. \overline{SS} must be low before data transactions and must stay low for the duration of the transaction. The \overline{SS} line of the master must be held high. The other three lines are dedicated to the SPI whenever the serial peripheral interface is on.

The state of the master and slave CPHA bits affects the operation of \overline{SS} . CPHA settings should be identical for master and slave. When CPHA = 0, the shift clock is the OR of \overline{SS} with SPCLK. In this clock phase mode, \overline{SS} must go high between successive characters in an SPI message. When CPHA = 1, \overline{SS} can be left low between successive SPI characters. In cases where there is only one SPI slave MCU, its \overline{SS} line can be tied to VSS as long as only CPHA = 1 clock mode is used.

18.3.4 /SS output

Available in master mode only, \overline{SS} output is enabled with the SSOE bit in the SPCR register and DRSS bit in the SPSR register. The \overline{SS} output pin is connected to the \overline{SS} input pin of the slave device. The \overline{SS} output automatically goes low for each transmission when selecting external device and it goes high during each idling state to deselect external devices.

Preliminary W79E225A/227A Data Sheet



DRSS	SSOE	MASTER MODE	SLAVE MODE
0	0	\overline{SS} input (With Mode Fault)	\overline{SS} Input (Not affected by SSOE)
0	1	Reserved	\overline{SS} Input (Not affected by SSOE)
1	0	\overline{SS} General purpose I/O (No Mode Fault)	\overline{SS} Input (Not affected by SSOE)
1	1	\overline{SS} output (No Mode Fault)	\overline{SS} Input (Not affected by SSOE)

During master mode (with SSOE=DRSS= 0), mode fault will be set if \overline{SS} pin is detected low. When mode fault is detected hardware will clear MSTR bit and SPE bit in the meantime it will also generated interrupt request, if ESPI is enabled.

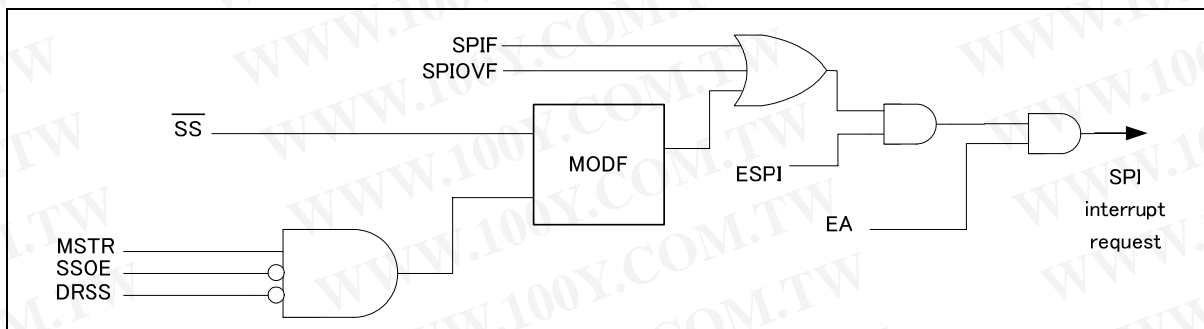


Figure 18-10: SPI interrupt request

18.3.5 SPI I/O pins mode

When SPI is disabled (SPE = 0) the corresponding I/O is following the original setting and act as a normal I/O. In the case of SPI is enabled (SPE = 1) the SPI pins I/O mode follow the below table. For \overline{SS} pin it is always at Quasi-bidirectional mode whether it is configured as master or slave.

	MISO	MOSI	CLK	/SS
Master	Input	Output	Output	Output*: DRSS=0,SSOE=0 Input: DRSS=1, SSOE=1
Slave	Output** during /SS = Low Else Input mode	Input	Input	Input

Input = Quasi-bidirectional mode

Output = Push-pull mode

Output* = this output mode in /SS is Quasi-bidirectional output mode. Master needs to detect mode fault during master outputs /SS low.

Output** = In SLAVE mode, MISO is in output mode only during the time of \overline{SS} =Low, otherwise it must keep in input mode (Quasi-bidirectional).

Preliminary W79E225A/227A Data Sheet



18.3.6 Programmable serial clock's phase and polarity

The clock polarity CPOL control bit selects active high or active low SPCLK clock, and has no significant effect on the transfer format. The clock phase CPHA control bit selects one of two different transfer protocols by sampling data on odd numbered SPCLK edges or on even numbered SPCLK edges. Thus, both these bits enable selection of four possible clock formats to be used by SPI system. The clock phase and polarity should be identical for the master SPI device and the communicating slave device.

When CPHA equals 0, the \overline{SS} line must be negated and reasserted between each successive serial byte. Also, if the slave writes data to the SPI data register (SPDR) while \overline{SS} is low, a write collision error results. When CPHA equals 1, the \overline{SS} line can remain low between successive transfers. The figures from

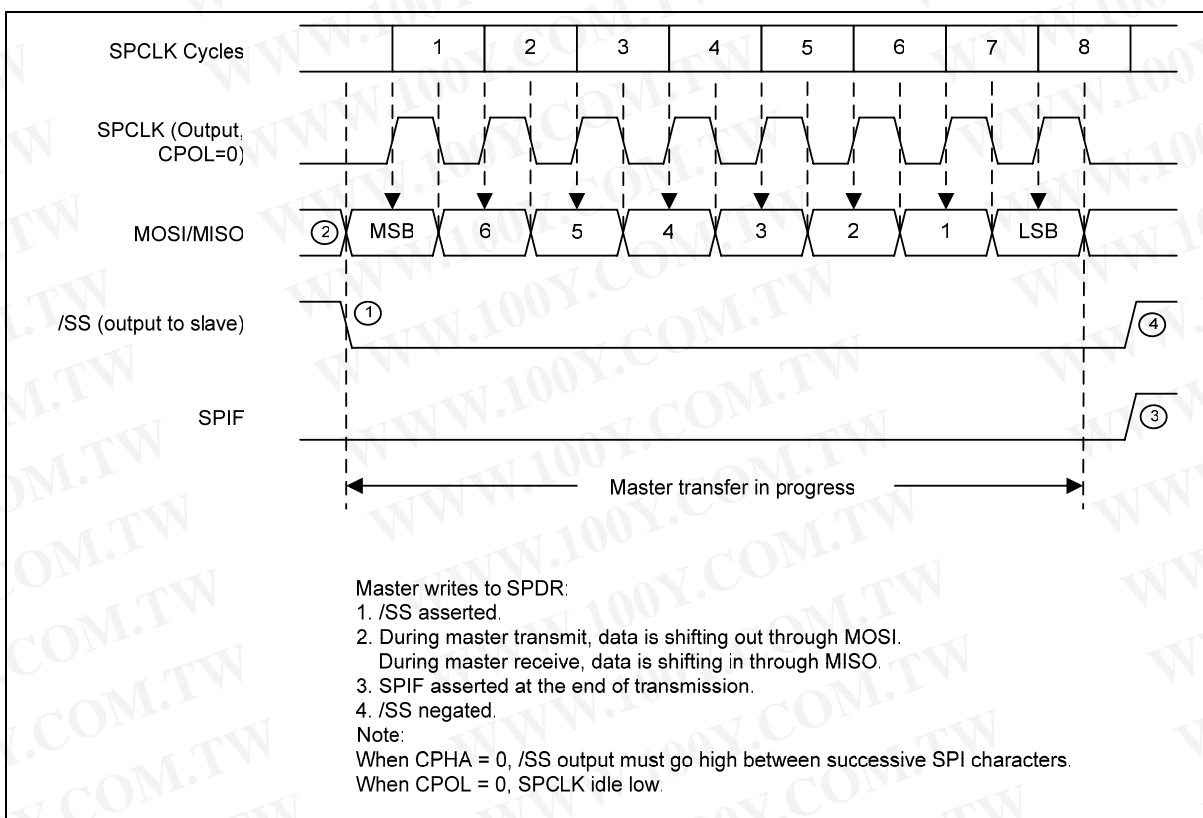


Figure 18-2 to

Preliminary W79E225A/227A Data Sheet

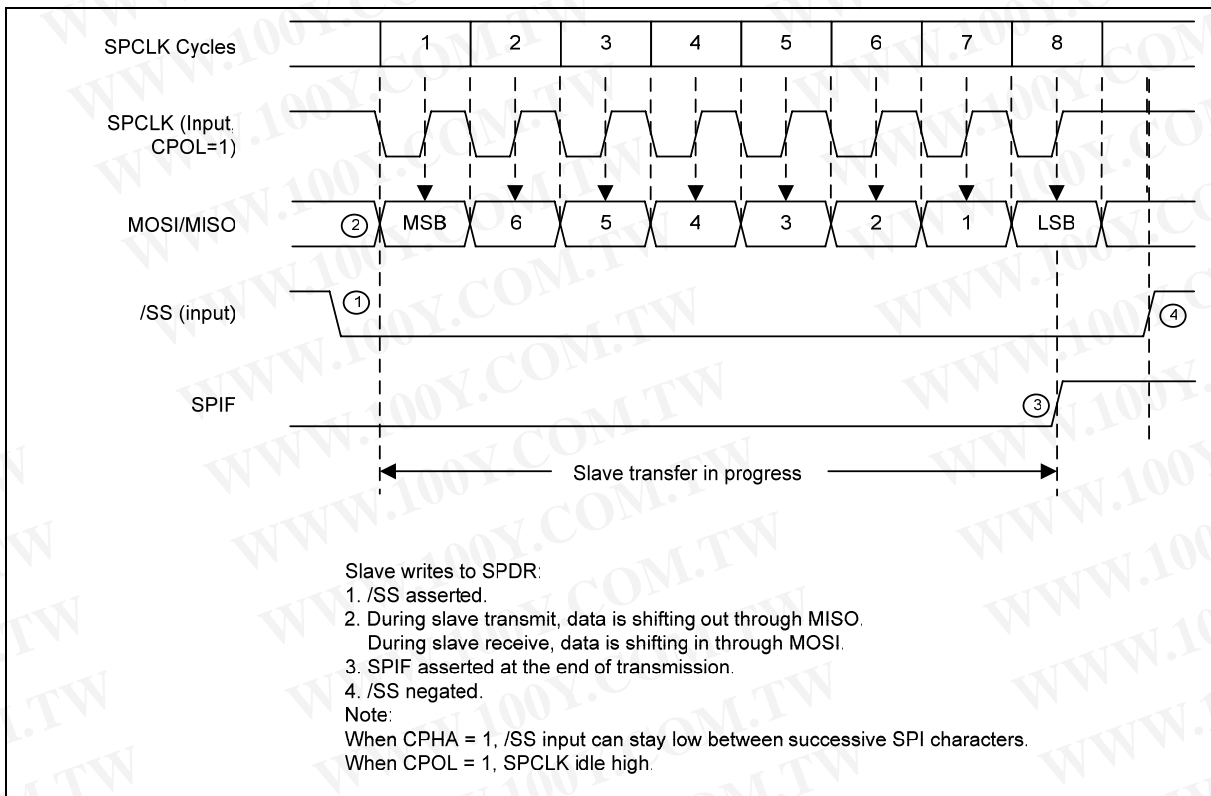


Figure 18-9 show the SPI transfer format, with different CPOL and CPHA. When CPHA = 0, data is sample on the first edge of SPCLK and when CPHA = 1 data is sample on the second edge of the SPCLK. Prior to changing CPOL setting, SPE must be disabled first.

18.3.7 Receive double buffered data register

This device is single buffered in the transmit direction and double buffered in the receive direction. This means that new data for transmission cannot be written to the shifter until the previous transfer is complete; however, received data is transferred into a parallel read data buffer so the shifter is free to accept a second serial byte.

As long as the first byte is read out of the read data buffer before the next byte is ready to be transferred, no overrun condition occurs. If overrun occur, SPIOVF is set. Second byte serial data cannot be transferred successfully into the data register during overrun condition and the data register will remains the value of the previous byte. The figure below shows the receive data timing waveform when overrun occur.

Preliminary W79E225A/227A Data Sheet

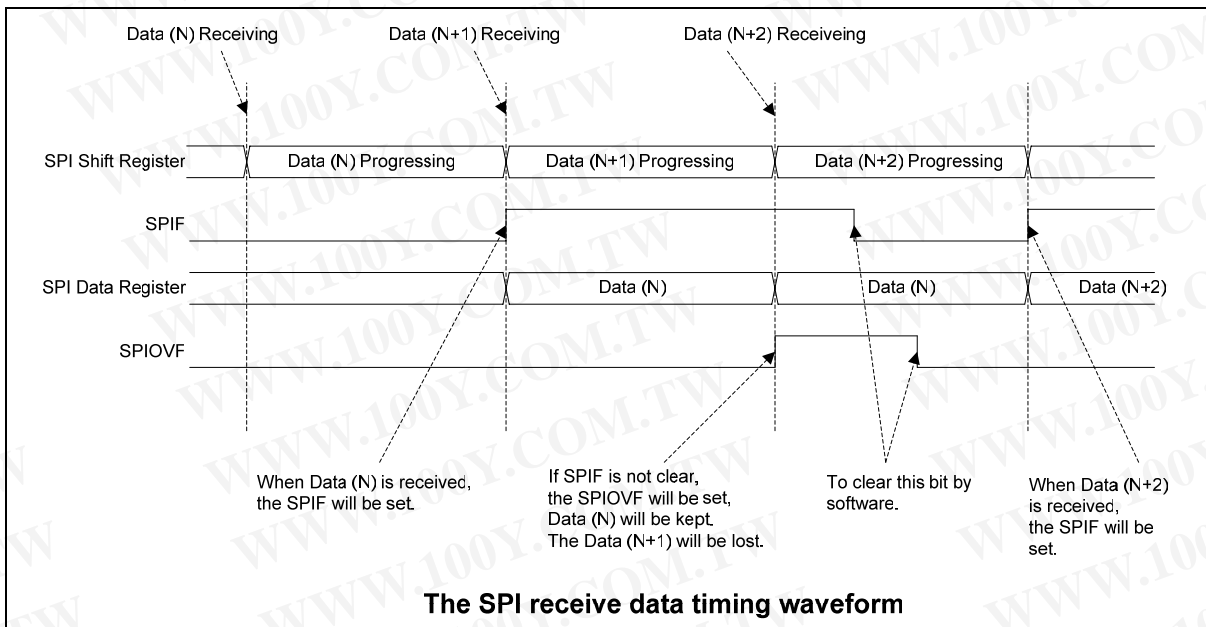


Figure 18-11: SPI Overrun Timing Waveform

18.3.8 LSB first enable

By default, this device transfer the SPI data most significant bit first. This device provides a control bit SPCR.LSBFE to allow support of transfer of SPI data in least significant bit first.

18.3.9 Write Collision detection

Write collision indicates that an attempt was made to write data to the SPDR while a transfer was in progress. SPDR is not double buffered in the transmit direction, any writes to SPDR cause data to be written directly into the SPI shift register. This write corrupts any transfer in progress, a write collision error is generated (WCOL will be set). The transfer continues undisturbed, and the write data that caused the error is not written to the shifter. A write collision is normally a slave error because a slave has no control over when a master initiates a transfer. A master knows when a transfer is in progress, so there is no reason for a master to generate a write-collision error, although the SPI logic can detect write collisions in both master and slave devices. WCOL flag is clear by software.

18.3.10 Transfer complete interrupt

This device consists of an interrupt flag at SPIF. This flag will be set upon completion of data transfer with external device, or when a new data have been received and copied to SPDR. If interrupt is enable (through ESPI), the SPI interrupt request will be generated, if global enable bit EA is also enabled. SPIF is software clear.

18.3.11 Mode Fault

Error arises in a multiple-master system when more than one SPI device simultaneously tries to be a master. This error is called a mode fault.

When the SPI system is configured as a master and the /SS input line goes to active low, a mode fault error has occurred — usually because two devices have attempted to act as master at the same time. In cases where more than one device is concurrently configured as a master, there is a chance of contention between two pin drivers. For push-pull CMOS drivers, this contention can cause permanent

Preliminary W79E225A/227A Data Sheet



damage. The mode fault mechanism attempts to protect the device by disabling the drivers. The MSTR and SPE control bits in the SPCR associated with the SPI are cleared by hardware and an interrupt is generated subject to masking by the ESPI control bit.

Other precautions may need to be taken to prevent driver damage. If two devices are made masters at the same time, mode fault does not help protect either one unless one of them selects the other as slave. The amount of damage possible depends on the length of time both devices attempt to act as master.

MODF bit is set automatically by SPI hardware, if the MSTR control bit is set and the slave select input pin becomes 0. This condition is not permitted in normal operation. In the case where /SS is set, it is an output pin rather than being dedicated as the /SS input for the SPI system. In this special case, the mode fault function is inhibited and MODF remains cleared. This flag is cleared by software.

The following shows the sample hardware connection and s/w flow for multi-master/slave environment. It shows how s/w handles mode fault.

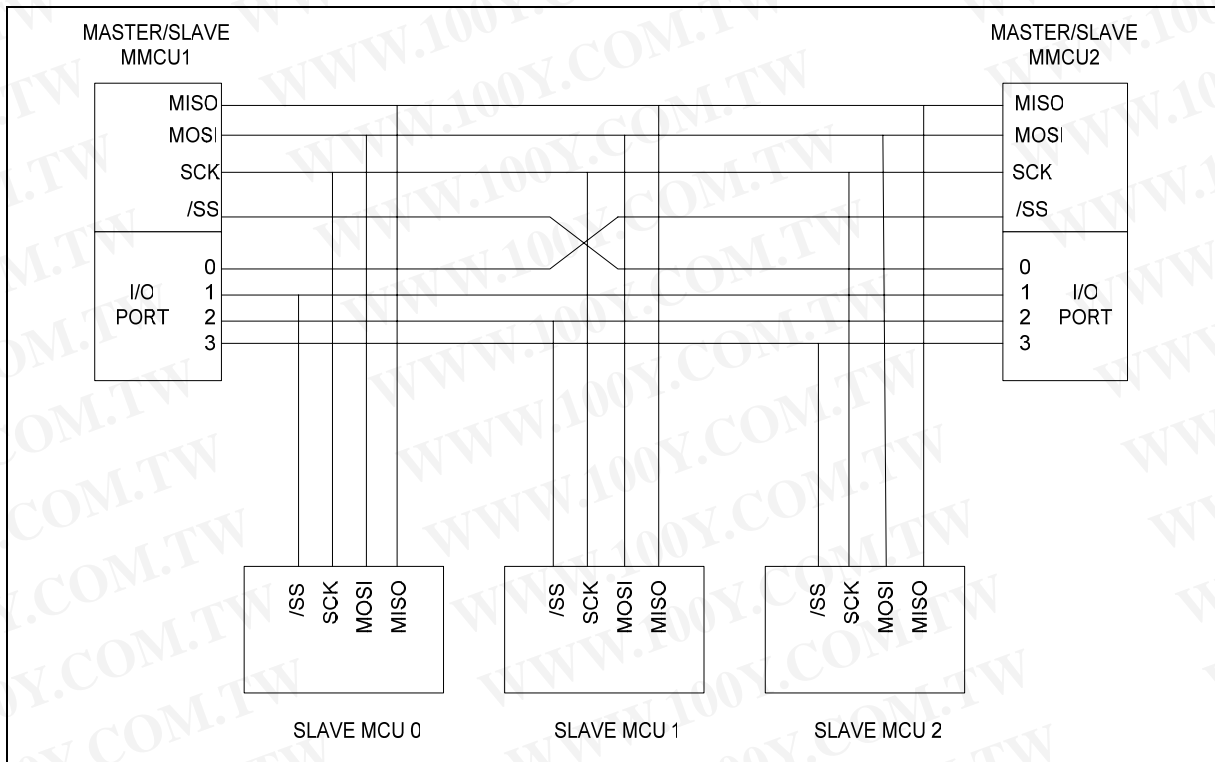


Figure 18-12: SPI multi-master slave environment

勝特力材料 886-3-5753170
勝特力电子(上海) 86-21-34970699
勝特力电子(深圳) 86-755-83298787
Http://www.100y.com.tw

Preliminary W79E225A/227A Data Sheet

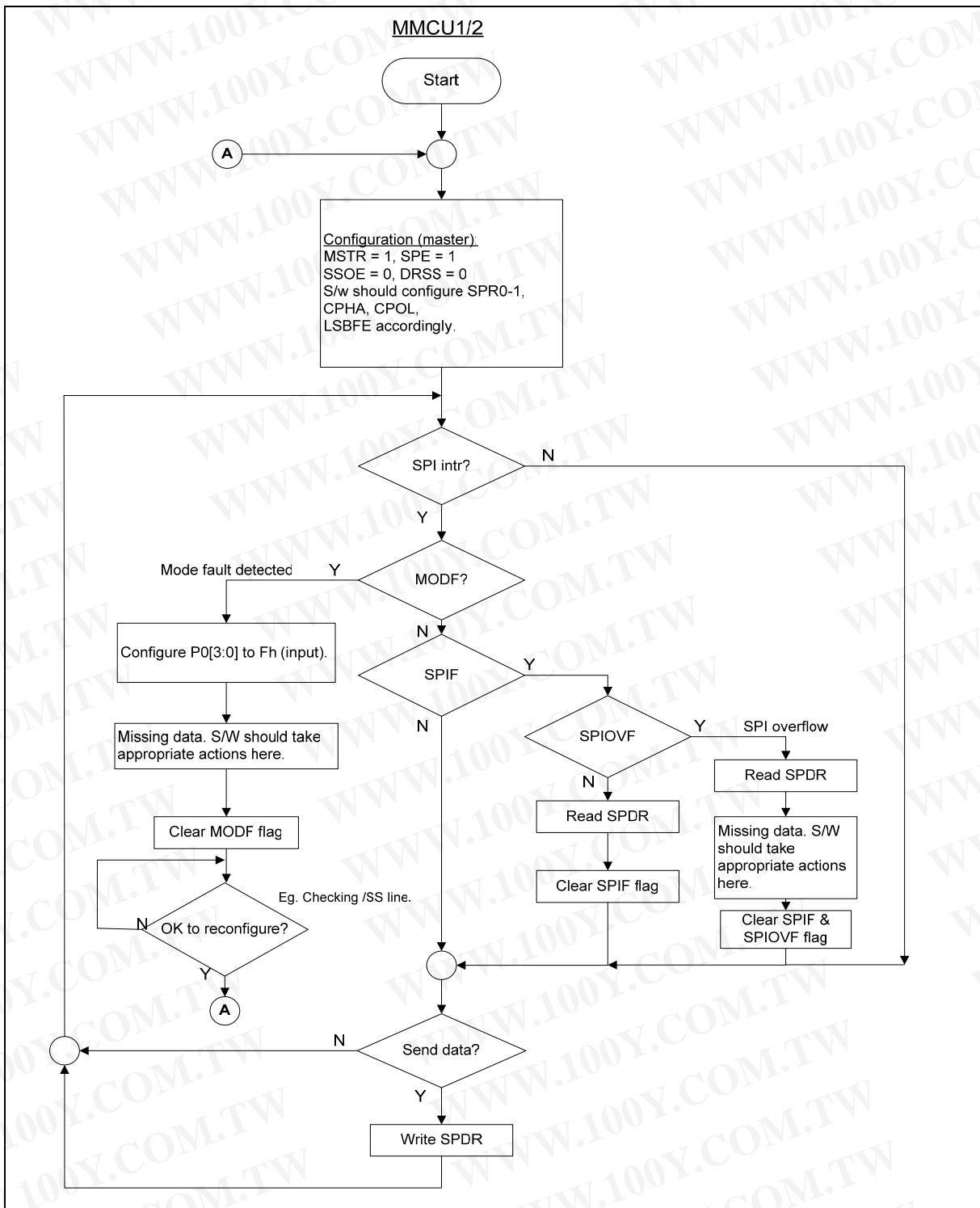


Figure 18-13: SPI multi-master slave s/w flow diagram

Preliminary W79E225A/227A Data Sheet



19. ANALOG-TO-DIGITAL CONVERTER

The ADC contains a digital-to-analog converter (DAC) that converts the contents of a successive approximation register to a voltage (V_{DAC}), which is compared to the analog input voltage (V_{in}). The output of the comparator is then fed back to the successive approximation control logic that controls the successive approximation register. This is illustrated in the figure below.

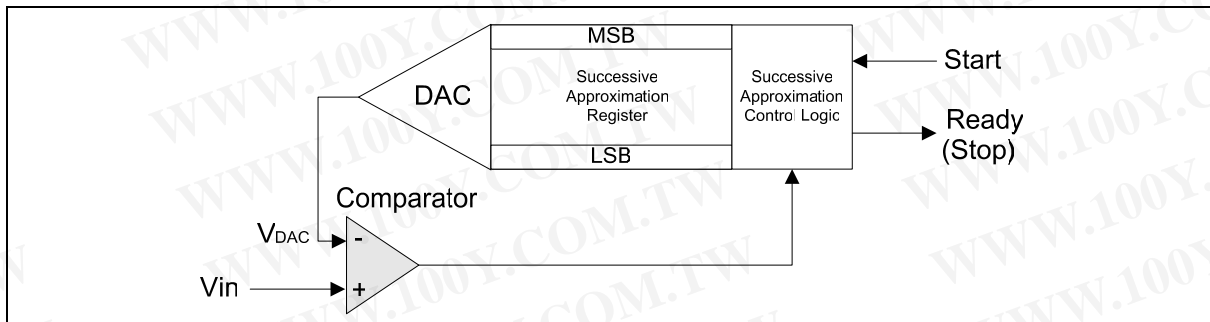


Figure 19-1: Successive Approximation ADC

19.1 Operation of ADC

A conversion can be initiated by software only or by either hardware or software. The software only start mode is selected when control bit ADCCON.5 (ADCEX) = 0. A conversion is then started by setting control bit ADCCON.3 (ADCS) to 1. The hardware or software start mode is selected when ADCCON.5 = 1, and a conversion may be started by setting ADCCON.3 = 1 as above or by applying a rising edge to external pin STADC (P4.0). When a conversion is started by applying a rising edge, a low level must be applied to STADC for at least one machine cycle followed by a high level for at least one machine cycle.

User sets ADCS to start converting then ADCS remains high while ADC is converting signal and will be automatically cleared by hardware when ADC conversion is completed. The end of the 10-bit conversion is flagged by control bit ADCCON.4 (ADCI). The upper 8 bits of the result are held in special function register ADCH, and the two remaining bits are held in ADCL.1 (ADC.1) and ADCL.0 (ADC.0). The user may ignore the two least significant bits in ADCL and use the ADC as an 8-bit converter (8 upper bits in ADCH). In any event, the total actual conversion time is 50 ADC clock input cycles.

Control bits from ADCCON.0 to ADCCON.2 are used to control an analog multiplexer which selects one of eight analog channels. An ADC conversion in progress is unaffected by an external or software ADC start. The result of a completed conversion remains unaffected provided ADCI = logic 1. The result of a completed conversion (ADCI = logic 1) remains unaffected when entering the idle mode.

The device supports maximum 8 analog input ports. 8 analog input ports share the I/O pins from P1.0 to P1.7. These I/O pins are switched to analog input ports by setting the bits of ADC Input Pin Select Register (DDIO) to logic 1.

Preliminary W79E225A/227A Data Sheet

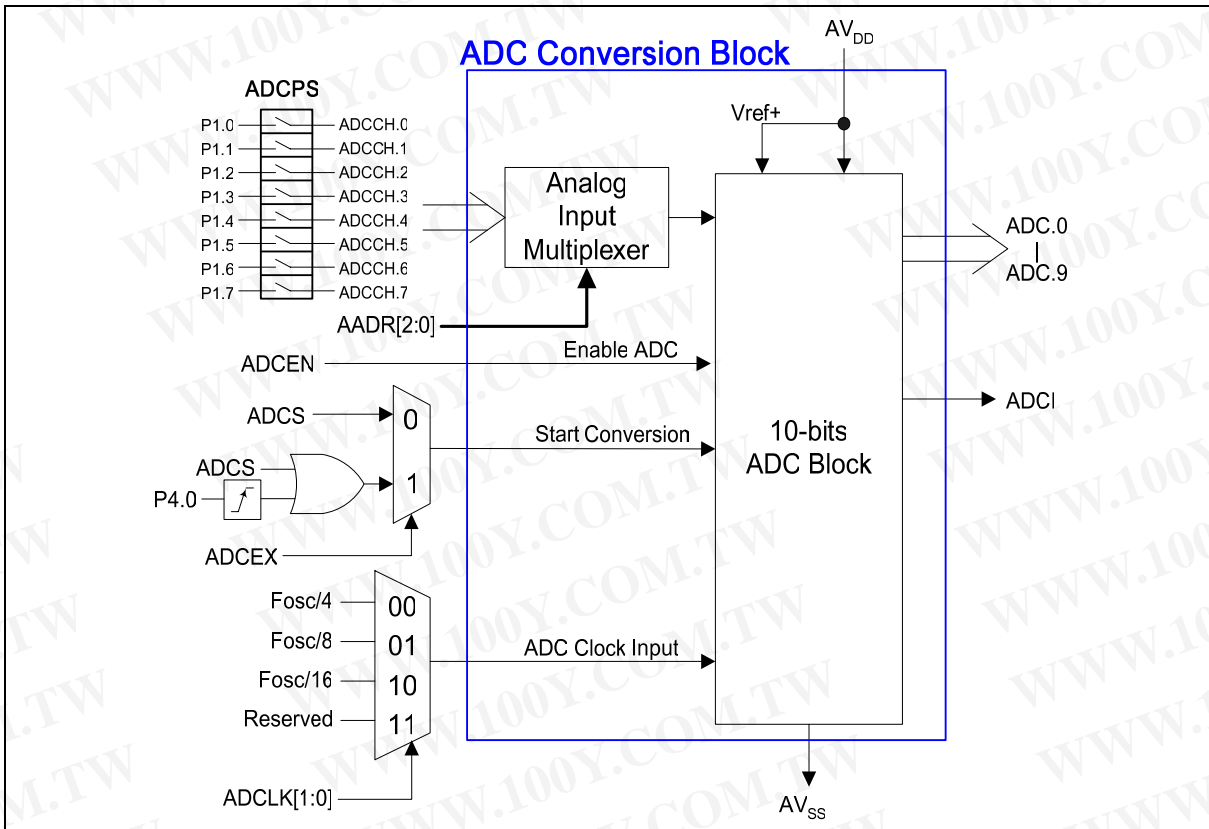


Figure 19-2: ADC Block Diagram

19.2 ADC Resolution and Analog Supply

The ADC circuit has its own supply pins (AV_{DD} and AV_{SS}) and one pins (V_{ref+}) connected to each end of the DAC's resistance-ladder that the AV_{DD} and V_{ref+} are connected to V_{DD} and AV_{SS} is connected to V_{SS} . The ladder has 1023 equally spaced taps, separated by a resistance of "R". The first tap is located $0.5 \times R$ above AV_{SS} , and the last tap is located $0.5 \times R$ below V_{ref+} . This gives a total ladder resistance of $1024 \times R$. This structure ensures that the DAC is monotonic and results in a symmetrical quantization error.

For input voltages between AV_{SS} and $[(V_{ref+}) + \frac{1}{2} \text{ LSB}]$, the 10-bit result of an A/D conversion will be $000000000B = 000H$. For input voltages between $[(V_{ref+}) - \frac{3}{2} \text{ LSB}]$ and V_{ref+} , the result of a conversion will be $111111111B = 3FFH$. AV_{ref+} and AV_{SS} may be between $AV_{DD} + 0.2V$ and $AV_{SS} - 0.2V$. AV_{ref+} should be positive with respect to AV_{SS} , and the input voltage (V_{in}) should be between AV_{ref+} and AV_{SS} .

The result can always be calculated from the following formula:

$$\text{Result} = 1024 \times \frac{V_{in}}{AV_{ref+}} \quad \text{or} \quad \text{Result} = 1024 \times \frac{V_{DD}}{V_{SS}}$$

Preliminary W79E225A/227A Data Sheet



20. TIMED ACCESS PROTECTION

The W79E225/227 has features like the Watchdog Timer, wait-state control signal and power-on/fail reset flag that are crucial to the proper operation of the system. If these features are unprotected, errant code may write critical control bits, resulting in incorrect operation and loss of control. To prevent this, the W79E225/227 provides has a timed-access protection scheme that controls write access to critical bits.

In this scheme, protected bits have a timed write-enable window. A write is successful only if this window is active; otherwise, the write is discarded. The write-enable window is opened in two steps. First, the software writes AAh to the Timed Access (TA) register. This starts a counter, which expires in three machine cycles. Then, if the software writes 55h to the TA register before the counter expires, the write-enable window is opened for three machine cycles. After three machine cycles, the window automatically closes, and the procedure must be repeated again to access protected bits.

The suggested code for opening the write-enable window is;

```
TA    REG    0C7h          ; Define new register TA, located at 0C7h
      MOV    TA, #0AAh
      MOV    TA, #055h
```

Five examples, some correct and some incorrect, of using timed-access protection are shown below.

Example 1: Valid access

```
MOV    TA, #0AAh          ; 3 M/C ; Note: M/C = Machine Cycles
MOV    TA, #055h          ; 3 M/C
MOV    WDCON, #00h        ; 3 M/C
```

Example 2: Valid access

```
MOV    TA, #0AAh          ; 3 M/C
MOV    TA, #055h          ; 3 M/C
NOP                                ; 1 M/C
SETB   EWT                 ; 2 M/C
```

Example 3: Valid access

```
MOV    TA, #0AAh          ; 3 M/C
MOV    TA, #055h          ; 3 M/C
ORL    WDCON, #00000010B ; 3M/C
```

Example 4: Invalid access

```
MOV    TA, #0AAh          ; 3 M/C
MOV    TA, #055h          ; 3 M/C
NOP                                ; 1 M/C
NOP                                ; 1 M/C
CLR    POR                 ; 2 M/C
```

Preliminary W79E225A/227A Data Sheet



Example 5: Invalid Access

MOV	TA, #0AAh	3 M/C
NOP		1 M/C
MOV	TA, #055h	3 M/C
SETB	EWT	2 M/C

In the first three examples, the protected bits are written before the window closes. In Example 4, however, the write occurs after the window has closed, so there is no change in the protected bit. In Example 5, the second write to TA occurs four machine cycles after the first write, so the timed access window is not opened at all, and the write to the protected bit fails.

Preliminary W79E225A/227A Data Sheet



21. PORT 4 STRUCTURE

Port 4 is a multi-function port that performs general purpose I/O port and chip-select strobe signals including read strobe, write strobe and read/write strobe signals. The 4 alternate modes are selected by P4xM1 and P4xM0. The function of chip-select strobe output provides that user can activate external devices by access to some specific address region.

Port 4 Control Register A

Bit:	7	6	5	4	3	2	1	0
	P41M1	P41M0	P41C1	P41C0	P40M1	P40M0	P40C1	P40C0

Mnemonic: P4CONA

Address: 92h

Port 4 Control Register B

Bit:	7	6	5	4	3	2	1	0
	P43M1	P43M0	P43C1	P43C0	P42M1	P42M0	P42C1	P42C0

Mnemonic: P4CONB

Address: 93h

BIT NAME	FUNCTION
P4xM1, P4xM0	<p>Port 4 alternate modes.</p> <p>=00: Mode 0. P4.x is a general purpose I/O port which is the same as Port 1.</p> <p>=01: Mode 1. P4.x is a Read Strobe signal for chip select purpose. The address range depends on the SFR P4xAH, P4xAL and bits P4xC1, P4xC0.</p> <p>=10: Mode 2. P4.x is a Write Strobe signal for chip select purpose. The address range depends on the SFR P4xAH, P4xAL and bits P4xC1, P4xC0.</p> <p>=11: Mode 3. P4.x is a Read/Write Strobe signal for chip select purpose. The address range depends on the SFR P4xAH, P4xAL and bits P4xC1, P4xC0</p>
P4xC1, P4xC0	<p>Port 4 Chip-select Mode address comparison:</p> <p>=00: Compare the full address (16 bits length) with the base address registers P4xAH and P4xAL.</p> <p>=01: Compare the 15 high bits (A15-A1) of address bus with the base address registers P4xAH and P4xAL.</p> <p>=10: Compare the 14 high bits (A15-A2) of address bus with the base address registers P4xAH and P4xAL.</p> <p>=11: Compare the 8 high bits (A15-A8) of address bus with the base address registers P4xAH and P4xAL.</p>

P40AH, P40AL:

The Base address registers for comparator of P4.0. P40AH contains the high-order byte of address; P40AL contains the low-order byte of address.

P41AH, P41AL:

The Base address registers for comparator of P4.1. P41AH contains the high-order byte of address; P41AL contains the low-order byte of address.

P42AH, P42AL:

The Base address registers for comparator of P4.2. P42AH contains the high-order byte of address; P42AL contains the low-order byte of address.

Preliminary W79E225A/227A Data Sheet



P43AH, P43AL:

The Base address registers for comparator of P4.3. P43AH contains the high-order byte of address; P43AL contains the low-order byte of address.

PORT 4

Bit:	7	6	5	4	3	2	1	0
	-	-	-	-	P4.3	P4.2	P4.1	P4.0

Mnemonic: P4

Address: A5h

P4.3-0 Port 4 is a bi-directional I/O port with internal pull-ups.

PORT 4 CHIP-SELECT POLARITY

Bit:	7	6	5	4	3	2	1	0
	P43INV	P42INV	P42INV	P40INV	-	PWDNH	RMWFP	PUP0

Mnemonic: P4CSIN

Address: A2h

P4xINV The active polarity of P4.x when it is set as a chip-select strobe output. High = Active High. Low = Active Low.

PWDNH Set PWDNH to logic 1 then ALE and PSEN will keep high state, clear this bit to logic 0 then ALE and PSEN will output low during power down mode.

RMWFP Control Read Path of Instruction "Read-Modify-Write". When this bit is set, the read path of executing "read-modify-write" instruction is from port pin otherwise from SFR.

PUP0 Enable Port 0 weak pull up.

Preliminary W79E225A/227A Data Sheet

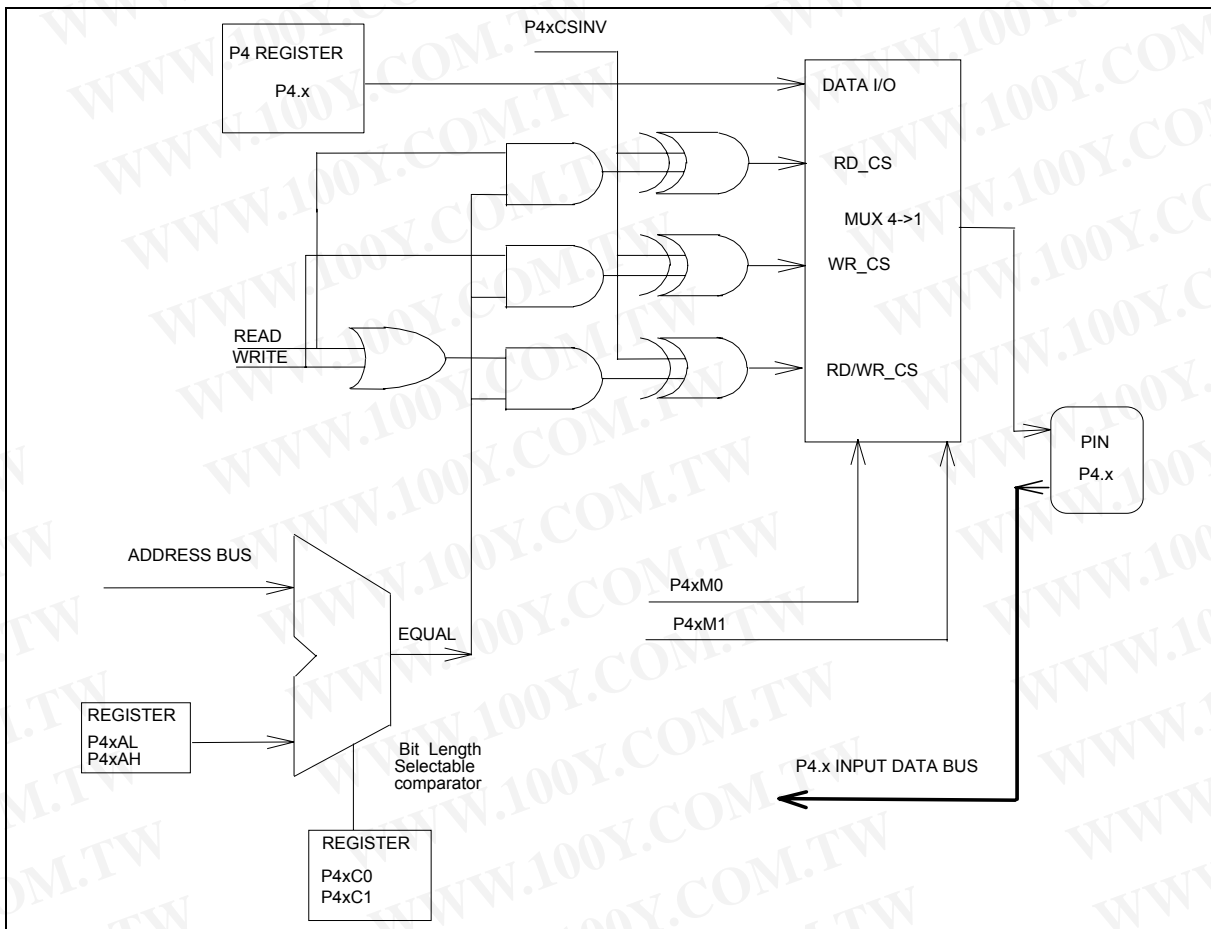


Figure 21-1 Port 4 Structure Diagram

Here is an example to program the P4.0 as a write strobe signal at the I/O port address 1234H ~1237H and positive polarity, and P4.1 ~ P4.3 are used as general I/O ports.

```

MOV  P40AH, #12H
MOV  P40AL, #34H           ;Define the base I/O address 1234H for P4.0 as an special function
MOV  P4CONA, #00001010B   ;Define the P4.0 as a write strobe signal pin and the compared
                           ;address is [A15:A2]
MOV  P4CONB, #00H         ;P4.1~P4.3 as general I/O port which are the same as PORT1
MOV  P4CSIN, #10H         ;Write the P40CSINV =1 to inverse the P4.0 write strobe polarity
    
```

Then any instruction writes data to address from 1234H to 1237H, for example MOVX @DPTR,A (with DPTR=1234H~1237H), will generate the positive polarity write strobe signal at pin P4.0. And the instruction of "MOV P4, #XX" will output the bit3 to bit1 of data #XX to pin P4.3~ P4.1.

Note: P4.2 and P4.3 pins are available in 48L LQFP package only.

Preliminary W79E225A/227A Data Sheet



22. IN-SYSTEM PROGRAMMING

22.1 The Loader Program Locates at LDFlash Memory

CPU is Free Run at APFlash memory. CHPCON register had been set #03H value before CPU has entered idle state. CPU will switch to LDFlash memory and execute a reset action. H/W reboot mode will switch to LDFlash memory, too. Set SFRCN register where it locates at user's loader program to update APFlash bank 0 memory. Set a SWRESET (CHPCON=#83H) to switch back APFlash after CPU has updated APFlash program. CPU will restart to run program from reset state.

22.2 The Loader Program Locates at APFlash Memory

CPU is Free Run at APFlash memory. CHPCON register had been set #01H value before CPU has entered idle state. Set SFRCN register to update LDFlash or another bank of APFlash program. CPU will continue to run user's APFlash program after CPU has updated program. Please refer demonstrative code to understand other detail description.

Preliminary W79E225A/227A Data Sheet



23. OPTION BITS

This device has two CONFIG bits (CONFIG0, CONFIG1) that must be define at power up and can not be set after the program start of execution. Those features are configured through the use of two flash EPROM bytes, and the flash EPROM can be programmed and verified repeatedly. Until the code inside the Flash EPROM is confirmed OK, the code can be protected. The protection of flash EPROM and those operations of the configuration bits are described below.

23.1 Config0

BIT	DESCRIPTION
B0	=0: Lock data out
B1	=0: MOV C Inhibited
B2	=0; 1/2K Data Flash EPROM lock bit
B3	Reserved
B4	=1: Disable H/W reboot by P3.6 and P3.7 =0: Enable H/W reboot by P3.6 and P3.7
B5	=1: Disable H/W reboot by P4.3 =0: Enable H/W reboot by P4.3 <i>Note: Support in 48L LQFP package only.</i>
B6	Reserved
B7	=1: Crystal > 24MHz =0: Crystal < 24MHz

Table 23-1 Config0 Option Bits

B0: Lock bit

This bit is used to protect the customer's program code in the W79E225/227. After the programmer finishes the programming and verifies sequence B0 can be cleared to logic 0 to protect code from reading by any access path. Once this bit is set to logic 0, both the Flash EPROM data and Special Setting Registers can not be accessed again.

B1: MOV C Inhibit

This bit is used to restrict the accessible region of the MOV C instruction. It can prevent the MOV C instruction in external program memory from reading the internal program code. When this bit is set to logic 0, a MOV C instruction in external program memory space will be able to access code only in the external memory, not in the internal memory. A MOV C instruction in internal program memory space will always be able to access the ROM data in both internal and external memory. If this bit is logic 1, there are no restrictions on the MOV C instruction.

B4: H/W Reboot with P3.6 and P3.7

If this bit is set to logic 0, enable to reboot 4k LD Flash mode while RST =H, P3.6 = L and P3.7 = L state. CPU will start from LD Flash to update the user's program.

B5: H/W Reboot with P4.3

If this bit is set to logic 0, enable to reboot 4k LD Flash mode while RST =H and P4.3 = L state. CPU will start from LD Flash to update the user's program

勝特力材料 86-3-5753170
勝特力电子(上海) 86-21-34970699
勝特力电子(深圳) 86-755-83298787
[Http://www.100y.com.tw](http://www.100y.com.tw)

Publication Release Date: December 14, 2007

Preliminary W79E225A/227A Data Sheet



B7: Select clock frequency.

If clock frequency is over 24MHz, then set this bit is H. If clock frequency is less than 24MHz, then clear this bit.

23.2 Config1

BITS	NAME	FUNCTION
Bit 0	PWMOE	PWM Odd Channel 1, 3 and 5 Enable. 1: Disable (default). 0: Enable odd PWM outputs to corresponding pins.
Bit 1	PWMEE	PWM Even Channel 0, 2 and 4 Enable. 1: Disable (default) 0: Enable odd PWM outputs to corresponding pins.
Bit 2	OPOL	Define the polarity of PWM output after CPU reset, OPOL controls odd PWM outputs. 1: Initial output high 0: Initial output low
Bit 3	EPOL	Define the polarity of PWM output after CPU reset, EPOL control even PWM outputs. 1: Initial output high 0: Initial output low
Bit 4-5	-	Reserved.
Bit 6	PWM6E	PWM Channel 6 Output Enable. 1: Disable (default). 0: Enable PWM6 output to corresponding pin.
Bit 7	PWM7E	PWM Channel 7 Output Enable. 1: Disable (default). 0: Enable PWM7 output to corresponding pin.

Table 23-2: Config 1 Option Bits

勝特力材料 886-3-5753170
勝特力电子(上海) 86-21-34970699
勝特力电子(深圳) 86-755-83298787
[Http://www.100y.com.tw](http://www.100y.com.tw)

Preliminary W79E225A/227A Data Sheet



24. ELECTRICAL CHARACTERISTICS

24.1 Absolute Maximum Ratings

SYMBOL	PARAMETER	CONDITION	RATING	UNIT
DC Power Supply	$V_{DD} - V_{SS}$	-0.3	+7.0	V
Input Voltage	V_{IN}	$V_{SS} - 0.3$	$V_{DD} + 0.3$	V
Operating Temperature	T_A	-40	+85	°C
Storage Temperature	T_{st}	-55	+150	°C

Note: Exposure to conditions beyond those listed under Absolute Maximum Ratings may adversely affect the life and reliability of the device.

24.2 DC Characteristics

($V_{DD} - V_{SS} = 5V \pm 10\%$, $T_A = 25^\circ\text{C}$, $F_{osc} = 20\text{ MHz}$, unless otherwise specified.)

PARAMETER	SYMBOL	SPECIFICATION			UNIT	TEST CONDITIONS
		MIN	TYP	MAX		
Operating Voltage	V_{DD1}	4.5		5.5	V	$V_{DD} = 4.5V \sim 5.5V @ 40\text{MHz}$
	V_{DD2}	2.7		5.5		$V_{DD} = 2.7V \sim 5.5V @ 20\text{MHz}$
	V_{DD3}	4.5		5.5		$V_{DD} = 4.5V \sim 5.5V @ 24\text{MHz (external access)}$
	V_{DD4}	3.0				NVM program/erase operation.
Operating Current	I_{DD1}	-	58	65	mA	Run NOP $V_{DD} = 5.5V$ at 40MHz
	I_{DD2}	-	37	45		mA
	I_{DD3}	-	15	20	mA	
	I_{DD4}	-	12	16		mA
	I_{DD5}	-	50	60	mA	
	I_{DD6}	-	33	38		mA
	I_{DD7}	-	12	17	mA	
	I_{DD8}	-	10	15		mA

Preliminary W79E225A/227A Data Sheet



DC Characteristics, continued

PARAMETER	SYMBOL	SPECIFICATION			UNIT	TEST CONDITIONS
		MIN	TYP	MAX		
Idle Current	I _{IDLE1}		35	42	mA	V _{DD} =5.5V at 40MHz (I/O High)
						V _{DD} =5.5V at 40MHz (I/O Low)
	I _{IDLE2}	-	20	25	mA	V _{DD} =5.5V at 20MHz (I/O High)
						V _{DD} =5.5V at 20MHz (I/O Low)
	I _{IDLE3}	-	9	14	mA	V _{DD} =3.0V at 20MHz (I/O High)
				V _{DD} =3.0V at 20MHz (I/O Low)		
I _{IDLE4}	-	8	11	mA	V _{DD} =2.7V at 20MHz	
Power Down Current	I _{PWDN}	-	-	10	uA	V _{DD} =2.7V~5.5V
Input Current P1, P2, P3, P4, P5	I _{IN1}	-95	-55	10	uA	V _{DD} =5.5V
						V _{IN} =0V or V _{DD}
Input Current RST	I _{IN2}	-10	50	300	uA	V _{DD} =5.5V
						0<V _{IN} <V _{DD}
Input Leakage Current P0, /EA	I _{LK}	-10	0	10	uA	V _{DD} =5.5V
						0V<V _{IN} <V _{DD}
Logic 1 to 0 Transition Current P1, P2, P3, P4, P5 ^[*4]	I _{TL} ^[*4]	-500	-	-200	uA	V _{DD} = 5.5V
						V _{IN} » 2.85V
Input Low Voltage P0, P1, P2, P3, P4, P5, /EA (Schmitt input)	V _{IL1}	0	0.8	0.3 V _{DD}	V	V _{DD} = 4.5V
Input High Voltage P0, P1, P2, P3, P4, P5, /EA (Schmitt input)	V _{IH1}	0.7 V _{DD}	2.0	V _{DD} +0.2	V	V _{DD} = 5.5V
Hysteresis Voltage	V _{HY}	-	0.2 V _{DD}	-		
Input Low Voltage RST ^[*1]	V _{IL21}	-	1.0	1.6	V	V _{DD} =4.5V
	V _{IL22}	-	0.7	0.8		V _{DD} =2.7V
Input High Voltage RST ^[*1]	V _{IH21}	3.5	2.3	V _{DD} +0.2	V	V _{DD} =5.5V
	V _{IH22}	2	1.5	V _{DD} +0.2		V _{DD} =2.7V
Input Low Voltage XTAL1 ^[*3]	V _{IL31}	0	-	0.8	V	V _{DD} =4.5V
	V _{IL32}	0	-	0.4		V _{DD} =2.7V
Input High Voltage XTAL1 ^[*3]	V _{IH31}	4.0	-	V _{DD} +0.2	V	V _{DD} =5.5V
	V _{IH32}	2.5	-	V _{DD} +0.2		V _{DD} =2.7V

Publication Release Date: December 14, 2007

Preliminary W79E225A/227A Data Sheet



DC Characteristics, continued

PARAMETER	SYMBOL	SPECIFICATION			UNIT	TEST CONDITIONS
		MIN	TYP	MAX		
Source Current P2.0~P2.5, P5.0~P5.1 (PUSH-PULL Mode) PWM pins	I _{SR11}	-22	-31	-42	mA	V _{DD} = 4.5V, V _S = 2.4V
	I _{SR12}	-6	-9	-13		V _{DD} = 2.7V, V _S = 2.0V
Source Current P1, P2, P3, P4, P5 (Quasi- bidirectional mode)	I _{SR21}	-200	-300	-430	uA	V _{DD} = 4.5V, V _S = 2.4V
	I _{SR22}	-50	-82	-115		V _{DD} = 2.7V, V _S = 2.0V
Sink Current P2.0~P2.5, P5.0~P5.1 (PUSH-PULL Mode)	I _{SK11}	18	22	32	mA	V _{DD} = 4.5V, V _S = 0.45V
	I _{SK12}	10	15	25		V _{DD} = 2.7V, V _S = 0.45V
Sink Current P0,P1,P2, P3,P4,P5 (Quasi- bidirectional mode)	I _{SK21}	4	5	6	mA	V _{DD} = 4.5V, V _S = 0.45V
	I _{SK22}	3	3.5	5		V _{DD} = 2.7V, V _S = 0.45V
Output Low Voltage P2.0~P2.5, P5.0~P5.1 (PUSH-PULL Mode)	V _{OL11}	-	0.35	-	V	V _{DD} = 4.5V, I _{OL} = 20 mA
	V _{OL12}	-	0.07	-		V _{DD} = 2.7V, I _{OL} = 3.2 mA
Output Low Voltage P0, P1, P2, P3, P4, P5 (Quasi-bidirectional Mode)	V _{OL21}	-	0.35	-	V	V _{DD} = 4.5V, I _{OL} = 4.0 mA
	V _{OL22}	-	0.35	-		V _{DD} = 2.7V, I _{OL} = 3.0 mA
Output High Voltage P2.0~P2.5, P5.0~P5.1 (PUSH-PULL Mode)	V _{OH11}	-	3.3	-	V	V _{DD} = 4.5V, I _{OH} = -20mA
	V _{OH12}	-	2.5	-		V _{DD} = 2.7V, I _{OH} = -3.2mA
Output High Voltage P1, P2, P3, P4, P5, P6, P7 (Quasi-bidirectional Mode)	V _{OH21}	-	4.1	-	V	V _{DD} = 4.5V, I _{OH} = -100uA
	V _{OH22}	-	2.52	-		V _{DD} = 2.7V, I _{OH} = -30uA
Sink current ^[*2] P0, P2, ALE, /PSEN	I _{sk31}	3	5	8	mA	V _{DD} =4.5V, V _S = 0.45V
	I _{sk32}	2.5	3.5	6		V _{DD} =2.7V, V _S = 0.45V
Source current ^[*2] P0, P2, ALE, /PSEN	I _{sr31}	-6	-7.5	-9	mA	V _{DD} =4.5V, V _S = 2.4V
	I _{sr32}	-1	-2	-3		V _{DD} =2.7V, V _S = 2.0V

Notes: *1. RST pin is a Schmitt trigger input. RST has internal pull-low resistors about 60kΩ.

*2. P0, P2, ALE and /PSEN are tested in the external access mode.

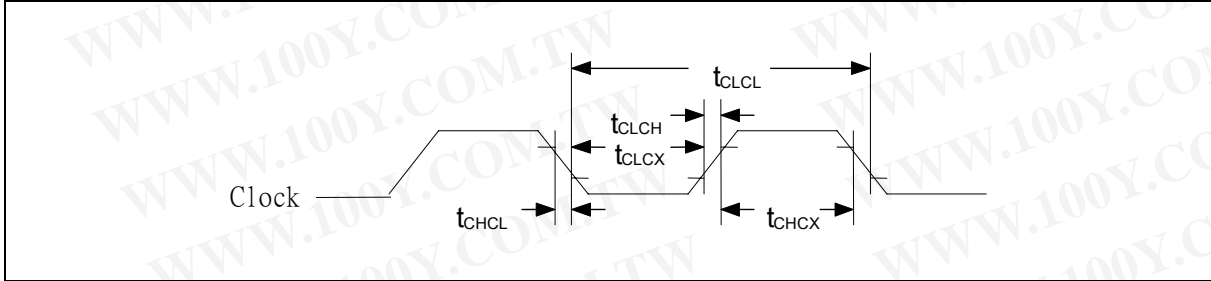
*3. XTAL1 is a CMOS input.

*4. Pins of P1, P2, P3, P4, P5 can source a transition current when they are being externally driven from 1 to 0. The transition current reaches its maximum value when VIN approximates to 2V.

Preliminary W79E225A/227A Data Sheet



24.3 AC Characteristics



Note: Duty cycle is 50%.

24.3.1 External Clock Characteristics

PARAMETER	SYMBOL	MIN.	TYP.	MAX.	UNITS	NOTES
Clock High Time	t_{CHCX}	12	-	-	nS	
Clock Low Time	t_{CLCX}	12	-	-	nS	
Clock Rise Time	t_{CLCH}	-	-	10	nS	
Clock Fall Time	t_{CHCL}	-	-	10	nS	

24.3.2 AC Specification

($V_{DD} - V_{SS} = 5V \pm 10\%$, $T_A = 25^\circ C$, $F_{osc} = 20$ MHz, unless otherwise specified.)

PARAMETER	SYMBOL	VARIABLE CLOCK MIN.	VARIABLE CLOCK MAX.	UNITS
Oscillator Frequency	$1/t_{CLCL}$	0	40^1	MHz
Oscillator Frequency	$1/t_{CLCL}$	0	24^2	MHz
ALE Pulse Width	t_{LHLL}	$1.5t_{CLCL} - 5$		nS
Address Valid to ALE Low	t_{AVLL}	$0.5t_{CLCL} - 5$		nS
Address Hold After ALE Low	t_{LLAX1}	$0.5t_{CLCL} - 5$		nS
Address Hold After ALE Low for MOVX Write	t_{LLAX2}	$0.5t_{CLCL} - 5$		nS
ALE Low to Valid Instruction In	t_{LLIV}		$2.5t_{CLCL} - 20$	nS
ALE Low to PSEN Low	t_{LLPL}	$0.5t_{CLCL} - 5$		nS
\overline{PSEN} Pulse Width	t_{PLPH}	$2.0t_{CLCL} - 5$		nS
\overline{PSEN} Low to Valid Instruction In	t_{PLIV}		$2.0t_{CLCL} - 20$	nS
Input Instruction Hold After PSEN	t_{PXIX}	0		nS
Input Instruction Float After PSEN	t_{PXIZ}		$t_{CLCL} - 5$	nS
Port 0 Address to Valid Instr. In	t_{AVIV1}		$3.0t_{CLCL} - 20$	nS

Preliminary W79E225A/227A Data Sheet



AC Specification, continued

PARAMETER	SYMBOL	VARIABLE CLOCK MIN.	VARIABLE CLOCK MAX.	UNITS
Port 2 Address to Valid Instr. In	t_{AVIV2}		$3.5t_{CLCL} - 20$	nS
\overline{PSEN} Low to Address Float	t_{PLAZ}	0		nS
Data Hold After Read	t_{RHDX}	0		nS
Data Float After Read	t_{RHDZ}		$t_{CLCL} - 5$	nS
\overline{RD} Low to Address Float	t_{RLAZ}		$0.5t_{CLCL} - 5$	nS

- Note:**
1. CPU executes the program stored in the internal APFlash at $V_{DD}=5.0V$
 2. CPU executes the program stored in the external memory at $V_{DD}=5.0V$

24.3.3 MOVX Characteristics Using Stretch Memory Cycle

PARAMETER	SYMBOL	VARIABLE CLOCK MIN.	VARIABLE CLOCK MAX.	UNITS	STRECH
Data Access ALE Pulse Width	t_{LLHL2}	$1.5t_{CLCL} - 5$ $2.0t_{CLCL} - 5$		nS	$t_{MCS} = 0$ $t_{MCS} > 0$
Address Hold After ALE Low for MOVX write	t_{LLAX2}	$0.5t_{CLCL} - 5$		nS	
\overline{RD} Pulse Width	t_{RLRH}	$2.0t_{CLCL} - 5$ $t_{MCS} - 10$		nS	$t_{MCS} = 0$ $t_{MCS} > 0$
\overline{WR} Pulse Width	t_{WLWH}	$2.0t_{CLCL} - 5$ $t_{MCS} - 10$		nS	$t_{MCS} = 0$ $t_{MCS} > 0$
\overline{RD} Low to Valid Data In	t_{RLDV}		$2.0t_{CLCL} - 20$ $t_{MCS} - 20$	nS	$t_{MCS} = 0$ $t_{MCS} > 0$
Data Hold after Read	t_{RHDX}	0		nS	
Data Float after Read	t_{RHDZ}		$t_{CLCL} - 5$ $2.0t_{CLCL} - 5$	nS	$t_{MCS} = 0$ $t_{MCS} > 0$
ALE Low to Valid Data In	t_{LLDV}		$2.5t_{CLCL} - 5$ $t_{MCS} + 2t_{CLCL} - 40$	nS	$t_{MCS} = 0$ $t_{MCS} > 0$
Port 0 Address to Valid Data In	t_{AVDV1}		$3.0t_{CLCL} - 20$ $2.0t_{CLCL} - 5$	nS	$t_{MCS} = 0$ $t_{MCS} > 0$
ALE Low to \overline{RD} or \overline{WR} Low	t_{LLWL}	$0.5t_{CLCL} - 5$ $1.5t_{CLCL} - 5$	$0.5t_{CLCL} + 5$ $1.5t_{CLCL} + 5$	nS	$t_{MCS} = 0$ $t_{MCS} > 0$
Port 0 Address to \overline{RD} or \overline{WR} Low	t_{AVWL}	$t_{CLCL} - 5$ $2.0t_{CLCL} - 5$		nS	$t_{MCS} = 0$ $t_{MCS} > 0$

Preliminary W79E225A/227A Data Sheet



MOVX Characteristics Using Stretch Memory Cycle, continued

PARAMETER	SYMBOL	VARIABLE CLOCK MIN.	VARIABLE CLOCK MAX.	UNITS	STRECH
Port 2 Address to \overline{RD} or \overline{WR} Low	t_{AVWL2}	$1.5t_{CLCL} - 5$ $2.5t_{CLCL} - 5$		nS	$t_{MCS} = 0$ $t_{MCS} > 0$
Data Valid to WR Transition	t_{QVWX}	-5 $1.0t_{CLCL} - 5$		nS	$t_{MCS} = 0$ $t_{MCS} > 0$
Data Hold after Write	t_{WHQX}	$t_{CLCL} - 5$ $2.0t_{CLCL} - 5$		nS	$t_{MCS} = 0$ $t_{MCS} > 0$
\overline{RD} Low to Address Float	t_{RLAZ}		$0.5t_{CLCL} - 5$	nS	
\overline{RD} or \overline{WR} high to ALE high	t_{WHLH}	0 $1.0t_{CLCL} - 5$	10 $1.0t_{CLCL} + 5$	nS	$t_{MCS} = 0$ $t_{MCS} > 0$

Note: t_{MCS} is a time period related to the Stretch memory cycle selection. The following table shows the time period of t_{MCS} for each selection of the Stretch value.

M2	M1	M0	MOVX CYCLES	T_{MCS}
0	0	0	2 machine cycles	0
0	0	1	3 machine cycles	$4 t_{CLCL}$
0	1	0	4 machine cycles	$8 t_{CLCL}$
0	1	1	5 machine cycles	$12 t_{CLCL}$
1	0	0	6 machine cycles	$16 t_{CLCL}$
1	0	1	7 machine cycles	$20 t_{CLCL}$
1	1	0	8 machine cycles	$24 t_{CLCL}$
1	1	1	9 machine cycles	$28 t_{CLCL}$

Explanation of Logics Symbols

In order to maintain compatibility with the original 8051 family, this device specifies the same parameter for each device, using the same symbols. The explanation of the symbols is as follows.

t	Time	A	Address
C	Clock	D	Input Data
H	Logic level high	L	Logic level low
I	Instruction	P	\overline{PSEN}
Q	Output Data	R	\overline{RD} signal
V	Valid	W	\overline{WR} signal
X	No longer a valid state	Z	Tri-state

Preliminary W79E225A/227A Data Sheet



24.4 The ADC Converter DC ELECTRICAL CHARACTERISTICS

($V_{DD}-V_{SS} = 3.0\sim 5V\pm 10\%$, $T_A = -40\sim 85^\circ C$, $F_{osc} = 20MHz$, unless otherwise specified.)

PARAMETER	SYMBOL	SPECIFICATION			
		MIN.	TYP.	MAX.	UNIT
Analog input	AVin	$V_{SS}-0.2$		$V_{DD}+0.2$	V
ADC clock	ADCCLK	200KHz	-	5MHz	Hz
Conversion time	t_c		$52t_{ADC}^1$		us
Differential non-linearity	DNL	-1	-	+1	LSB
Integral non-linearity	INL	-2	-	+2	LSB
Offset error	Ofe	-1	-	+1	LSB
Gain error	Ge	-1	-	+1	%
Absolute voltage error	Ae	-3	-	+3	LSB

Notes:1. t_{ADC} : The period time of ADC input clock.

24.5 I2C Bus Timing Characteristics

PARAMETER	SYMBOL	STANDARD MODE I2C BUS		UNIT
		MIN.	MAX.	
SCL clock frequency	f_{SCL}	0	100	kHz
bus free time between a STOP and START condition	t_{BUF}	4.7	-	uS
Hold time (repeated) START condition. After this period, the first clock pulse is generated	$t_{HD;STA}$	4.0	-	uS
Low period of the SCL clock	t_{LOW}	4.7	-	uS
HIGH period of the SCL clock	t_{HIGH}	4.0	-	uS
Set-up time for a repeated START condition	$t_{SU;STA}$	4.7	-	uS
Data hold time	$t_{HD;DAT}$	5.0	-	uS
Data set-up time	$t_{SU;DAT}$	250	-	nS
Rise time of both SDA and SCL signals	t_r	-	1000	nS
Fall time of both SDA and SCL signals	t_f	-	300	nS
Set-up time for STOP condition	$t_{SU;STO}$	4.0	-	uS
Capacitive load for each bus line	C_b	-	400	pF

Preliminary W79E225A/227A Data Sheet

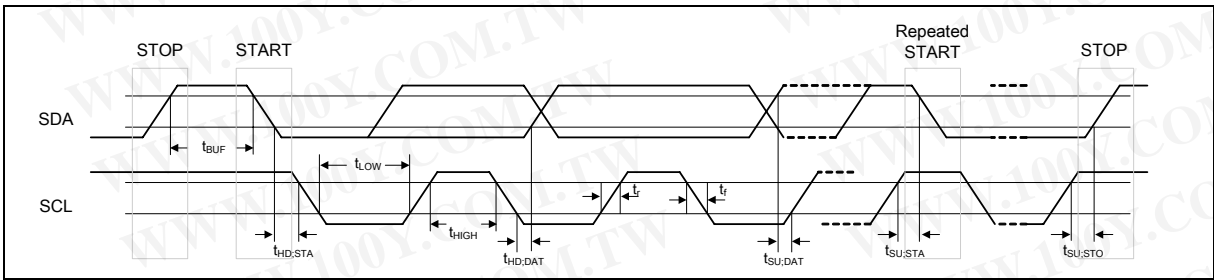
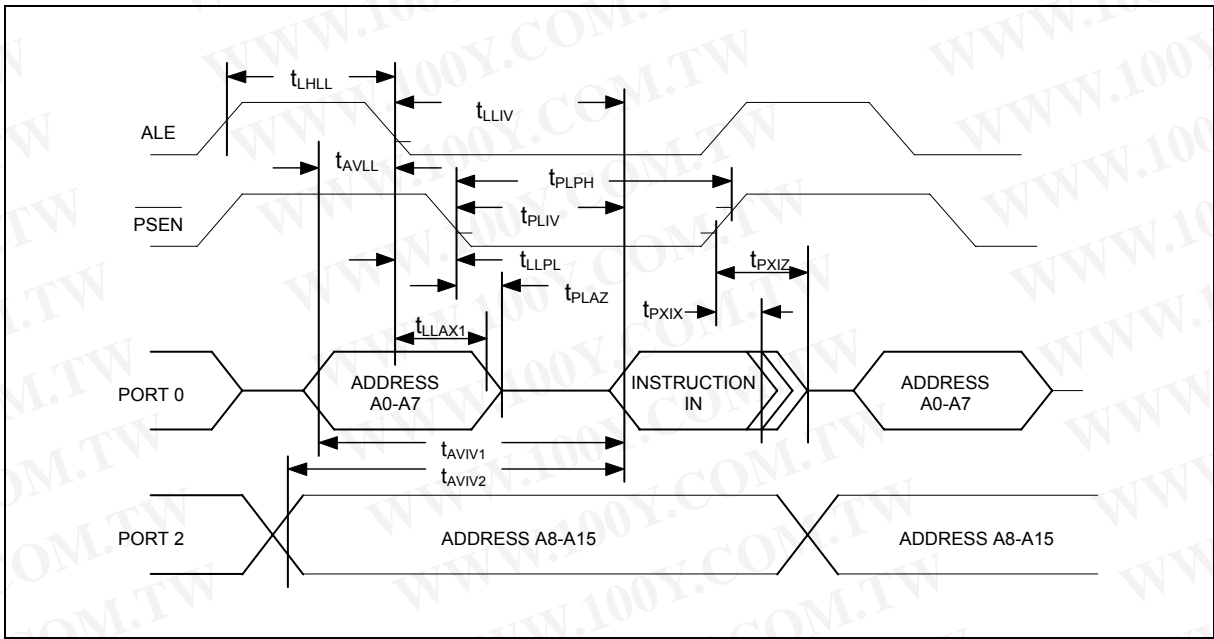


Figure 24-1: I2C Bus Timing

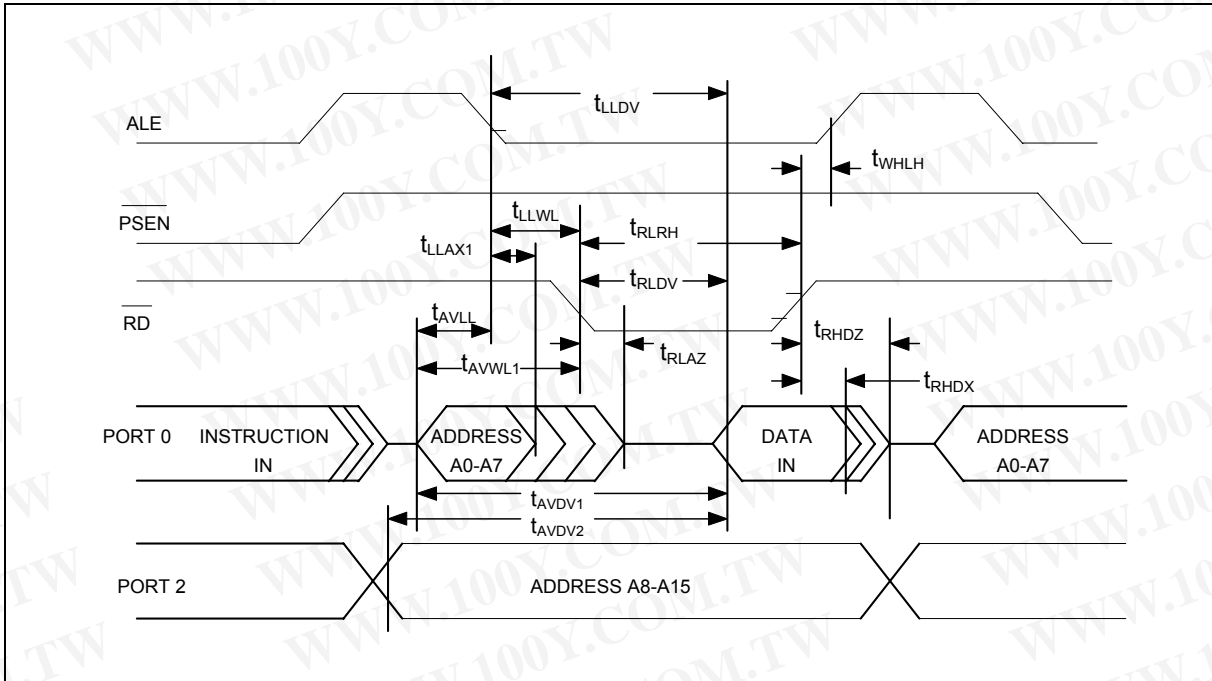
24.6 Program Memory Read Cycle



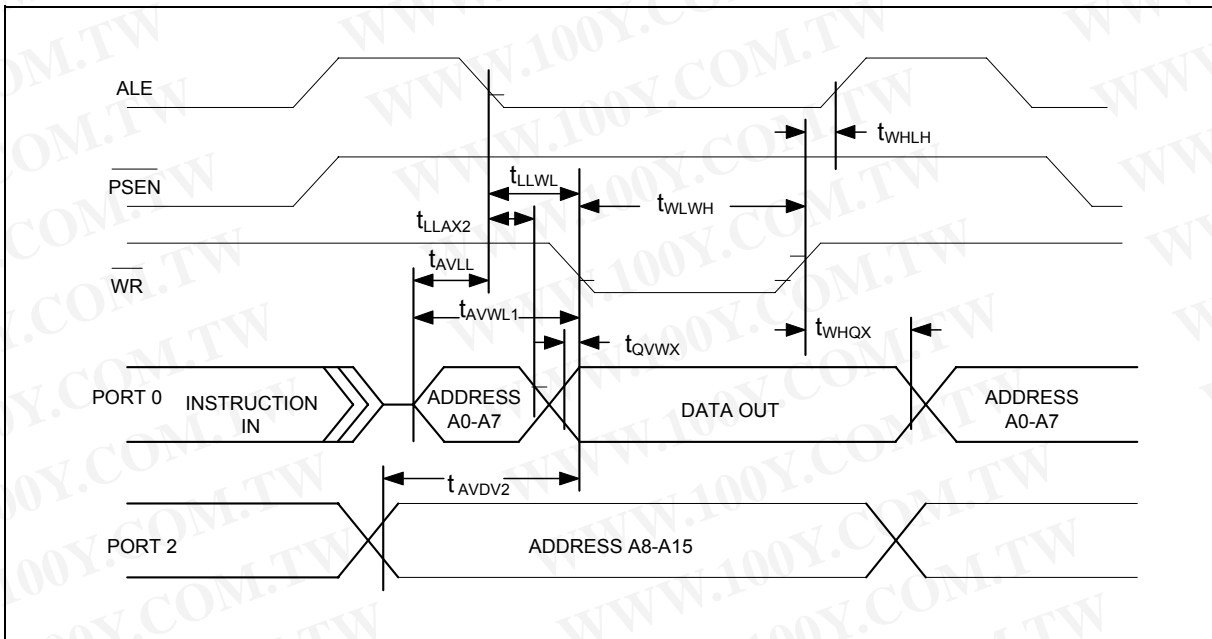
Preliminary W79E225A/227A Data Sheet



24.7 Data Memory Read Cycle



24.8 Data Memory Write Cycle



勝特力材料 886-3-5753170
 勝特力电子(上海) 86-21-34970699
 勝特力电子(深圳) 86-755-83298787
[Http://www.100y.com.tw](http://www.100y.com.tw)

Publication Release Date: December 14, 2007

Preliminary W79E225A/227A Data Sheet



25. TYPICAL APPLICATION CIRCUITS

25.1 Expanded External Program Memory and Crystal

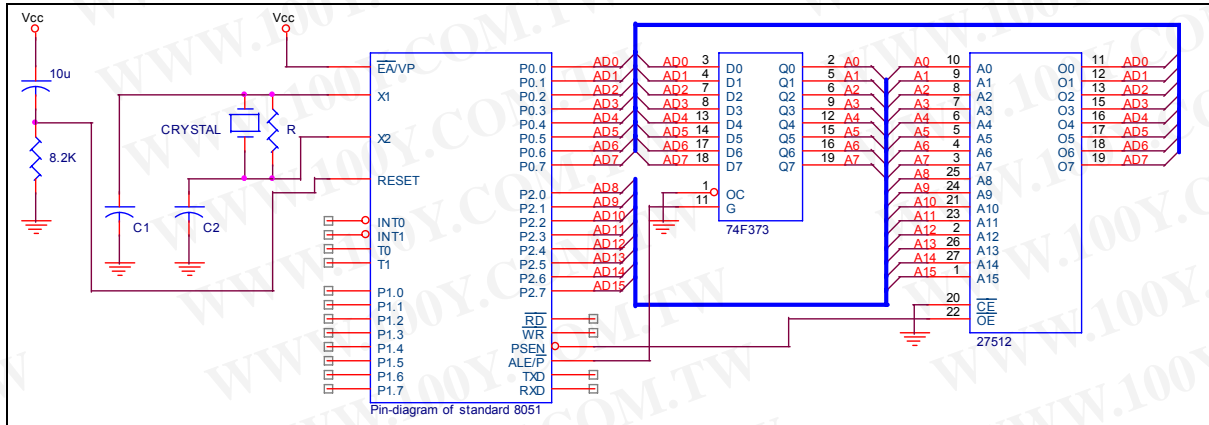


Figure 25-1: Typical External Program Memory and Crystal connections

CRYSTAL	C1	C2	R
16 MHz	0P~20P	0P~20P	-
24 MHz	0P~12P	0P~12P	-
33 MHz	10P	10P	10K~5.1K
40 MHz	1P	1P	10K~5.1K

The above table shows the reference values for crystal applications.

Note: C1, C2, R components refer to Figure above.

25.2 Expanded External Data Memory and Oscillator

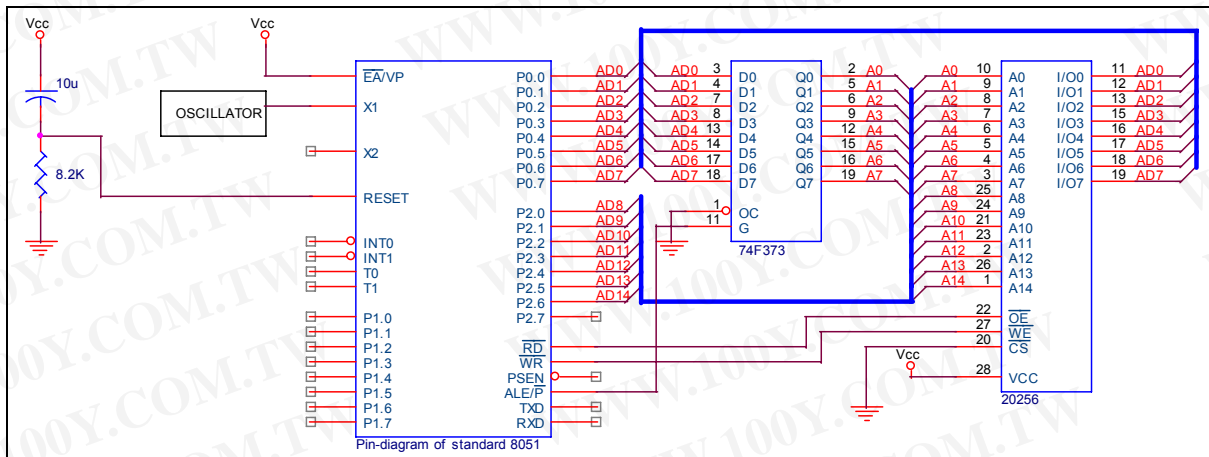


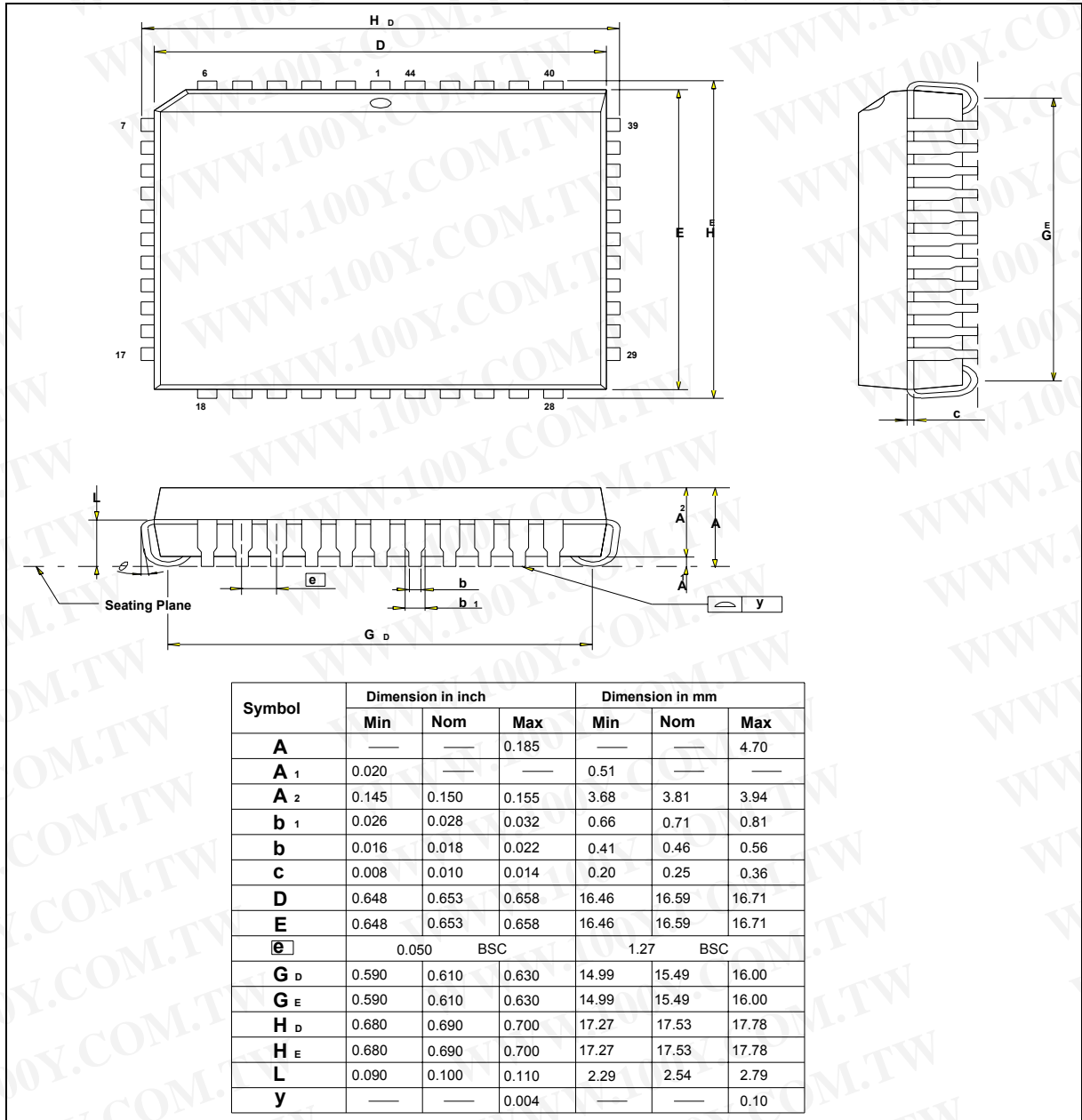
Figure 25-2: Typical External Data Memory and Oscillator connections

Preliminary W79E225A/227A Data Sheet



26. PACKAGE DIMENSION

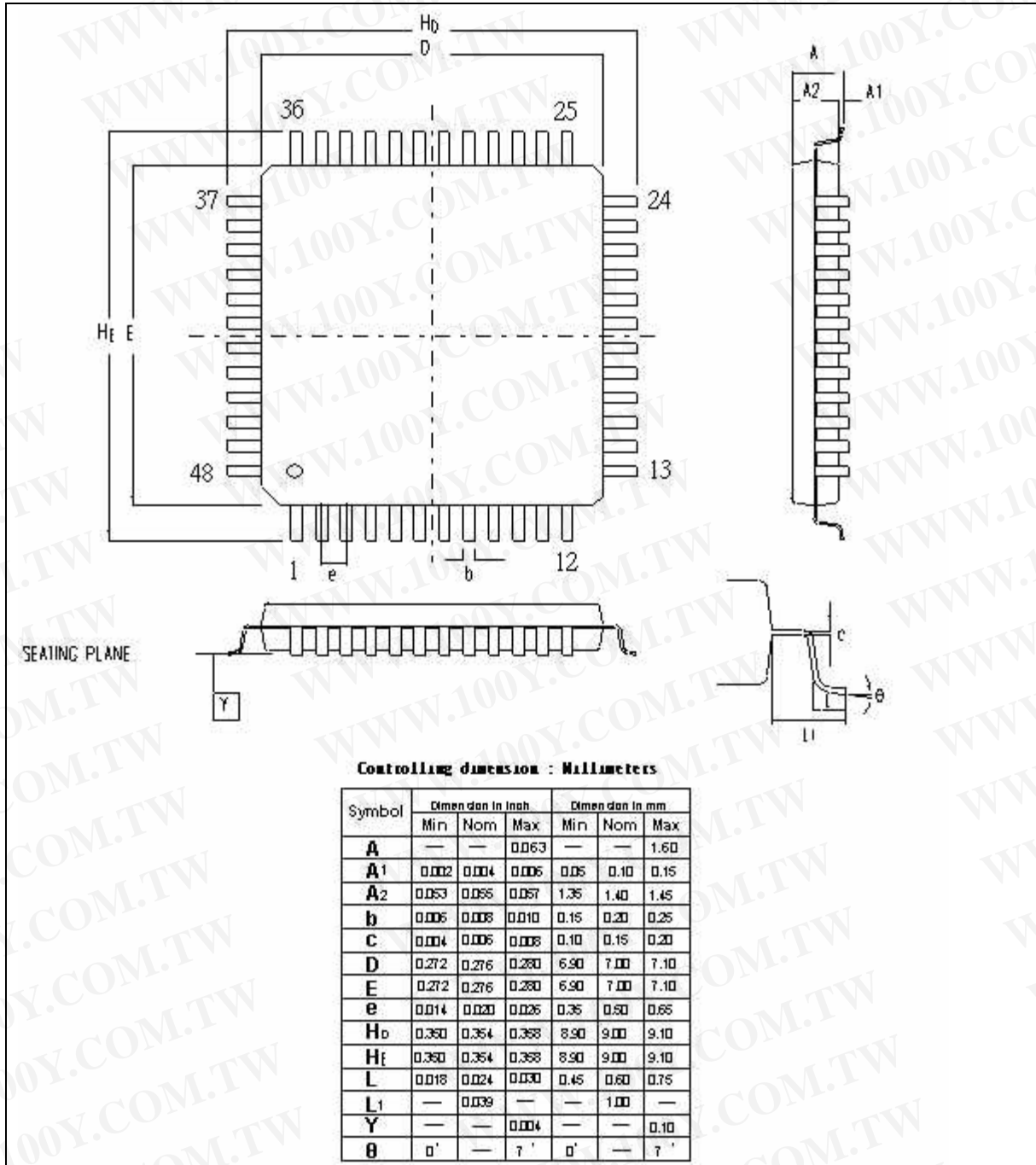
26.1 44L PLCC



Preliminary W79E225A/227A Data Sheet



26.2 48L LQFP (7x7x1.4mm footprint 2.0mm)



Preliminary W79E225A/227A Data Sheet



27. APPLICATION NOTE

In-system Programming Software Examples

This application note illustrates the in-system programmability of the Winbond W79E225/227 Flash EPROM microcontroller. In this example, microcontroller will boot from APFlash bank and waiting for a key to enter in-system programming mode for re-programming the contents of 64 KB APFlash. While entering in-system programming mode, microcontroller executes the loader program in 4KB LDFlash bank. The loader program erases the 64 KB APFlash then reads the new code data from external SRAM buffer (or through other interfaces) to update the APFlash.

If the customer uses the reboot mode to update his program, please enable this b3 or b4 of security bits from the writer. Please refer security bits for detail description.

EXAMPLE 1:

```
*****
;* Example of APFlash program: Program will scan the P1.0. If P1.0 = 0, enters in-system
;* programming mode for updating the content of APFlash code else executes the current ROM code.
;* XTAL = 24 MHz
*****
.chip 8052
.RAMCHK OFF
.symbols

CHPCON      EQU          9FH
TA          EQU          C7H
SFRAL       EQU          ACH
SFRAH       EQU          ADH
SFRFD       EQU          AEH
SFRCN       EQU          AFH

ORG 00H
LJMP 100H          ; JUMP TO MAIN PROGRAM
*****
;* TIMER0 SERVICE VECTOR ORG = 00BH
*****
ORG 00BH
CLR TR0          ; TR0 = 0, STOP TIMER0
MOV TL0,R6
MOV TH0,R7
RETI
*****
;* APFlash MAIN PROGRAM
*****
ORG 100H
```

Preliminary W79E225A/227A Data Sheet



MAIN_APFlash:

```
MOV A, P1 ; SCAN P1.0
ANL A, #01H
CJNE A, #01H, PROGRAM_APFlash ; IF P1.0 = 0, ENTER IN-SYSTEM PROGRAMMING MODE
JMP NORMAL_MODE
```

PROGRAM_64:

```
MOV TA, #AAH ; CHPCON register is written protect by TA register.
MOV TA, #55H
MOV CHPCON, #03H ; CHPCON = 03H, ENTER IN-SYSTEM PROGRAMMING
MODE
MOV SFRCN, #0H
MOV TCON, #00H ; TR = 0 TIMER0 STOP
MOV IP, #00H ; IP = 00H
MOV IE, #82H ; TIMER0 INTERRUPT ENABLE FOR WAKE-UP FROM
```

IDLE MODE

```
MOV R6, #F0H ; TL0 = F0H
MOV R7, #FFH ; TH0 = FFH
MOV TL0, R6
MOV TH0, R7
MOV TMOD, #01H ; TMOD = 01H, SET TIMER0 A 16-BIT TIMER
MOV TCON, #10H ; TCON = 10H, TR0 = 1, GO
MOV PCON, #01H ; ENTER IDLE MODE FOR LAUNCHING THE IN-SYSTEM
```

PROGRAMMING

.*****

;* Normal mode APFlashB APFlash program: depending user's application

.*****

NORMAL_MODE:

. ; User's application program

EXAMPLE 2:

.*****
;* Example of 4KB LDFlash program: This loader program will erase the APFlashB APFlash first, then reads the new ;* code from external SRAM and program them into APFlashB APFlash bank. XTAL = 24 MHz

.*****

.chip 8052

.RAMCHK OFF

.symbols

Preliminary W79E225A/227A Data Sheet



CHPCON	EQU	9FH
TA	EQU	C7H
SFRAL	EQU	ACH
SFRAH	EQU	ADH
SFRFD	EQU	AEH
SFRCN	EQU	AFH

```
ORG 000H
LJMP 100H ; JUMP TO MAIN PROGRAM
```

```
*****
;* 1. TIMER0 SERVICE VECTOR ORG = 0BH
*****
```

```
ORG 000B
```

```
CLR TR0 ; TR0 = 0, STOP TIMER0
MOV TL0, R6
MOV TH0, R7
RETI
```

```
*****
;* 4KB LDFlash MAIN PROGRAM
*****
```

```
ORG 100H
```

```
MAIN_4K:
```

```
MOV TA, #AAH
MOV TA, #55H
MOV CHPCON, #03H ; CHPCON = 03H, ENABLE IN-SYSTEM PROGRAMMING.
```

```
MOV SFRCN, #0H
MOV TCON, #00H ; TCON = 00H, TR = 0 TIMER0 STOP
MOV TMOD, #01H ; TMOD = 01H, SET TIMER0 A 16BIT TIMER
MOV IP, #00H ; IP = 00H
MOV IE, #82H ; IE = 82H, TIMER0 INTERRUPT ENABLED
MOV R6, #F0H
MOV R7, #FFH
MOV TL0, R6
MOV TH0, R7
MOV TCON, #10H ; TCON = 10H, TR0 = 1, GO
MOV PCON, #01H ; ENTER IDLE MODE
```

```
UPDATE_APFlash:
MOV TCON, #00H ; TCON = 00H, TR = 0 TIM0 STOP
```

Preliminary W79E225A/227A Data Sheet



```
MOV IP, #00H ; IP = 00H
MOV IE, #82H ; IE = 82H, TIMER0 INTERRUPT ENABLED
MOV TMOD, #01H ; TMOD = 01H, MODE1
MOV R6, #D0H ; SET WAKE-UP TIME FOR ERASE OPERATION, ABOUT
15 ms DEPENDING ON USER'S SYSTEM CLOCK RATE.
MOV R7, #8AH
MOV TL0, R6
MOV TH0, R7
```

ERASE_P_4K:

```
MOV SFR CN, #22H ; SFR CN = 22H, ERASE APFlash APFlash0
; SFR CN = A2H, ERASE APFlash1
MOV TCON, #10H ; TCON = 10H, TR0 = 1, GO
MOV PCON, #01H ; ENTER IDLE MODE (FOR ERASE OPERATION)
```

```
*****
;
;* BLANK CHECK
*****
```

```
MOV SFR CN, #0H ; SFR CN = 00H, READ APFlashB APFlash0
; SFR CN = 80H, READ APFlashB APFlash1
MOV SFRAH, #0H ; START ADDRESS = 0H
MOV SFRAL, #0H
MOV R6, #FDH ; SET TIMER FOR READ OPERATION, ABOUT 1.5 μS.
MOV R7, #FFH
MOV TL0, R6
MOV TH0, R7
```

blank_check_loop:

```
SETB TR0 ; Enable TIMER 0
MOV PCON, #01H ; Enter idle mode
MOV A, SFRFD ; Read one byte
CJNE A, #FFH, blank_check_error
INC SFRAL ; Next address
MOV A, SFRAL
JNZ blank_check_loop
INC SFRAH
MOV A, SFRAH
CJNE A, #0H, blank_check_loop ; End address = FFFFH
JMP PROGRAM_APFlashROM
```

blank_check_error:

```
JMP $
```

Preliminary W79E225A/227A Data Sheet



```
*****
;
;* RE-PROGRAMMING APFlashB APFlash BANK
*****
PROGRAM_APFlashROM:
MOV R2, #00H           ; Target low byte address
MOV R1, #00H           ; TARGET HIGH BYTE ADDRESS
MOV DPTR, #0H
MOV SFRAH, R1          ; SFRAH, Target high address
MOV SFRCN, #21H        ; SFRCN = 21H, PROGRAM APFlash0
                       ; SFRCN = A1H, PROGRAM APFlash1
MOV R6, #9CH           ; SET TIMER FOR PROGRAMMING, ABOUT 50 µS.
MOV R7, #FFH
MOV TL0, R6
MOV TH0, R7

PROG_D_APFlash:
MOV SFRAL, R2          ; SFRAL = LOW BYTE ADDRESS
CALL GET_BYTE_FROM_PC_TO_ACC ; THIS PROGRAM IS BASED ON USER'S
CIRCUIT.
MOV @DPTR, A           ; SAVE DATA INTO SRAM TO VERIFY CODE.
MOV SFRFD, A           ; SFRFD = data IN
MOV TCON, #10H         ; TCON = 10H, TR0 = 1,GO
MOV PCON, #01H        ; ENTER IDLE MODE (PROGAMMING)
INC DPTR
INC R2
CJNE R2, #0H, PROG_D_APFlash
INC R1
MOV SFRAH, R1
CJNE R1, #0H, PROG_D_APFlash

*****
;
;* VERIFY APFlashB APFlash BANK
*****
MOV R4, #03H           ; ERROR COUNTER
MOV R6, #FDH           ; SET TIMER FOR READ VERIFY, ABOUT 1.5 µS.
MOV R7, #FFH
MOV TL0, R6
MOV TH0, R7
MOV DPTR, #0H         ; The start address of sample code
MOV R2, #0H           ; Target low byte address
MOV R1, #0H           ; Target high byte address
```

Preliminary W79E225A/227A Data Sheet



```
MOV SFRAH, R1 ; SFRAH, Target high address
MOV SFRCN, #00H ; SFRCN = 00H, Read APFlash0
; SFRCN = 80H, Read APFlash1
```

READ_VERIFY_APFlash:

```
MOV SFRAL, R2 ; SFRAL = LOW ADDRESS
MOV TCON, #10H ; TCON = 10H, TR0 = 1, GO
MOV PCON, #01H
INC R2
MOVX A, @DPTR
INC DPTR
CJNE A, SFRFD, ERROR_APFlash
CJNE R2, #0H, READ_VERIFY_APFlash
INC R1
MOV SFRAH, R1
CJNE R1, #0H, READ_VERIFY_APFlash
```

```
*****
;
; * PROGRAMMING COMPLETELY, SOFTWARE RESET CPU
;
*****
```

```
MOV TA, #AAH
MOV TA, #55H
MOV CHPCON, #83H ; SOFTWARE RESET. CPU will restart from APFlash0
```

ERROR_APFlash:

```
DJNZ R4, UPDATE_APFlash ; IF ERROR OCCURS, REPEAT 3 TIMES.
; IN-SYST PROGRAMMING FAIL, USER'S PROCESS TO
DEAL WITH IT.
```

.
.
.

Preliminary W79E225A/227A Data Sheet



28. REVISION HISTORY

REVISION	DATE	PAGE	DESCRIPTION
A1.0	October 18, 2007	-	Preliminary version initially issued
A1.1	November 17, 2007	8,9	Incorrect pin number format. Re-alignment.
		182	Operating voltage for NVM program/erase min at 3.0V.
		7	Added note for minimum NVM program/erase operating voltage.
		111	Updated Figure 14-8. Changed label "B" to "C".
A2.0	December 11, 2007	8, 137, 138	Removed INDX descriptions.
		99, 100	Updated diagram for T2EX at P4.1 pin.
		111	Updated diagram. Posc replaced with Fosc.
		182	Revise the Operating temperature to (-40, +85) °C
		35	Revise the content of UART mode select table. (SM0, SM1) is exchanged.

Important Notice

Winbond products are not designed, intended, authorized or warranted for use as components in systems or equipment intended for surgical implantation, atomic energy control instruments, airplane or spaceship instruments, transportation instruments, traffic signal instruments, combustion control instruments, or for other applications intended to support or sustain life. Further more, Winbond products are not intended for applications wherein failure of Winbond products could result or lead to a situation wherein personal injury, death or severe property or environmental damage could occur.

Winbond customers using or selling these products for use in such applications do so at their own risk and agree to fully indemnify Winbond for any damages resulting from such improper use or sales.

Please note that all data and specifications are subject to change without notice.
All the trademarks of products and companies mentioned in this datasheet belong to their respective owners.

勝特力材料 886-3-5753170
勝特力电子(上海) 86-21-34970699
勝特力电子(深圳) 86-755-83298787
[Http://www.100y.com.tw](http://www.100y.com.tw)