

2.54MM EJECTOR HEADER IDC TYPE

MATERIAL

Insulator : 30% Glass fiber PBT

Contact Pin : Copper alloy

SPECIFICATION

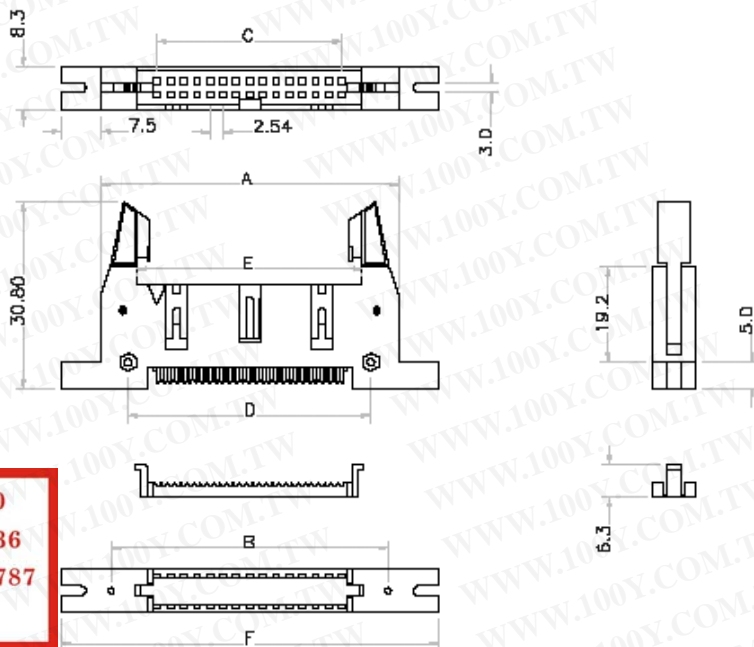
Current Rate : 1 AMP

Insulation Resistance : 100GΩ Min at 500V DC

Contact Resistance : 10mΩ Max.

Dielectric voltage : 500V AC for one minute

Operation Temperature : -40°C to +105°C



- No. of contacts(10,14,16,20, 24,26,30,34,40,50,60,64)
- S: Selective
- G: Gray
- 1: With Mounting ear
2: Without Mounting ear
- 1: Long ejector
2: Short ejector

勝特力材料 886-3-5753170

勝特力电子(上海) 86-21-54151736

勝特力电子(深圳) 86-755-83298787

[Http://www.100y.com.tw](http://www.100y.com.tw)

Dim. \ No.	10	14	16	20	24	26	30	34	40	50	60	64
A	31.96	37.10	39.62	44.74	49.82	52.22	57.46	62.52	70.18	82.70	45.68	100.70
B	25.40	30.48	33.02	38.10	43.18	48.26	53.26	58.42	66.04	78.74	91.44	96.52
C	10.16	15.24	17.78	22.86	27.94	30.48	35.56	40.64	48.26	60.96	73.66	78.74
D	21.84	26.92	29.46	34.54	39.62	42.16	46.74	52.32	59.94	72.64	85.34	90.42
E	17.96	23.04	25.58	30.66	35.74	38.28	43.58	48.44	56.60	68.76	81.45	86.54
F	47.08	52.18	54.84	59.90	64.98	67.24	72.64	77.48	85.36	97.90	110.66	115.62