



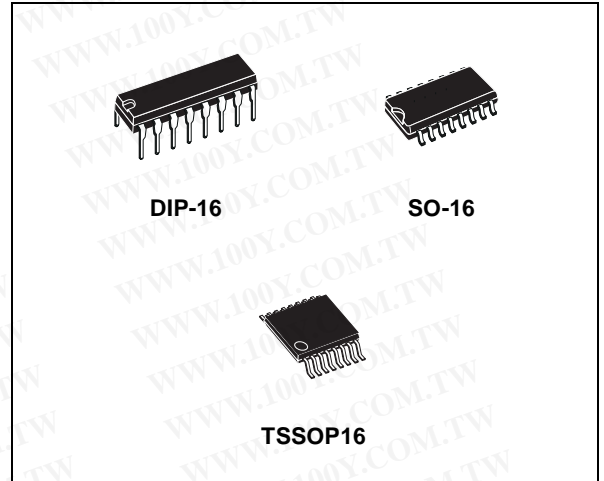
## 8-BIT CONSTANT CURRENT LED SINK DRIVER

- 8 CONSTANT CURRENT OUTPUT CHANNELS
- ADJUSTABLE OUTPUT CURRENT THROUGH EXTERNAL RESISTOR
- SERIAL DATA IN/PARALLEL DATA OUT
- SERIAL OUT CHANGE STATE ON THE FALLING EDGES OF CLOCK
- OUTPUT CURRENT: 15-120 mA
- 25 MHz CLOCK FREQ.
- AVAILABLE IN HIGH THERMAL TSSOP EXPOSED PAD
- EFFICIENCY PACKAGE

### DESCRIPTION

The STP08C596 is a monolithic, medium-voltage, low current power 8-bit shift register designed for LED panel display. The STP08C596 contains a 8-bit serial-in, parallel-out shift register that feeds a 8-bit D-type storage register. In the output stage, sixteen regulated current sources were designed to provide 15-120mA constant current to drive the LEDs.

Compared with the STPIC6C595, the device provides great flexibility and improved performance in LED panel system design.



Trough an external resistor, users may adjust the STP08C596 output current, controlling in this way the light intensity of LEDs.

The STP08C596 guarantees 16V output driving capability, allowing users to connect more LEDs in series. The high clock frequency, 25 MHz, also satisfies the system requirement of high volume data transmission.

**Table 1: Order Codes**

Part Number	Temp. Range	Package	Comments
STP08C596B1	-40°C to 125°C	DIP-16	25 part per tube
STP08C596M	-40°C to 125°C	SO-16 (Tube)	50 parts per tube
STP08C596MTR	-40°C to 125°C	SO-16 (Tape & Reel)	1000 parts per reel
STP08C596TTR	-40°C to 125°C	TSSOP16 (Tape & Reel)	2500 parts per reel

Table 2: Current Accuracy

Output Voltage	Current accuracy		Output Current
	Between bits	Between ICs	
$\geq 0.7V$	TYP. $\pm 3\%$	$\pm 10\%$	15 to 120 mA

Figure 1: Pin Connection

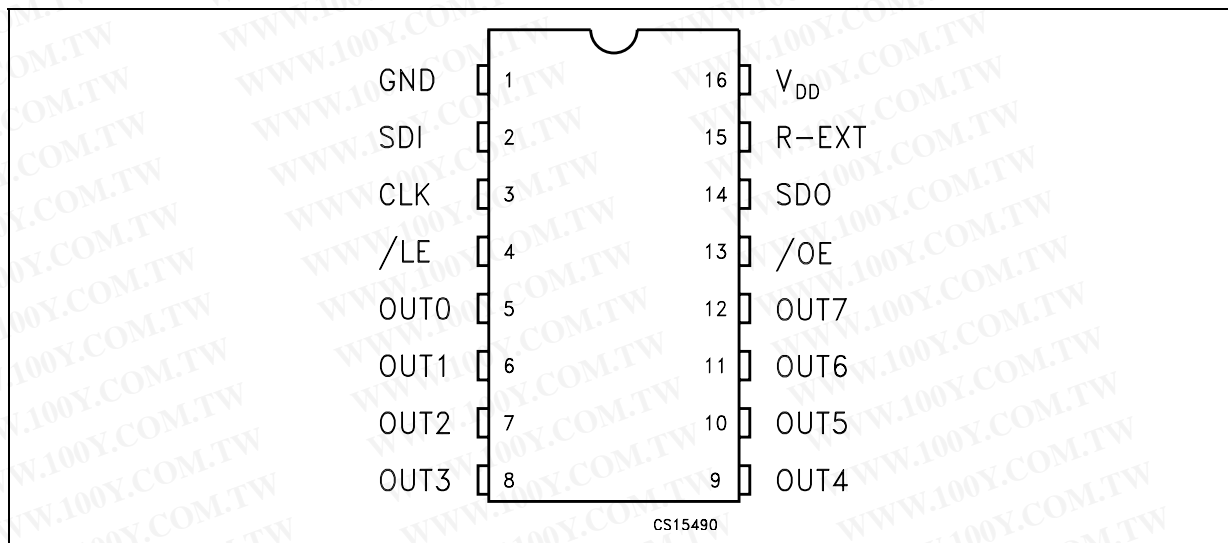


Table 3: Pin Description

PIN N°	Symbol	Name and Function
1	GND	Ground Terminal
2	SDI	Serial data input terminal
3	CLK	Clock input terminal
4	/LE	Latch input terminal
5-12	OUT 0-7	Output terminal
13	/OE	Output enable input terminal (active low)
14	SDO	Serial data out terminal
15	R-EXT	Constant Current programming
16	V <sub>DD</sub>	5V Supply voltage terminal

Table 4: Absolute Maximum Ratings

Symbol	Parameter	Value	Unit
V <sub>DD</sub>	Supply Voltage	0 to 7	V
V <sub>O</sub>	Output Voltage	-0.5 to 16	V
I <sub>O</sub>	Output Current	120	mA
V <sub>I</sub>	Input Voltage	-0.4 to V <sub>DD</sub> +0.4	V
I <sub>GND</sub>	GND Terminal Current	980	mA
f <sub>CLK</sub>	Clock Frequency	25	MHz
T <sub>OPR</sub>	Operating Temperature Range	-40 to +125	°C
T <sub>STG</sub>	Storage Temperature Range	-55 to +150	°C

Absolute Maximum Ratings are those values beyond which damage to the device may occur. Functional operation under these condition is not implied.

Table 5: Thermal Data

Symbol	Parameter	DIP-16	SO-16	TSSOP16	Unit
$R_{thj-amb}$	Thermal Resistance Junction-ambient	90	125	140	°C/W

Table 6: Recommended Operating Conditions

Symbol	Parameter	Test Conditions	Min.	Typ.	Max.	Unit
$V_{DD}$	Supply Voltage		4.5	5.0	5.5	V
$V_O$	Output Voltage				16.0	V
$I_O$	Output Current	OUTn	15		120	mA
$I_{OH}$	Output Current	SERIAL-OUT			+1	mA
$I_{OL}$	Output Current	SERIAL-OUT			-1	mA
$V_{IH}$	Input Voltage		$0.7V_{DD}$		$V_{DD}+0.3$	V
$V_{IL}$	Input Voltage		-0.3		$0.3V_{DD}$	V
$t_{wLAT}$	/LE Pulse Width	$V_{DD} = 3.0$ to $3.6V$	20			ns
$t_{wCLK}$	CLK Pulse Width		20			ns
$t_{wEN}$	/OE Pulse Width		400			ns
$t_{SETUP(D)}$	Setup Time for DATA		20			ns
$t_{HOLD(D)}$	Hold Time for DATA		15			ns
$t_{SETUP(L)}$	Setup Time for LATCH		15			ns
$f_{CLK}$	Clock Frequency		Cascade Operation			25

Table 7: Electrical Characteristics ( $V_{DD}=5V$ ,  $T = 25^{\circ}C$ , unless otherwise specified.)

Symbol	Parameter	Test Conditions	Min.	Typ.	Max.	Unit
$V_{IH}$	Input Voltage High Level		$0.7V_{DD}$		$V_{DD}$	V
$V_{IL}$	Input Voltage Low Level		GND		$0.3V_{DD}$	V
$I_{OH}$	Output Leakage Current	$V_{OH} = 16V$			10	$\mu A$
$V_{OL}$	Output Voltage (Serial-OUT)	$I_{OL} = 1mA$			0.4	V
$V_{OH}$	Output Voltage (Serial-OUT)	$I_{OH} = -1mA$	$V_{DD}-0.4V$			V
$I_{OL1}$	Output Current	$V_O = 0.7V$ $R_{EXT} = 910\ \Omega$	20.6	20.7	20.9	mA
$I_{OL2}$		$V_O = 0.7V$ $R_{EXT} = 360\ \Omega$	50.6	51.0	51.5	mA
$\Delta I_{OL1}$	Output Current Error between bit (All Output ON)	$V_O = 0.7V$ $R_{EXT} = 910\ \Omega$			$\pm 3$	%
$\Delta I_{OL2}$		$V_O = 0.7V$ $R_{EXT} = 360\ \Omega$			$\pm 3$	%
$R_{SIN(up)}$	Pull-up Resistor		150	300	600	K $\Omega$
$R_{SIN(down)}$	Pull-down Resistor		100	200	400	K $\Omega$
$I_{DD(OFF1)}$	Supply Current (OFF)	$R_{EXT} = OPEN$ OUT 0 to 7 = OFF		0.3	0.6	mA
$I_{DD(OFF2)}$		$R_{EXT} = 470\ \Omega$ OUT 0 to 7 = OFF		5.5	7.7	
$I_{DD(OFF3)}$		$R_{EXT} = 250\ \Omega$ OUT 0 to 7 = OFF		10.1	14.1	
$I_{DD(ON1)}$	Supply Current (ON)	$R_{EXT} = 470\ \Omega$ OUT 0 to 7 = ON		5.5	7.7	
$I_{DD(ON2)}$		$R_{EXT} = 250\ \Omega$ OUT 0 to 7 = ON		10.1	14.1	

Table 8: Switching Characteristics ( $V_{DD}=5V$ ,  $T = 25^{\circ}C$ , unless otherwise specified.)

Symbol	Parameter	Test Conditions	Min.	Typ.	Max.	Unit
$t_{PLH1}$	Propagation Delay Time, CLK-OUTn, /LE = H, /OE = L	$V_{DD} = 5 V$ $V_{IH} = V_{DD}$		200	280	ns
$t_{PLH2}$	Propagation Delay Time, /LE-OUTn, /OE = L	$V_{IL} = GND$ $I_O = 40mA$		160	250	ns
$t_{PLH3}$	Propagation Delay Time, /OE-OUTn, /LE = H	$R_{EXT} = 470 \Omega$ $R_L = 65 \Omega$		145	200	ns
$t_{PLH}$	Propagation Delay Time, CLK-SDO			15	30	ns
$t_{PHL1}$	Propagation Delay Time, CLK-OUTn, /LE = H, /OE = L			15	30	ns
$t_{PHL2}$	Propagation Delay Time, /LE-OUTn, /OE = L			15	30	ns
$t_{PHL3}$	Propagation Delay Time, /OE-OUTn, /LE = H			45	60	ns
$t_{PHL}$	Propagation Delay Time, CLK-SDO			15	300	ns
$t_r$	Output Rise Time			160	200	ns
$t_f$	Output Fall Time			15	25	ns

EQUIVALENT CIRCUIT OF INPUTS AND OUTPUTS

Figure 2:  $\overline{OE}$  Terminal

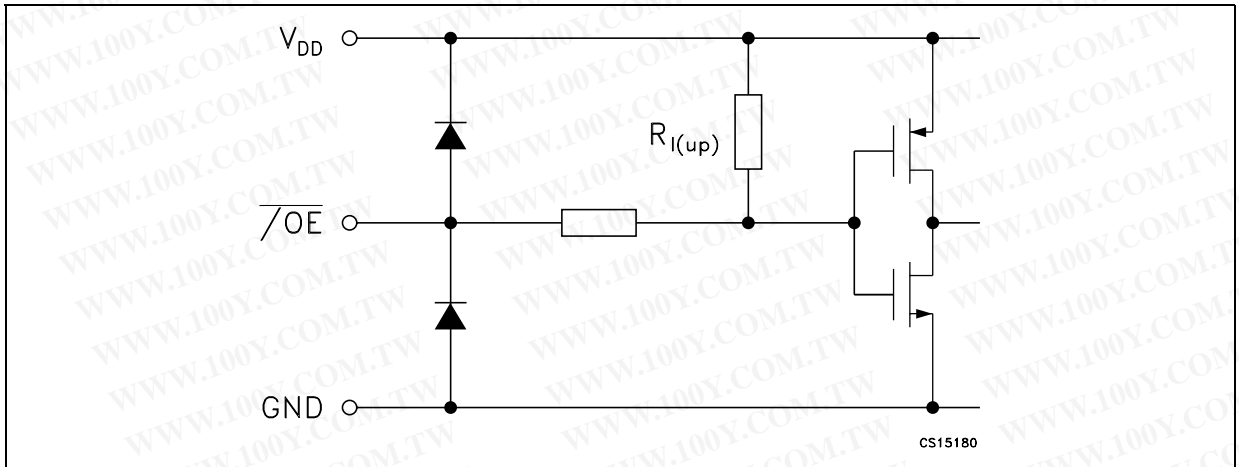


Figure 3: /LE Terminal

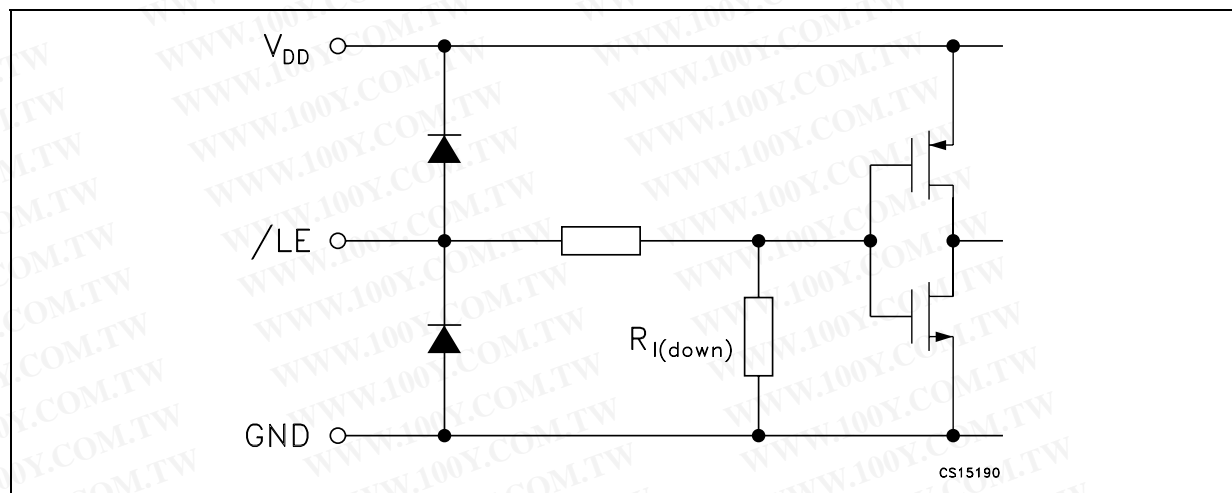


Figure 4: CLK, SDI Terminal

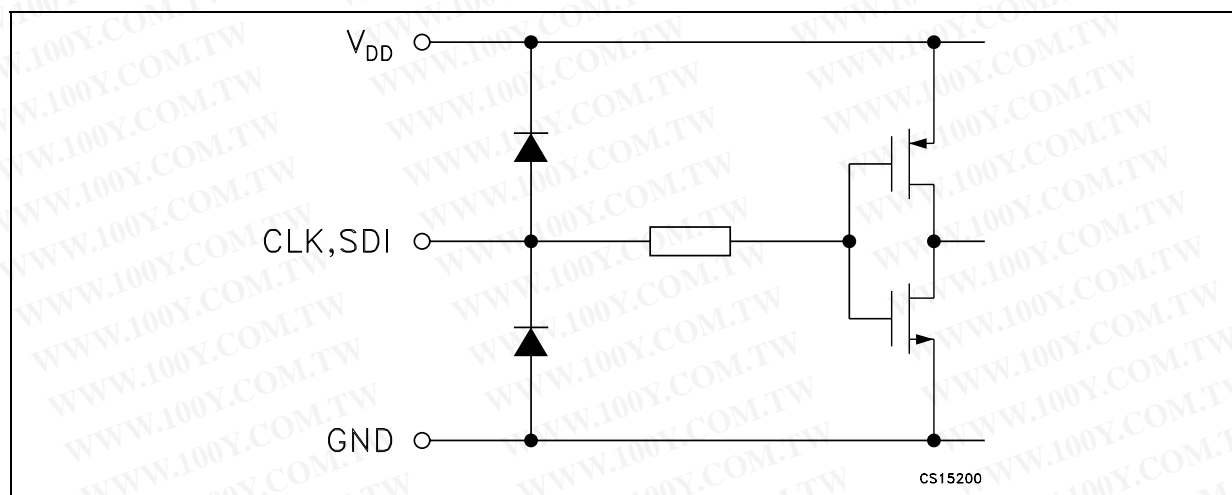


Figure 5: SDO Terminal

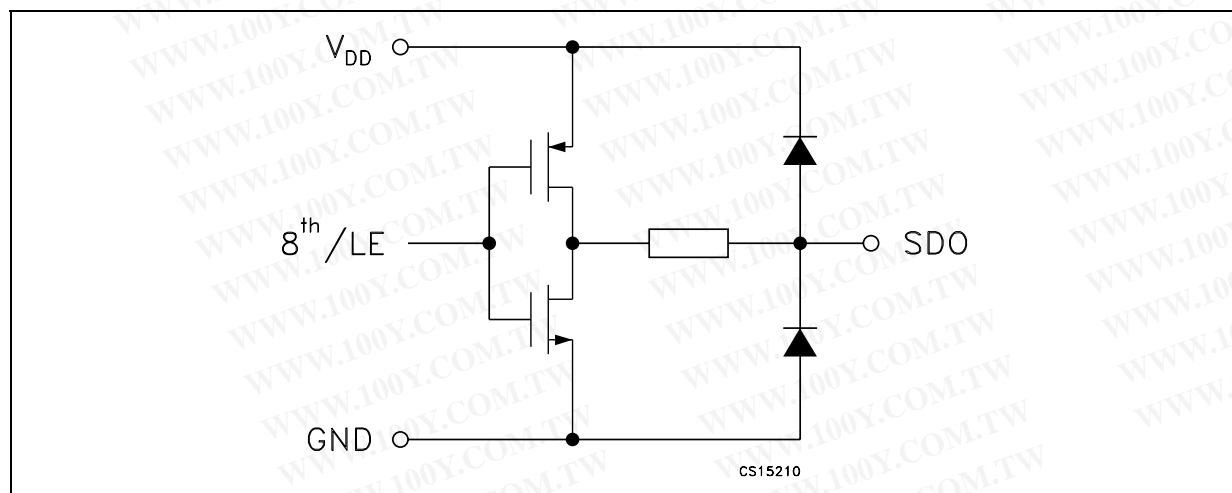


Figure 6: Block Diagram

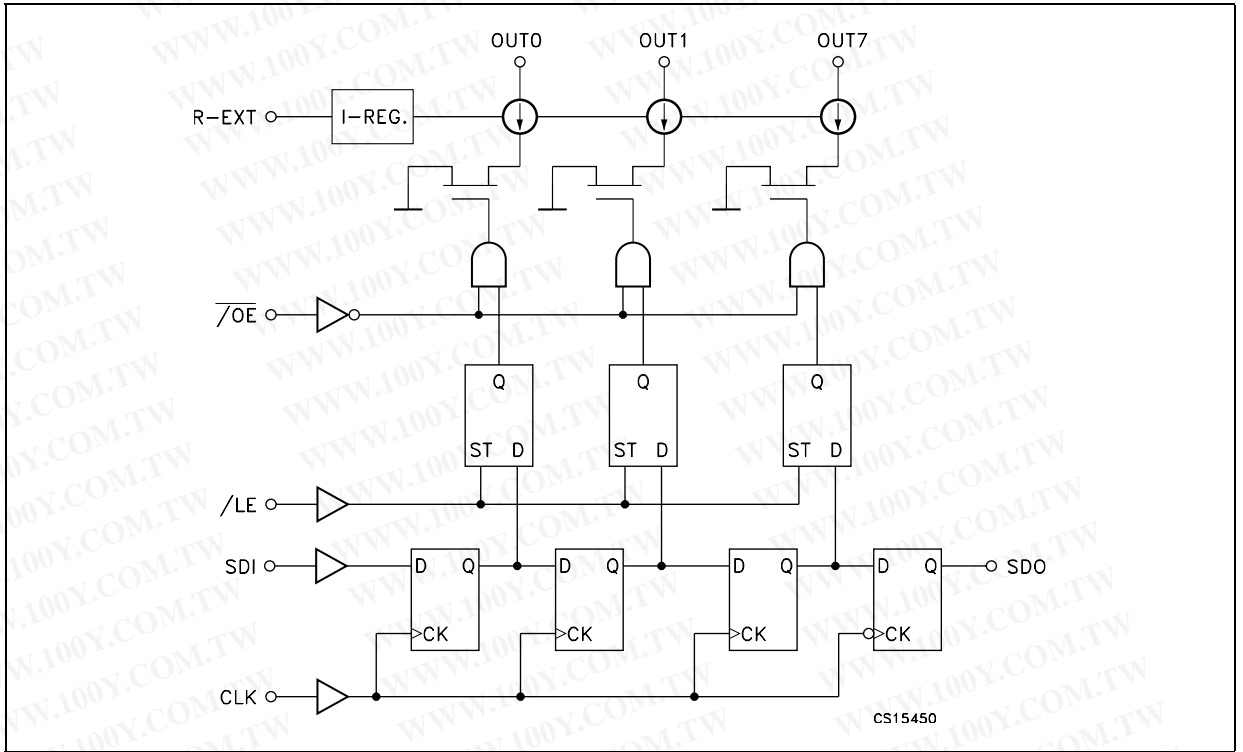


Figure 7: Timing Diagram

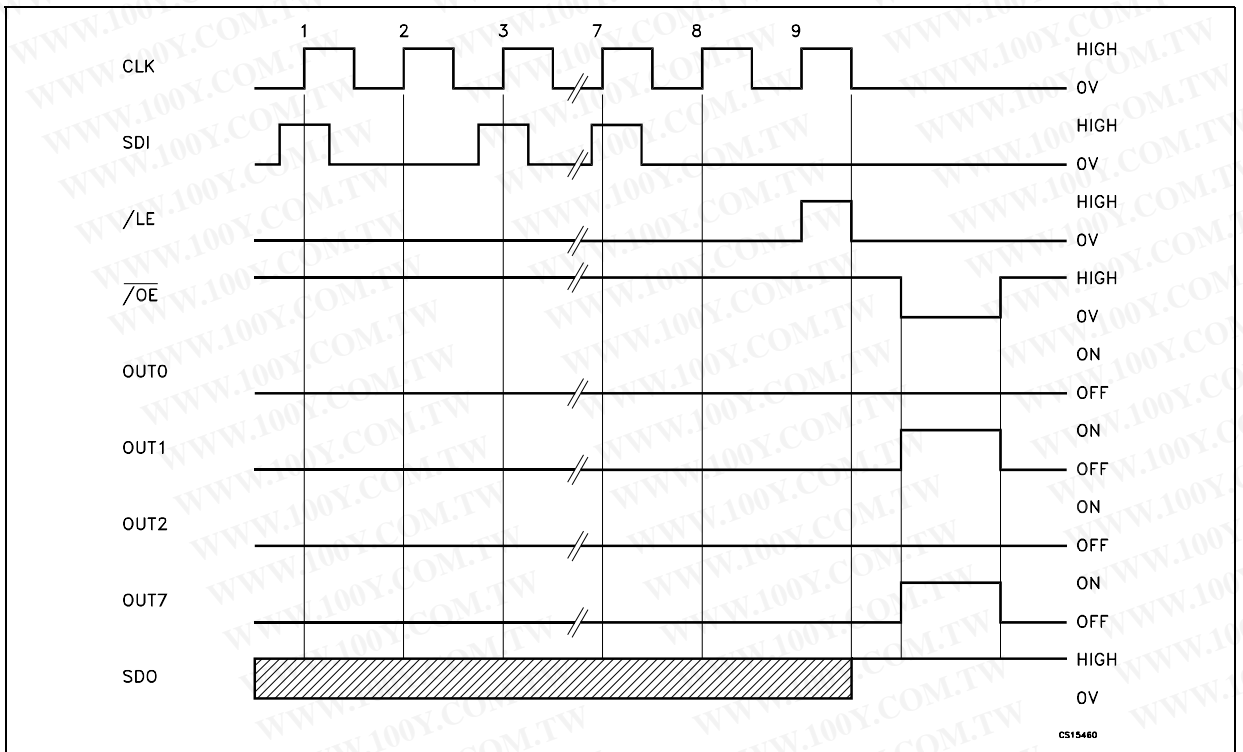


Figure 8: Clock, Serial-In, Serial-Out

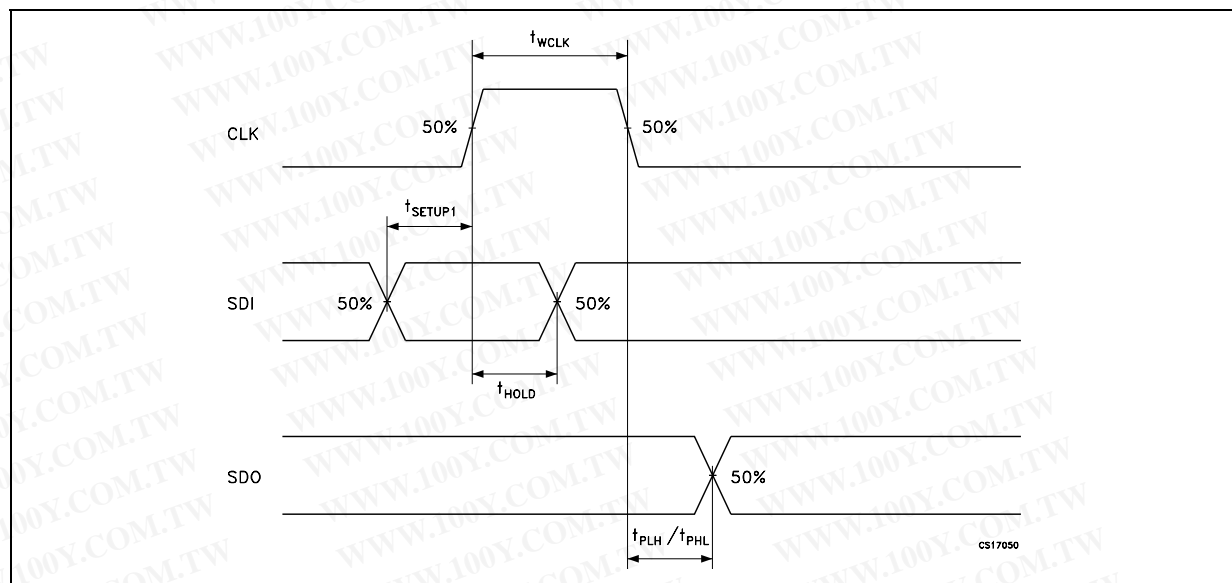


Figure 9: Clock, Serial-In, Latch, Enable, Outputs

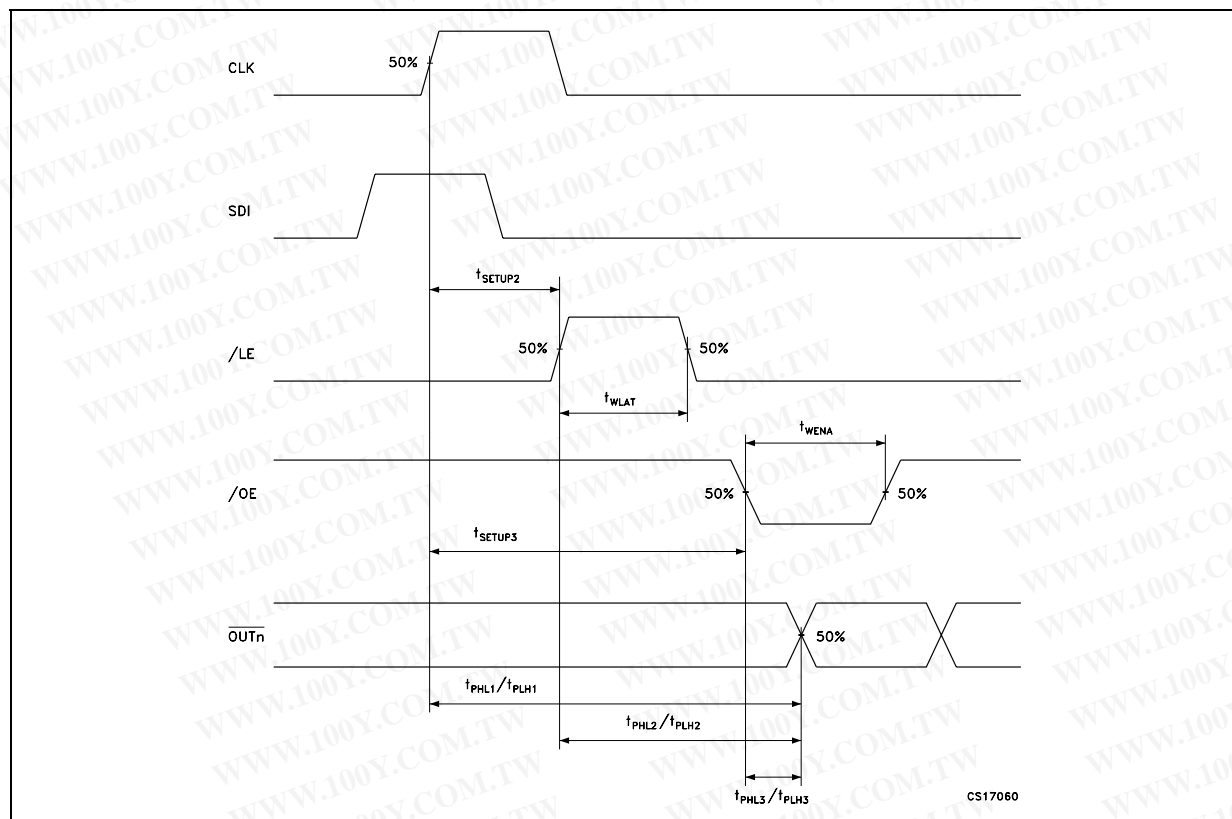
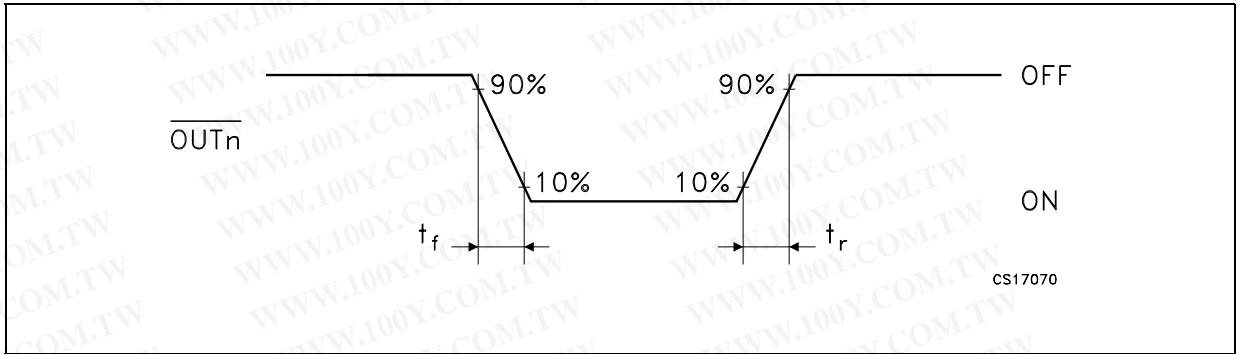


Figure 10: Outputs



TEST CIRCUIT

Figure 11: DC Characteristic

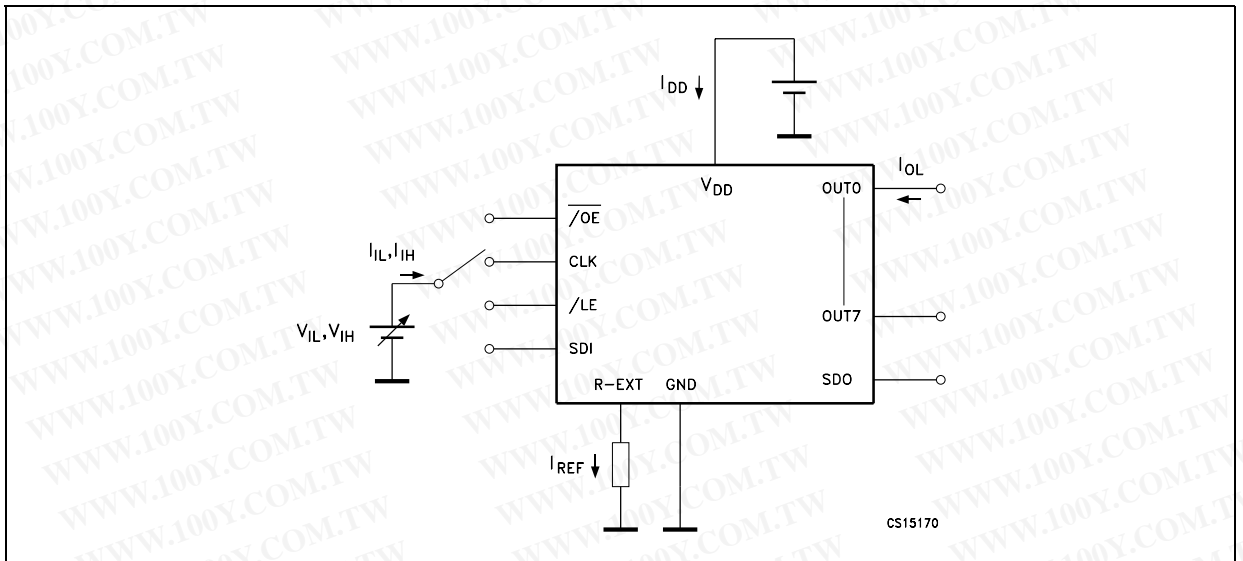




Figure 12: AC Characteristic

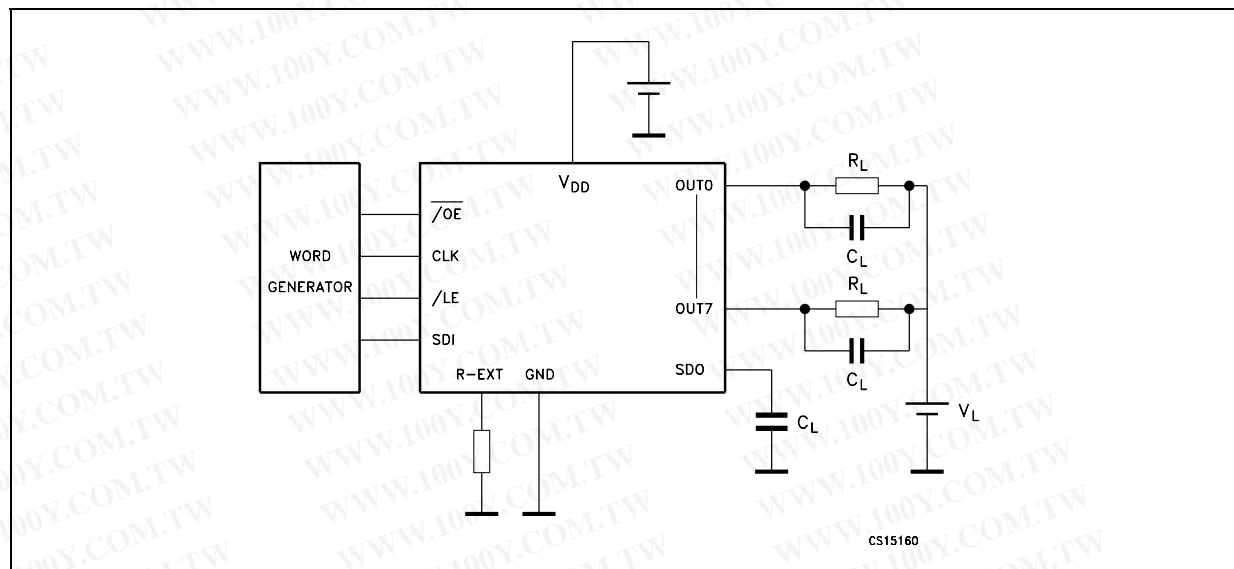
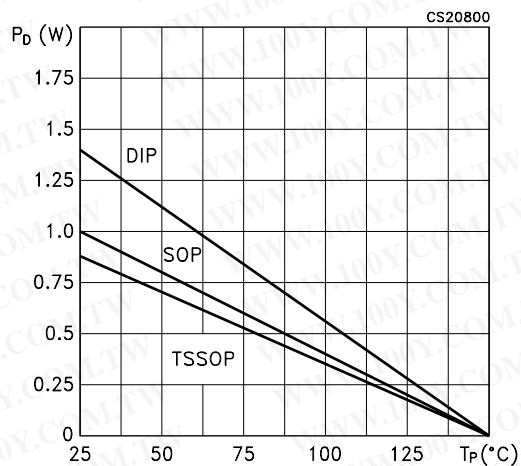
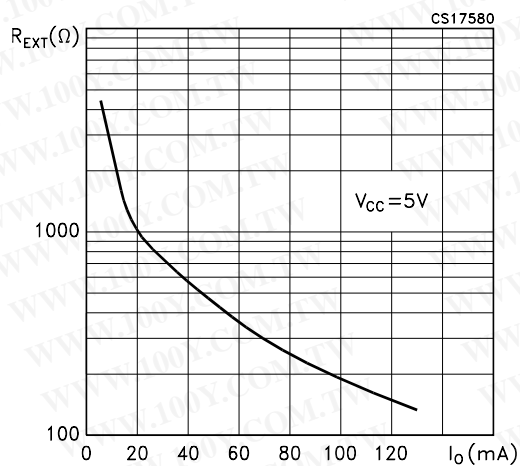


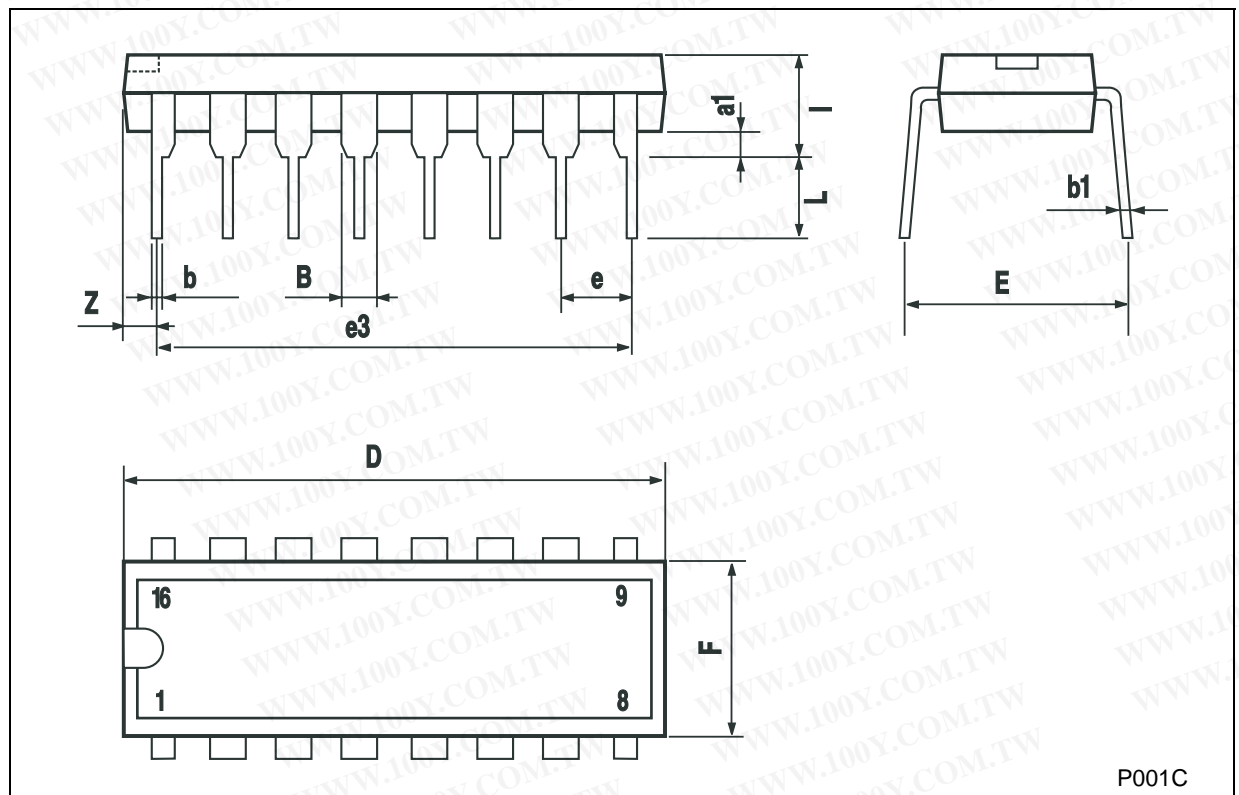
Figure 13: Output Current- $R_{EXT}$  Resistor

Figure 14: Power Dissipation vs Temperature Package



### Plastic DIP-16 (0.25) MECHANICAL DATA

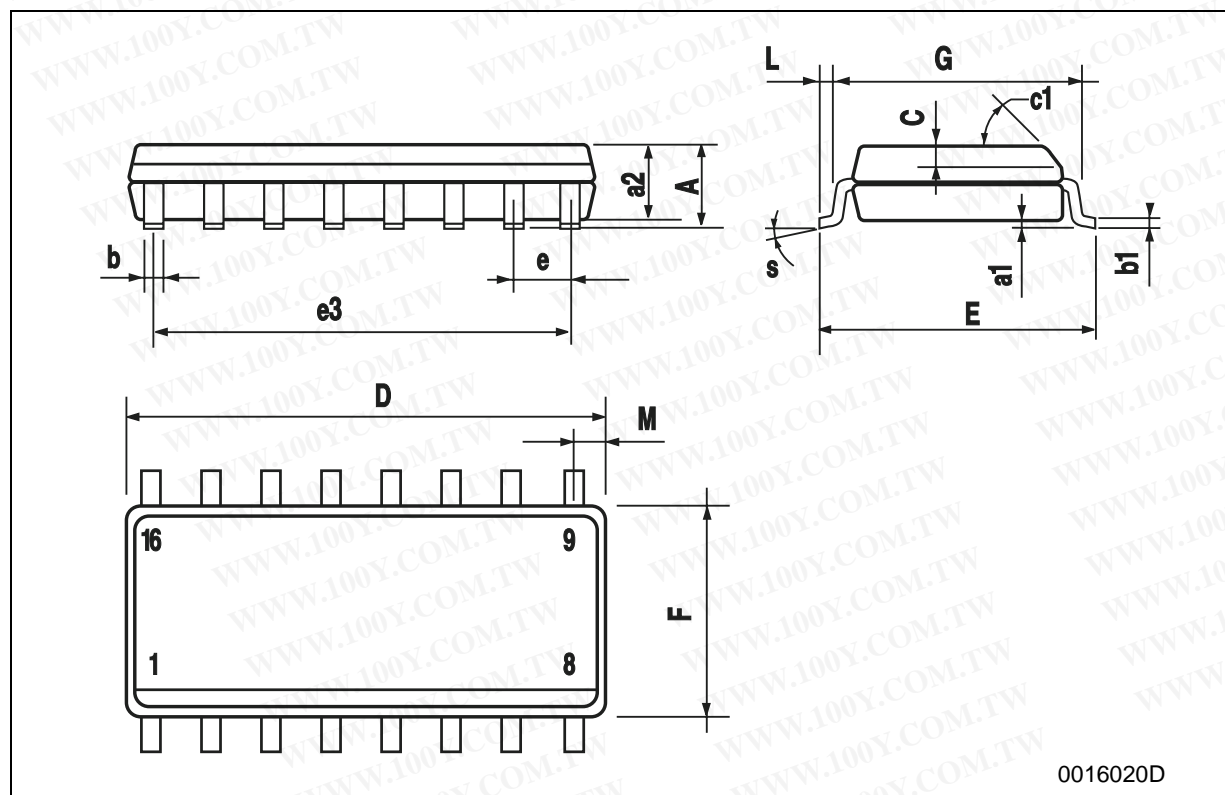
DIM.	mm.			inch		
	MIN.	TYP	MAX.	MIN.	TYP.	MAX.
a1	0.51			0.020		
B	0.77		1.65	0.030		0.065
b		0.5			0.020	
b1		0.25			0.010	
D			20			0.787
E		8.5			0.335	
e		2.54			0.100	
e3		17.78			0.700	
F			7.1			0.280
I			5.1			0.201
L		3.3			0.130	
Z			1.27			0.050



P001C

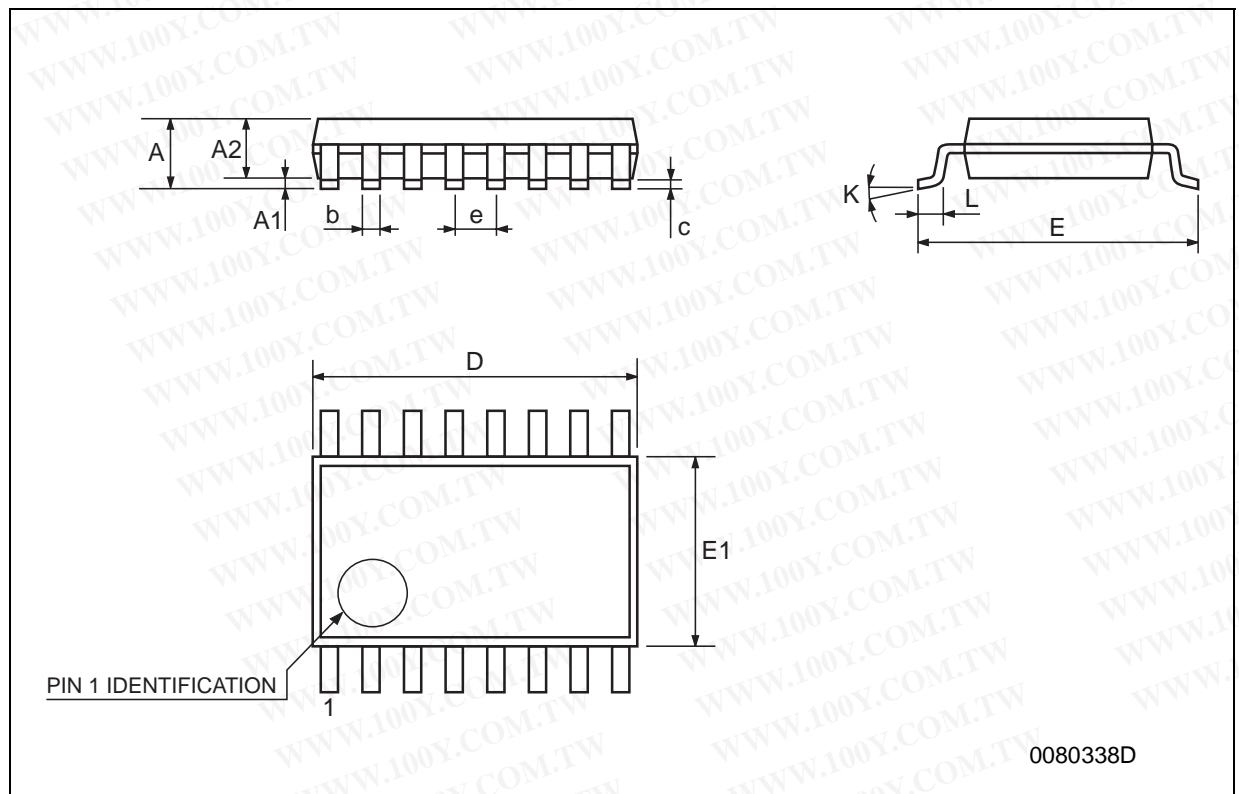
## SO-16 MECHANICAL DATA

DIM.	mm.			inch		
	MIN.	TYP.	MAX.	MIN.	TYP.	MAX.
A			1.75			0.068
a1	0.1		0.25	0.004		0.010
a2			1.64			0.063
b	0.35		0.46	0.013		0.018
b1	0.19		0.25	0.007		0.010
C		0.5			0.019	
c1	45° (typ.)					
D	9.8		10	0.385		0.393
E	5.8		6.2	0.228		0.244
e		1.27			0.050	
e3		8.89			0.350	
F	3.8		4.0	0.149		0.157
G	4.6		5.3	0.181		0.208
L	0.5		1.27	0.019		0.050
M			0.62			0.024
S	8° (max.)					



## TSSOP16 MECHANICAL DATA

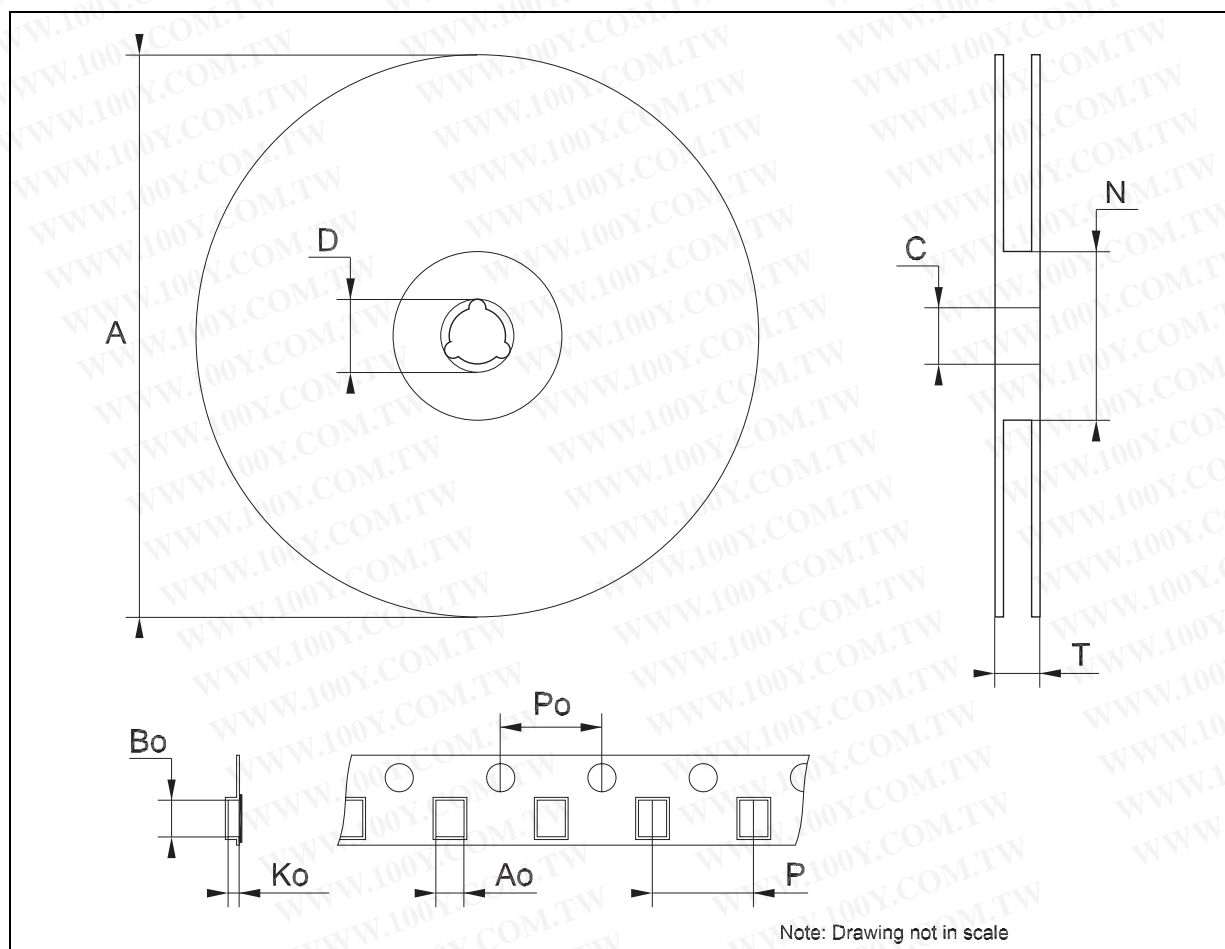
DIM.	mm.			inch		
	MIN.	TYP	MAX.	MIN.	TYP.	MAX.
A			1.2			0.047
A1	0.05		0.15	0.002	0.004	0.006
A2	0.8	1	1.05	0.031	0.039	0.041
b	0.19		0.30	0.007		0.012
c	0.09		0.20	0.004		0.0079
D	4.9	5	5.1	0.193	0.197	0.201
E	6.2	6.4	6.6	0.244	0.252	0.260
E1	4.3	4.4	4.48	0.169	0.173	0.176
e		0.65 BSC			0.0256 BSC	
K	0°		8°	0°		8°
L	0.45	0.60	0.75	0.018	0.024	0.030



0080338D

## Tape &amp; Reel SO-16 MECHANICAL DATA

DIM.	mm.			inch		
	MIN.	TYP	MAX.	MIN.	TYP.	MAX.
A			330			12.992
C	12.8		13.2	0.504		0.519
D	20.2			0.795		
N	60			2.362		
T			22.4			0.882
Ao	6.45		6.65	0.254		0.262
Bo	10.3		10.5	0.406		0.414
Ko	2.1		2.3	0.082		0.090
Po	3.9		4.1	0.153		0.161
P	7.9		8.1	0.311		0.319



## Tape &amp; Reel TSSOP16 MECHANICAL DATA

DIM.	mm.			inch		
	MIN.	TYP	MAX.	MIN.	TYP.	MAX.
A			330			12.992
C	12.8		13.2	0.504		0.519
D	20.2			0.795		
N	60			2.362		
T			22.4			0.882
Ao	6.7		6.9	0.264		0.272
Bo	5.3		5.5	0.209		0.217
Ko	1.6		1.8	0.063		0.071
Po	3.9		4.1	0.153		0.161
P	7.9		8.1	0.311		0.319

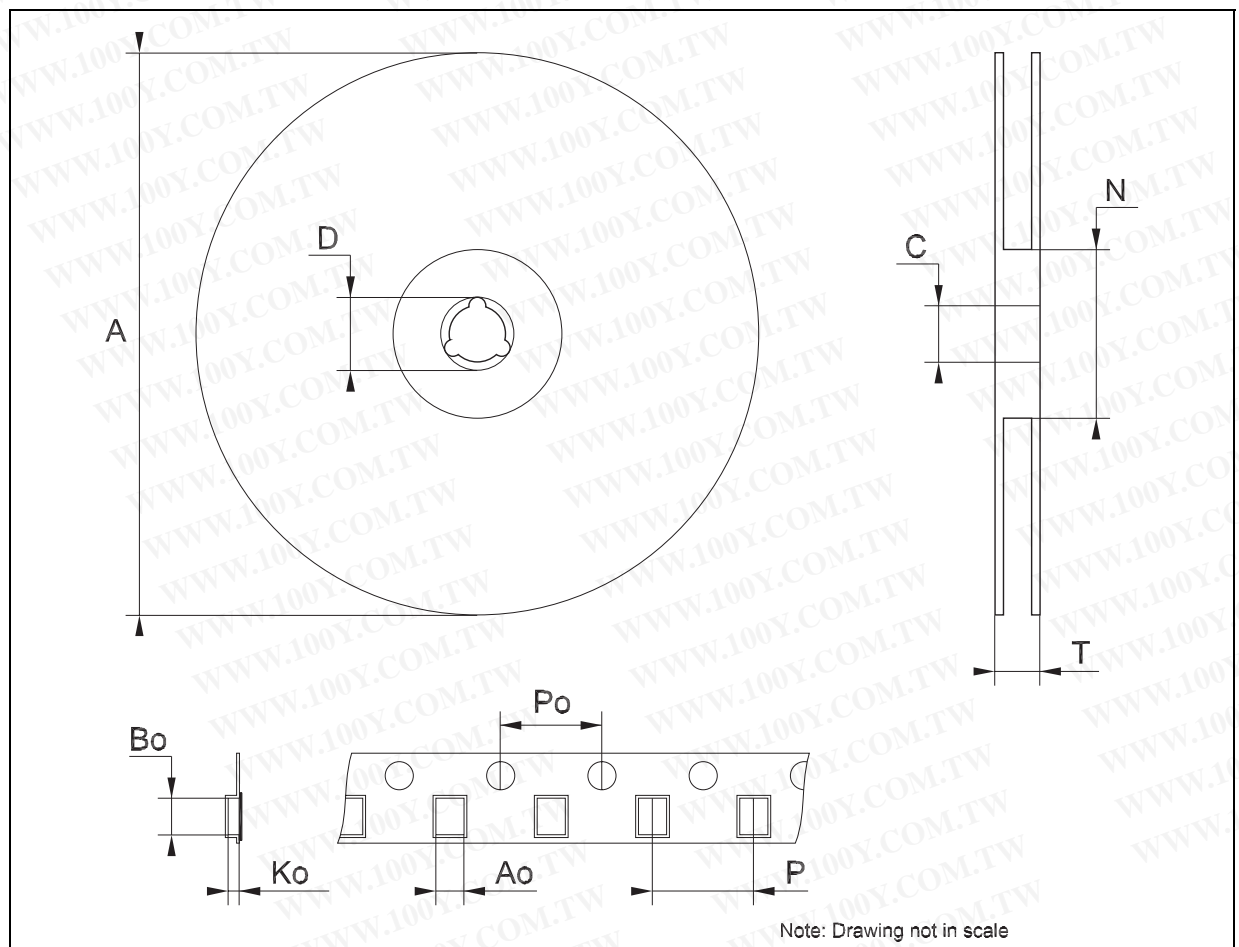


Table 9: Revision History

Date	Revision	Description of Changes
03-Aug-2004	6	Package TSSOP (Exposed Pad) removed. Table 8 - pag. 4 data changed. Figure 14 - pag. 10 changed.
23-Feb-2005	7	Mistake on Table 7 - I <sub>DDOFF</sub> and I <sub>DDON</sub> OUT 0 to 15 ==> OUT 0 to 7.

Information furnished is believed to be accurate and reliable. However, STMicroelectronics assumes no responsibility for the consequences of use of such information nor for any infringement of patents or other rights of third parties which may result from its use. No license is granted by implication or otherwise under any patent or patent rights of STMicroelectronics. Specifications mentioned in this publication are subject to change without notice. This publication supersedes and replaces all information previously supplied. STMicroelectronics products are not authorized for use as critical components in life support devices or systems without express written approval of STMicroelectronics.

The ST logo is a registered trademark of STMicroelectronics

All other names are the property of their respective owners

© 2005 STMicroelectronics - All Rights Reserved

STMicroelectronics group of companies

Australia - Belgium - Brazil - Canada - China - Czech Republic - Finland - France - Germany - Hong Kong - India - Israel - Italy - Japan - Malaysia - Malta - Morocco - Singapore - Spain - Sweden - Switzerland - United Kingdom - United States of America

[www.st.com](http://www.st.com)