



Stepper Motor Drive Circuit

FEATURES

- Half-step and Full-step Capability
- Bipolar Constant Current Motor Drive
- Built-in Fast Recovery Schottky Commutating Diodes
- Wide Range of Current Control 5-1000mA
- Wide Voltage Range 10-45V
- Designed for Unregulated Motor Supply Voltage
- Current Levels can be Selected in Steps or Varied Continuously
- Thermal Overload Protection

DESCRIPTION

The UC3717 has been designed to control and drive the current in one winding of a bipolar stepper motor. The circuit consists of an LS-TTL-compatible logic input, a current sensor, a monostable and an output stage with built-in protection diodes. Two UC3717s and a few external components form a complete control and drive unit for LS-TTL or micro-processor controlled stepper motor systems.

The UC1717 is characterized for operation over the full military temperature range of -55°C to +125°C, the UC2717 is characterized for -25°C to +85°C, and the UC3717 is characterized for 0°C to +70°C.

ABSOLUTE MAXIMUM RATINGS (Note 1)

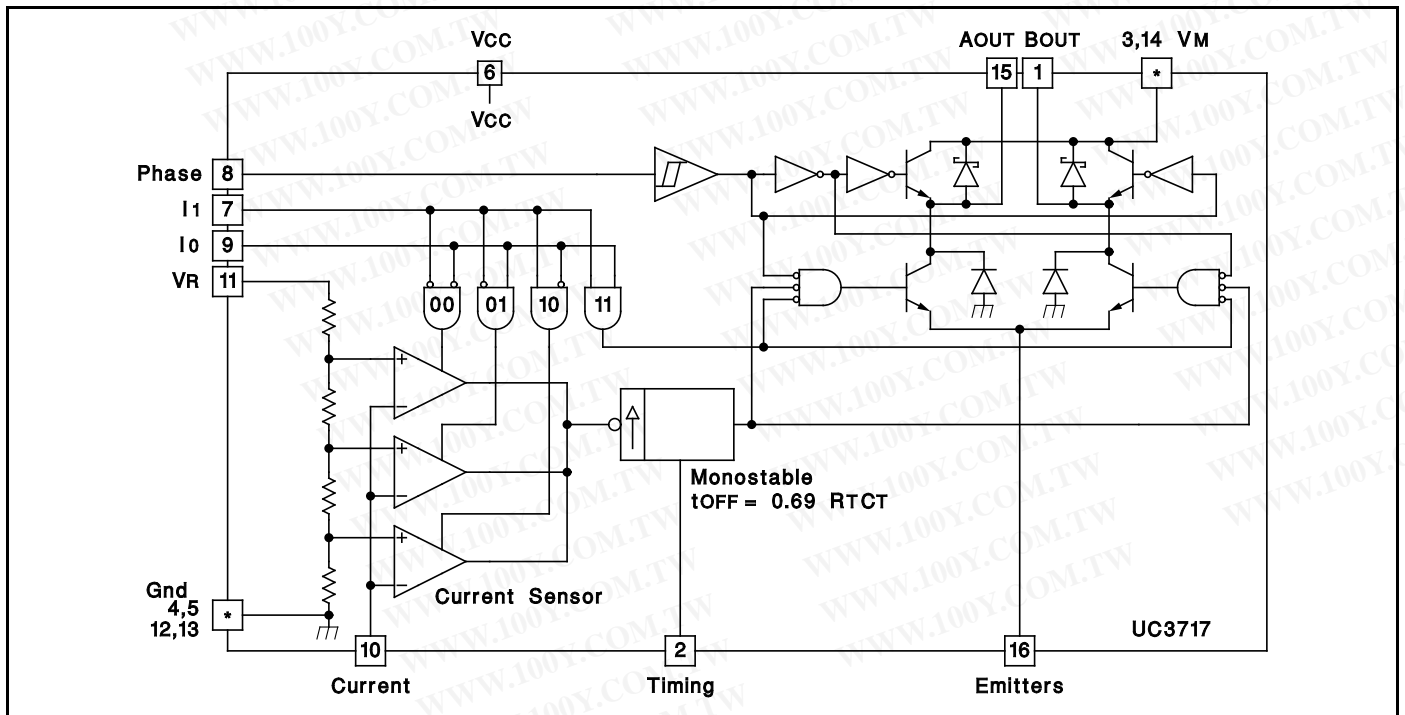
Voltage	
Logic Supply, Vcc	7V
Output Supply, VM	45V
Input Voltage	
Logic Inputs (Pins 7, 8, 9)	6V
Analog Input (Pin 10)	Vcc
Reference Input (Pin 11)	15V
Input Current	
Logic Inputs (Pins 7, 8, 9)	-10mA
Analog Inputs (Pins 10, 11)	-10mA
Output Current (Pins 1, 15)	±1A
Junction Temperature, T _J	+150°C
Storage Temperature Range, T _s	-55°C to +150°C

Note 1: All voltages are with respect to ground, Pins 4,5, 12, 13. Pin numbers refer to DIL-16 package. Currents are positive into, negative out of the specified terminal.

Note 2: Consult Packaging Section of Databook for information on thermal limitations and considerations of package.

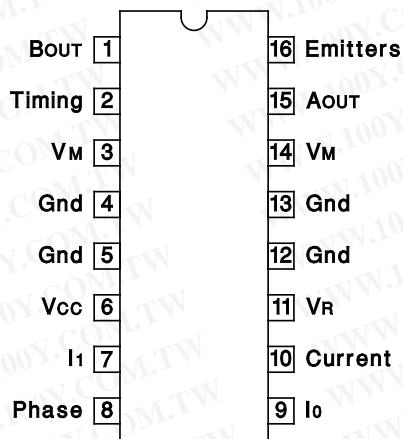
勝特力材料 886-3-5753170
 勝特力电子(上海) 86-21-34970699
 勝特力电子(深圳) 86-755-83298787
[Http://www.100y.com.tw](http://www.100y.com.tw)

BLOCK DIAGRAM

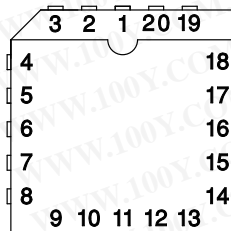


CONNECTION DIAGRAMS

DIL-16 (TOP VIEW)
J or N Package



PLCC-20 (TOP VIEW)
Q Package



PACKAGE PIN FUNCTION	
FUNCTION	PIN
N/C	1
BOUT	2
Timing	3
VM	4
Gnd	5
N/C	6
Gnd	7
Vcc	8
I1	9
Phase	10
N/C	11
Io	12
Current	13
Vr	14
Gnd	15
N/C	16
Gnd	17
Vm	18
AOUT	19
Emitters	20

RECOMMENDED OPERATING CONDITIONS

PARAMETER	MIN	TYP	MAX	UNITS
Supply Voltage, Vcc	4.75	5	5.25	V
Supply Voltage, VM	10		40	V
Output Current, Im	20		800	mA
Rise Time Logic Inputs, tr			2	μs
Fall Time Logic Inputs, tf			2	μs
Ambient Temperature, TA				
UC1717	-55		125	°C
UC2717	-25		85	°C
UC3717	0		70	°C

ELECTRICAL CHARACTERISTICS Unless otherwise specified, these specifications apply for Vcc = 5V, TA = Tj.

PARAMETER	TEST CONDITIONS	MIN	TYP	MAX	UNITS
Supply Current, Icc				25	mA
High-Level Input Voltage, Pins 7, 8, 9		2.0			V
Low-Level Input Voltage, Pins 7, 8, 9				0.8	V
High-Level Input Current, Pins 7, 8, 9	Vi = 2.4V			20	μA
Low Level Input Current, Pins 7, 8, 9	Vi = 0.4V	-0.4			mA
Comparator Threshold Voltage	Io = 0, I1 = 0, Vr = 5.0V	390	420	440	mV
	Io = 1, I1 = 0, Vr = 5.0V	230	250	270	mV
	Io = 0, I1 = 1, Vr = 5.0V	65	80	90	mV
Comparator Input Current		-20		20	μA
Output Leakage Current	Io = 1, I1 = 1, TA = +25°C			100	μA
Total Saturation Voltage Drop	Im = 500mA			4.0	V
Total Power Dissipation	Im = 500mA, fs = 30kHz		1.4	2.1	W
	Im = 800mA, fs = 30kHz		2.9	3.1	W
Cut Off Time, toff	VM = 10V, ton ≥ 5μs (See Figure 5 and 6)	25	30	35	μs
Turn Off Delay, td	TA = +25°C; dVc/dt ≥ 50mV/μs (See Figure 5 and 6)		1.6	2.0	μs
Thermal Shutdown Junction Temperature		+160		+180	°C

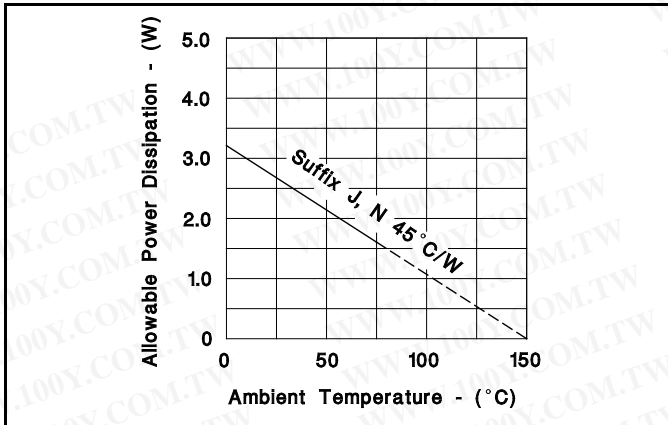


Figure 1

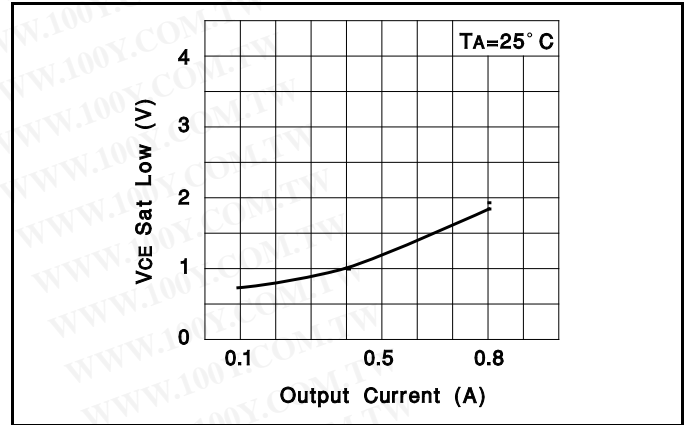


Figure 3: Typical Sink Saturation Voltage vs Output Current

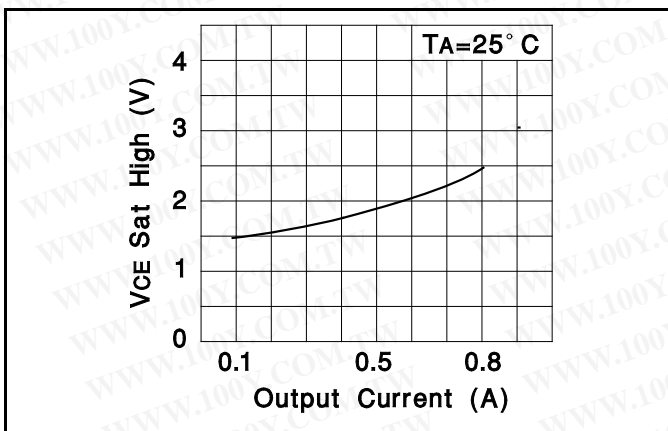


Figure 2: Typical Source Saturation Voltage vs Output Current

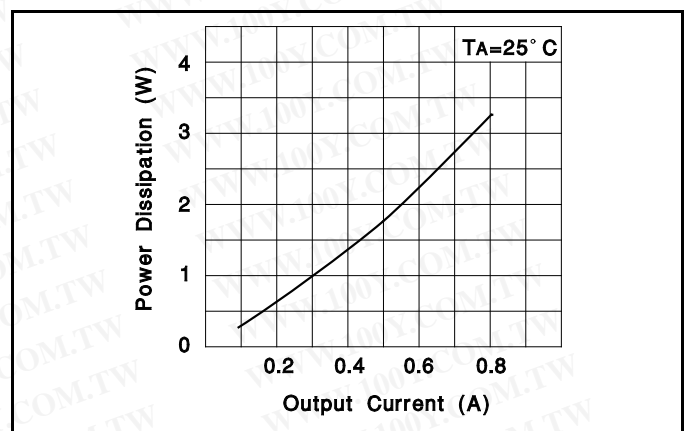


Figure 4: Typical Power Losses vs Output Current

FUNCTIONAL DESCRIPTION

The UC3717 drive circuit shown in the block diagram includes the following functions:

- (1) Phase Logic and H-Bridge Output Stage
- (2) Voltage Divider with three Comparators for current control
- (3) Two Logic inputs for Digital current level select
- (4) Monostable for off time generation

Input Logic: If any of the logic inputs are left open, the circuit will treat it as a high level input.

Phase Input: The phase input terminal, pin 18, controls the direction of the current through the motor winding. The Schmidt-Trigger input coupled with a fixed time delay assures noise immunity and eliminates cross conduction in the output stage during phase changes. A low level on the phase input will turn Q2 on and enable Q3 while a high level will turn Q1 on and enable Q4. (See Figure 7).

Output Stage: The output stage consists of four Darlington transistors and associated diodes connected in an H-Bridge configuration. The diodes are needed to provide a current path when the transistors are being switched. For fast recovery, Schottky diodes are used

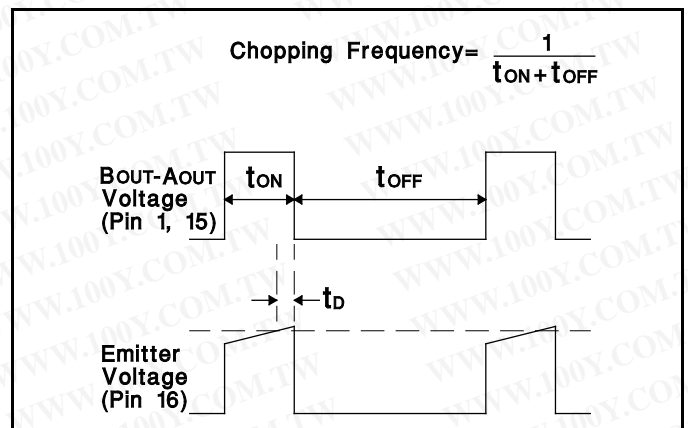


Figure 5: Connections and Component Values as in Figure 6.

across the source transistors. The Schottky diodes allow the current to circulate through the winding while the sink transistors are being switched off. The diodes across the sink transistors in conjunction with the Schottkys provide the path for the decaying current during phase reversal. (See Figure 7).

PHASE INPUT	Q1, Q4	Q2, Q3
Low	Off	On
High	On	Off

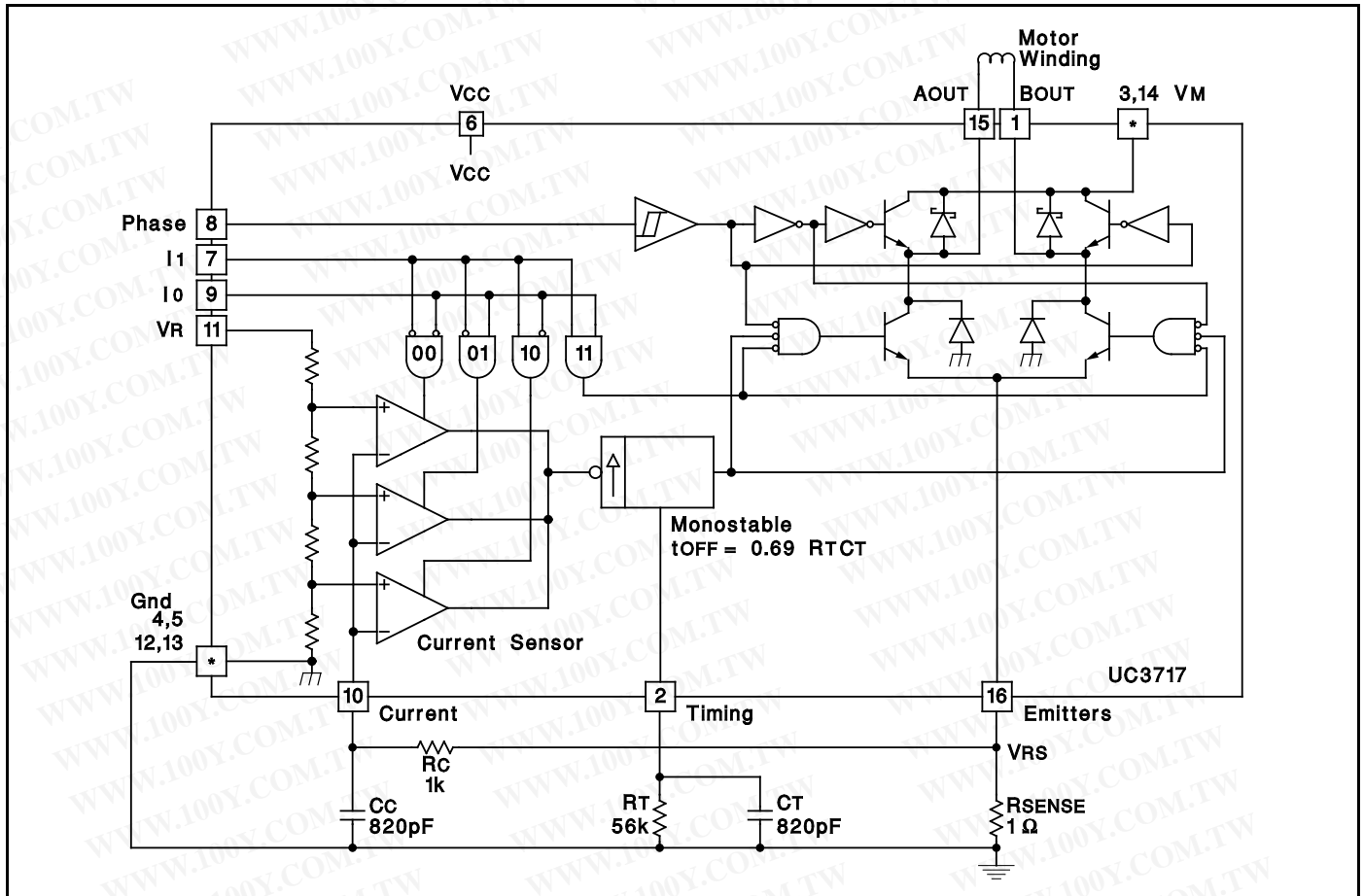


Figure 6

I ₀	I ₁	CURRENT LEVEL
0	0	100%
1	0	60%
0	1	19%
1	1	Current Inhibit

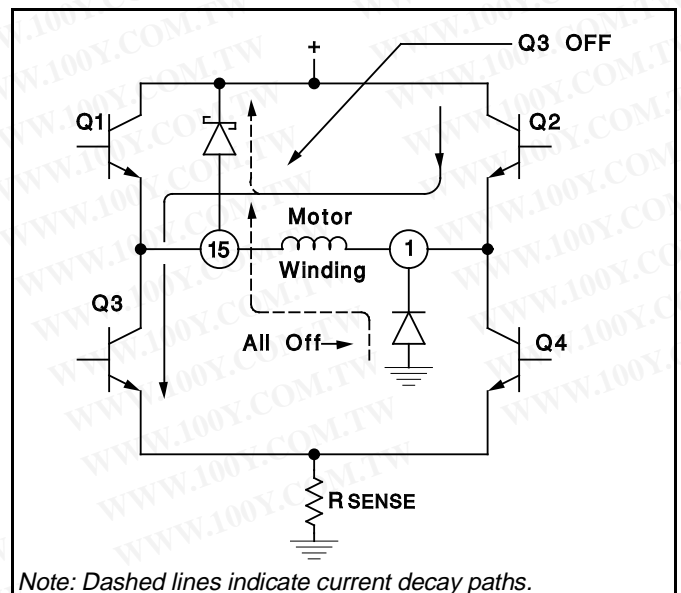
Current Control: The voltage divider, comparators and monostable provide a means for current sensing and control. The two bit input (I₀, I₁) logic selects the desired comparator. The monostable controls the off time and therefore the magnitude of the current decrease. The time duration is determined by R_T and C_T connected to the timing terminal (pin 2). The reference terminal (pin 11) provides a means of continuously varying the current for situations requiring half-stepping and micro-stepping. The relationship between the logic input signals at pin 7 and 9 in reference to the current level is shown in Table 1. The values of the different current levels are determined by the reference voltage together with the value of the external sense resistor R_s (pin 16).

Single-Pulse Generator: The pulse generator is a monostable triggered on the positive going edge of the comparator. Its output is high during the pulse time and this pulse switches off the power feed to the motor wind-

ing causing the current to decay. The time is determined by the external timing components R_T and C_T as:

$$T_{OFF} = 0.69 R_T C_T$$

If a new trigger signal should occur during T_{OFF}, it is ignored.



Note: Dashed lines indicate current decay paths.

Figure 7: Simplified Schematic of Output Stage

FUNCTIONAL DESCRIPTION (cont.)

Overload Protection: The circuit is equipped with a thermal shutdown function, which will limit the junction temperature by reducing the output current. It should be noted however, that a short circuit of the output is not permitted.

Operation: When the voltage is applied across the motor winding the current rises linearly and appears across the external sense resistor as an analog voltage. This voltage is fed through a low pass filter R_c , C_c to the voltage comparator (pin 10). At the moment the voltage rises beyond the comparator threshold voltage the monostable is triggered and its output turns off the sink transistors. The current then circulates through the source transistor and the appropriate Schottky diode. After the one shot has timed out, the sink transistor is turned on again and the procedure repeated until a current reverse command is given. By reversing the logic level of the phase input (pin 8), both active transistors are being turned off and the opposite pair turned on. When this happens the current must first decay to zero before it can reverse. The current path then provided is through the two diodes and the power-supply. Refer to Figure 7. It should be noted at this time that the slope of the current decay is steeper, and this is due to the higher voltage build up across the winding. For better speed performance of the stepping motor at half step mode, the phase logic level should be changed at the same time the current inhibit is applied. A typical current wave form is shown in Figure 8.

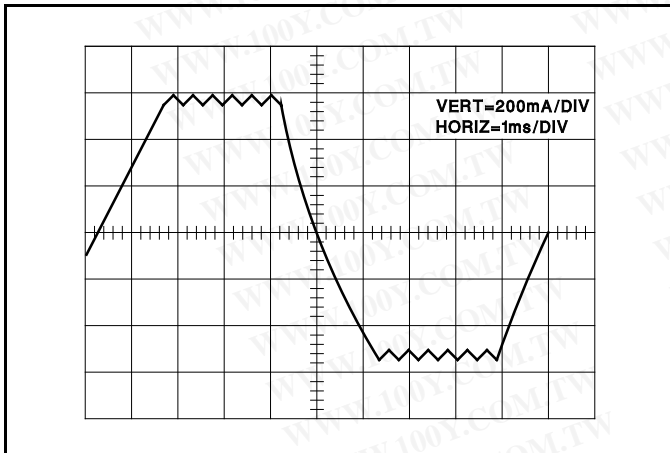


Figure 8

APPLICATIONS

A typical chopper drive for a two phase bipolar permanent magnet or hybrid stepping motor is shown in Figure 9. The input can be controlled by a microprocessor, TTL, LS or CMOS logic.

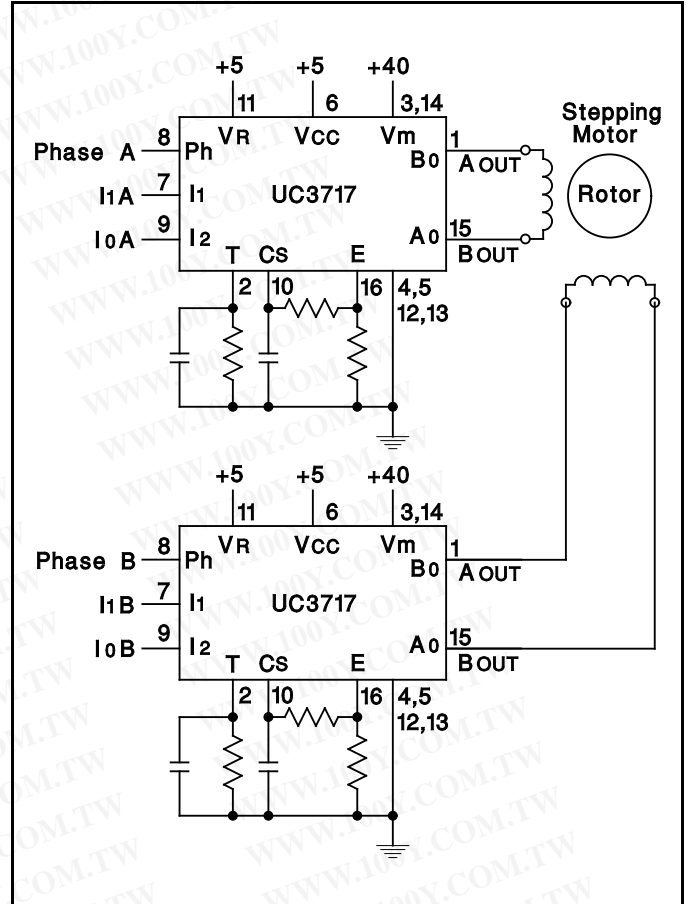


Figure 9

The timing diagram in Figure 10 shows the required signal input for a two phase, full step, stepping sequence. Figure 11 shows a one phase, full step, stepping sequence, commonly referred to as wave drive. Figure 12 shows the required input signal for a one phase-two phase stepping sequence called half-stepping.

The circuit of Figure 13 provides the signal shown in Figure 10, and in conjunction with the circuit shown in Figure 9, will implement a pulse-to-step two phase, full step, bidirectional motor drive.

The schematic of Figure 14 shows a pulse to half step circuit generating the signal shown in Figure 12. Care has been taken to change the phase signal the same time the current inhibit is applied. This will allow the current to decay faster and therefore enhance the motor performance at higher step rates.

Using the UC3717 to drive the L298 provides a uniquely packaged state-of-the-art high power stepper motor control and drive. See Figure 15.

FUNCTIONAL DESCRIPTION (cont.)

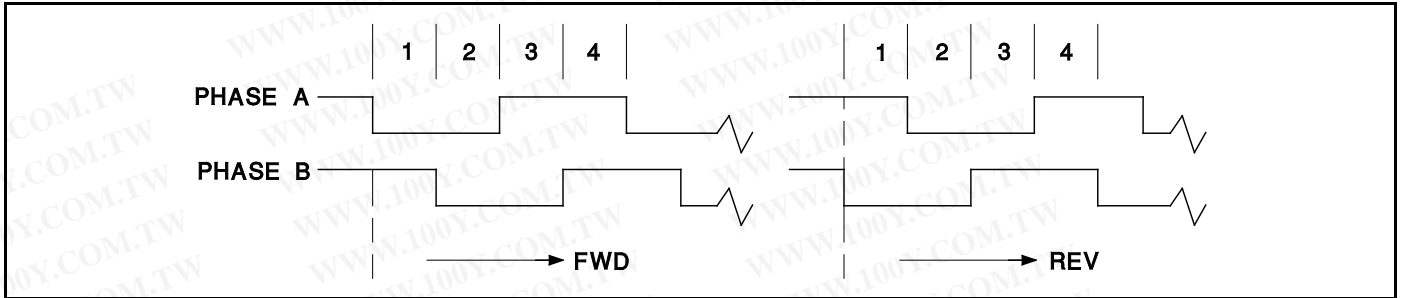


Figure 10: Phase Input Signal for Two Phase Full Step Drive (4 Step Sequence)

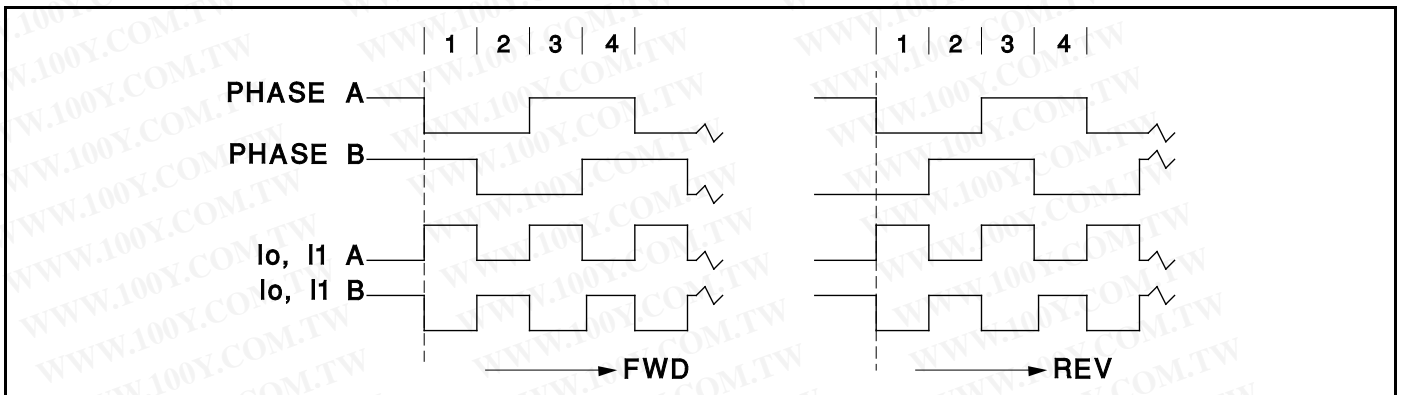


Figure 11: Phase and Current-Inhibit Signal for Wave Drive (4 Step Sequence)

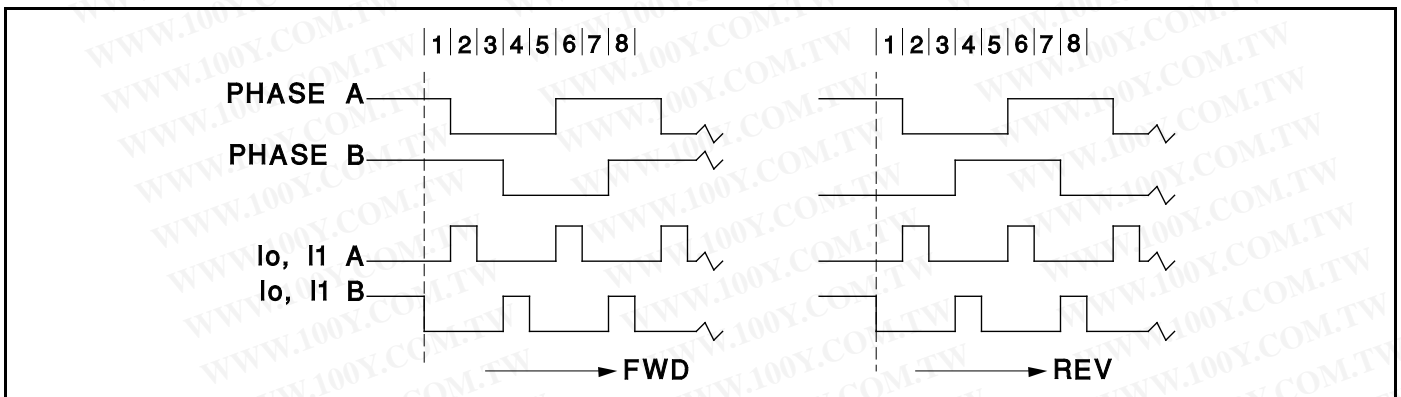


Figure 12: Phase and Current-Inhibit Signal for Half Stepping (8 Step Sequence)

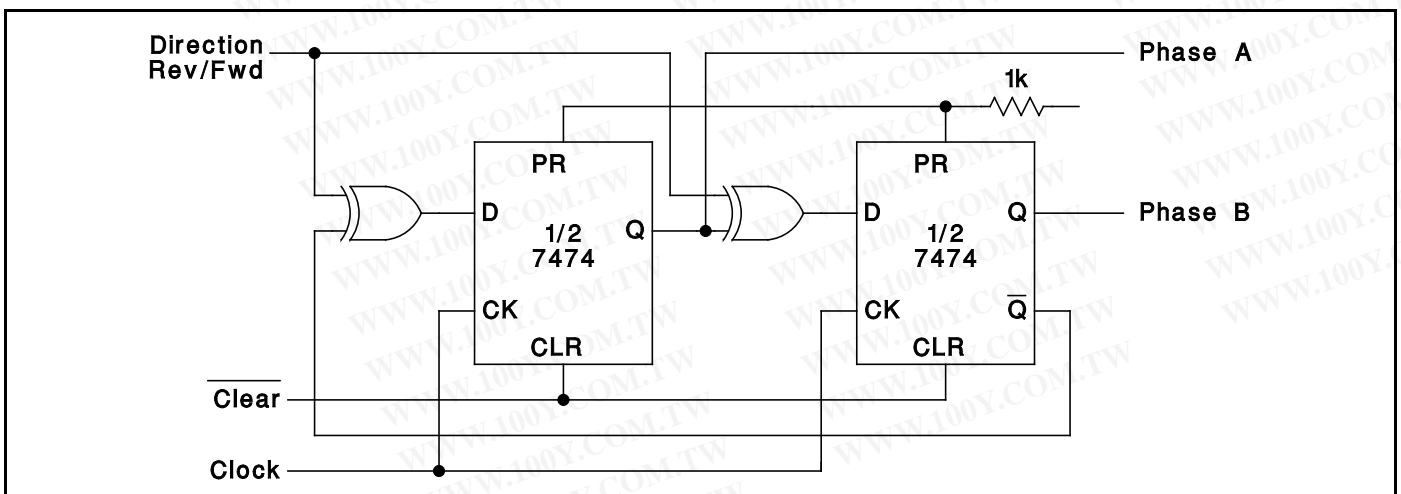


Figure 13: Full Step Bidirectional Two Phase Drive Logic

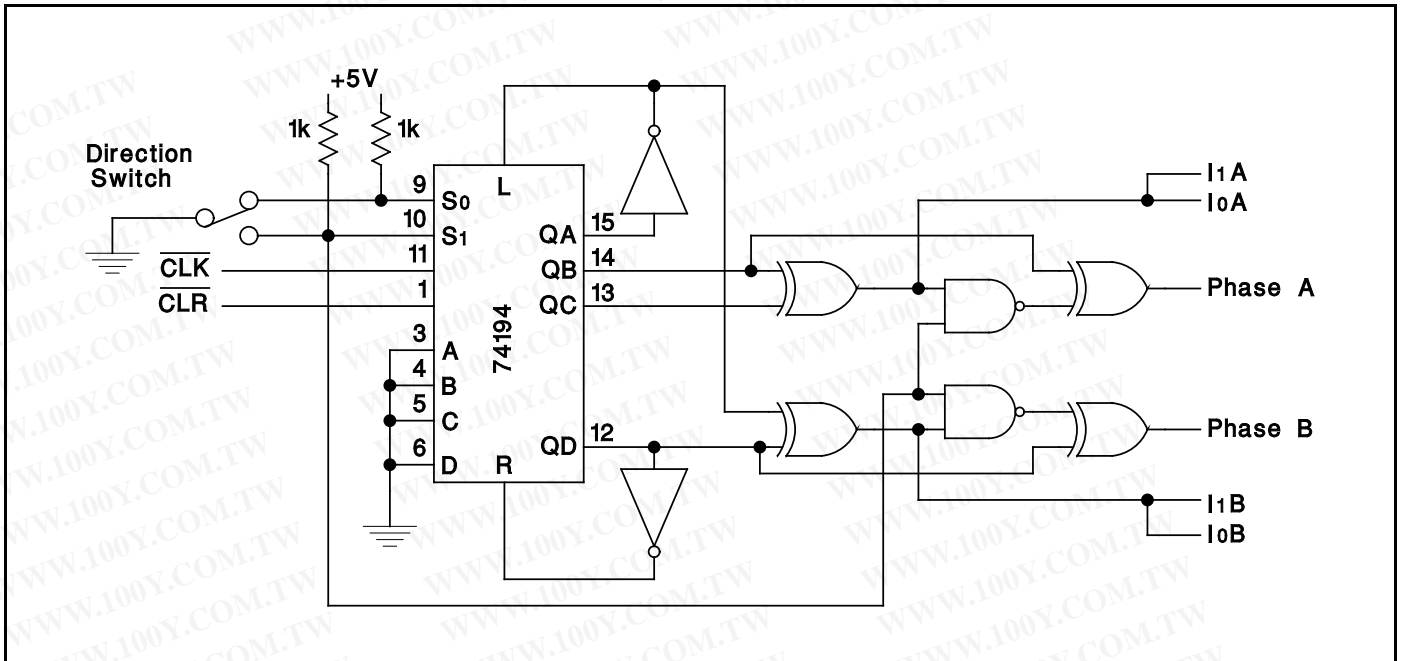


Figure 14: Half-Step, Bidirectional Drive Logic

CONSIDERATION

Half-Stepping: In the half step sequence the power input to the motor alternates between one or two phases being energized. In a two phase motor the electrical phase shift between the windings is 90 degrees. The torque developed is the vector sum of the two windings energized. Therefore when only one winding is energized the torque of the motor is reduced by approximately 30%. This causes a torque ripple and if it is necessary to compensate for this, the V_R input can be used to boost the current of the single energized winding.

Ramping: Every drive system has inertia and must be considered in the drive scheme. The rotor and load inertia plays a big role at higher speeds. Unlike the DC motor the stepping motor is a synchronous motor and does not change its speed due to load variations. Examining typical stepping motors, torque vs. speed curves indicates a sharp torque drop off for the start-stop without error curve, even with a constant current drive. The reason for this is that the torque requirements increase by the square of the speed change, and the power need increases by the cube of the speed change. As it can be seen, for good motor performance controlled acceleration and deceleration should be considered.

Iron Core Losses: Some motors, especially the Tin-Can type, exhibit high iron losses mostly due to eddy currents

which rise in an exponential manner as the frequency or step rate is increased. The power losses can not be calculated by I^2R where I is the chopping current level and R the DC resistance of the coil. Actual measurements indicate the effective resistance may be many times larger. Therefore, for 100% duty cycle the current must be limited to a value which will not overheat the motor. This may not be necessary for lower duty cycle operation.

Interference: Electrical noise generated by the chopping action can cause interference problems, particularly in the vicinity of magnetic storage media. With this in mind, printed circuit layouts, wire runs and decoupling must be considered. 0.01 to 0.1 μ F ceramic capacitors for high frequency bypass located near the drive package across $V+$ and ground might be very helpful. The connection and ground leads of the current sensing components should be kept as short as possible.

Ordering Information

UNITRODE TYPE NUMBER

UC3717N - 16 Pin Dual-in-line (DIL) "Bat Wing" Package

UC1717J - 16 Pin Dual-in-line Ceramic Package

UC1717SP - 16 Pin Dual-in-line Hermetic Power Package

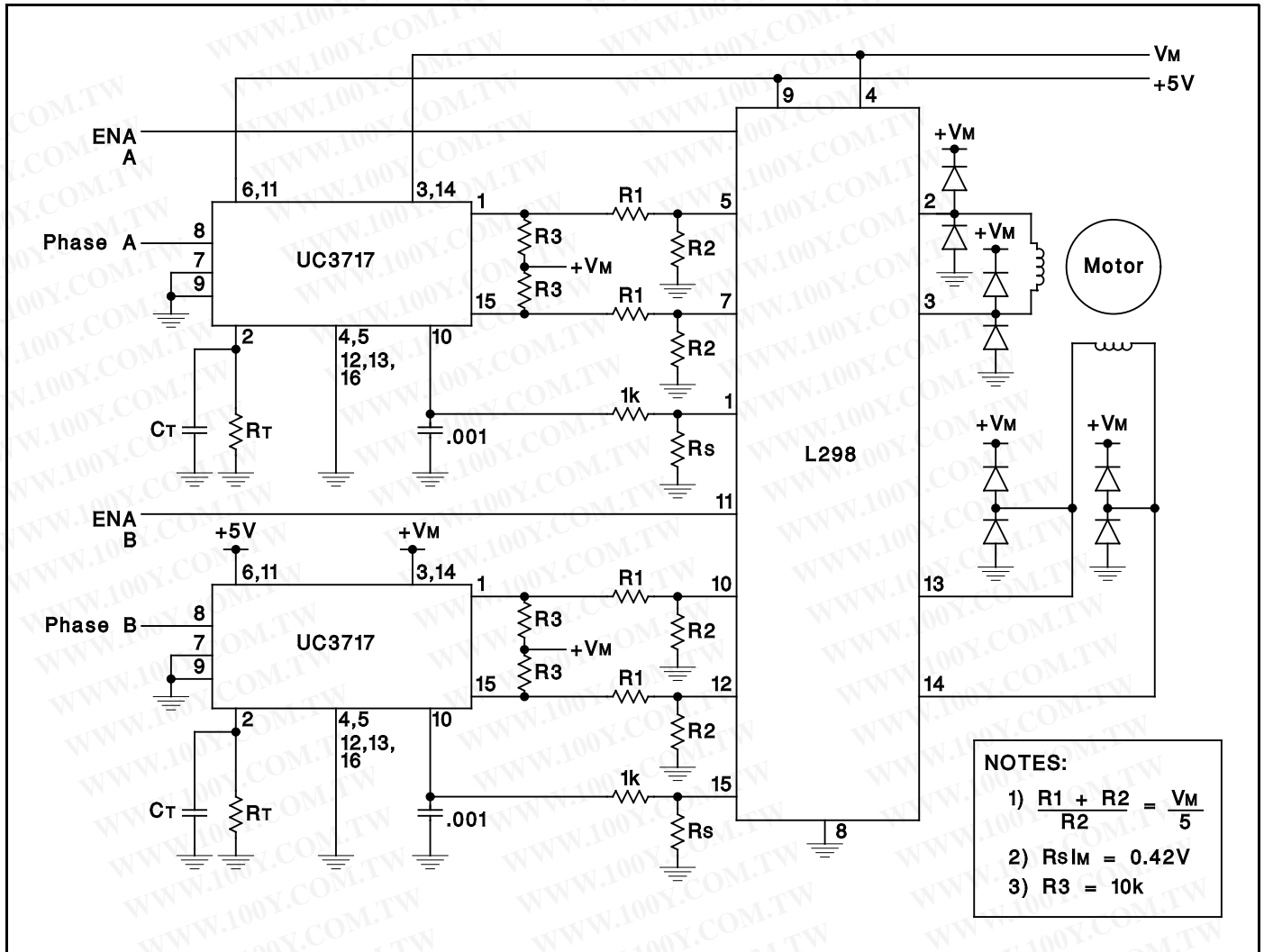


Figure 15: UC3717 with L298 Power Amplifier

PACKAGING INFORMATION

Orderable Device	Status ⁽¹⁾	Package Type	Package Drawing	Pins	Package Qty	Eco Plan ⁽²⁾	Lead/Ball Finish	MSL Peak Temp ⁽³⁾
5962-9474601M2A	OBSOLETE	LCCC	FK	20		TBD	Call TI	Call TI
UC1717J	OBSOLETE	CDIP	J	16		TBD	Call TI	Call TI
UC1717J883B	OBSOLETE	CDIP	J	16		TBD	Call TI	Call TI
UC1717L883B	OBSOLETE	LCCC	FK	20		TBD	Call TI	Call TI
UC1717SP883B	OBSOLETE	CDIP	J	16		TBD	Call TI	Call TI
UC2717J	OBSOLETE	CDIP	J	16		TBD	Call TI	Call TI
UC3717J	OBSOLETE	CDIP	J	16		TBD	Call TI	Call TI
UC3717N	OBSOLETE	PDIP	N	16		TBD	Call TI	Call TI
UC3717Q	OBSOLETE	PLCC	FN	20		TBD	Call TI	Call TI
UC3717QTR	OBSOLETE	PLCC	FN	20		TBD	Call TI	Call TI

⁽¹⁾ The marketing status values are defined as follows:

ACTIVE: Product device recommended for new designs.

LIFEBUY: TI has announced that the device will be discontinued, and a lifetime-buy period is in effect.

NRND: Not recommended for new designs. Device is in production to support existing customers, but TI does not recommend using this part in a new design.

PREVIEW: Device has been announced but is not in production. Samples may or may not be available.

OBSOLETE: TI has discontinued the production of the device.

⁽²⁾ Eco Plan - The planned eco-friendly classification: Pb-Free (RoHS), Pb-Free (RoHS Exempt), or Green (RoHS & no Sb/Br) - please check <http://www.ti.com/productcontent> for the latest availability information and additional product content details.

TBD: The Pb-Free/Green conversion plan has not been defined.

Pb-Free (RoHS): TI's terms "Lead-Free" or "Pb-Free" mean semiconductor products that are compatible with the current RoHS requirements for all 6 substances, including the requirement that lead not exceed 0.1% by weight in homogeneous materials. Where designed to be soldered at high temperatures, TI Pb-Free products are suitable for use in specified lead-free processes.

Pb-Free (RoHS Exempt): This component has a RoHS exemption for either 1) lead-based flip-chip solder bumps used between the die and package, or 2) lead-based die adhesive used between the die and leadframe. The component is otherwise considered Pb-Free (RoHS compatible) as defined above.

Green (RoHS & no Sb/Br): TI defines "Green" to mean Pb-Free (RoHS compatible), and free of Bromine (Br) and Antimony (Sb) based flame retardants (Br or Sb do not exceed 0.1% by weight in homogeneous material)

⁽³⁾ MSL, Peak Temp. -- The Moisture Sensitivity Level rating according to the JEDEC industry standard classifications, and peak solder temperature.

Important Information and Disclaimer:The information provided on this page represents TI's knowledge and belief as of the date that it is provided. TI bases its knowledge and belief on information provided by third parties, and makes no representation or warranty as to the accuracy of such information. Efforts are underway to better integrate information from third parties. TI has taken and continues to take reasonable steps to provide representative and accurate information but may not have conducted destructive testing or chemical analysis on incoming materials and chemicals. TI and TI suppliers consider certain information to be proprietary, and thus CAS numbers and other limited information may not be available for release.

In no event shall TI's liability arising out of such information exceed the total purchase price of the TI part(s) at issue in this document sold by TI to Customer on an annual basis.

勝特力材料 886-3-5753170
勝特力电子(上海) 86-21-34970699
勝特力电子(深圳) 86-755-83298787
Http://www.100y.com.tw

IMPORTANT NOTICE

Texas Instruments Incorporated and its subsidiaries (TI) reserve the right to make corrections, modifications, enhancements, improvements, and other changes to its products and services at any time and to discontinue any product or service without notice. Customers should obtain the latest relevant information before placing orders and should verify that such information is current and complete. All products are sold subject to TI's terms and conditions of sale supplied at the time of order acknowledgment.

TI warrants performance of its hardware products to the specifications applicable at the time of sale in accordance with TI's standard warranty. Testing and other quality control techniques are used to the extent TI deems necessary to support this warranty. Except where mandated by government requirements, testing of all parameters of each product is not necessarily performed.

TI assumes no liability for applications assistance or customer product design. Customers are responsible for their products and applications using TI components. To minimize the risks associated with customer products and applications, customers should provide adequate design and operating safeguards.

TI does not warrant or represent that any license, either express or implied, is granted under any TI patent right, copyright, mask work right, or other TI intellectual property right relating to any combination, machine, or process in which TI products or services are used. Information published by TI regarding third-party products or services does not constitute a license from TI to use such products or services or a warranty or endorsement thereof. Use of such information may require a license from a third party under the patents or other intellectual property of the third party, or a license from TI under the patents or other intellectual property of TI.

Reproduction of TI information in TI data books or data sheets is permissible only if reproduction is without alteration and is accompanied by all associated warranties, conditions, limitations, and notices. Reproduction of this information with alteration is an unfair and deceptive business practice. TI is not responsible or liable for such altered documentation. Information of third parties may be subject to additional restrictions.

Resale of TI products or services with statements different from or beyond the parameters stated by TI for that product or service voids all express and any implied warranties for the associated TI product or service and is an unfair and deceptive business practice. TI is not responsible or liable for any such statements.

TI products are not authorized for use in safety-critical applications (such as life support) where a failure of the TI product would reasonably be expected to cause severe personal injury or death, unless officers of the parties have executed an agreement specifically governing such use. Buyers represent that they have all necessary expertise in the safety and regulatory ramifications of their applications, and acknowledge and agree that they are solely responsible for all legal, regulatory and safety-related requirements concerning their products and any use of TI products in such safety-critical applications, notwithstanding any applications-related information or support that may be provided by TI. Further, Buyers must fully indemnify TI and its representatives against any damages arising out of the use of TI products in such safety-critical applications.

TI products are neither designed nor intended for use in military/aerospace applications or environments unless the TI products are specifically designated by TI as military-grade or "enhanced plastic." Only products designated by TI as military-grade meet military specifications. Buyers acknowledge and agree that any such use of TI products which TI has not designated as military-grade is solely at the Buyer's risk, and that they are solely responsible for compliance with all legal and regulatory requirements in connection with such use.

TI products are neither designed nor intended for use in automotive applications or environments unless the specific TI products are designated by TI as compliant with ISO/TS 16949 requirements. Buyers acknowledge and agree that, if they use any non-designated products in automotive applications, TI will not be responsible for any failure to meet such requirements.

Following are URLs where you can obtain information on other Texas Instruments products and application solutions:

Products

Amplifiers	amplifier.ti.com
Data Converters	dataconverter.ti.com
DSP	dsp.ti.com
Clocks and Timers	www.ti.com/clocks
Interface	interface.ti.com
Logic	logic.ti.com
Power Mgmt	power.ti.com
Microcontrollers	microcontroller.ti.com
RFID	www.ti-rfid.com
RF/IF and ZigBee® Solutions	www.ti.com/lprf

Applications

Audio	www.ti.com/audio
Automotive	www.ti.com/automotive
Broadband	www.ti.com/broadband
Digital Control	www.ti.com/digitalcontrol
Medical	www.ti.com/medical
Military	www.ti.com/military
Optical Networking	www.ti.com/opticalnetwork
Security	www.ti.com/security
Telephony	www.ti.com/telephony
Video & Imaging	www.ti.com/video
Wireless	www.ti.com/wireless

Mailing Address: Texas Instruments, Post Office Box 655303, Dallas, Texas 75265
Copyright © 2008, Texas Instruments Incorporated