

### Description

The  $\mu$ PD8155 and  $\mu$ PD8156 are  $\mu$ PD8085A family components having  $256 \times 8$ -bit static RAM, 3 programmable I/O ports, and a programmable timer. They directly interface to the multiplexed  $\mu$ PD8085A bus with no external logic. The  $\mu$ PD8155 has an active low chip enable while the  $\mu$ PD8156 is active high.

The  $\mu$ PD8155 and  $\mu$ PD8156 contain 2048 bits ( $256 \times 8$ ) of static RAM. The 256 words of memory may be selected anywhere within the system's 64K memory space by coding the upper 8 bits of address from the  $\mu$ PD8085A as a chip select.

The two general purpose 8-bit ports (PA and PB) may be programmed for input or output either in interrupt or status mode. The single 6-bit port (PC) may be used as a control for PA and PB or as a general purpose I/O port. The  $\mu$ PD8155 and  $\mu$ PD8156 are programmed for their system personalities by writing into their command/status (C/S) registers upon system initialization.

The timer is a single 14-bit down counter which is programmable for 4 modes of output operation; see table 3.

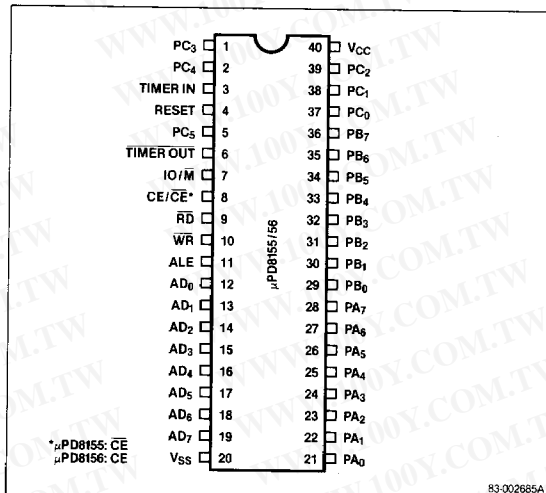
### Features

- $256 \times 8$ -bit static RAM
- Two programmable 8-bit I/O ports
- One programmable 6-bit I/O port
- Single  $+5V \pm 10\%$  power supply
- Directly interfaces to the  $\mu$ PD8085A and  $\mu$ PD8085A-2
- Programmable 14-bit binary counter/timer

### Ordering Information

Part Number	Package Type	Max Frequency of Operation
$\mu$ PD8155C / 55HC	40-pin plastic DIP	3 MHz
$\mu$ PD8155C-2 / 55HC-2	40-pin plastic DIP	5 MHz
$\mu$ PD8156C / 56HC	40-pin plastic DIP	3 MHz
$\mu$ PD8156C-2 / 56HC-2	40-pin plastic DIP	5 MHz

### Pin Configuration



### Pin Identification

No.	Symbol	Function
1, 2, 5, 37-39	PC <sub>0</sub> -PC <sub>5</sub>	6-bit I/O port or control lines
3	TIMER IN	Timer clock input
4	RESET	Reset input
6	TIMER OUT	Timer counter output
7	IO / M	I/O or memory select input
8	CE / CE	Chip enable input
9	RD	Read strobe input
10	WR	Write strobe input
11	ALE	Address low enable input
12-19	AD <sub>0</sub> -AD <sub>7</sub>	Low address / data bus I/O
20	V <sub>SS</sub>	Ground
21-28	PA <sub>0</sub> -PA <sub>7</sub>	8-bit I/O port A
29-36	PB <sub>0</sub> -PB <sub>7</sub>	8-bit I/O port B
40	V <sub>CC</sub>	+5V power supply

勝特力材料 886-3-5753170  
 勝特力电子(上海) 86-21-54151736  
 勝特力电子(深圳) 86-755-83298787  
[Http://www.100y.com.tw](http://www.100y.com.tw)

**Pin Functions****AD<sub>0</sub>-AD<sub>7</sub> (Low Address/Data Bus)**

Three-state address/data (AD) lines that interface with the CPU lower 8-bit address/data bus. The 8-bit address is loaded into the internal address latch on the falling edge of ALE. The 8-bit data is then written to or read from the chip, based on  $\overline{WR}$  and  $\overline{RD}$  strobe inputs.

**PA<sub>0</sub>-PA<sub>7</sub> (Port A)**

8-bit general purpose I/O port. Data direction is selected by programming the command status register.

**PB<sub>0</sub>-PB<sub>7</sub> (Port B)**

8-bit general purpose I/O port. Data direction is selected by programming the command status register.

**PC<sub>0</sub>-PC<sub>5</sub> (Port C)**

6-bit general purpose I/O port or control signals for PA and PB. Port C function is selected by programming the command status register.

**ALE (Address Low Enable)**

This input control signal latches the address on the AD<sub>0</sub>-AD<sub>7</sub> lines and the states of  $\overline{CE}/\overline{CE}$  and  $\overline{IO}/\overline{M}$  into the chip on the falling edge of ALE.

 **$\overline{CE}/\overline{CE}$  (Chip Enable)**

The chip enable input is active low for μPD8155 and active high for μPD8156.

 **$\overline{IO}/\overline{M}$  (I/O or Memory Select)**

This input selects either internal RAM memory if low or I/O and command status registers if high.

**RESET (Reset)**

The reset input from μPD8085A initializes ports A, B, and C to the input mode.

**TIMER IN (Timer Clock In)**

Clock input to the 14-bit binary down counter.

**TIMER OUT (Timer Counter Output)**

The timer output is programmable for 4 output waveform modes. The selected output waveform can be a single pulse or a continuous pulse train, or it can be a single square wave or a continuous square wave.

 **$\overline{RD}$  (Read Strobe)**

The  $\overline{RD}$  input will strobe the addressed RAM data onto the AD bus if the  $\overline{IO}/\overline{M}$  pin is low; otherwise the content of the selected I/O port or command status registers will be strobed onto the AD bus.

 **$\overline{WR}$  (Write Strobe)**

The  $\overline{WR}$  input will strobe the available data on the AD bus into addressed RAM location or I/O ports and command status registers depending on  $\overline{IO}/\overline{M}$ .

**V<sub>CC</sub> (Power Supply)**

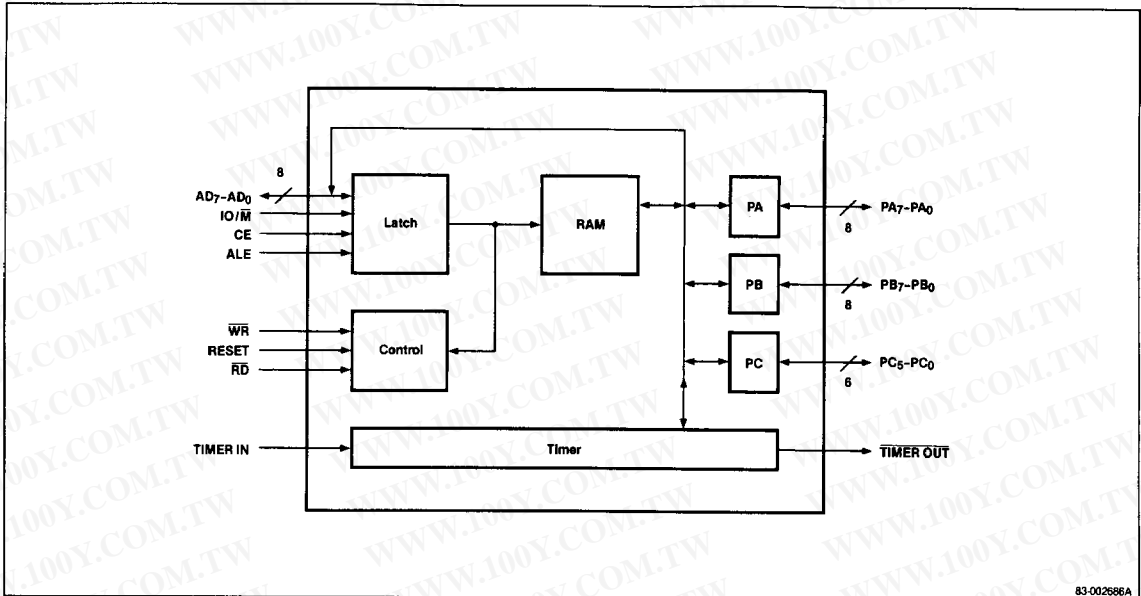
+5 V power supply input.

**V<sub>SS</sub> (Ground)**

Ground.

勝特力材料 886-3-5753170  
勝特力电子(上海) 86-21-54151736  
勝特力电子(深圳) 86-755-83298787  
[Http://www.100y.com.tw](http://www.100y.com.tw)

## Block Diagram



83-002686A

## Absolute Maximum Ratings

$T_A = 25^\circ\text{C}$

Power supply voltage, $V_{CC}$	-0.5 V to +7 V
Operating temperature, $T_{OP}$	$0^\circ\text{C}$ to $+70^\circ\text{C}$
Storage temperature, $T_{STG}$	$-65^\circ\text{C}$ to $+150^\circ\text{C}$
Power dissipation, $P_D$	1.5 W

**Comment:** Exposing the device to stresses above those listed in Absolute Maximum Ratings could cause permanent damage. The device is not meant to be operated under conditions outside the limits described in the operational sections of the specification. Exposure to absolute maximum rating conditions for extended periods may affect device reliability.

勝特力材料 886-3-5753170  
 勝特力电子(上海) 86-21-54151736  
 勝特力电子(深圳) 86-755-83298787  
[Http://www.100y.com.tw](http://www.100y.com.tw)

## DC Characteristics

$T_A = 0^\circ\text{C}$  to  $+70^\circ\text{C}$ ,  $V_{CC} = +5\text{ V} \pm 10\%$

Parameter	Symbol	Limits			Unit	Test Conditions
		Min	Typ	Max		
Input voltage low	$V_{IL}$	-0.5		0.8	V	
Input voltage high	$V_{IH}$	2.0		$V_{CC} + 0.5$	V	
Output voltage low	$V_{OL}$			0.45	V	$I_{OL} = 2.0\text{ mA}$
Output voltage high	$V_{OH}$	2.4			V	$I_{OH} = 400\text{ }\mu\text{A}$
Input leakage current	$I_{LI}$			$\pm 10$	$\mu\text{A}$	$V_I = V_{CC}$ to 0 V
Output leakage current	$I_{LO}$			$\pm 10$	$\mu\text{A}$	$0.45\text{ V} \leq V_{OUT} \leq V_{CC}$
Power supply current ( $V_{CC}$ )	$I_{CC}$			180	mA	8155 / 56, 8155-2 / 56-2
				125	mA	8155H / 56H, 8155H-2 / 56H-2
Chip enable leakage	$\mu\text{PD8155 } I_{L(CE)}$			+100	$\mu\text{A}$	$V_I = V_{CC}$ to 0 V
	$\mu\text{PD8156}$			-100	$\mu\text{A}$	$V_I = V_{CC}$ to 0 V

**AC Characteristics**
 $T_A = 0^\circ\text{C to } +70^\circ\text{C}, V_{CC} = 5\text{ V} \pm 10\%$ 

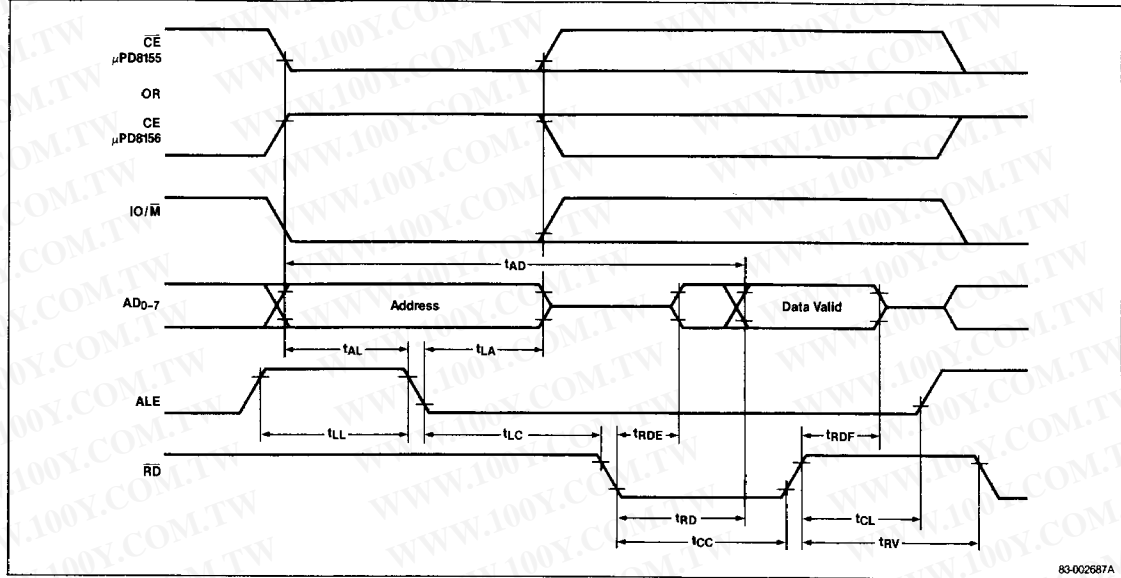
Parameter	Symbol	Limits				Unit	Test Conditions(1)
		$\mu$ PD8155/56/55H/56H		$\mu$ PD8155-2/56-2/55H-2/56H-2			
		Min	Max	Min	Max		
Address to latch setup time	$t_{AL}$	50		30		ns	
Address hold time after latch	$t_{LA}$	80		30		ns	
Latch to READ / WRITE control	$t_{LC}$	100		40		ns	
Valid data out delay from READ control	$t_{RD}$		170		140	ns	
Address stable to data out valid	$t_{AD}$		400		330	ns	
Latch enable width	$t_{LL}$	100		70		ns	
Data bus float after READ	$t_{RDF}$	0	100	0	80	ns	
READ / WRITE control to latch enable	$t_{CL}$	20		10		ns	
READ / WRITE control width	$t_{CC}$	250		200		ns	
Data in to WRITE setup time	$t_{DW}$	150		100		ns	
Data in hold time after WRITE	$t_{WD}$	0		0		ns	
Recovery time between controls	$t_{RV}$	300		200		ns	
WRITE to port output	$t_{WP}$		400		300	ns	
Port input setup time	$t_{PR}$	70		50		ns	
Port input hold time	$t_{RP}$	50		10		ns	
Strobe to buffer full	$t_{SBF}$		400		300	ns	
Strobe width	$t_{SS}$	200		150		ns	
READ to buffer empty	$t_{RBE}$		400		300	ns	
Strobe to INTR on	$t_{SI}$		400		300	ns	
READ to INTR off	$t_{RDI}$		400		300	ns	
Port setup time to strobe	$t_{PSS}$	50		0		ns	
Port hold time after strobe	$t_{PHS}$	120		100		ns	
Strobe to buffer empty	$t_{SBE}$		400		300	ns	
WRITE to buffer full	$t_{WBE}$		400		300	ns	
WRITE to INTR off	$t_{WI}$		400		300	ns	
TIMER IN to <u>TIMER OUT</u> low	$t_{TL}$		400		300	ns	
TIMER IN to <u>TIMER OUT</u> high	$t_{TH}$		400		300	ns	
Data bus enable from READ control	$t_{RDE}$	10		10		ns	
Clock TIMER IN	$t_{CYC}$	320		200		ns	
CLK rise and fall time	$t_r, t_f$		30		30	ns	
CLK pulse width	$t_1$	80		40		ns	
	$t_2$	120		70		ns	

**Note:**

(1) 150 pF load

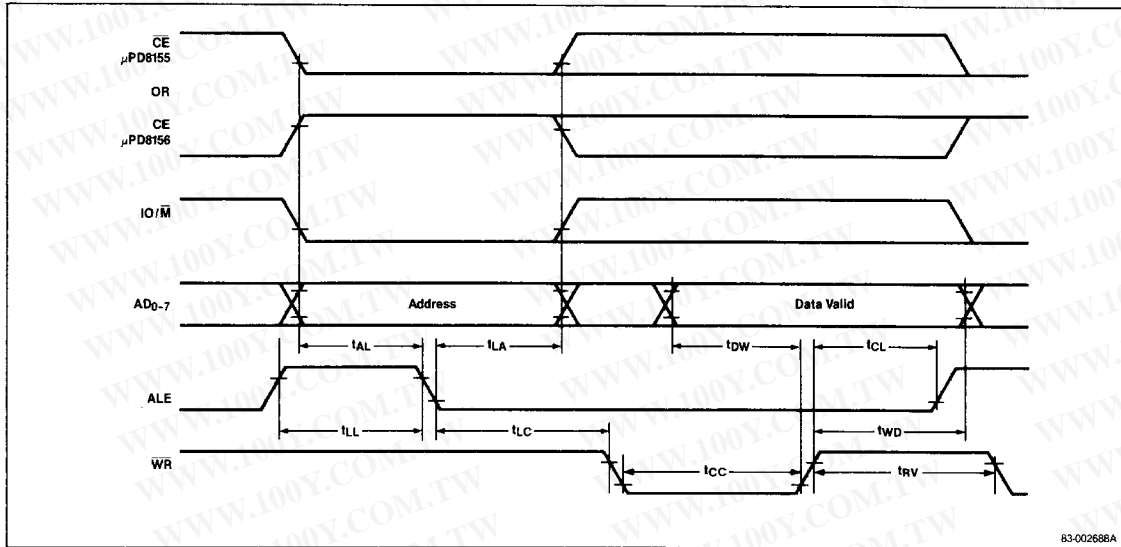
### Timing Waveforms

#### Read Cycle



83-002687A

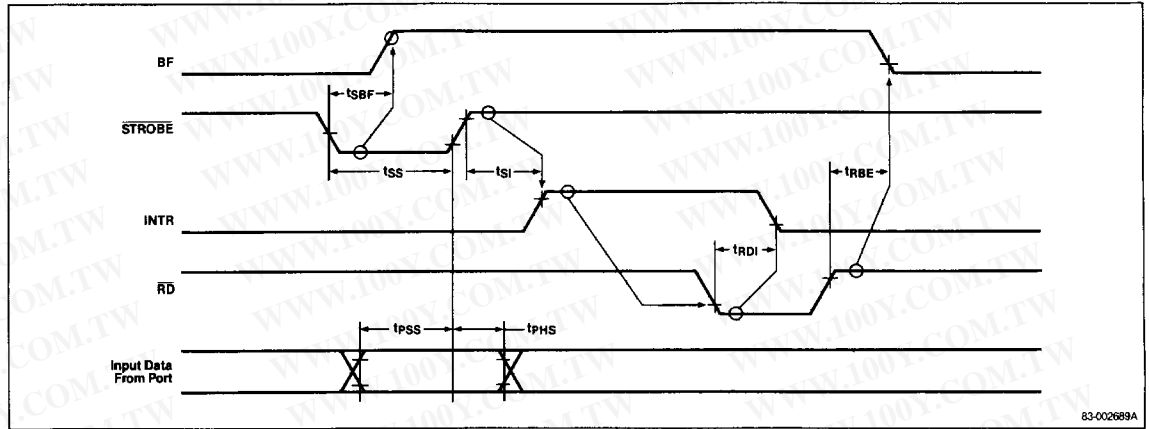
#### Write Cycle



83-002688A

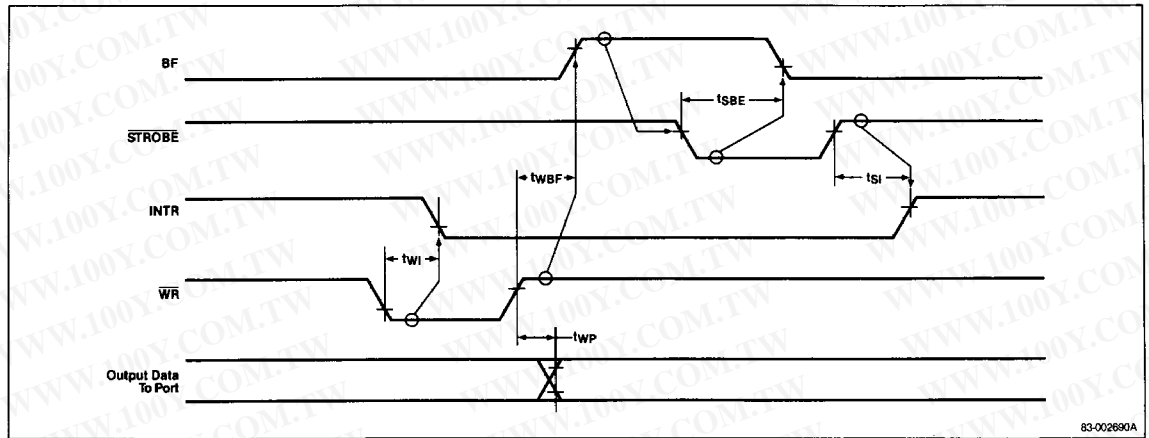
Timing Waveforms (cont)

Strobed Input Mode



83-002689A

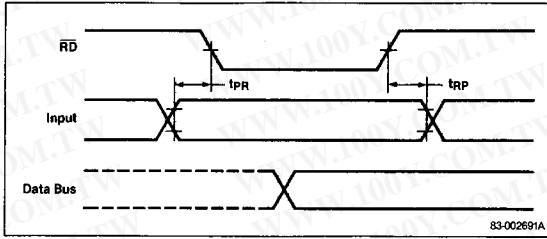
Strobed Output Mode



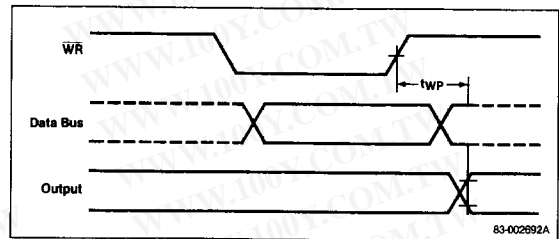
83-002689A

勝特力材料 886-3-5753170  
勝特力电子(上海) 86-21-54151736  
勝特力电子(深圳) 86-755-83298787  
[Http://www.100y.com.tw](http://www.100y.com.tw)

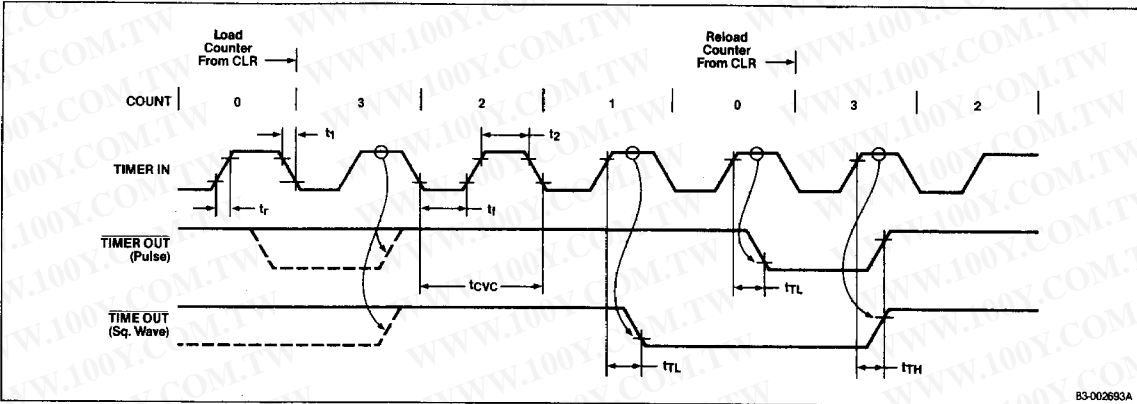
### Basic Input Mode



### Basic Output Mode



### Time Output



## Functional Description

### Command Status Register

The command status register is an 8-bit register which must be programmed before the μPD8155/56 can perform any useful functions. Its purpose is to define the mode of operation of the three ports and the timer. Programming of the device may be accomplished by writing to I/O address XXXXX000 (X = don't care) with a specific bit pattern. Reading of the command status register can be accomplished by performing an I/O read operation at address XXXXX000. The pattern returned will be a 7-bit status report of PA, PB and the timer. The bit patterns for the command status register read and write are shown in tables 1 and 2.

Table 1. Command Status Write

TM2	TM1	IEB	IEA	PC <sub>2</sub>	PC <sub>1</sub>	PB	PA
-----	-----	-----	-----	-----------------	-----------------	----	----

where:

- TM2-TM1 = Define timer mode
- IEB = Enable port B interrupt
- IEA = Enable port A interrupt
- PC<sub>2</sub>-PC<sub>1</sub> = Define port C mode
- PB/PA = Define port B/A as in or out(1)

The timer mode of operation is programmed as follows during command status write:

TM2	TM1	Timer Mode
0	0	Don't affect timer operation
0	1	Stop timer counting
1	0	Stop counting after TC
1	1	Start timer operation

Interrupt enable status is programmed as follows:

IEB/IEA	Interrupt Enable Port B/A
0	No
1	Yes

Port C may be placed in four possible (Alt) modes of operation as outlined below. The modes are selected during command status write as follows:

PC <sub>2</sub>	PC <sub>1</sub>	Port C Mode
0	0	Alt 1
0	1	Alt 3
1	0	Alt 4
1	1	Alt 2

The function of each pin of port C in the four possible modes is outlined as follows:

Pin	Alt 1	Alt 2	Alt 3(2)	Alt 4(2)
PC <sub>0</sub>	In	Out	A INTR	A INTR
PC <sub>1</sub>	In	Out	A BF	A BF
PC <sub>2</sub>	In	Out	A STB	A STB
PC <sub>3</sub>	In	Out	Out	B INTR
PC <sub>4</sub>	In	Out	Out	B BF
PC <sub>5</sub>	In	Out	Out	B STB

**Note:**

- (1) PB/PA sets port B/A mode: 0 = input; 1 = output
- (2) In Alt 3 and Alt 4 modes, the control signals are initialized as follows:

Control	Input	Output
STB (Input strobe)	Input control	Output control
INTR (Interrupt request)	Low	High
BF (Buffer full)	Low	Low

**Table 2. Command Status Read**

X	TI	INTE B	B BF	INTR B	INTE A	A BF	INTR A
---	----	-----------	---------	-----------	-----------	---------	-----------

where:

- TI = Indicates a timer interrupt. This bit is set when terminal count is reached. It is reset when starting a new count, or a hardware reset occurs, or after reading the CS register.
- INTE B/A = Port B/A interrupt. High = active.
- B/A BF = Indicates whether port B/A is full if in input mode or empty if in output mode. High = active.
- INTR B/A = Port B/A interrupt request. High = active.

The programming address summary for the status, ports, and timer are as follows:

I/O Address	Number of Bits	Function
XXXXX000	8	Command status
XXXXX001	8	PA
XXXXX010	8	PB
XXXXX011	6	PC
XXXXX100	8	Timer low
XXXXX101	8	Timer high

**Timer Operation**

The internal timer is a 14-bit binary down counter capable of operating in 4 output modes which are programmable at any time during operation. Any TTL clock meeting timer in requirements (see AC Characteristics) may be used as a time base and fed to the timer input. The timer output may be looped around and cause an interrupt or may be used as I/O control. The output modes are defined in table 3 and programmed as the two MSBs of the higher order byte of the timer count register.

**Table 3. Timer Output Modes**

M <sub>2</sub>	M <sub>1</sub>	Operation
0	0	Single square wave cycle from start to terminal count
0	1	Continuous square wave (period = count length)
1	0	Single pulse at terminal count
1	1	Continuous single pulse occurring at terminal count

Programming the timer requires two words to be written to the μPD8155/56 at I/O address XXXXX100 and XX-XXX101 for the low and high order bytes, respectively. Valid count length must be between 0002H and 3FFFH. The bit assignments for the high and low programming words of the timer count register are as follows:

**Word Timer Count Register I/O Address**

High byte	M <sub>2</sub>	M <sub>1</sub>	T <sub>13</sub>	T <sub>12</sub>	T <sub>11</sub>	T <sub>10</sub>	T <sub>9</sub>	T <sub>8</sub>	XXXXX101
Low byte	T <sub>7</sub>	T <sub>6</sub>	T <sub>5</sub>	T <sub>4</sub>	T <sub>3</sub>	T <sub>2</sub>	T <sub>1</sub>	T <sub>0</sub>	XXXXX100

The control of the timer is performed by TM2 and TM1 of the command status word.

Note that counting will be stopped by a hardware reset. A start command must be issued via the command status register to begin counting. A new mode and/or count length can be loaded while the counter is counting, but will not be used until a start command is issued.

When an external nonsynchronous event is used as the timer input, the signal must first be synchronized to the system clock. A D-type flip-flop can be used for this purpose.

勝特力材料 886-3-5753170  
 勝特力电子(上海) 86-21-54151736  
 勝特力电子(深圳) 86-755-83298787  
[Http://www.100y.com.tw](http://www.100y.com.tw)