

Low-Cost Microprocessor Supervisory Circuits with Battery Backup

General Description

The MAX703/MAX704 microprocessor (μ P) supervisory circuits reduce the complexity and number of components required for power-supply monitoring and battery control functions in μ P systems. These devices significantly improve system reliability and accuracy compared to that obtained with separate ICs or discrete components.

The MAX703/MAX704 are available in 8-pin DIP and SO packages and provide four functions:

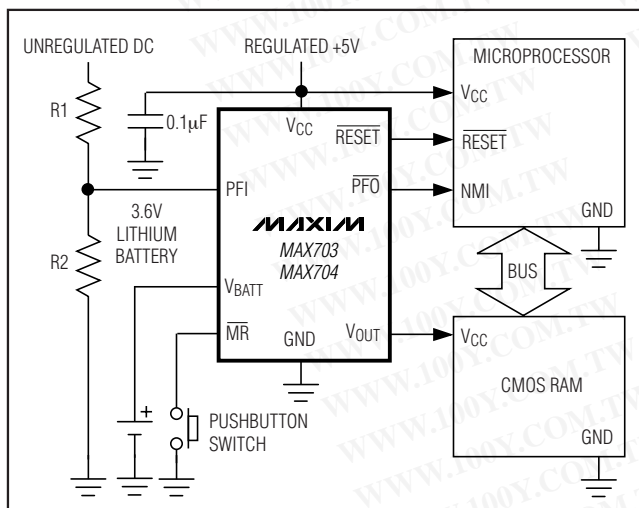
- 1) An active-low reset during power-up, power-down, and brownout conditions.
- 2) Battery-backup switching for CMOS RAM, CMOS μ Ps, or other low-power logic circuitry.
- 3) A 1.25V threshold detector for power-fail warning, low-battery detection, or for monitoring a power supply other than +5V.
- 4) An active-low manual reset input.

The MAX703 and MAX704 differ only in their supply-voltage monitor levels. The MAX703 generates a reset when the supply drops below 4.65V, while the MAX704 generates a reset below 4.40V.

Applications

Computers
 Controllers
 Intelligent Instruments
 Automotive Systems
 Critical μ P Power Monitoring

Typical Operating Circuit



Features

- ◆ Battery-Backup Power Switching
- ◆ Precision Supply-Voltage Monitor
4.65V (MAX703)
4.40V (MAX704)
- ◆ 200ms Reset Pulse Width
- ◆ Debounced TTL/CMOS-Compatible Manual Reset Input
- ◆ 200 μ A Quiescent Current
- ◆ 50nA Quiescent Current in Battery-Backup Mode
- ◆ Voltage Monitor for Power-Fail or Low-Battery Warning
- ◆ 8-Pin DIP and SO Packages
- ◆ Guaranteed $\overline{\text{RESET}}$ Assertion to $V_{CC} = 1V$

Ordering Information

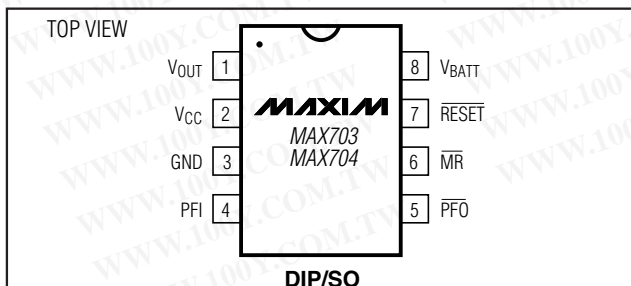
PART	TEMP RANGE	PIN-PACKAGE
MAX703C/D	0°C to +70°C	Dice*
MAX703CPA	0°C to +70°C	8 PDIP
MAX703CSA	0°C to +70°C	8 SO
MAX703EPA	-40°C to +85°C	8 PDIP
MAX703ESA	-40°C to +85°C	8 SO
MAX703MJA	-55°C to +125°C	8 CERDIP**
MAX704C/D	0°C to +70°C	Dice*
MAX704CPA	0°C to +70°C	8 PDIP
MAX704CSA	0°C to +70°C	8 SO
MAX704EPA	-40°C to +85°C	8 PDIP
MAX704ESA	-40°C to +85°C	8 SO
MAX704MJA	-55°C to +125°C	8 CERDIP**

*Dice are tested at $T_A = +25^\circ\text{C}$ only.

**Contact factory for availability and processing to MIL-STD-883.

Devices in PDIP and SO packages are available in both leaded and lead-free packaging. Specify lead free by adding the + symbol at the end of the part number when ordering. Lead free not available for CERDIP package.

Pin Configuration



Low-Cost Microprocessor Supervisory Circuits with Battery Backup

ABSOLUTE MAXIMUM RATINGS

Terminal Voltage (with respect to GND)	Rate-of-Rise V_{BATT} , V_{CC}	100V/ μ s
V_{CC}	Operating Temperature Range	
V_{BATT}	C Suffix	0°C to +70°C
All Other Inputs (Note 1)	E Suffix	-40°C to +85°C
Input Current	M Suffix	-55°C to +125°C
V_{CC}	Continuous Power Dissipation ($T_A = +70^\circ\text{C}$)	
V_{BATT}	8-Pin PDIP (derated 9.09mW/ $^\circ\text{C}$ above +70°C)	727mW
GND	8-Pin SO (derated 5.88mW/ $^\circ\text{C}$ above +70°C)	471mW
Output Current	8-Pin CERDIP (derated 8.00mW/ $^\circ\text{C}$ above +85°C)	640mW
V_{OUT}	Storage Temperature Range	-65°C to +160°C
All Other Outputs	Lead Temperature (soldering, 10s)	+300°C

Note 1: V_{CB} is the greater of V_{CC} and V_{BATT} . The input voltage limits on PFI and $\overline{\text{MR}}$ may be exceeded if the current into these pins is limited to less than 10mA.

Stresses beyond those listed under "Absolute Maximum Ratings" may cause permanent damage to the device. These are stress ratings only, and functional operation of the device at these or any other conditions beyond those indicated in the operational sections of the specifications is not implied. Exposure to absolute maximum rating conditions for extended periods may affect device reliability.

ELECTRICAL CHARACTERISTICS

($V_{CC} = +4.75\text{V}$ to $+5.5\text{V}$ for MAX703, $V_{CC} = +4.5\text{V}$ to $+5.5\text{V}$ for MAX704, $V_{BATT} = 2.8\text{V}$, $T_A = T_{MIN}$ to T_{MAX} , unless otherwise noted.)

PARAMETER	SYMBOL	CONDITIONS	MIN	TYP	MAX	UNITS
Operating Voltage Range V_{CC} , V_{BATT}		(Note 2)	0		5.5	V
Supply Current (Excluding I_{OUT})	I_{SUPPLY}	MAX70_C		200	350	μA
		MAX70_E/M		200	500	μA
I_{SUPPLY} in Battery-Backup Mode (Excluding I_{OUT})		$V_{CC} = 0\text{V}$, $V_{BATT} = 2.8\text{V}$		0.05	1.0	μA
		$T_A = +25^\circ\text{C}$			5.0	μA
		$T_A = T_{MIN}$ to T_{MAX}				μA
V_{BATT} Standby Current (Note 3)		$5.5\text{V} > V_{CC} > V_{BATT} + 0.2\text{V}$				μA
		$T_A = +25^\circ\text{C}$	-0.10		+0.02	μA
		$T_A = T_{MIN}$ to T_{MAX}	-1.00		+0.02	μA
V_{OUT} Output		$I_{OUT} = 5\text{mA}$	$V_{CC} - 0.05$	$V_{CC} - 0.025$		V
		$I_{OUT} = 50\text{mA}$	$V_{CC} - 0.5$	$V_{CC} - 0.25$		V
V_{OUT} in Battery-Backup Mode		$I_{OUT} = 250\mu\text{A}$, $V_{CC} < V_{BATT} - 0.2\text{V}$	$V_{BATT} - 0.1$	$V_{BATT} - 0.02$		V
Battery Switch Threshold ($V_{CC} - V_{BATT}$)		$V_{CC} < V_{RST}$				mV
		Power-up		20		mV
		Power-down		-20		mV
Battery Switchover Hysteresis				40		mV
$\overline{\text{RESET}}$ Threshold	V_{RST}	MAX703	4.50	4.65	4.75	V
		MAX704	4.25	4.40	4.50	V
$\overline{\text{RESET}}$ Threshold Hysteresis				40		mV
$\overline{\text{RESET}}$ Pulse Width	t_{RST}		140	200	280	ms
$\overline{\text{RESET}}$ Output Voltage	V_{OH}	$I_{SOURCE} = 800\mu\text{A}$	$V_{CC} - 1.5$			V
	V_{OL}	$I_{SINK} = 3.2\text{mA}$			0.4	V
		MAX70_C, $V_{CC} = 1\text{V}$, V_{CC} falling, $V_{BATT} = 0\text{V}$, $I_{SINK} = 50\mu\text{A}$			0.3	V
		MAX70_E/M, $V_{CC} = 1.2\text{V}$, V_{CC} falling, $V_{BATT} = 0\text{V}$, $I_{SINK} = 100\mu\text{A}$			0.3	V

Low-Cost Microprocessor Supervisory Circuits with Battery Backup

MAX703/MAX704

ELECTRICAL CHARACTERISTICS (continued)

($V_{CC} = +4.75V$ to $+5.5V$ for MAX703, $V_{CC} = +4.5V$ to $+5.5V$ for MAX704, $V_{BATT} = 2.8V$, $T_A = T_{MIN}$ to T_{MAX} , unless otherwise noted.)

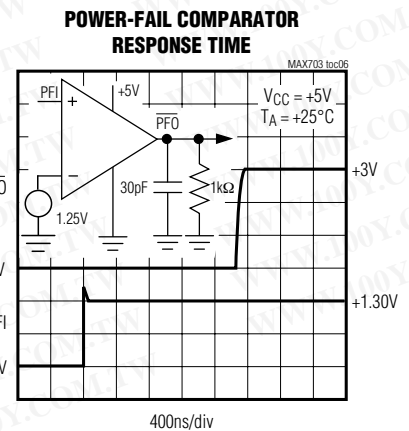
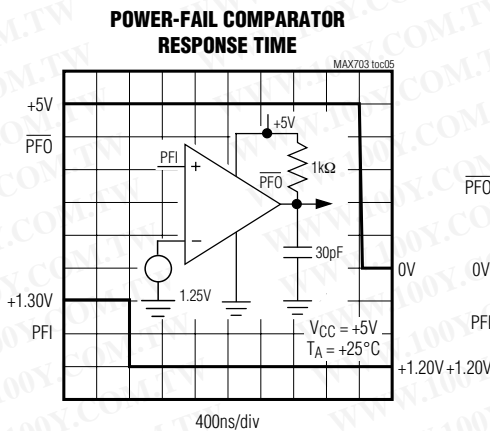
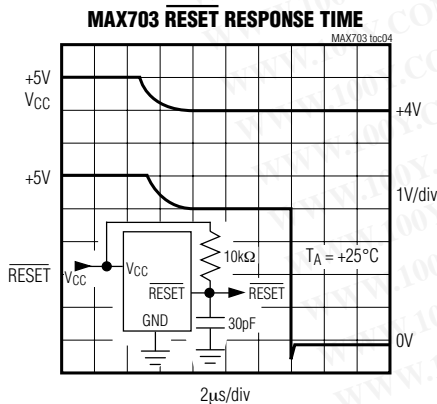
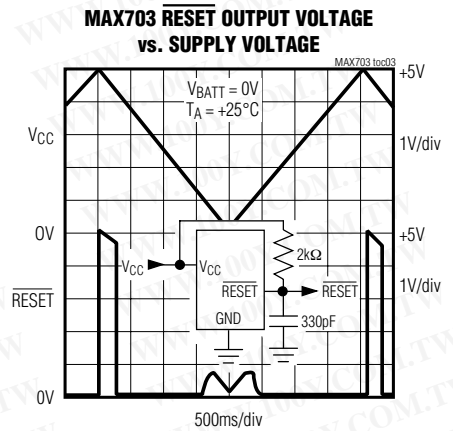
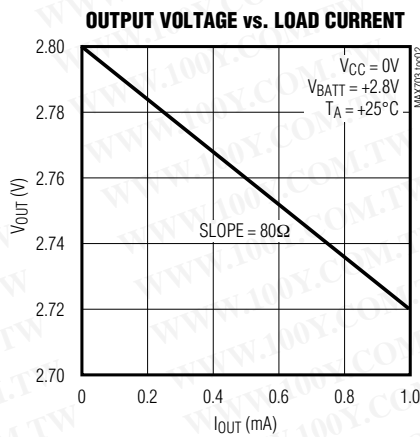
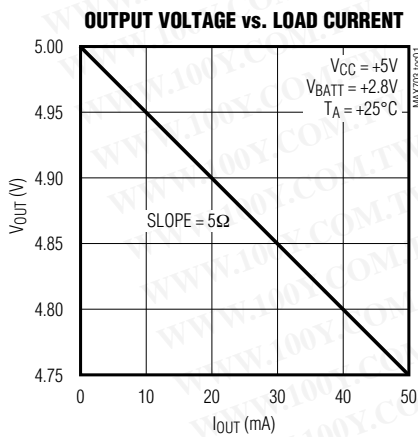
PARAMETER	SYMBOL	CONDITIONS	MIN	TYP	MAX	UNITS
\overline{MR} Input Threshold	V_{IL}	Low			0.8	V
	V_{IH}	High	2.0			
\overline{MR} Pulse Width	t_{MR}		150			ns
\overline{MR} to RESET Delay	t_{MD}				250	ns
\overline{MR} Pullup Current		$\overline{MR} = 0V$	100	250	600	μA
PFI Input Threshold		$V_{CC} = 5V$	1.20	1.25	1.30	V
PFI Input Current			-25	+0.01	+25	nA
\overline{PFO} Output Voltage	V_{OH}	$I_{SOURCE} = 800\mu A$	$V_{CC} - 1.5$			V
	V_{OL}	$I_{SINK} = 3.2mA$	0.4			

Note 2: Either V_{CC} or V_{BATT} can go to 0V if the other is greater than 2.0V.

Note 3: “-” = battery-charging current, “+” = battery-discharging current.

Typical Operating Characteristics

($V_{CC} = +5V$, $V_{BATT} = 2.8V$, $T_A = +25^\circ C$, unless otherwise noted.)



Low-Cost Microprocessor Supervisory Circuits with Battery Backup

Pin Description

PIN	NAME	FUNCTION
1	V _{OUT}	Supply Output for CMOS RAM. When V _{CC} is above the reset threshold, V _{OUT} connects to V _{CC} through a p-channel MOSFET switch. When V _{CC} is below the reset threshold, the higher of V _{CC} or V _{BATT} is connected to V _{OUT} .
2	V _{CC}	+5V Supply Input
3	GND	Ground
4	PFI	Power-Fail Comparator Input. When PFI is less than 1.25V, P _F \bar{O} goes low; otherwise P _F \bar{O} remains high. Connect PFI to GND or V _{CC} when not used.
5	P _F \bar{O}	Power-Fail Comparator Output. It goes low and sinks current when PFI is less than 1.25V; otherwise P _F \bar{O} remains high.
6	$\bar{M}R$	Manual Reset Input. Generates a reset pulse when pulled below 0.8V. This active-low input is TTL/CMOS compatible and can be shorted to ground with a switch. It has an internal 250 μ A pullup current. Leave floating when not used.
7	RESET	Reset Output. Remains low while V _{CC} is below the reset threshold (4.65V for the MAX703, 4.40V for the MAX704). It remains low for 200ms after V _{CC} rises above the reset threshold (Figure 2) or $\bar{M}R$ goes from low to high.
8	V _{BATT}	Backup-Battery Input. When V _{CC} falls below the reset threshold, V _{BATT} is switched to V _{OUT} if V _{BATT} is 20mV greater than V _{CC} . When V _{CC} rises 20mV above V _{BATT} , V _{CC} is switched to V _{OUT} . The 40mV hysteresis prevents repeated switching if V _{CC} falls slowly.

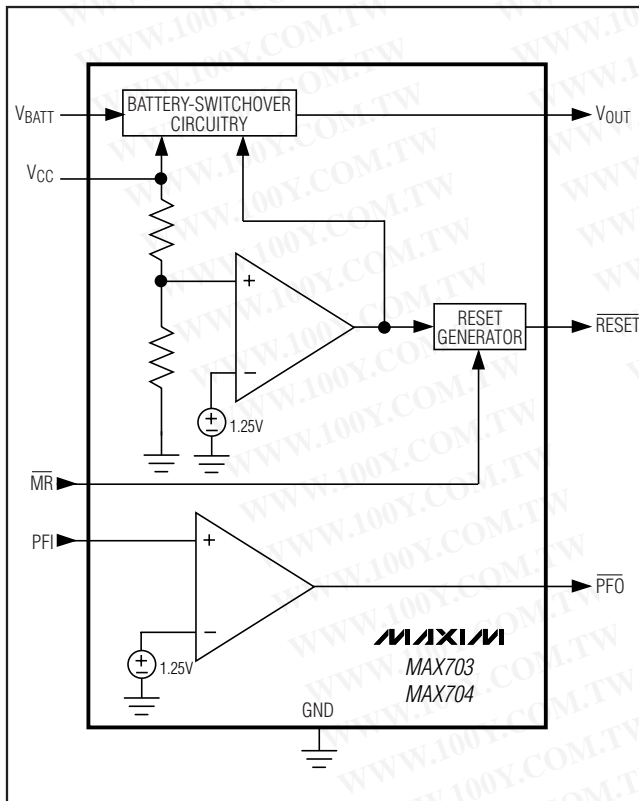


Figure 1. Block Diagram

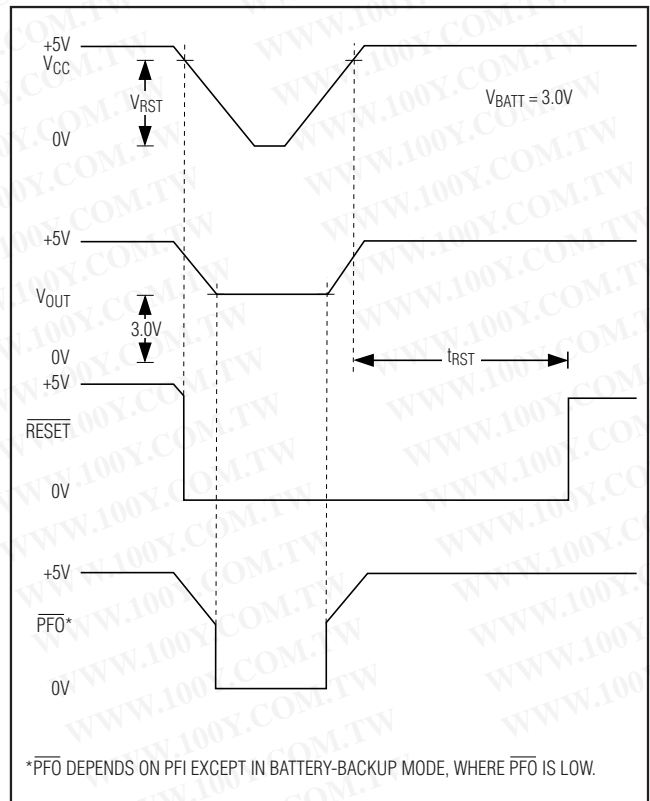


Figure 2. Timing Diagram

Low-Cost Microprocessor Supervisory Circuits with Battery Backup

Detailed Description

RESET Output

A μP 's reset input starts the μP in a known state. Whenever the μP is in an unknown state, it should be held in reset. The MAX703/MAX704 assert reset when V_{CC} is low, preventing code-execution errors during power-up, power-down, or brownout conditions.

When V_{BATT} is 2V or more, $\overline{\text{RESET}}$ is always valid, irrespective of V_{CC} . On power-up, as V_{CC} rises, $\overline{\text{RESET}}$ remains low. When V_{CC} exceeds the reset threshold, an internal timer holds $\overline{\text{RESET}}$ low for a time equal to the reset pulse width (typically 200ms); after this interval, $\overline{\text{RESET}}$ goes high (Figure 2). If a power-fail or brownout condition occurs (i.e., V_{CC} drops below the reset threshold), $\overline{\text{RESET}}$ is asserted. As long as V_{CC} remains below the reset threshold, the internal timer is continually restarted, causing the $\overline{\text{RESET}}$ output to remain low. Thus, a brownout condition that interrupts a previously initiated reset pulse causes an additional 200ms delay from the end of the last interruption.

Power-Fail Comparator

The PFI input is compared to an internal reference. If PFI is less than 1.25V, $\overline{\text{PFO}}$ goes low. The power-fail comparator can be used as an undervoltage detector to signal a failing power supply. In the *Typical Operating Circuit*, an external voltage-divider at PFI is used to monitor the unregulated DC voltage from which the regulated +5V supply is derived.

The voltage-divider can be chosen so the voltage at PFI falls below 1.25V just before the +5V regulator drops out. $\overline{\text{PFO}}$ is then used as an interrupt to prepare the μP for power-down.

To conserve power, the power-fail comparator is turned off and $\overline{\text{PFO}}$ is forced low when the MAX703/MAX704 enter battery-backup mode.

Backup-Battery Switchover

In the event of a brownout or power failure, it may be necessary to preserve the contents of RAM. With a backup battery installed at V_{BATT} , the MAX703/MAX704 automatically switch RAM to backup power when V_{CC} fails.

As long as V_{CC} exceeds the reset threshold, V_{CC} connects to V_{OUT} through a 5Ω p-channel MOSFET power switch. Once V_{CC} falls below the reset threshold, $\overline{\text{RESET}}$ goes low and V_{CC} or V_{BATT} (whichever is higher) switches to V_{OUT} . Note that V_{BATT} switches to V_{OUT} through an 80Ω switch only if V_{CC} is below the reset-threshold voltage and V_{BATT} is greater than V_{CC} . When V_{CC} exceeds the reset threshold, it is connected to the MAX703/MAX704 substrate, regardless of the voltage

applied to V_{BATT} (Figure 3). During this time, diode D1 (between V_{BATT} and the substrate) conducts current from V_{BATT} to V_{CC} if $V_{BATT} \geq (V_{CC} + 0.6\text{V})$.

When the battery-backup mode is activated, V_{BATT} connects to V_{OUT} . In this mode, the substrate connects to V_{BATT} and internal circuitry is powered from the battery (Figure 3). Table 1 shows the status of the MAX703/MAX704 inputs and outputs in battery-backup mode.

When V_{CC} is below, but within, 1V of V_{BATT} , the internal switchover comparator draws about $30\mu\text{A}$. Once V_{CC}

Table 1. Input and Output Status in Battery-Backup Mode

SIGNAL	STATUS
V_{CC}	Disconnected from V_{OUT} .
V_{OUT}	Connected to V_{BATT} through an internal 80Ω p-channel MOSFET switch.
V_{BATT}	Connected to V_{OUT} . Supply current is $< 1\mu\text{A}$ when $V_{CC} < (V_{BATT} - 1\text{V})$.
$\overline{\text{RESET}}$	Logic-low.
PFI	Power-fail comparator is disabled.
$\overline{\text{PFO}}$	Logic-low.
MR	Disabled.

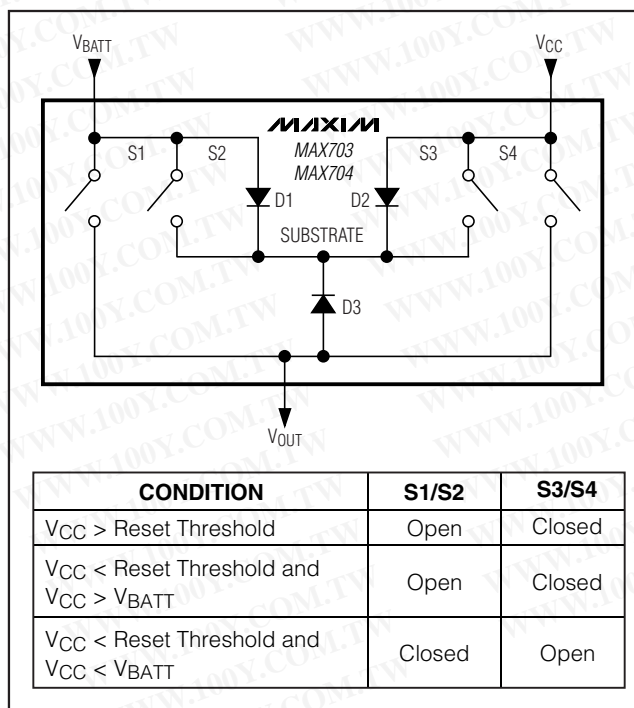


Figure 3. Battery-Switchover Block Diagram

Low-Cost Microprocessor Supervisory Circuits with Battery Backup

drops to more than 1V below V_{BATT} , the internal switchover comparator shuts off and the supply current falls to less than 1 μ A.

Manual Reset

The manual reset input (\overline{MR}) allows \overline{RESET} to be activated by a pushbutton switch. The switch is effectively debounced by the 140ms minimum reset pulse width. Because it is TTL/CMOS compatible, \overline{MR} can be driven by an external logic line.

Applications Information

Using a SuperCap[®] as a Backup Power Source

SuperCaps are capacitors with extremely high capacitance values (on the order of 0.1 Farad). When using SuperCaps, if V_{CC} exceeds the MAX703/MAX704 reset thresholds (4.65V and 4.40V, respectively), V_{BATT} may not exceed V_{CC} by more than 0.6V. Thus, with a 5% tolerance on V_{CC} , V_{BATT} should not exceed $V_{CC}(\text{min}) + 0.6V = 5.35V$. Similarly, with a 10% tolerance on V_{CC} , V_{BATT} should not exceed 5.1V.

Figure 4's SuperCap circuit uses the MAX703 with a $\pm 5\%$ tolerance voltage supply. In this circuit, the SuperCap rapidly charges to within a diode drop of V_{CC} . However, the diode leakage current with trickle-charge the SuperCap voltage to V_{CC} . If $V_{BATT} = 5.25V$ and the power is suddenly removed and then reapplied with $V_{CC} = 4.75V$, $V_{BATT} - V_{CC}$ does not exceed the allowable 0.6V difference voltage.

Figure 5's circuit uses the MAX704 with a $\pm 10\%$ tolerance voltage supply. Note that if $V_{CC} = 5.5V$ and $V_{BATT} \leq 5.1V$, the power can be suddenly removed and reapplied with $V_{CC} = 4.5V$, and $V_{BATT} - V_{CC}$ will not exceed the allowable 0.6V voltage difference.

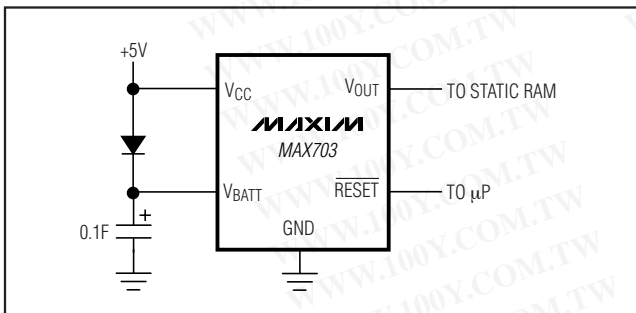


Figure 4. Using a SuperCap as a Backup Power Source with a MAX703 and a +5V $\pm 5\%$ Supply

SuperCap is a registered trademark of Bankor Industries.

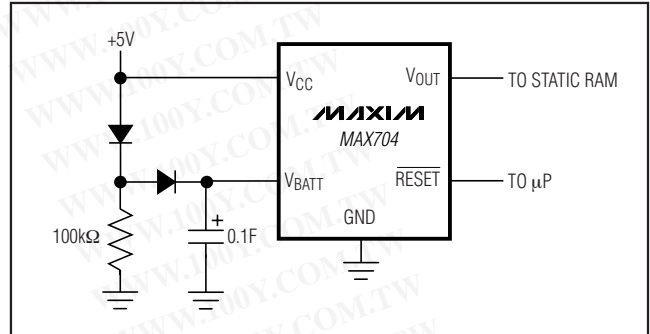


Figure 5. Using a SuperCap as a Backup Power Source with the MAX704 and a +5V $\pm 10\%$ Supply

Batteries and Power Supplies as Backup Power Sources

Lithium batteries work well as backup batteries because they have very low self-discharge rates and high-energy density. Single lithium batteries with open-circuit voltages of 3.0V to 3.6V are ideal for use with the MAX703/MAX704. Batteries with an open-circuit voltage less than the minimum reset threshold plus 0.3V can be directly connected to the MAX703/MAX704 V_{BATT} input with no additional circuitry (see the *Typical Operating Circuit*).

However, batteries with open-circuit voltages greater than the reset threshold plus 0.3V CANNOT be used as backup batteries, since they source current into the substrate through diode D1 (Figure 3) when V_{CC} is close to the reset threshold.

Table 2. Allowable Backup-Battery Voltages

PART	MAXIMUM BACKUP-BATTERY VOLTAGE (V)
MAX703	4.80
MAX704	4.55

Using the MAX703/MAX704 without a Backup Power Source

If a backup power source is not used, ground V_{BATT} and connect V_{CC} to V_{OUT} . A direct connection to V_{CC} eliminates any voltage drop across the internal switch, which would otherwise appear at V_{OUT} . Alternatively, use the MAX705–MAX708, which do not have battery-backup capabilities.

Low-Cost Microprocessor Supervisory Circuits with Battery Backup

Ensuring a Valid RESET Output Down to VCC = 0V

When VCC falls below 1V, the MAX703/MAX704 RESET output no longer sinks current; it becomes an open circuit. High-impedance CMOS logic inputs can drift to undetermined voltages if left as open circuits. If a pull-down resistor is added to the RESET pin as shown in Figure 6, any stray charge or leakage currents will flow to ground, holding RESET low. Resistor value R1 is not critical. It should be about 100kΩ, which is large enough not to load RESET and small enough to pull RESET to ground.

Replacing the Backup Battery

The backup battery can be removed while VCC remains valid without triggering a reset. As long as VCC stays above the reset threshold, battery-backup mode cannot

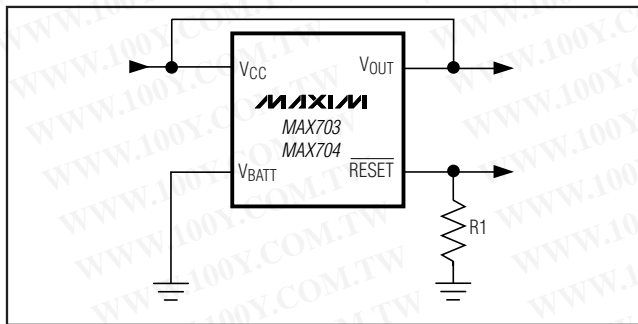


Figure 6. RESET Valid to Ground Circuit

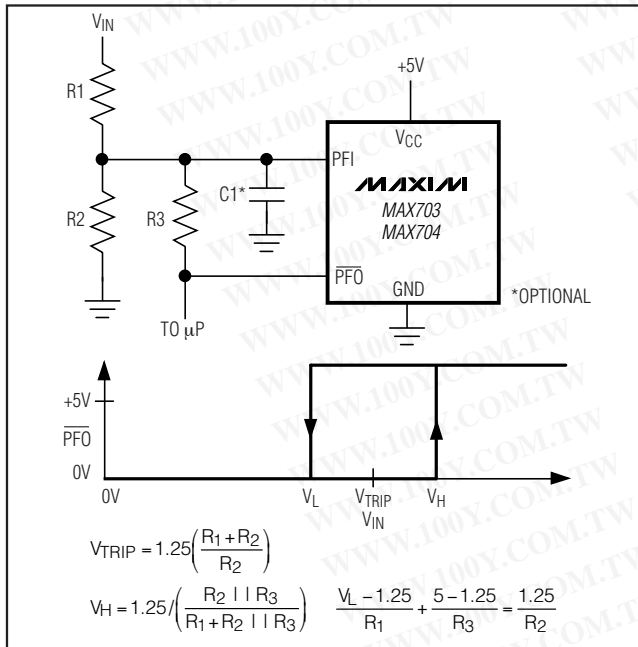


Figure 7. Adding Hysteresis to the Power-Fail Comparator

be entered. This is an improvement on switchover ICs that initiate a reset when VCC and VBATT are at or near the same voltage level (regardless of the reset threshold voltage). If the voltage on the unconnected VBATT pin floats up toward VCC, this condition alone cannot initiate a reset when using the MAX703/MAX704.

Adding Hysteresis to the Power-Fail Comparator

Hysteresis adds a noise margin to the power-fail comparator and prevents repeated triggering of PFO when VIN is near the power-fail comparator trip point. Figure 7 shows how to add hysteresis to the power-fail comparator. Select the ratio of R1 and R2 so that PFI sees 1.25V when VIN falls to the desired trip point (VTRIP). Resistor R3 adds hysteresis. It will typically be an order of magnitude greater than R1 or R2. The current through R1 and R2 should be at least 1μA to ensure that the 25nA (max) PFI input current does not shift the trip point. R3 should be larger than 10kΩ to prevent it from loading down the PFO pin. Capacitor C1 adds additional noise rejection.

Monitoring a Negative Voltage

The power-fail comparator can be used to monitor a negative supply voltage using Figure 8's circuit. When the negative supply is valid, PFO is low. When the negative supply voltage droops, PFO goes high. This circuit's accuracy is affected by the PFI threshold tolerance, the VCC voltage, and resistors R1 and R2.

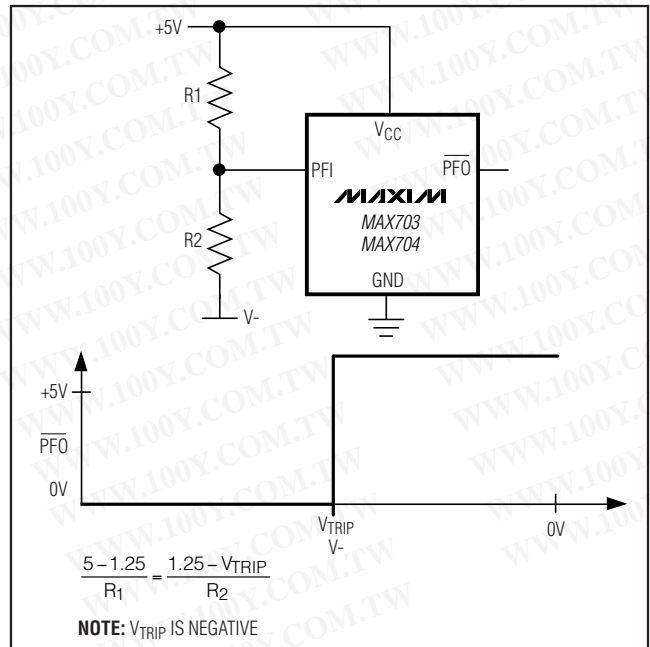


Figure 8. Monitoring a Negative Voltage

Low-Cost Microprocessor Supervisory Circuits with Battery Backup

Using the Power-Fail Comparator to Assert Reset

In addition to asserting reset at the V_{CC} reset threshold voltage, reset can also be asserted at the PFI input threshold voltage. Connect PFO to MR to initiate a reset

pulse when the monitored supply drops below a user-specified threshold or when V_{CC} falls below the reset threshold. For additional noise rejection, place a capacitor between PFI and GND.

Table 3. Maxim Microprocessor Supervisory Products

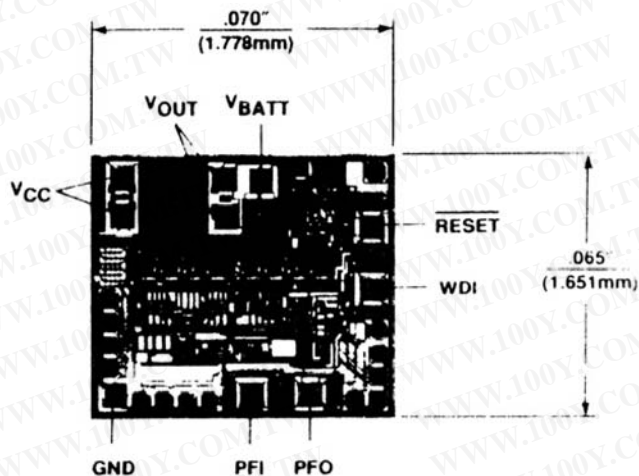
PART	NOMINAL RESET THRESHOLD (V)	MINIMUM RESET PULSE WIDTH (ms)	NOMINAL WATCH-DOG TIMEOUT PERIOD (s)	BACKUP-BATTERY SWITCH	\overline{CE} WRITE PROTECT	POWER-FAIL COMPARATOR	MANUAL RESET INPUT	WATCH-DOG INPUT	LOW-LINE OUTPUT	ACTIVE-HIGH RESET	BATT ON OUTPUT
MAX690A	4.65	140	1.6	Yes	No	Yes	No	No	No	No	No
MAX691A	4.65	140/Adj.	1.6/Adj.	Yes	Yes	Yes	No	Yes	Yes	Yes	Yes
MAX692A	4.40	140	1.6	Yes	No	Yes	No	No	No	No	No
MAX693A	4.40	140/Adj.	1.6/Adj.	Yes	Yes	Yes	No	Yes	Yes	Yes	Yes
MAX696	Adj.	35/Adj.	1.6/Adj.	Yes	No	Yes	No	Yes	Yes	Yes	Yes
MAX697	Adj.	35/Adj.	1.6/Adj.	No	Yes	Yes	No	Yes	Yes	Yes	No
MAX700	4.65/Adj.	200	—	No	No	No	Yes	No	No	Yes	No
MAX703	4.65	140	—	Yes	No	Yes	Yes	No	No	No	No
MAX704	4.40	140	—	Yes	No	Yes	Yes	No	No	No	No
MAX705	4.65	140	1.6	No	No	Yes	Yes	Yes	No	No	No
MAX706	4.40	140	1.6	No	No	Yes	Yes	Yes	No	No	No
MAX707	4.65	140	—	No	No	Yes	Yes	No	No	Yes	No
MAX708	4.40	140	—	No	No	Yes	Yes	No	No	Yes	No
MAX791	4.65	140	1.0	Yes	Yes	Yes	Yes	Yes	Yes	Yes	Yes
MAX1232	4.50/4.75	250	0.15/0.60/ 1.2	No	No	No	Yes	No	No	Yes	No
MAX1259	—	—	—	Yes	No	Yes	No	No	No	No	No

Low-Cost Microprocessor Supervisory Circuits with Battery Backup

Chip Topography

Package Information

For the latest package outline information, go to www.maxim-ic.com/packages.



SUBSTRATE MUST BE LEFT UNCONNECTED
TRANSISTOR COUNT: 573

MAX703/MAX704

Maxim cannot assume responsibility for use of any circuitry other than circuitry entirely embodied in a Maxim product. No circuit patent licenses are implied. Maxim reserves the right to change the circuitry and specifications without notice at any time.

Maxim Integrated Products, 120 San Gabriel Drive, Sunnyvale, CA 94086 408-737-7600 9